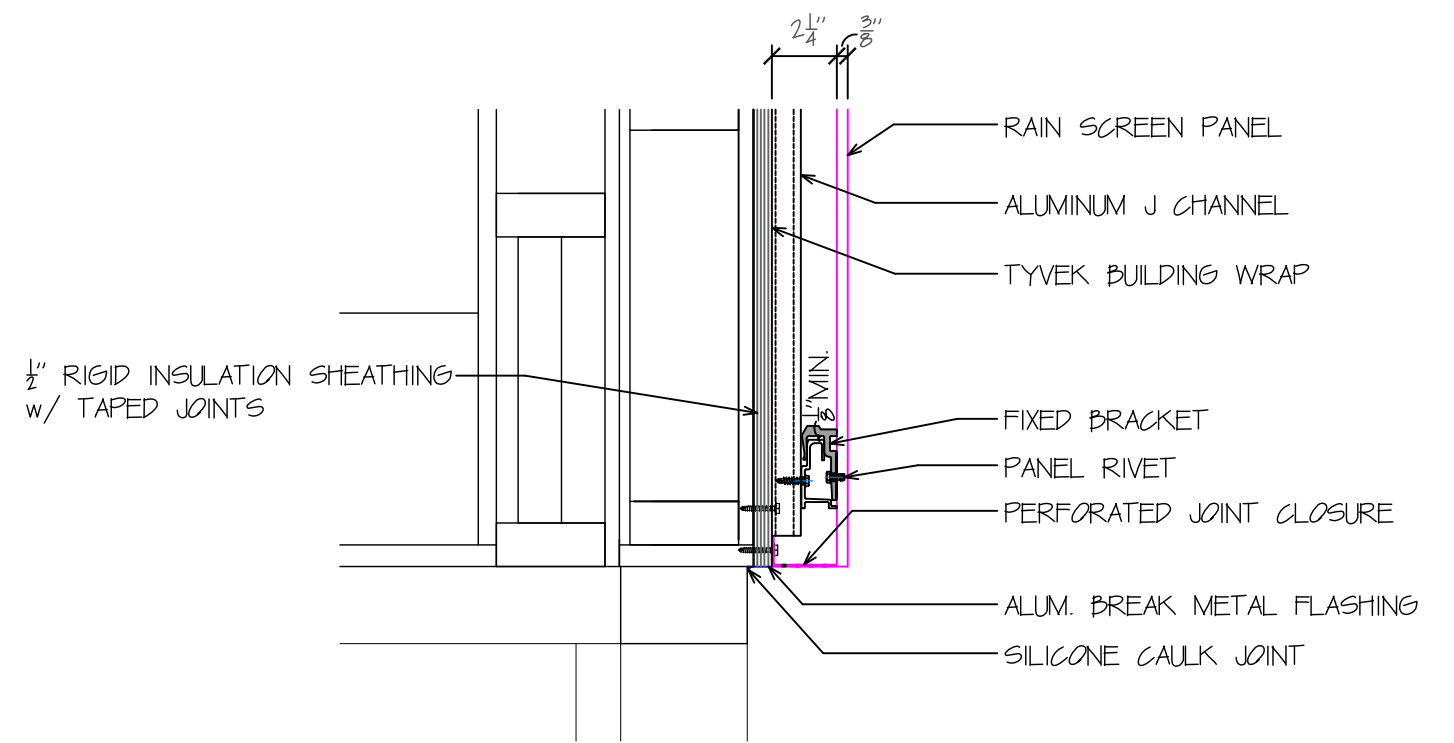


3 WINDOW SILL DETAIL

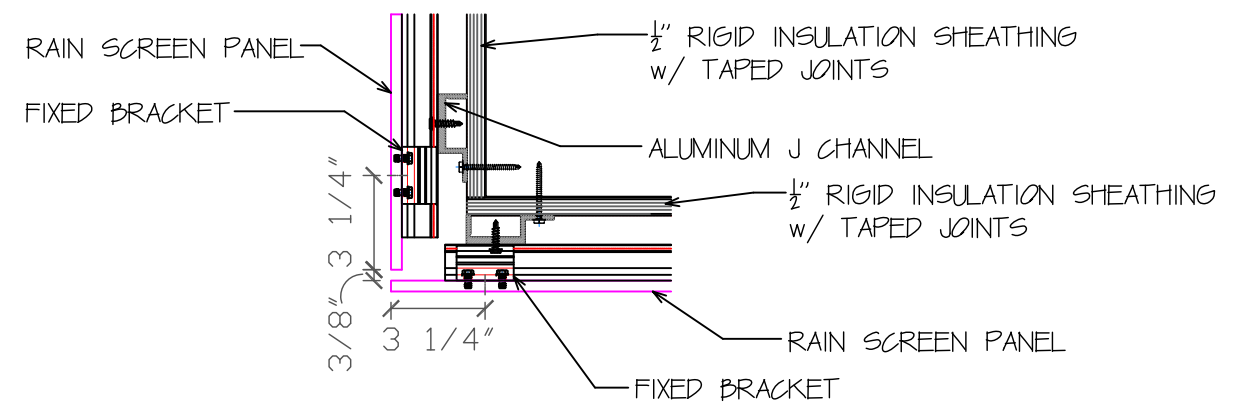
1/2" = 1'-0"

NOTE:  
INSULATING WALL SHEATHING TO BE ANCHORED TO THE  
EXISTING BUILDING w/ MASONRY ANCHORS SPACED EVERY  
12" EACH WAY; FOLLOW MANUFACTURER SPECIFICATIONS;  
SHIMMING MAY BE REQUIRED TO INSTALL PLUMB AND  
REDUCE IN/OUT WAVE WHEN ATTACHED TO SUBSTRATE.



6 BOTTOM TRANSITION CLOSURE

1/2" = 1'-0"



7 OUTSIDE CORNER DETAIL

1/2" = 1'-0"