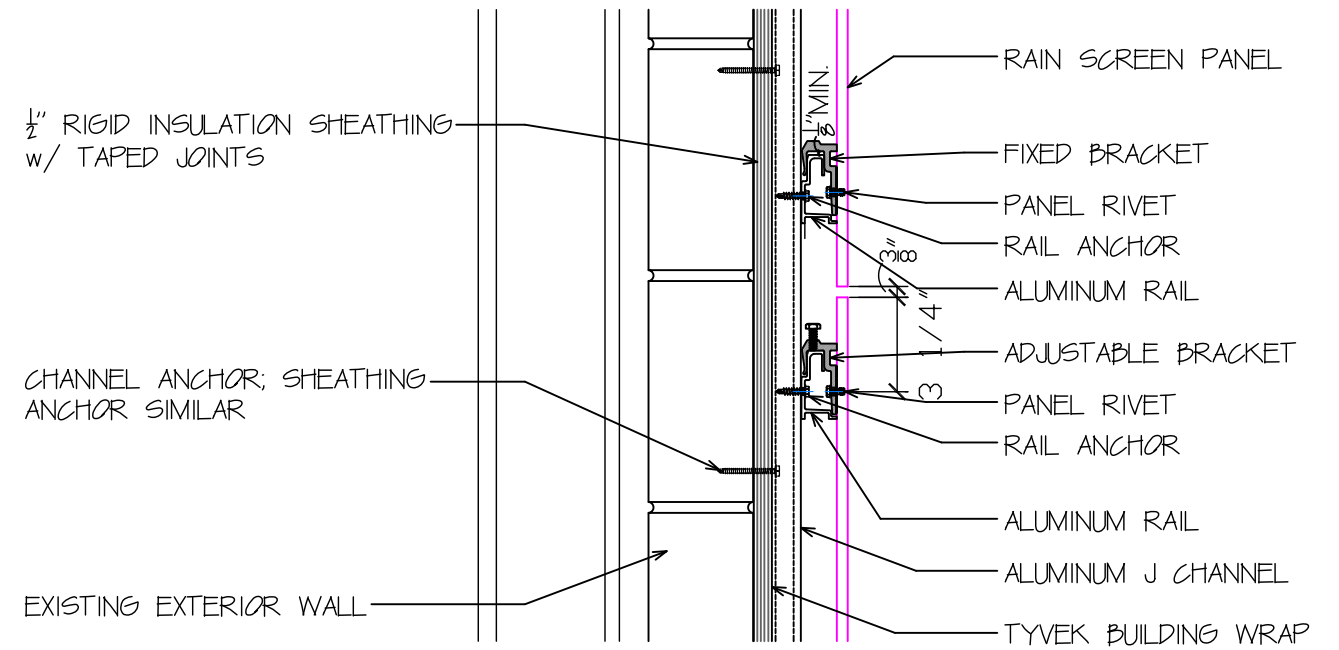


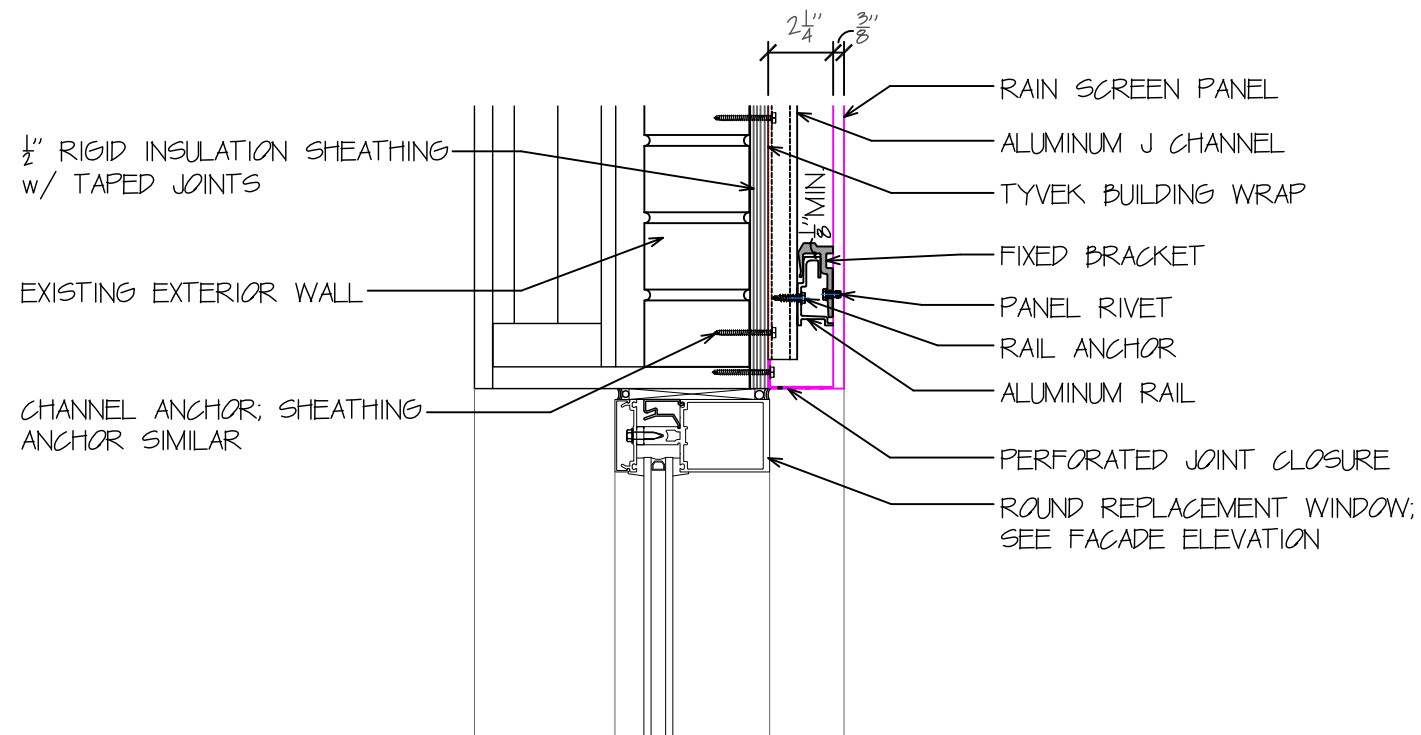
1 PARAPET DETAIL

1/2" = 1'-0"



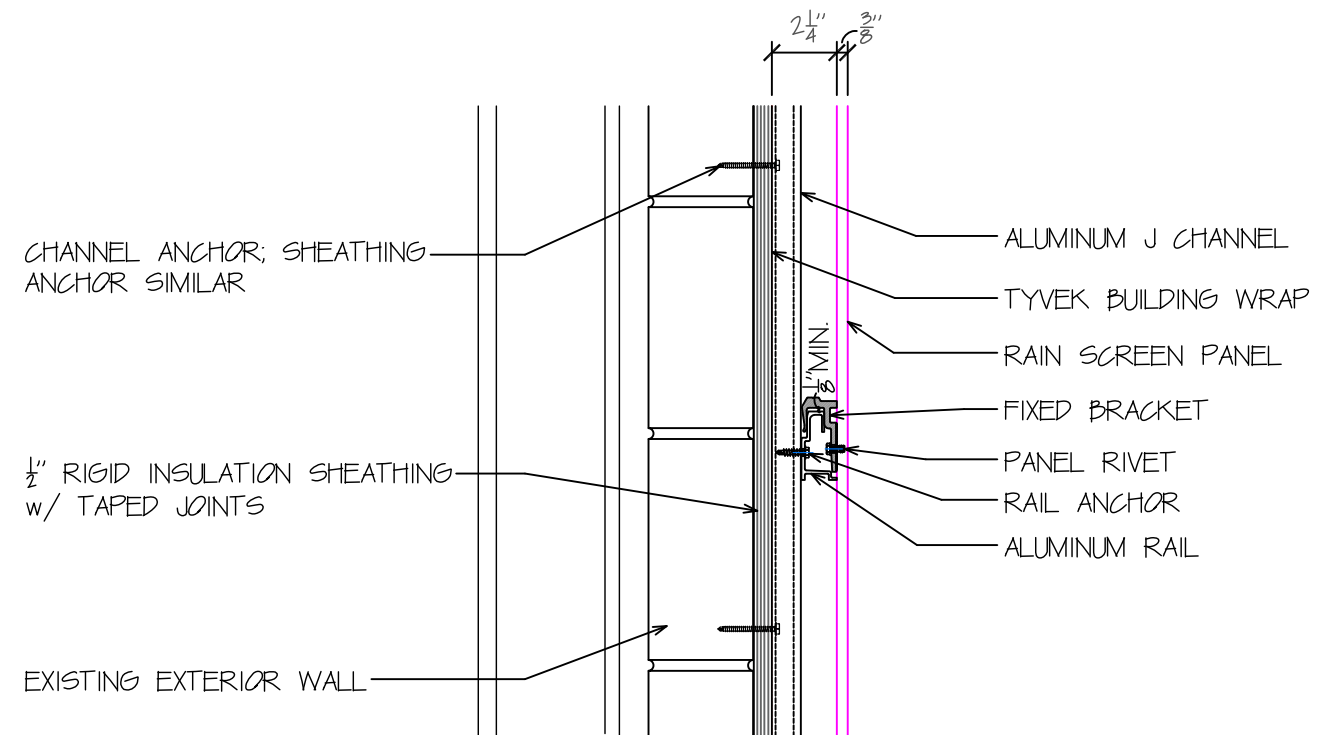
4 HORIZONTAL PANEL JOINT DETAIL

1/2" = 1'-0"



2 WINDOW HEAD DETAIL

1/2" = 1'-0"



5 HORIZONTAL MID PANEL SUPPORT

1/2" = 1'-0"