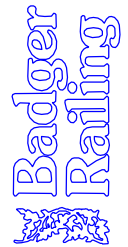


PLAN VIEW AT SIDEWALK STAIR

MATERIAL SIZES
TOP RAIL = STANDARD MOLDED TOP
BOTTOM RAIL = CHANNEL 1" X 1/2" X 1/8"
POSTS = 1" SOLID SQUARE BAR
PICKETS = 1/2" SOLID SQUARE BAR (DOUBLE TWIST)

Rev.	Date

BADGER RAILING  
 3880 W. MILWAUKEE ROAD  
 MILWAUKEE, WI 53208  
 414.672.6090  
 414.672.8700 (FAX)



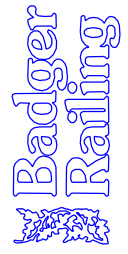
Customer: DORI EVANS  
 Project: STAIR RAIL  
 3223 N. SHRMAN BLVD.

Job No	11965
Date	11/10/21
Drawn	AMB
Appr.	
Sheet	101 of

SHOP PAINT:  
 EPOXY PRIME  
 BLACK URETHANE ENAMEL

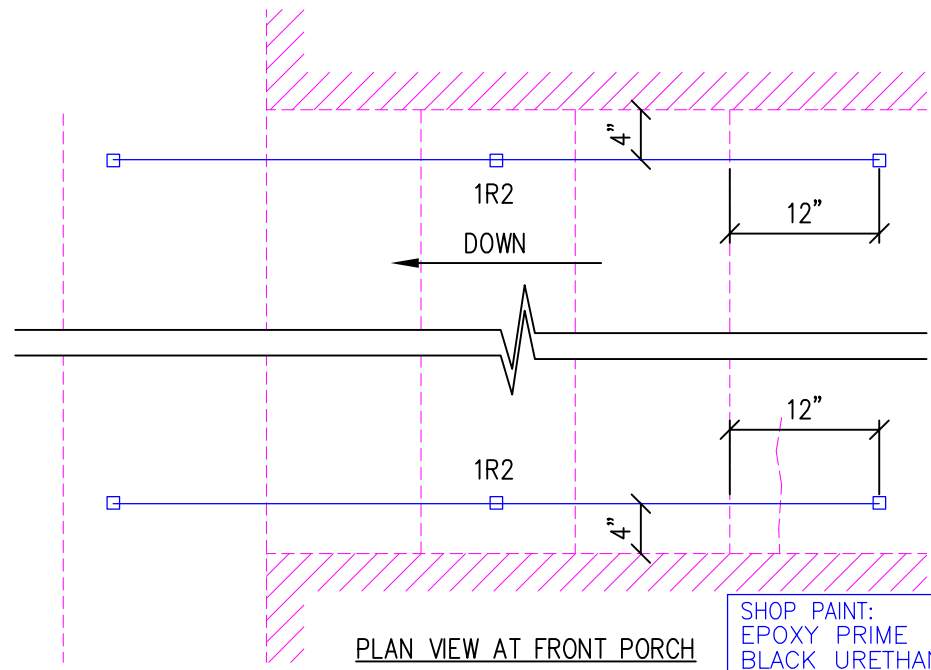
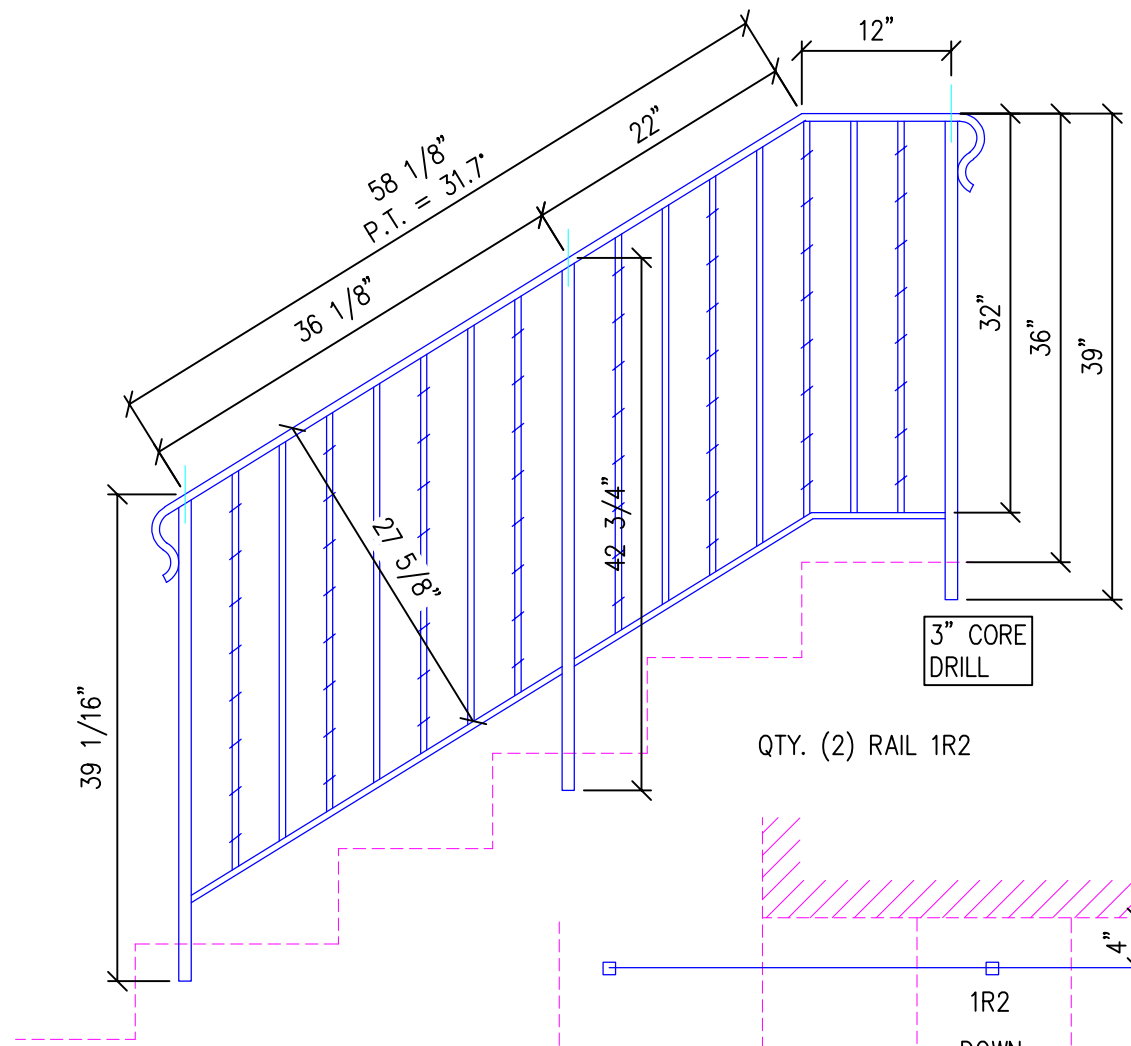
Rev.	Date

BADGER RAILING  
 3880 W. MILWAUKEE ROAD  
 MILWAUKEE, WI 53208  
 414.672.6090  
 414.672.8700 (FAX)



Customer: DORI EVANS  
 Project: STAIR RAIL  
 3223 N. SHRMAN BLVD.

Job No	11965
Date	11/10/21
Drawn	AMB
Appr.	
Sheet	101 of



PLAN VIEW AT FRONT PORCH

SHOP PAINT:  
 EPOXY PRIME  
 BLACK URETHANE ENAMEL