

FRANKLIN PLACE REDEVELOPMENT

1632 N. FRANKLIN PL
MILWAUKEE, WI

SHEET INDEX

SHEET ID	SHEET TITLE
A1	GROUND FLOOR
A2	LOWER LEVEL
A3	LEVEL 2
A4	LEVEL 3-5
A5	BUILDING ELEVATIONS
A6	BUILDING ELEVATIONS
A7	PERSPECTIVE LOOKING SOUTH
A8	PERSPECTIVE LOOKING NORTH
A9	PERSPECTIVE LOOKING NORTH
A10	PERSPECTIVE LOOKING SOUTH
A11	BUILDING DATA
A12	UNIT MIX
S-1	ALTA/ACSM LAND TITLE SURVEY
C101	SITE DEMOLITION PLAN
C102	SITE PLAN
C103	SITE GEOMETRIC PLAN
C104	SITE GRADING PLAN
C105	SITE UTILITY PLAN
C106	SITE EROSION CONTROL PLAN
C107	SITE DETAILS
L101	SITE LANDSCAPE PLAN
L102	SITE LANDSCAPE DETAILS
WS-123	WAUSAU TILE SITE FURNISHINGS
WS-124	WAUSAU TILE SITE FURNISHINGS
ES100	LIGHTING POINT-BY-POINT CALCULATIONS
ES101	OA FIXTURE CUT SHEETS
ES102	OB FIXTURE CUT SHEETS
ES103	OC FIXTURE CUT SHEETS



eppstein uhen : architects

DPD SUBMITTAL

FILE NUMBER: 161590

04/18/2017

PROJECT NUMBER: 115316

PROJECT INFORMATION

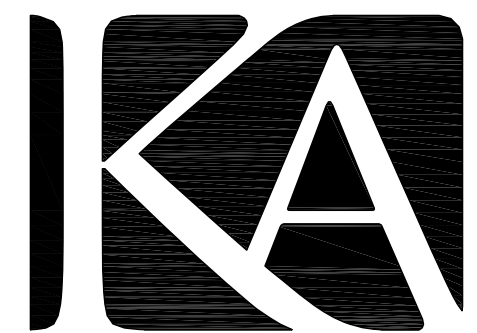
**FRANKLIN PLACE
REDEVELOPMENT**

1632 N. FRANKLIN PL
MILWAUKEE, WI

ISSUANCE AND REVISIONS

DATE	DESCRIPTION
03/17/17	DPD SUBMITTAL

KEY PLAN



KAPUR & ASSOCIATES, INC.
CONSULTING ENGINEERS
7711 N. PORT WASHINGTON ROAD
MILWAUKEE, WISCONSIN 53217
Phone: 414.351.6668 Fax: 414.351.4117
www.kapurengineers.com

SHEET INFORMATION

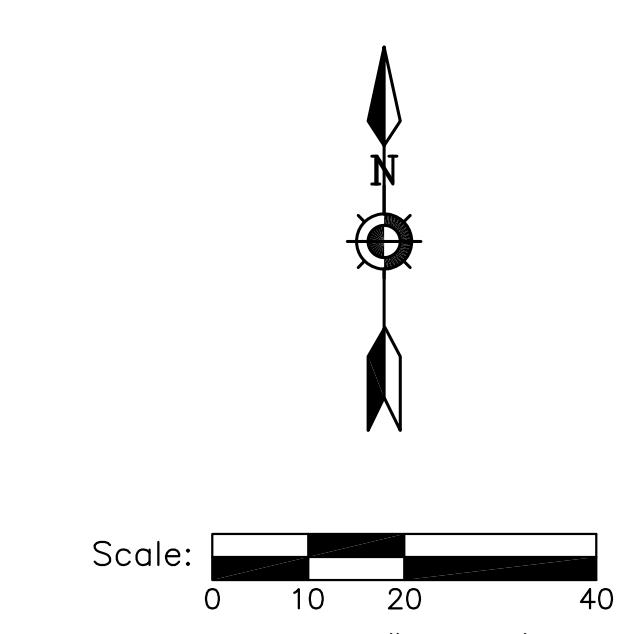
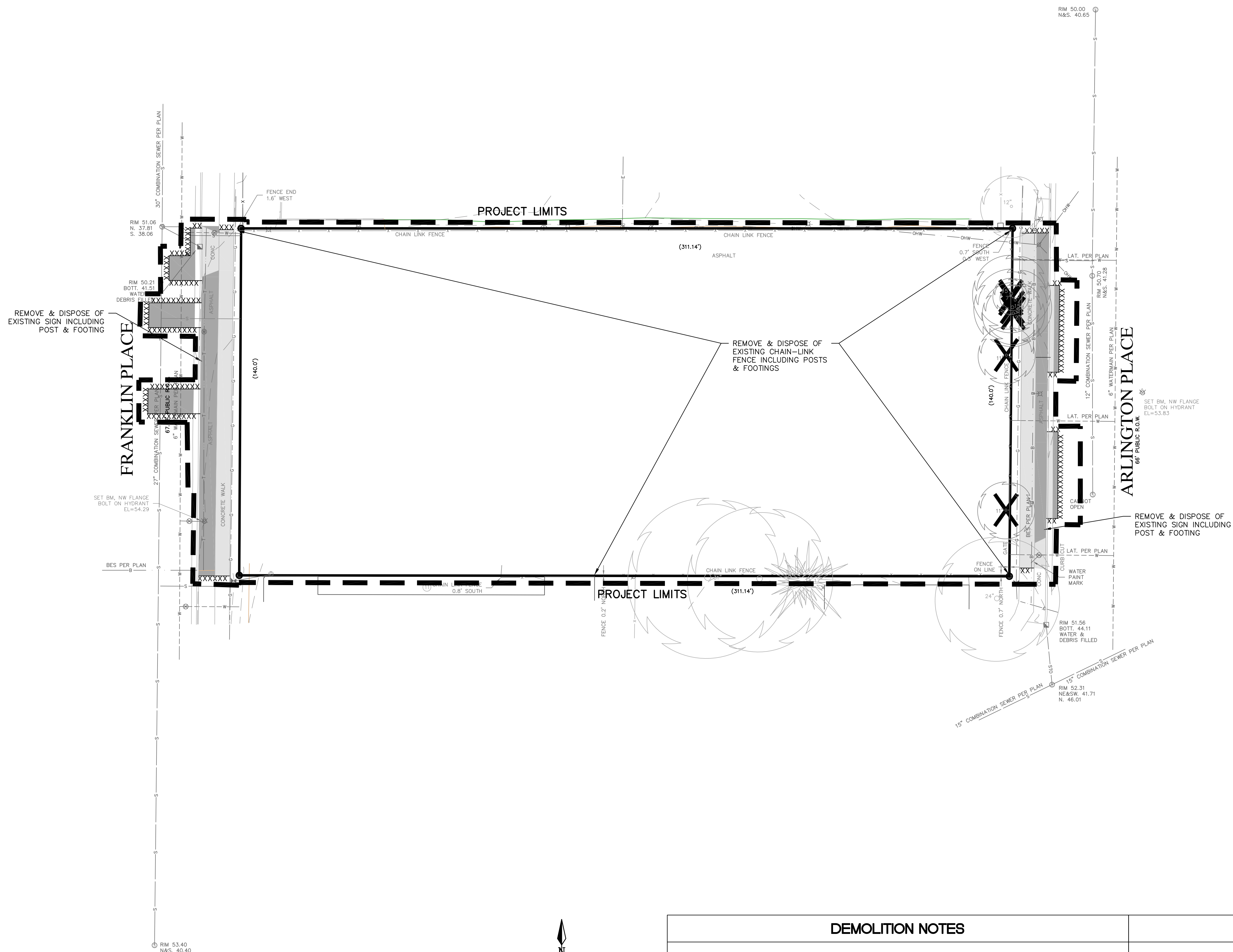
PROGRESS DOCUMENTS - NOT FOR CONSTRUCTION

PROJECT MANAGER MO

PROJECT NUMBER 115316

SITE DEMOLITION PLAN

C101



DIGGERS HOTLINE
Dial 811 or (800)242-8511
www.DiggersHotline.com

DEMOLITION NOTES

- CONSULT WITH OWNER TO DETERMINE A SAFE STORAGE LOCATION OF ITEMS SPECIFICALLY CALLED OUT TO BE SALVAGED FOR OWNER REUSE. EXERCISE CARE DURING REMOVAL AND TRANSPORT TO PREVENT DAMAGE.
- THE UNDERGROUND AND OVERHEAD UTILITY INFORMATION AS SHOWN HEREON IS BASED, IN PART, UPON INFORMATION FURNISHED BY UTILITY COMPANIES, LOCAL MUNICIPALITY, PROPERTY OWNER, AND DIGGERS HOTLINE. WHILE THIS INFORMATION IS BELIEVED TO BE RELIABLE, ITS ACCURACY AND COMPLETENESS CANNOT BE GUARANTEED NOR CERTIFIED TO.
- GENERAL CONTRACTOR OR THEIR SUB CONTRACTORS SHALL APPLY FOR AND OBTAIN ALL THEIR REQUIRED PERMITS AND APPROVALS PRIOR TO THE START OF THEIR WORK. CONSULT WITH AND OBTAIN FROM ENGINEER COPIES OF ENGINEERING DESIGN APPROVAL PERMITS, INCLUDING BUT NOT LIMITED TO WDR, STATE OR LOCAL PLUMBING, WDOT, COUNTY, AND STORM WATER MANAGEMENT.
- GENERAL CONTRACTOR OR THEIR SUB CONTRACTORS SHALL CONTACT DIGGER'S HOTLINE TO ALLOW THEM SUFFICIENT TIME TO LOCATE EXISTING UTILITIES PRIOR TO COMMENCEMENT OF WORK.
- GENERAL CONTRACTOR OR THEIR SUB CONTRACTORS ARE RESPONSIBLE FOR COORDINATING THEIR WORK WITH ALL OTHER CONTRACTORS.
- GENERAL CONTRACTOR OR THEIR SUB CONTRACTORS ARE RESPONSIBLE FOR VERIFYING OWNERSHIP OF AND COORDINATING THE DEMOLITION AND/OR RELOCATION OF ALL EXISTING UTILITIES FROM EXISTING BUILDINGS AND WITHIN THE PROJECT LIMITS, INCLUDING BUT NOT LIMITED TO ELECTRICAL/FIBER OPTIC/TELEPHONE/CABLE/GAS/WATER/SANITARY/STORM. DEMOLITION OF THIS UTILITY WORK MUST BE IN ACCORDANCE WITH ALL STATE, FEDERAL, & LOCAL REGULATIONS.
- FOR ALL WORK, GENERAL CONTRACTOR OR THEIR SUB CONTRACTORS ARE RESPONSIBLE FOR REVIEWING BID DOCUMENTS, VERIFYING THE VERTICAL AND HORIZONTAL LOCATION OF ALL EXISTING UTILITIES WITHIN THE PROJECT LIMITS, AND INCLUDE IN THEIR CONTRACT THE RELOCATION OF SAID UTILITIES (NOTED OR NOT ON THE BID DOCUMENTS) AS NECESSARY TO PROVIDE PROPER DEPTH/CLEARANCE PER UTILITY OWNER'S REQUIREMENTS.

DEMOLITION LEGEND

	VEGETATION TO BE REMOVED AND DISPOSED OF OFFSITE. IF SUITABLE FOR REUSE, TOPSOIL TO BE STOCKPILED. UNUSED AND UNSUITABLE TOPSOIL TO BE REMOVED OFFSITE. TOPSOIL THICKNESS MAY VARY. REFER TO GEOTECHNICAL REPORT OR FIELD VERIFY DEPTH IF GEOTECHNICAL REPORT NOT AVAILABLE.
	ASPHALT PAVEMENT AND BASE MATERIAL TO BE REMOVED TO SUB-BASE AND DISPOSED OF OFFSITE. CONCRETE AND BASE THICKNESS MAY VARY. REFER TO GEOTECHNICAL REPORT.
	CONCRETE AND BASE MATERIAL TO BE REMOVED TO SUB-BASE AND DISPOSED OF OFFSITE. CONCRETE AND BASE THICKNESS MAY VARY. REFER TO GEOTECHNICAL REPORT.
XXXXXXXXXX	SAWCUT FULL DEPTH
X	TREES AND STUMPS TO BE REMOVED
	DENOTES UTILITIES TO BE ABANDONED AND REMOVED.

PROJECT INFORMATION

FRANKLIN PLACE
REDEVELOPMENT

1632 N. FRANKLIN PL
MILWAUKEE, WI

ISSUANCE AND REVISIONS

DATE	DESCRIPTION
03/17/17	DPD SUBMITTAL

KEY PLAN



SHEET INFORMATION

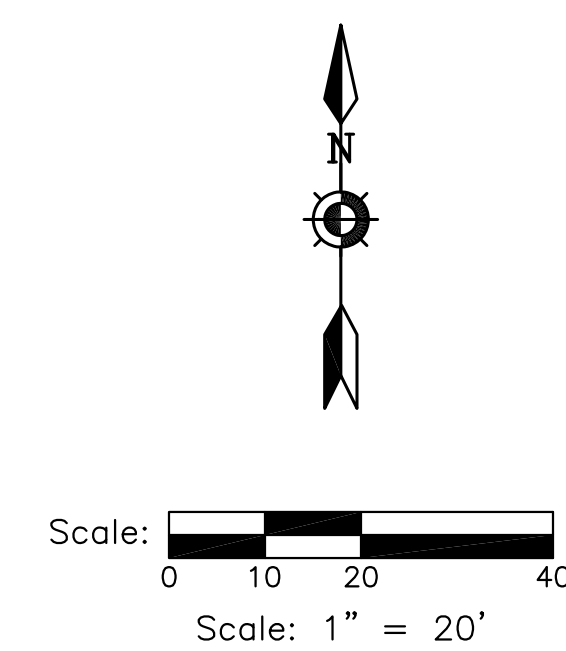
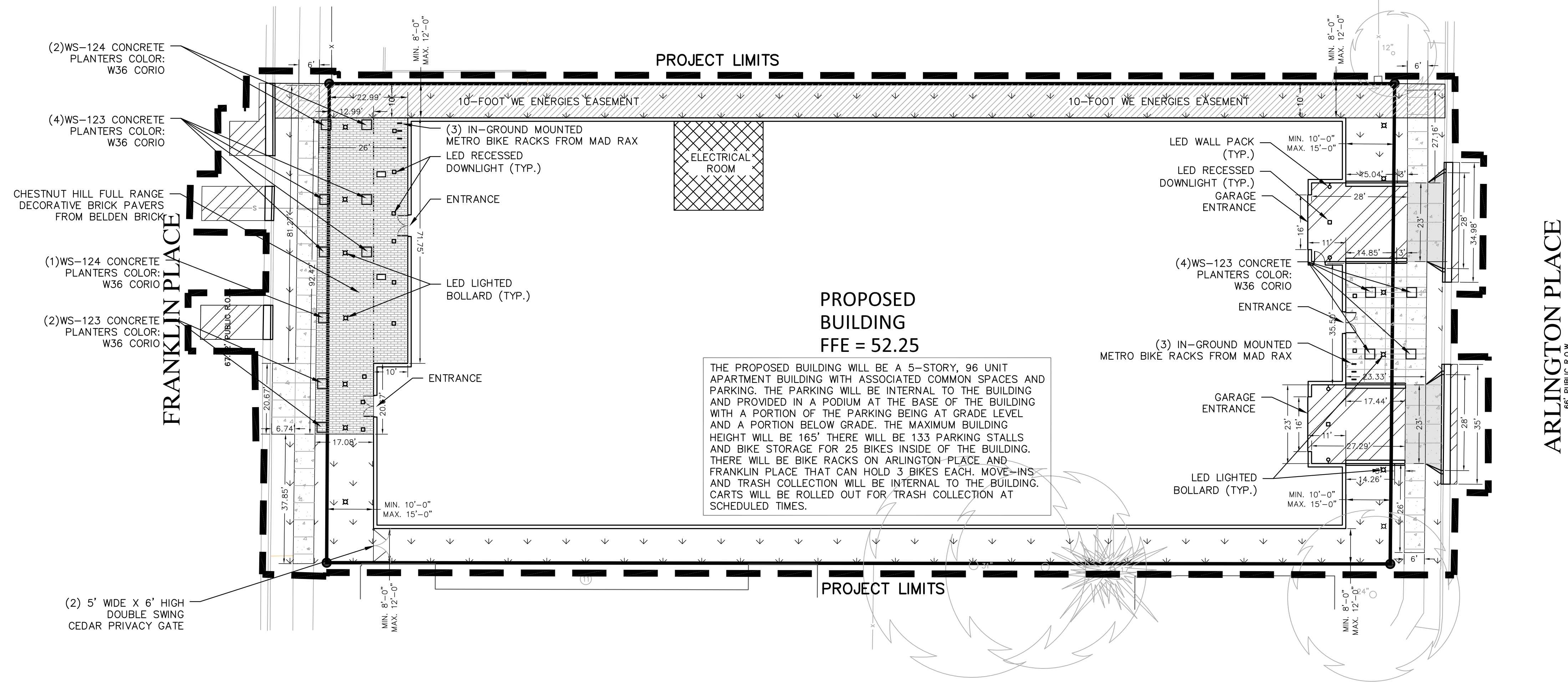
PROGRESS DOCUMENTS - NOT FOR CONSTRUCTION

PROJECT MANAGER MO

PROJECT NUMBER 115316

SITE PLAN

C102



DIGGERSHOTLINE
Dial 811 or (800)242-8511
www.DiggersHotline.com

HATCH LEGEND

	AREAS DISTURBED BY CONSTRUCTION (NOT SPECIFICALLY CALLED OUT ON THE LANDSCAPE PLANS) TO BE RESTORED WITH MINIMUM 4" TOPSOIL, SEED, FERTILIZER, AND MULCH (TYP.). USE SALVAGED TOPSOIL OR IMPORT TOPSOIL IF REQUIRED.
	NEW ASPHALTIC CONCRETE (HEAVY DUTY)
	CHESTNUT HILL DECORATIVE PAVER, FULL RANGE FROM BELDEN BRICK
	NEW CONCRETE SLAB
	NEW HEAVY DUTY CONCRETE SLAB
	NEW HIGH-SIDE CURB & GUTTER
	NEW LOW-SIDE CURB & GUTTER
	6' HIGH BOARD-ON-BOARD PRIVACY FENCE
	LED LIGHTED BOLLARD
	LED RECESSED DOWNLIGHT
	LED WALL PACK

BUILDING INFORMATION

BUILDING USE: RESIDENTIAL MULTI-FAMILY
BUILDING HEIGHT: 60'-0"
MAIN BUILDING ENTRANCE: FRANKLIN PL
SECONDARY BUILDING ENTRANCE: ARLINGTON PL
VEHICULAR ENTRANCES: ARLINGTON PL
INTERNAL VEHICULAR PARKING: 133
INTERNAL BICYCLE PARKING: 25
EXTERIOR VEHICULAR PARKING: 0
EXTERIOR BICYCLE PARKING: 6

1

2

3

4

5

6

7

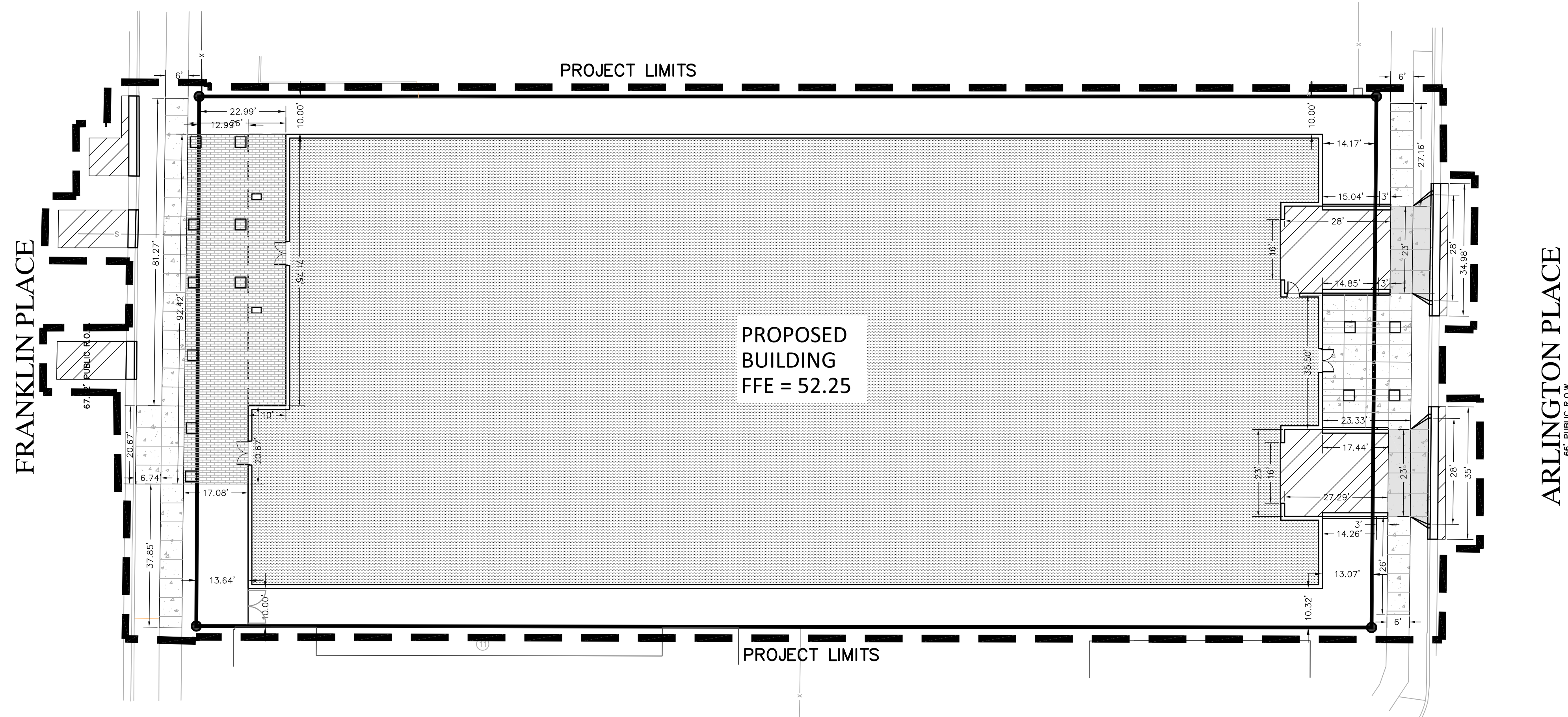
E

D

C

B

A



eppstein uhen : architects

milwaukee 333 East Chicago Street
Milwaukee, Wisconsin 53202
telephone 414.271.5350

madison 309 West Johnson Street, Suite 202
Madison, Wisconsin 53703
telephone 608.442.5350

PROJECT INFORMATION

FRANKLIN PLACE
REDEVELOPMENT

1632 N. FRANKLIN PL
MILWAUKEE, WI

ISSUANCE AND REVISIONS

DATE	DESCRIPTION
03/17/17	DPD SUBMITTAL

KEY PLAN

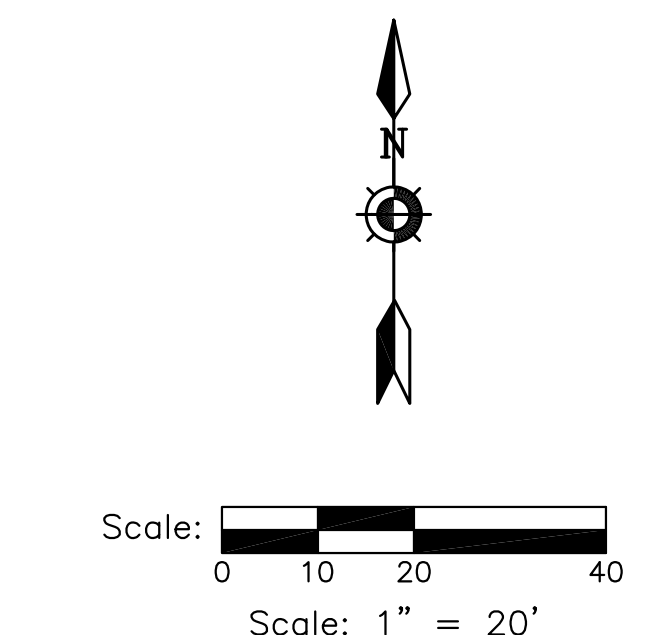


SHEET INFORMATION

PROGRESS DOCUMENTS - NOT FOR CONSTRUCTION

PROJECT MANAGER MO

PROJECT NUMBER 115316



Dial 811 or (800)242-8511
www.DiggersHotline.com

SITE GEOMETRIC PLAN

C103

PROJECT INFORMATION

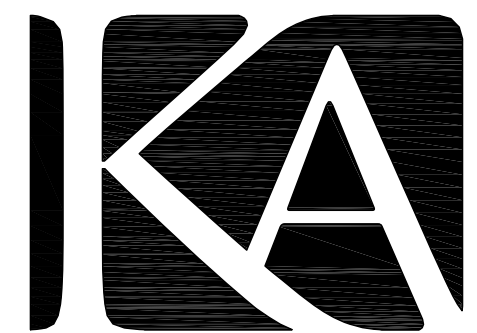
FRANKLIN PLACE
REDEVELOPMENT

1632 N. FRANKLIN PL
MILWAUKEE, WI

ISSUANCE AND REVISIONS

DATE	DESCRIPTION
03/17/17	DPD SUBMITTAL

KEY PLAN



KAPUR & ASSOCIATES, INC.
CONSULTING ENGINEERS
7711 N. PORT WASHINGTON ROAD
MILWAUKEE, WISCONSIN 53217
Phone: 414.351.6668 Fax: 414.351.4117
www.kapurengineers.com

SHEET INFORMATION

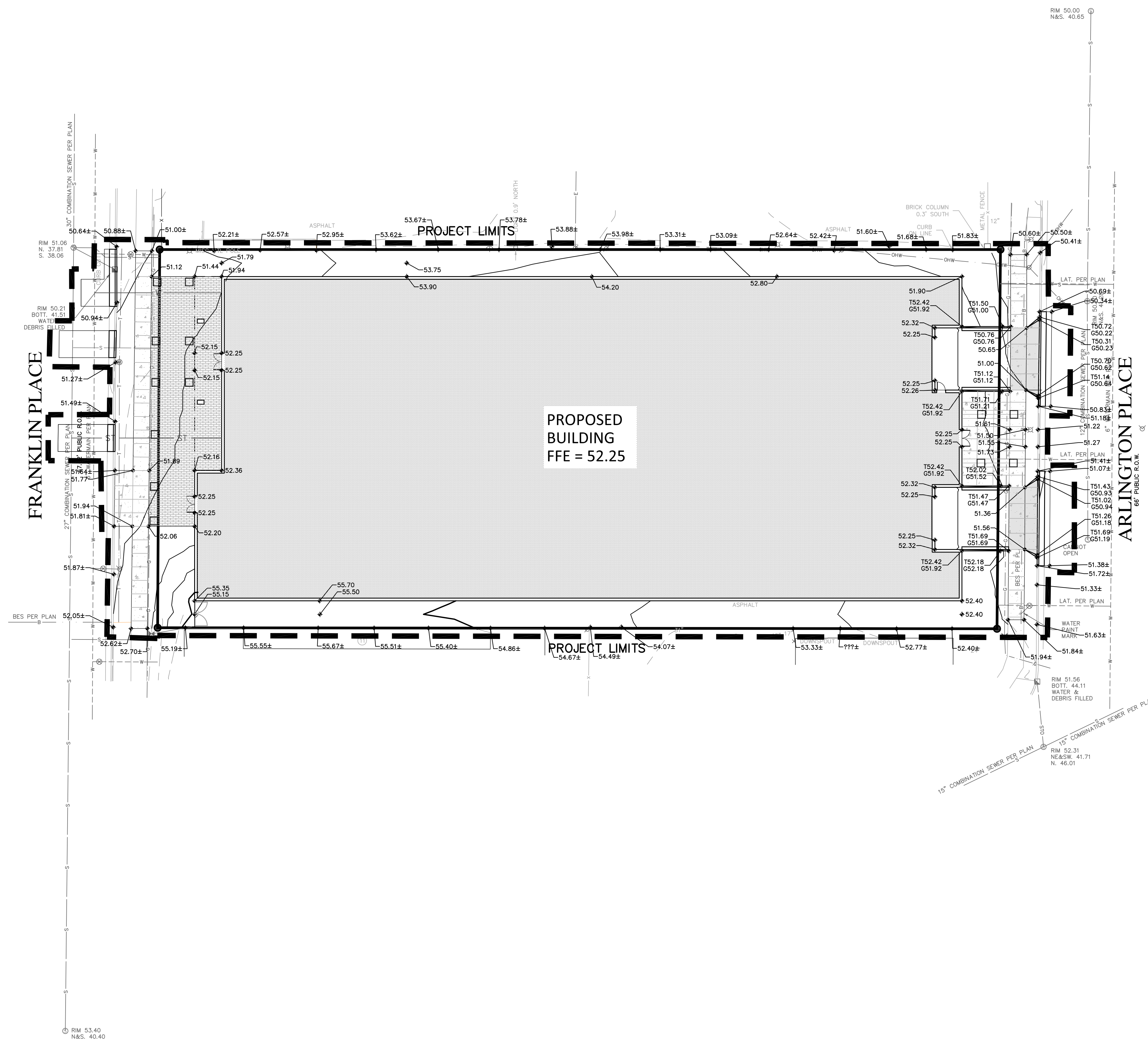
PROGRESS DOCUMENTS - NOT FOR CONSTRUCTION

PROJECT MANAGER MO

PROJECT NUMBER 115316

SITE GRADING PLAN

C104



Scale: 1" = 20'



Dial 811 or (800)242-8511
www.DiggersHotline.com

GRADING LEGEND

---	54	---	EXISTING CONTOUR MINOR
---	55	---	EXISTING CONTOUR MAJOR
---	54	---	PROPOSED CONTOUR MINOR
---	55	---	PROPOSED CONTOUR MAJOR
+	54.55		PROPOSED SPOT GRADE
+	55.25±		MATCH EXISTING SPOT GRADE
+	55.00		PROPOSED TOP OF CURB
+	54.50		PROPOSED BOTTOM OF CURB
+	56.50±		MATCH EXISTING TOP OF CURB
+	56.00±		MATCH EXISTING BOTTOM OF CURB

PROJECT INFORMATION

FRANKLIN PLACE
REDEVELOPMENT

1632 N. FRANKLIN PL
MILWAUKEE, WI

ISSUANCE AND REVISIONS

DATE	DESCRIPTION
03/17/17	DPD SUBMITTAL

KEY PLAN



SHEET INFORMATION

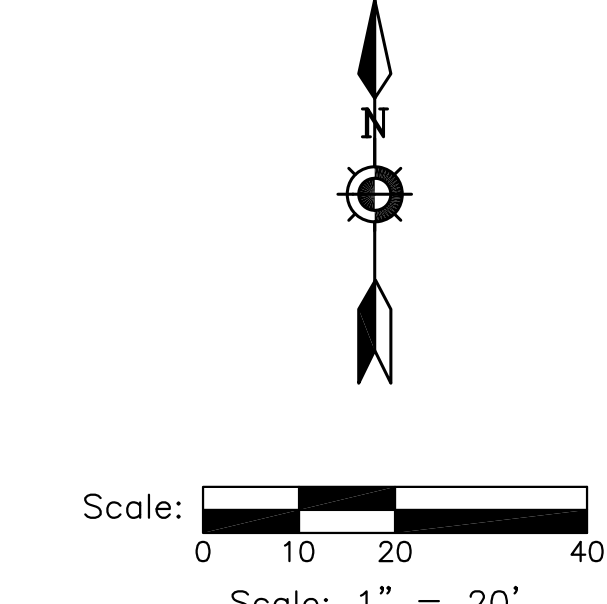
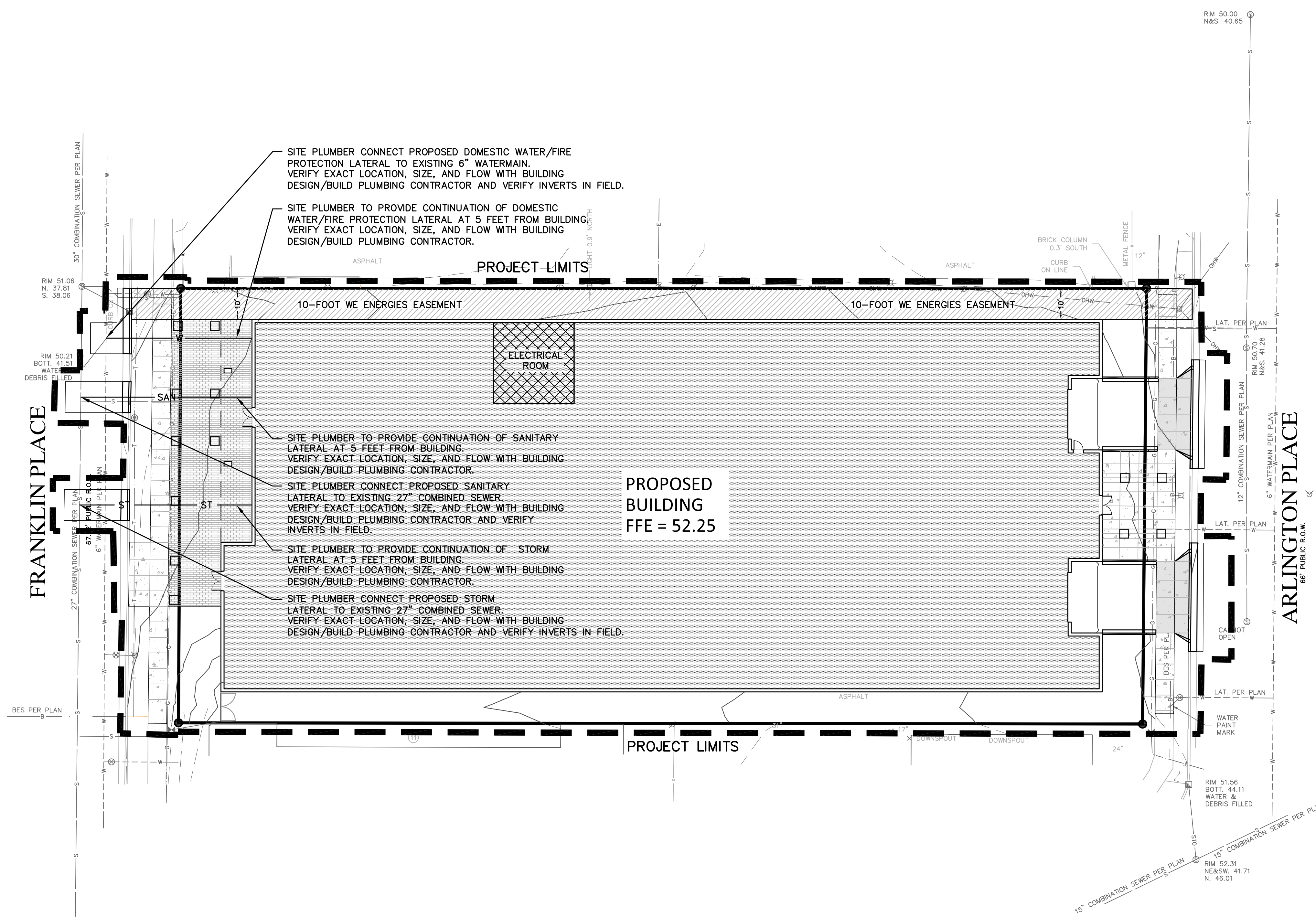
PROGRESS DOCUMENTS - NOT FOR CONSTRUCTION

PROJECT MANAGER MO

PROJECT NUMBER 115316

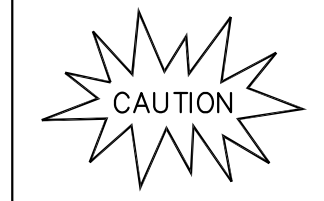
SITE UTILITY PLAN

C105



DIGGERS HOTLINE
Dial 811 or (800)242-8511
www.DiggersHotline.com

SITE UTILITY LEGEND AND NOTES



KNOWN UTILITY AND POTENTIAL CONFLICT EXIST WITH EXISTING UNDERGROUND UTILITIES. PRIOR TO UTILITY INSTALLATION, CONTRACTOR TO EXCAVATE AND EXPOSE EXISTING UTILITIES, VERIFY LOCATIONS AND ELEVATIONS, AND CONTACT ENGINEER IF CONFLICTS EXIST WITH PROPOSED CONSTRUCTION AND EXISTING UNDERGROUND UTILITIES.

- PER PROJECT SPECIFICATIONS AND THE STANDARD SPECIFICATIONS FOR SEWER AND WATER CONSTRUCTION IN WISCONSIN, THE POINT OF COMMENCEMENT FOR THE LAYING OF SEWER PIPE SHALL BE AT THE LOWEST POINT IN THE PROPOSED SEWER LINE. THE PIPE SHALL BE LAID WITH THE BELL END OF THE BELL AND SPIGOT PIPE, OR WITH THE RECEIVING GROOVE END OF THE TONGUE AND GROOVE PIPE, POINTING UPGRADE. WHEN A NEW SEWER IS TO BE CONNECTED TO AN EXISTING SEWER NOT TERMINATING IN A MANHOLE, THE CONTRACTOR SHALL UNCOVER THE EXISTING SEWER TO ALLOW ANY ADJUSTMENTS IN LINE AND GRADE TO BE MADE BEFORE PIPE IS LAID.
- THE UNDERGROUND AND OVERHEAD UTILITY INFORMATION AS SHOWN HEREON IS BASED, IN PART, UPON INFORMATION FURNISHED BY UTILITY COMPANIES, LOCAL MUNICIPALITY, PROPERTY OWNER, AND DIGGERS HOTLINE. WHILE THIS INFORMATION IS BELIEVED TO BE RELIABLE, ITS ACCURACY AND COMPLETENESS CANNOT BE GUARANTEED NOR CERTIFIED TO.
- GENERAL CONTRACTOR OR THEIR SUB CONTRACTORS SHALL APPLY FOR AND OBTAIN ALL THEIR REQUIRED PERMITS AND APPROVALS PRIOR TO THE START OF THEIR WORK. CONSULT WITH AND OBTAIN FROM ENGINEER COPIES OF ENGINEERING DESIGN APPROVAL PERMITS, INCLUDING BUT NOT LIMITED TO WDNR, STATE OR LOCAL PLUMBING, WDOT, COUNTY, AND STORM WATER MANAGEMENT.
- GENERAL CONTRACTOR OR THEIR SUB CONTRACTORS SHALL CONTACT DIGGER'S HOTLINE TO ALLOW THEM SUFFICIENT TIME TO LOCATE EXISTING UTILITIES PRIOR TO COMMENCEMENT OF WORK.
- GENERAL CONTRACTOR OR THEIR SUB CONTRACTORS ARE RESPONSIBLE FOR COORDINATING THEIR WORK WITH ALL OTHER CONTRACTORS.
- GENERAL CONTRACTOR OR THEIR SUB CONTRACTORS ARE RESPONSIBLE FOR VERIFYING OWNERSHIP OF AND COORDINATING THE DEMOLITION AND/OR RELOCATION OF ALL EXISTING UTILITIES FROM EXISTING BUILDINGS AND WITHIN THE PROJECT LIMITS, INCLUDING BUT NOT LIMITED TO ELECTRICAL/FIBER OPTIC/TELEPHONE/CABLE/GAS/WATER/SANITARY/STORM. DEMOLITION OF THIS UTILITY WORK MUST BE IN ACCORDANCE WITH ALL STATE, FEDERAL, & LOCAL REGULATIONS.
- FOR ALL WORK, GENERAL CONTRACTOR OR THEIR SUB CONTRACTORS ARE RESPONSIBLE FOR REVIEWING BID DOCUMENTS, VERIFYING THE VERTICAL AND HORIZONTAL LOCATION OF ALL EXISTING UTILITIES WITHIN THE PROJECT LIMITS, AND INCLUDE IN THEIR CONTRACT THE RELOCATION OF SAID UTILITIES (NOTED OR NOT ON THE BID DOCUMENTS) AS NECESSARY TO PROVIDE PROPER DEPTH/CLEARANCE PER UTILITY OWNER'S REQUIREMENTS.



eppstein uhen : architects

MILWAUKEE 333 East Chicago Street
MILWAUKEE, WISCONSIN 53202
TELEPHONE 414.271.5350
MADISON 309 West Johnson Street, Suite 202
MADISON, WISCONSIN 53703
TELEPHONE 608.442.5350

PROJECT INFORMATION

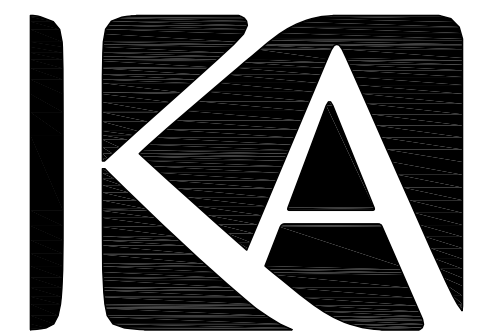
FRANKLIN PLACE
REDEVELOPMENT

1632 N. FRANKLIN PL
MILWAUKEE, WI

ISSUANCE AND REVISIONS

DATE	DESCRIPTION
03/17/17	DPD SUBMITTAL

KEY PLAN



KAPUR & ASSOCIATES, INC.
CONSULTING ENGINEERS
7711 N. PORT WASHINGTON ROAD
MILWAUKEE, WISCONSIN 53217
PHONE: 414.351.6668 FAX: 414.351.4117
WWW.KAPURENGINEERS.COM

SHEET INFORMATION

PROGRESS DOCUMENTS - NOT FOR CONSTRUCTION

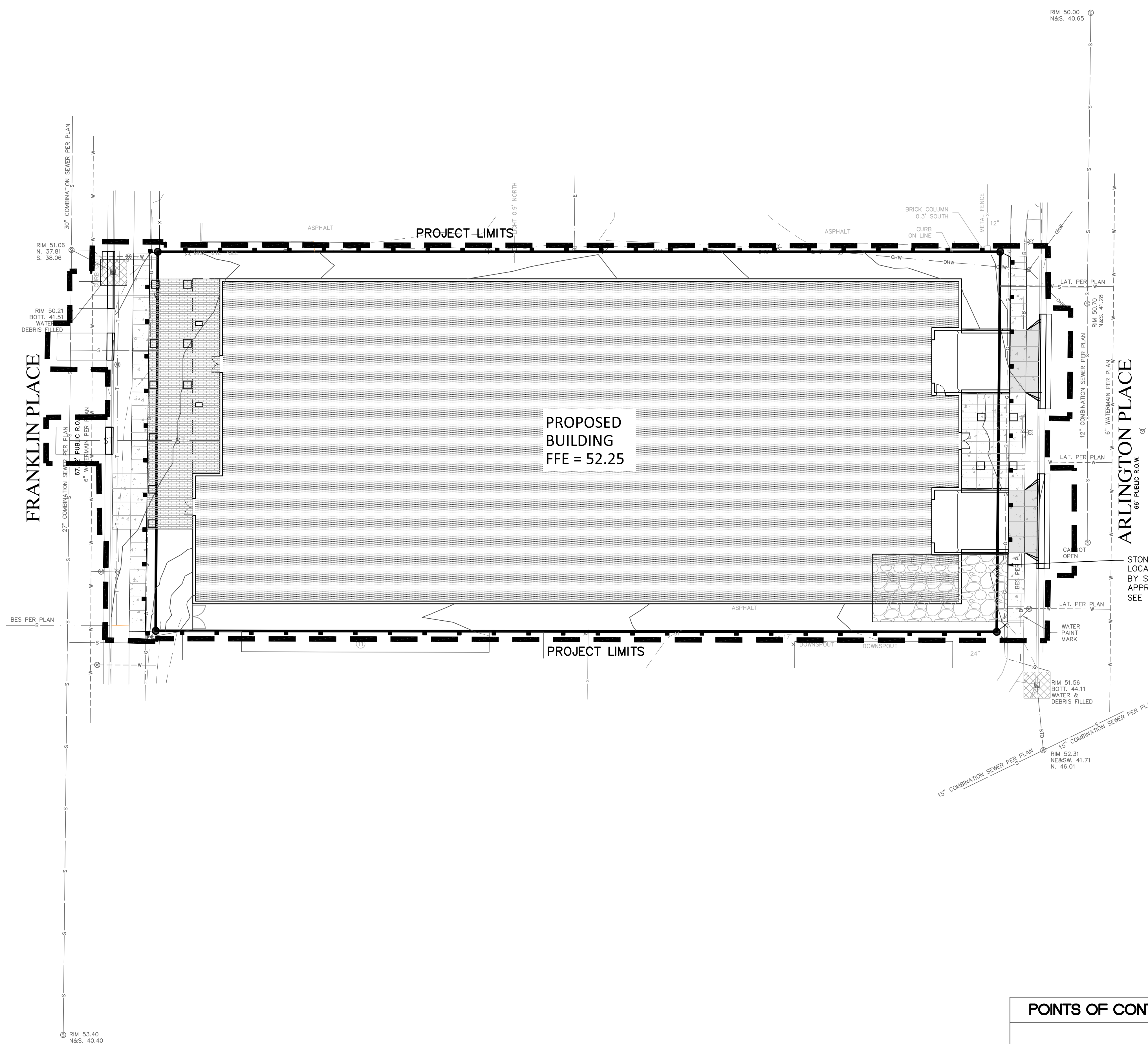
PROJECT MANAGER MO

PROJECT NUMBER 115316

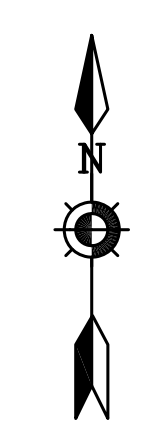
SITE EROSION
CONTROL PLAN

C106

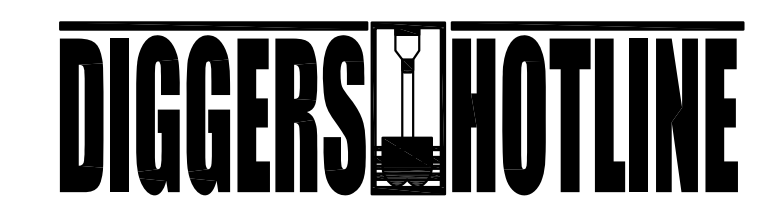
© Eppstein Uhen Architects, Inc.



STONE TRACKING PAD REQUIRED.
LOCATION TO BE DETERMINED
BY SELECTED CONTRACTOR'S
APPROVED WORK PLAN.
SEE DETAIL 2/C107



Scale: 0 10 20 40
Scale: 1" = 20'



Dial 811 or (800)242-8511

www.DiggersHotline.com

POINTS OF CONTACT	EROSION CONTROL LEGEND
<p>LAND OWNER: - - - - - PRESIDENT - - - - - STREET - - - - - WI PHONE: (---) ---</p> <p>PROJECT ENGINEER: THOMAS PEREZ, P.E. KAPUR & ASSOCIATES, INC 7711 NORTH PORT WASHINGTON ROAD MILWAUKEE, WI 53217 PHONE: (414) 351-6668</p> <p>CONSTRUCTION MANAGER: T.B.D.</p>	<p>— — — — — FILTER FABRIC FENCE SEE DETAIL 1/C107</p> <p>▣ DESIGNATES EXISTING INLETS THAT MUST BE PROTECTED SEE DETAIL 3/C107</p> <p>▣ INSTALL EROSION MAT ON ALL SLOPES GREATER THAN 4:1 AND ALL DRAINAGE SWALES</p> <p>USE CLASS I, TYPE A FROM MSDOT PRODUCT APPROVED LIST FOR ALL SIDE SLOPES</p> <p>USE CLASS II, TYPE B FOR ALL DRAINAGE SWALES. INSTALL EROSION MAT ON THE BOTTOM OF AND A MINIMUM OF 2 FEET VERTICALLY UP THE SIDE SLOPES OF ALL DRAINAGE SWALES. CLASS I, TYPE A MAY BE USED FOR THE REMAINDER OF THE SIDE SLOPES IN DRAINAGE SWALES EXCEEDING 2 FEET VERTICALLY.</p> <p>INSPECT ALL EROSION CONTROL MEASURES PRIOR TO COMMENCING GRADING, GRUBBING OR OTHER LAND DISTURBING ACTIVITIES. EROSION CONTROL MEASURES MUST BE INSPECTED WEEKLY AND WITHIN 24 HOURS OF EVERY PRECIPITATION EVENT OF 0.50 INCH OR GREATER. IN ADDITION THE CONTRACTOR SHALL CONDUCT DAILY INSPECTIONS AND DOCUMENT CONDITIONS AND REPAIRS MADE ALONG WITH DATE, TIME OF INSPECTION AND WEATHER CONDITIONS IN A DAILY LOG BOOK. THE DAILY LOG BOOK, WEEKLY / 0.50 INCH PRECIPITATION REPORTS, APPROVED PLANS AND NPDES PERMIT & CHAPTER 30 PERMIT SHALL BE KEPT IN AN ACCESSIBLE LOCATION, LIKE A MAILBOX, WITHIN THE STAGING AREA. AT ABSOLUTELY NO TIME MAY CONSTRUCTION EQUIPMENT, DEBRIS, FILL, ETC. BE PLACED WITHIN WETLANDS, WATERWAYS OR FLOOD PLAINS UNLESS IDENTIFIED IN THE PLANS.</p>

1 2 3 4 5 6 7
E
D
C
B
A



eppstein uhen : architects

milwaukee 333 East Chicago Street
Milwaukee, Wisconsin 53202
telephone 414.271.5350
madison 309 West Johnson Street, Suite 202
Madison, Wisconsin 53703
telephone 608.442.5350

PROJECT INFORMATION

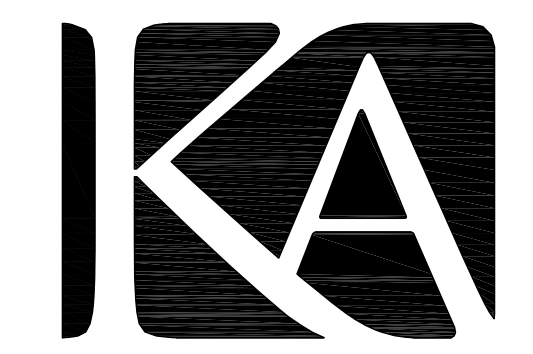
FRANKLIN PLACE
REDEVELOPMENT

1632 N. FRANKLIN PL
MILWAUKEE, WI

ISSUANCE AND REVISIONS

DATE	DESCRIPTION
03/17/17	DPD SUBMITTAL

KEY PLAN



KAPUR & ASSOCIATES, INC.
CONSULTING ENGINEERS
7711 N. PORT WASHINGTON ROAD
MILWAUKEE, WISCONSIN 53217
Phone: 414.351.6688 Fax: 414.351.4117
www.kapurengineers.com

SHEET INFORMATION

PROGRESS DOCUMENTS - NOT FOR CONSTRUCTION

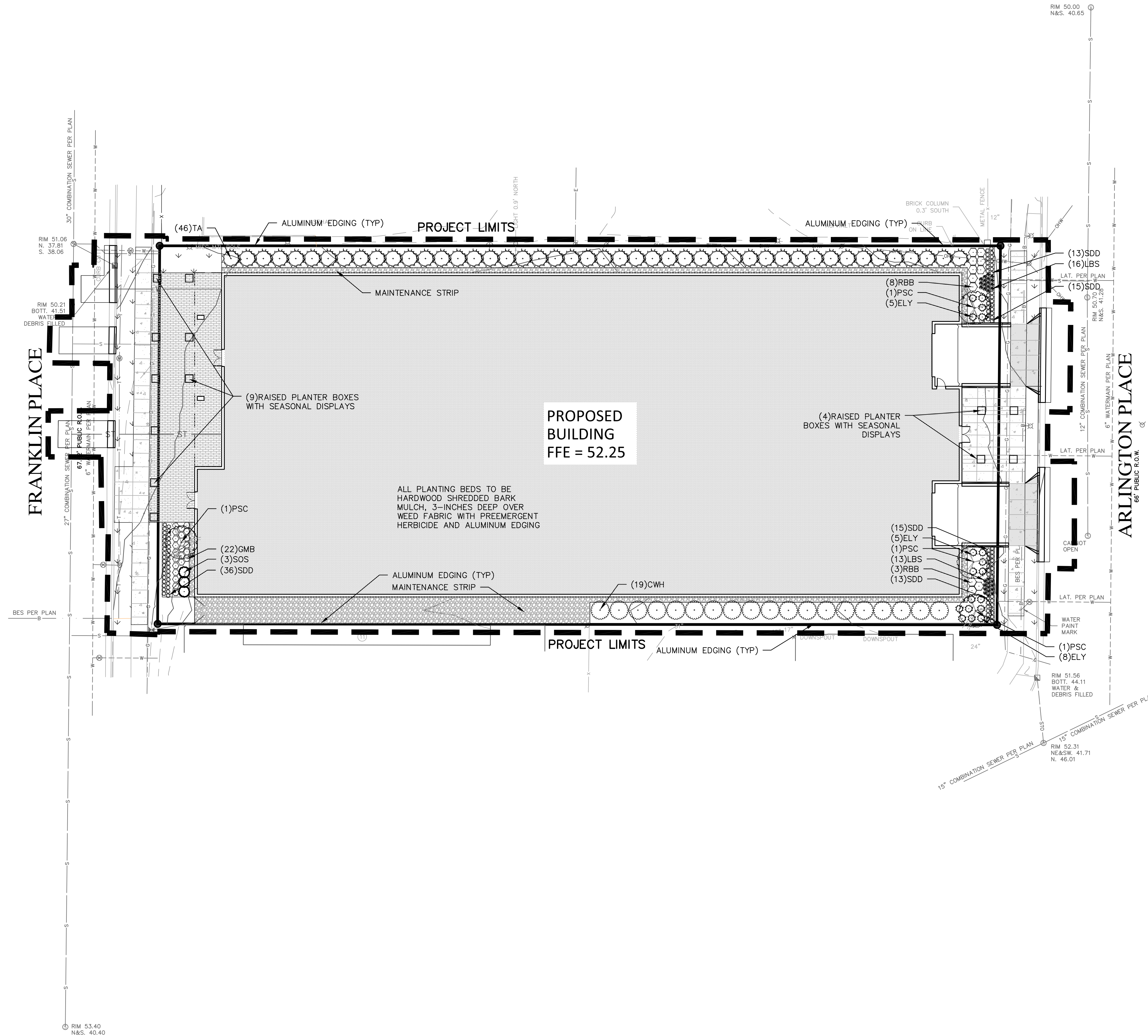
PROJECT MANAGER MO

PROJECT NUMBER 115316

SITE LANDSCAPE PLAN

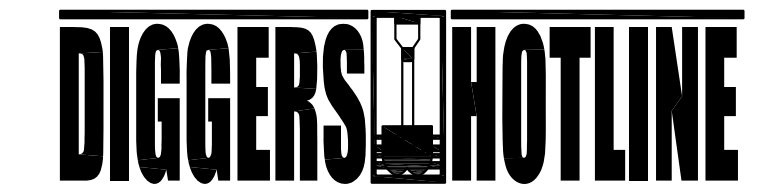
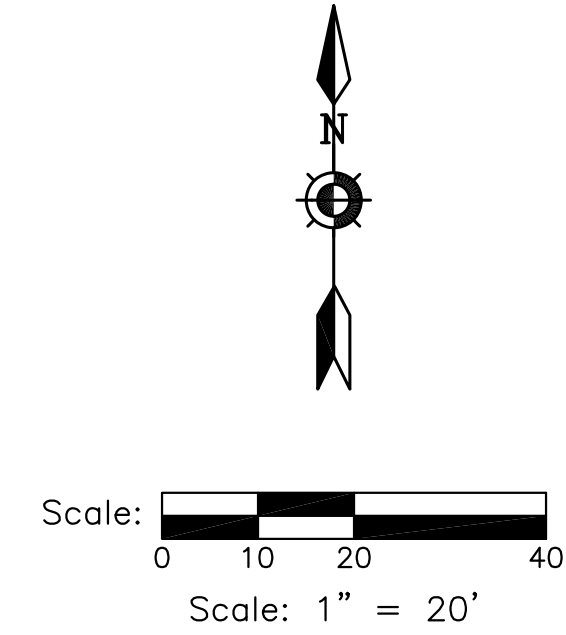
L101

© Eppstein Uhen Architects, Inc.



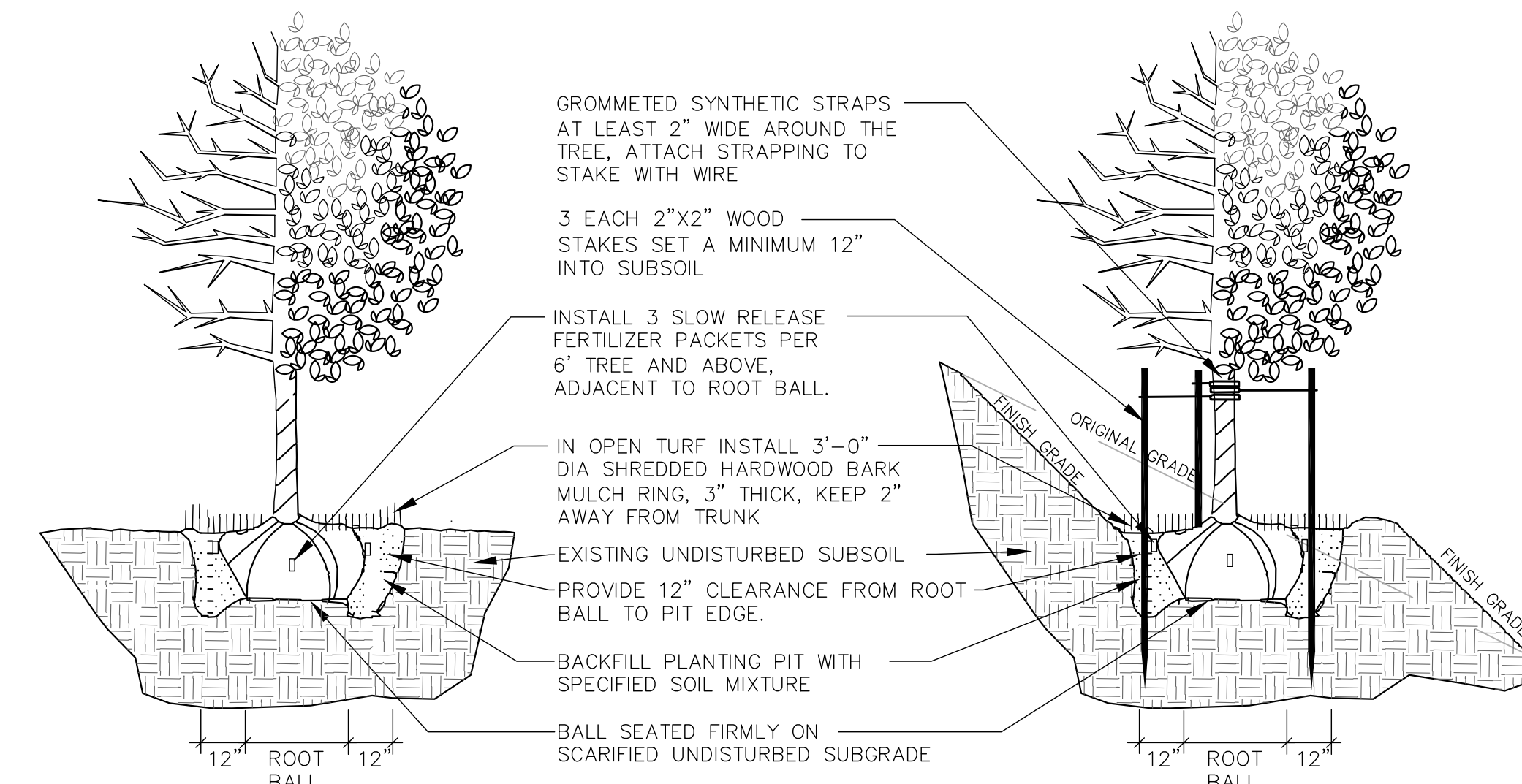
PROPOSED BUILDING
FFE = 52.25

ALL PLANTING BEDS TO BE
HARDWOOD SHREDED BARK
MULCH, 3-INCHES DEEP OVER
WEED FABRIC WITH PREEMERGENT
HERBICIDE AND ALUMINUM EDGING

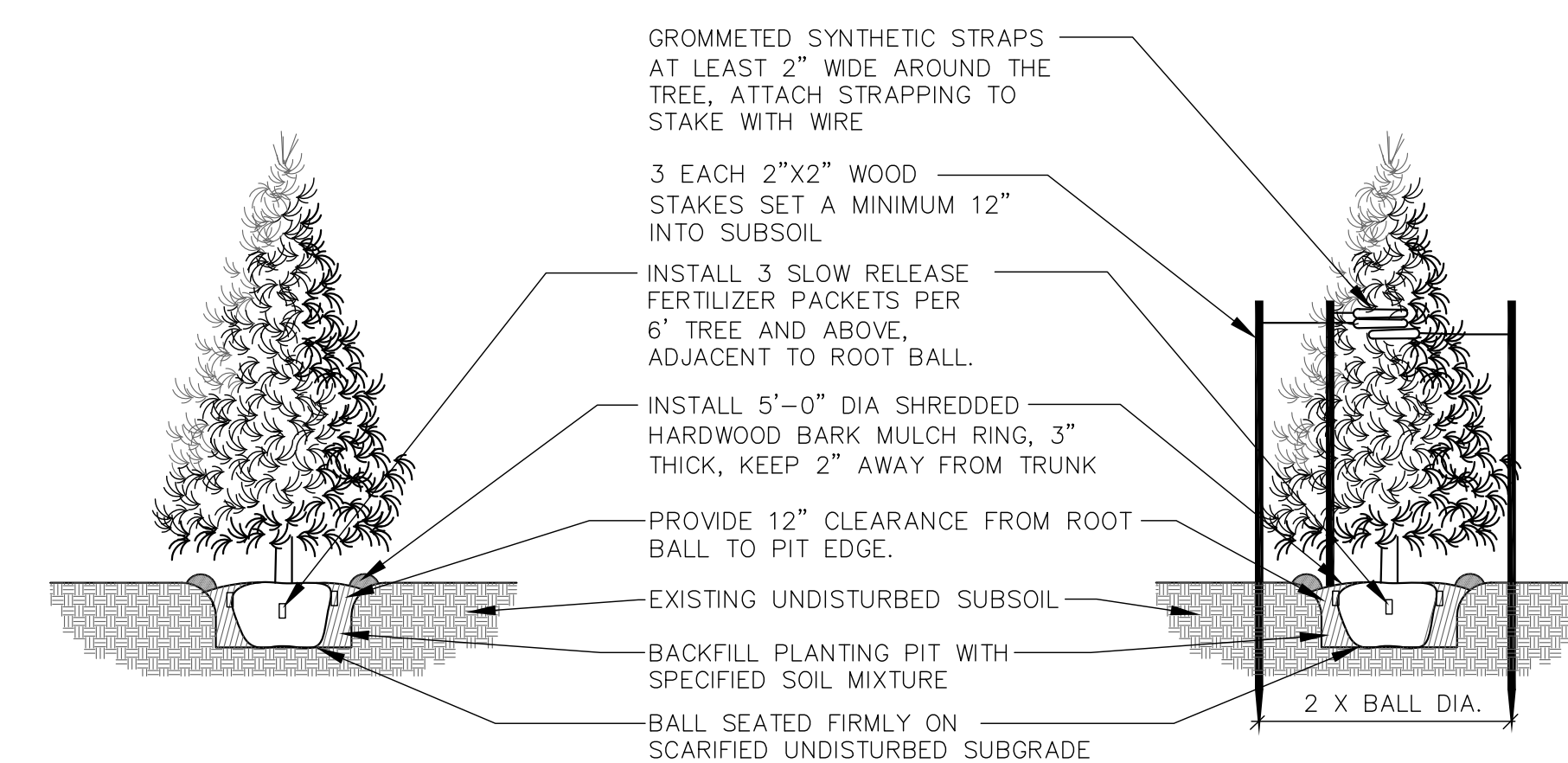


Dial 811 or (800)242-8511
www.DiggersHotline.com

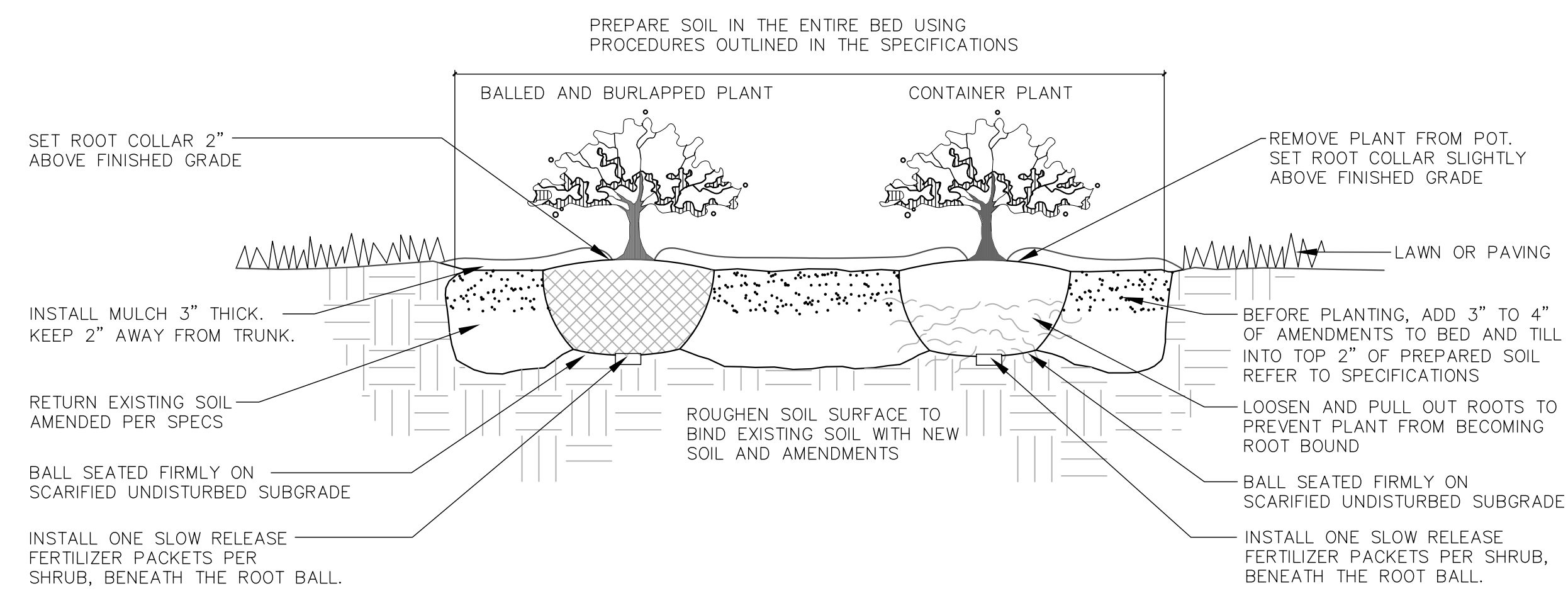
DATE	DESCRIPTION
03/17/17	DPD SUBMITTAL



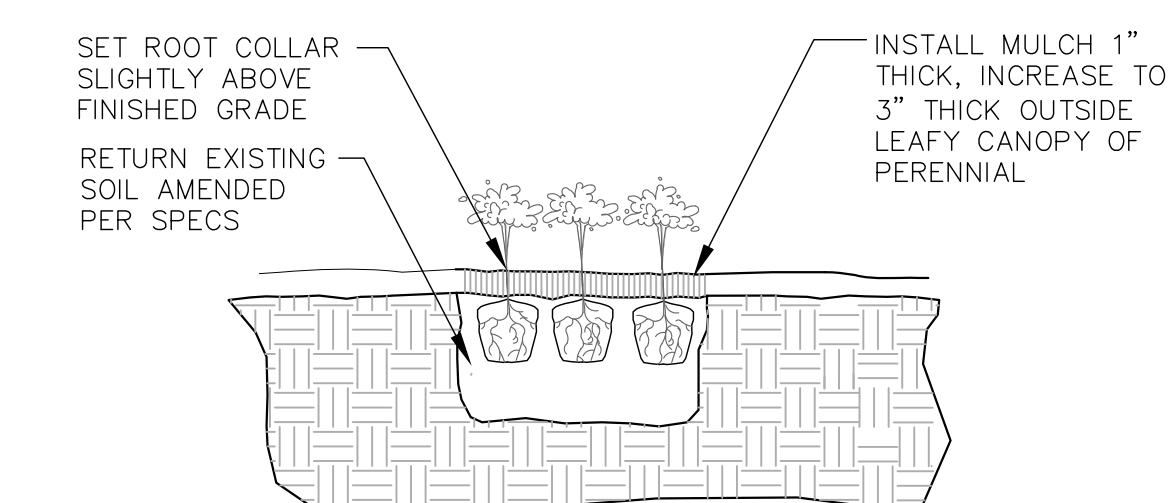
3 DECIDUOUS TREE PLANTING, STAKING, & PLANTING ON A SLOPE
N.T.S.



4 EVERGREEN TREE PLANTING & STAKING
N.T.S.



5 DECIDUOUS & EVERGREEN SHRUB PLANTING
N.T.S.



6 PERENNIAL PLANTING
N.T.S.

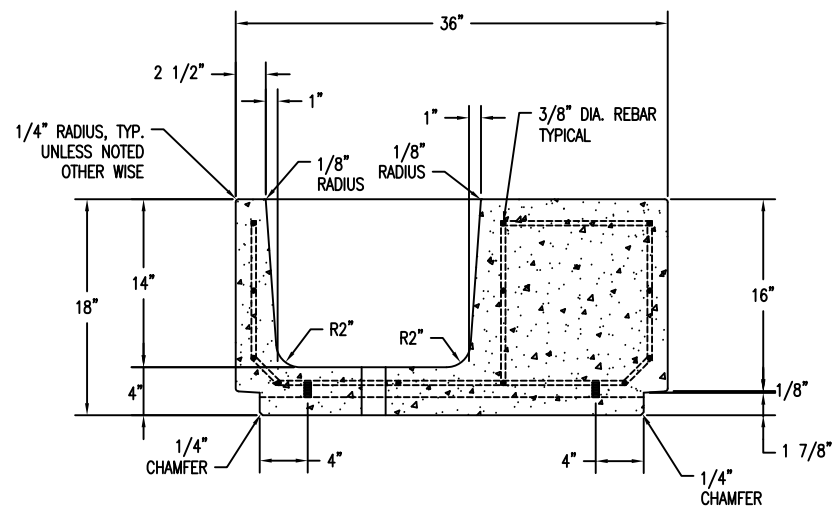
Plant Schedule						
	Scientific Name	Common Name	Quantity	Spacing	Install Size	Size Maturity in ft. (Height/Spread)
Deciduous Trees						
SOS	Amelanchier alnifolia 'Obelisk'	Standing Ovation Saskatoon Serviceberry	3	Per Plan	5' tall B&B	15/4'
PSC	Malus 'Pink Sparkles'	Pink Sparkles Crabapple	4	Per Plan	1.5" caliper B&B	15/12'
Deciduous Shrubs						
CWH	Hamamelis virginiana	Common Witchhazel	19	Per Plan	#5 cont.	12-20/12-15'
RBB	Euonymus alata 'Rudy Haag'	Rudy Haag burning Bush	11	Per Plan	#3 cont.	
Evergreen Trees						
TA	Thuja occidentalis 'Bail John'	Technito Arborvitae	46	Per Plan	6' tall B&B	15-20/7-10'
Evergreen Shrubs						
ELY	Taxus x media 'Everlow'	Everlow Yew	18	Per Plan	#3 cont.	2-3/4-5'
GMB	Buxus x 'Green Mound'	Green Mound Boxwood	22	Per Plan	#5 cont.	3/3'
Perennials						
LBS	Schizachyrium scorparium	Little Bluestem Grass	29	Per Plan	1 gal.	
SDD	Hemerocallis 'Stella D'Oro'	Stella D'Oro Daylily	92	Per Plan	1 gal.	

NOTE: Installation contractor is responsible for verifying plant count from plan. Plan quantities take precedence over list.

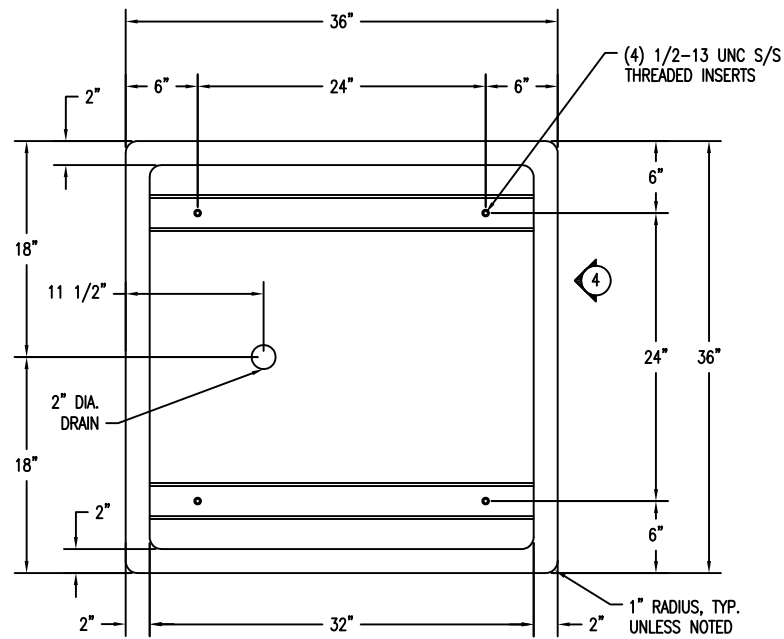
1 LANDSCAPE SCHEDULE
REFER TO SPECIFICATIONS FOR ADDITIONAL INFORMATION

- ALL PLANT MATERIAL SHALL BE OBTAINED FROM A NURSERY LOCATED IN ZONE 5, CONFORM TO APPLICABLE REQUIREMENTS OF THE CURRENT EDITION OF THE AMERICAN STANDARD FOR NURSERY STOCK, AND BOTANICAL NAMES SHALL BE ACCORDING TO THE CURRENT EDITION OF "STANDARDIZED PLANT NAMES PREPARED BY THE AMERICAN JOINT COMMITTEE ON HORTICULTURE NOMENCLATURE.
- CONTRACTOR TO PROVIDE TO THE LANDSCAPE ARCHITECT SAMPLES OF ALL BARK AND MINERAL/STONE MULCHES, DECORATIVE GRAVELS, MAINTENANCE STRIP STONE, OR OTHER GROUND COVER MATERIALS FOR APPROVAL PRIOR TO INSTALLATION.
- BARK MULCH TO BE FRESHLY ACQUIRED HARDWOOD SHREDDED BARK MULCH. NOT DOUBLE MILLED, EXCESSIVE DIRT AND DUST LIKE MATERIAL OR OLD MATERIAL IS NOT ACCEPTABLE.
- LANDSCAPE EDGING TO BE ALUMINUM EDGING. REFER TO SPECIFICATION 32 93 00 PLANTS FOR ADDITIONAL INFORMATION.
- ALL PLANTING AREAS TO RECEIVE A 3-INCH THICK LAYER OF HARDWOOD SHREDDED BARK MULCH OVER TYPAR WEED FABRIC WITH EDGING. EDGING TO BE INSTALLED BETWEEN DIFFERENT TYPES OF MULCHES, BETWEEN MULCHES AND TURF, AND/OR WHERE SPECIFICALLY NOTED ON THE PLAN. REFER TO SPECIFICATION 32 93 00 PLANTS FOR ADDITIONAL INFORMATION.
- INSTALL SHOVEL CUT EDGE AROUND ALL INDIVIDUAL TREES AND SHRUBS IN LAWN AREAS AND ALONG PAVEMENT WHERE PLANTING AREAS ABUT TO PREVENT HARDWOOD SHREDDED BARK MULCH FROM SPILLING OUT OF PLANTING AREA.
- CONTRACTOR RESPONSIBLE FOR MAINTENANCE OF PLANT MATERIAL FOR 90 DAYS FROM INSTALLATION, INCLUDING WATERING, WEEDING, ETC. CONTRACTOR IS RESPONSIBLE FOR MAINTENANCE OF SEEDING AREAS FOR 60 DAYS FROM INSTALLATION, INCLUDING WATERING, WEEDING, ETC. CONTRACTOR TO PROVIDE AND REVIEW MAINTENANCE INSTRUCTIONS WITH THE OWNER PRIOR TO THE COMPLETION OF THESE MAINTENANCE PERIODS. REFER TO SPECIFICATIONS FOR ADDITIONAL REQUIREMENTS.
- CLEANLY PRUNE AND REMOVE DAMAGED BRANCHES, DEAD WOOD, AND ROOTS IMMEDIATELY PRIOR TO PLANTING. DO NOT CUT LEADERS OR LEAVE "V" CROTCHES OR DOUBLE LEADERS UNLESS A MULTI-STEM TREE IS SPECIFIED.
- REMOVE BURLAP, WIRE BASKET, ROPE, TWINE, AND ALL SYNTHETIC MATERIAL FROM THE ROOTS, TRUNK, OR CROWN OF PLANT.
- REMOVE EXCESS SOIL ABOVE ROOT COLLAR.
- PLANT TREES AND SHRUBS SO THAT THE ROOT COLLAR IS 2" ABOVE FINISHED GRADE OR SEVERAL INCHES ABOVE GRADE IF PLANT IS INSTALLED IN POOR SOILS.
- PLANT TREES AND SHRUBS WITH SAME ORIENTATION AS WHEN HARVESTED FROM THE NURSERY OR TO SHOWCASE THE MOST AESTHETIC VIEW.
- PLANT ALL TREES WITH THREE SLOW RELEASE FERTILIZER PACKETS, SPACED EQUIDISTANT AROUND THE EDGE OF THE ROOT BALL.
- PLANT ALL SHRUBS WITH ONE SLOW RELEASE FERTILIZER PACKET, PLACED BELOW THE ROOTING SYSTEM.
- WATER AND TAMP BACKFILL AND ROOTS OF ALL NEWLY SET PLANT MATERIAL SO THE SOIL AND ROOTS ARE THOROUGHLY SOAKED AND AIR POCKETS ARE REMOVED.
- FOR INDIVIDUAL TREES & SHRUBS PLANTED IN TURF AREAS, PROVIDE CONTINUOUS 3" SOIL SAUCER TO CONTAIN WATER & MULCH (TREES ON SLOPES SHALL BE SAUCERED ON THE DOWNHILL SIDE)
- INSTALL 3" THICK SHREDDED HARDWOOD BARK MULCH RING 3'-0" DIA. FOR DECIDUOUS TREES AND ALL INDIVIDUAL SHRUBS IN LAWN AREAS, 5'-0" DIA. FOR EVERGREEN TREES, KEEP MULCH 2" AWAY FROM TRUNKS.
- STAKING - ONLY STAKE EVERGREEN TREES 5'-0" OR GREATER IN HEIGHT OR TREES THAT ARE UNABLE TO REMAIN UPRIGHT AFTER PLANTING. TREES WILL BECOME STRONGER FASTER WHEN THE TOP 2/3 OF THE TREE IS FREE TO SWAY. DO NOT ATTACH WIRE DIRECTLY TO TREES OR THROUGH HOSES - UTILIZE GROMMETED, SYNTHETIC STRAPS AT LEAST 2" WIDE AROUND THE TREE, ATTACH STRAPPING TO STAKE WITH WIRE. STAKE ONLY WHEN NECESSARY. STAKES SHOULD BE DRIVEN DEEPLY INTO THE GROUND TO PREVENT DISLODGING. CHECK AT LEAST EVERY THREE MONTHS FOR BINDING OR OTHER PROBLEMS. STAKES AND TIES SHOULD BE REMOVED SIX MONTHS TO ONE YEAR AFTER PLANTING.
- REFER TO SPECIFICATIONS 32 93 00 PLANTS AND 32 92 00 TURF AND GRASSES FOR ADDITIONAL INFORMATION.

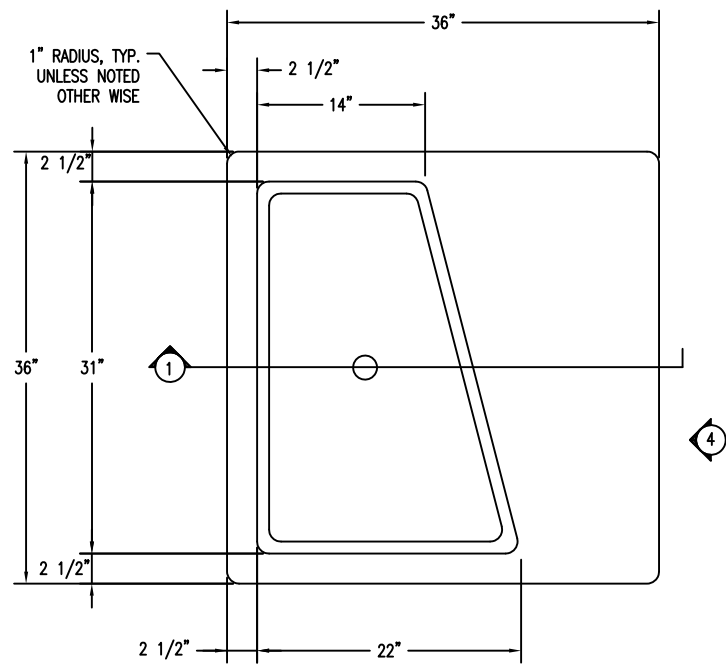
2 LANDSCAPE NOTES
REFER TO SPECIFICATIONS FOR ADDITIONAL INFORMATION



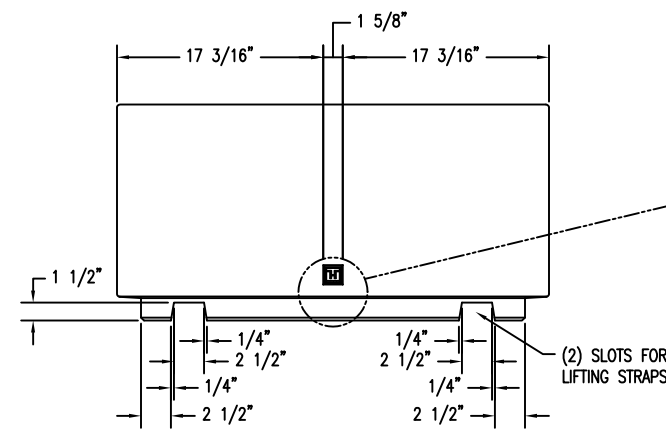
1 PLANTER CROSS SECTION
Scale: 1/8" = 1"



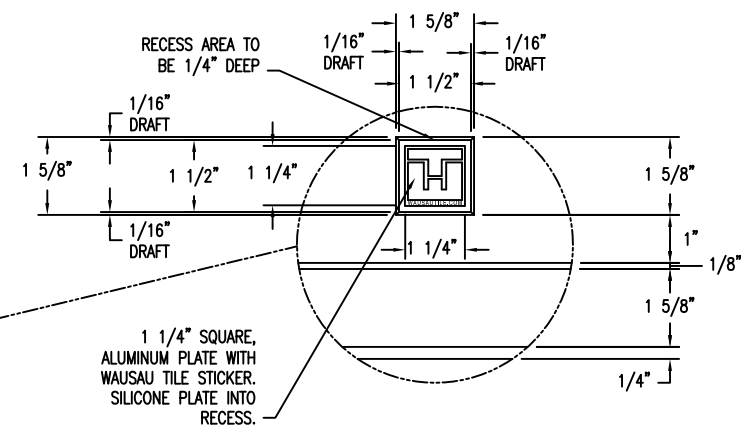
3 PLANTER BOTTOM VIEW
Scale: 1/8" = 1"



2 PLANTER TOP VIEW
Scale: 1/8" = 1"

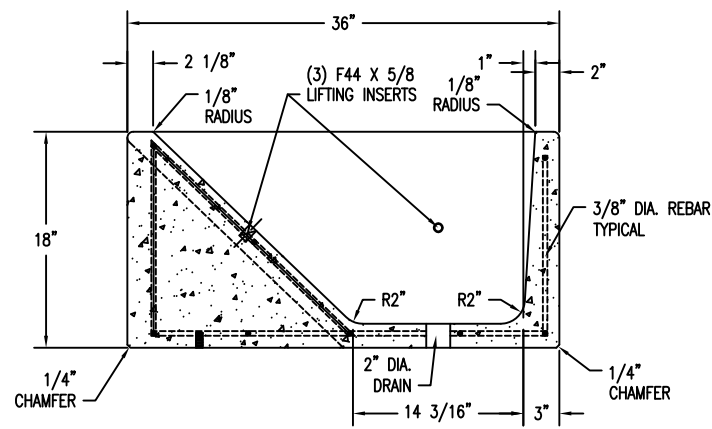


4 ELEVATION VIEW
Scale: 1/8" = 1"

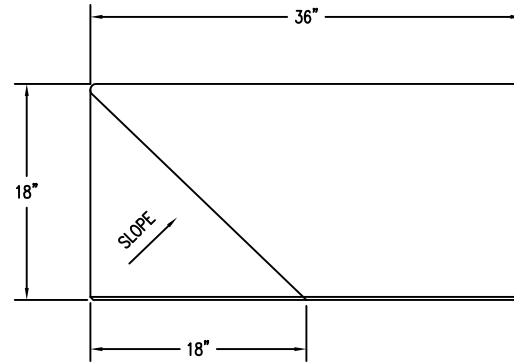


5 RECESS BLOCK OUT FOR EMBLEM
Scale: 1/2" = 1"

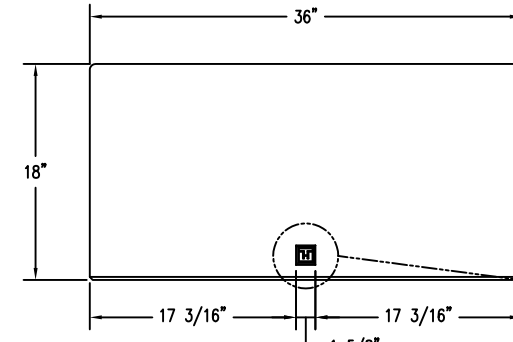
WAUSAU TILE SITE FURNISHINGS						P.O. BOX 1520 WAUSAU, WISCONSIN 54402-1520 800/388-8728 E-MAIL: WTL@WAUSAUTILE.COM WEB SITE: WWW.WAUSAUTILE.COM	
REVISIONS			DRAWN BY P.A.W.		JOB		MATERIAL CONCRETE
NO.	DATE	BY	NO.	DATE	BY	JOB NO.	LOCATION
1	12/2/09	PAW	4				
2			5			SCALE AS NOTED	UNLESS OTHERWISE SPECIFIED DIMENSIONS ARE IN INCHES TOLERANCES: ± 1/8"
3			6				DATE 1/22/09 FINISH OPTIONS
						WEIGHT 1,300 LBS	ITEM NO. WS-123
						DWG. NO. 1 OF 1	



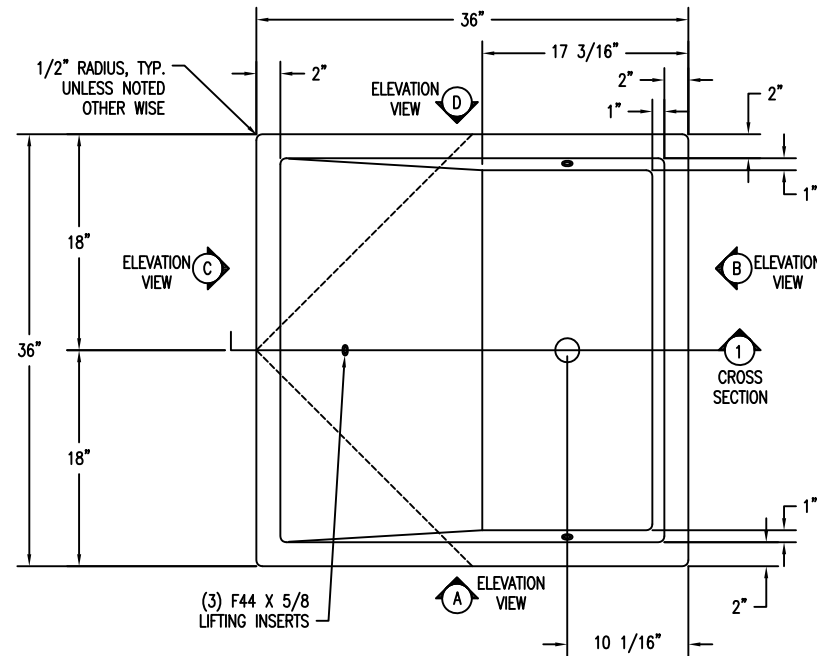
1 PLANTER CROSS SECTION
Scale: 1 1/2" = 1'



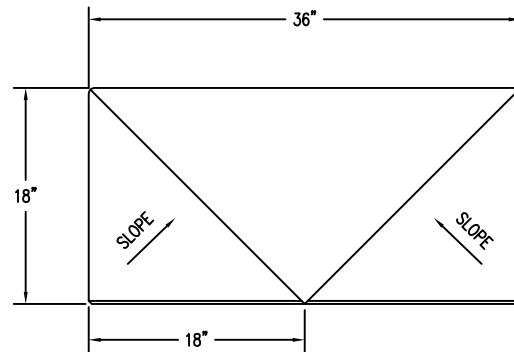
A ELEVATION VIEW
Scale: 1 1/2" = 1'



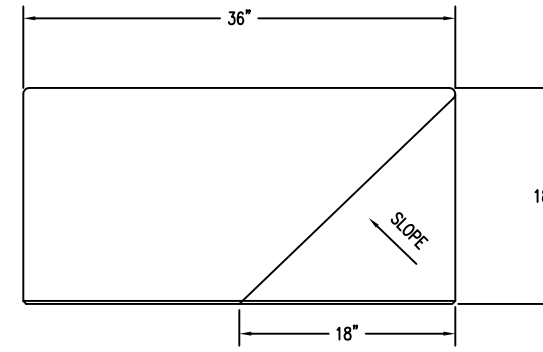
B ELEVATION VIEW
Scale: 1 1/2" = 1'



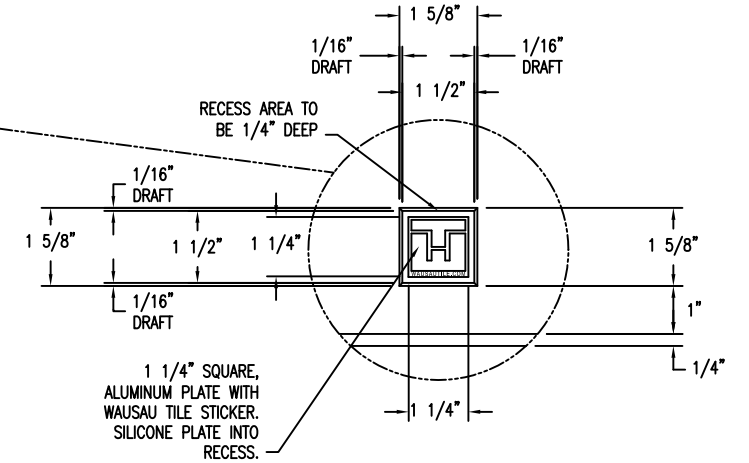
2 PLANTER TOP VIEW
Scale: 1 1/2" = 1'



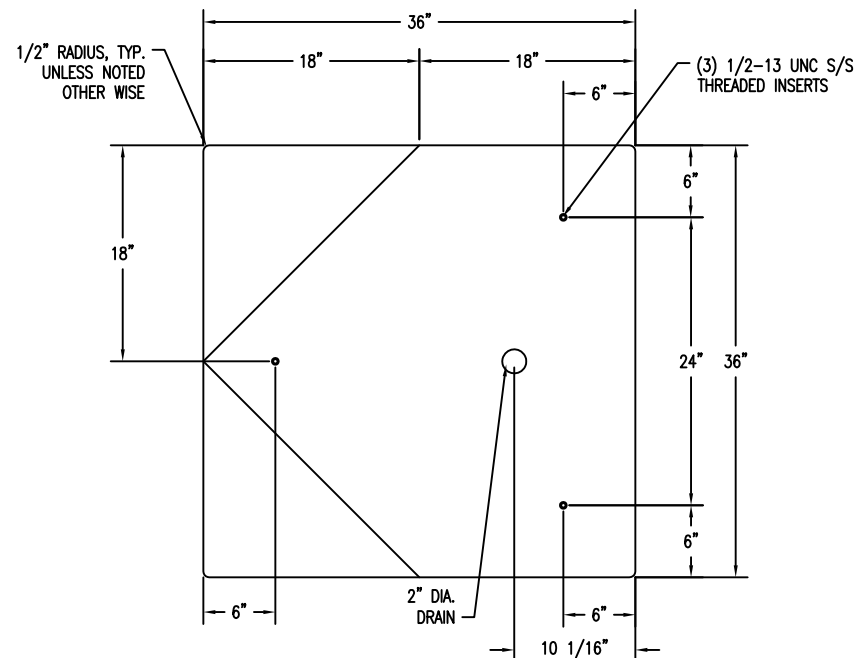
C ELEVATION VIEW
Scale: 1 1/2" = 1'



D ELEVATION VIEW
Scale: 1 1/2" = 1'

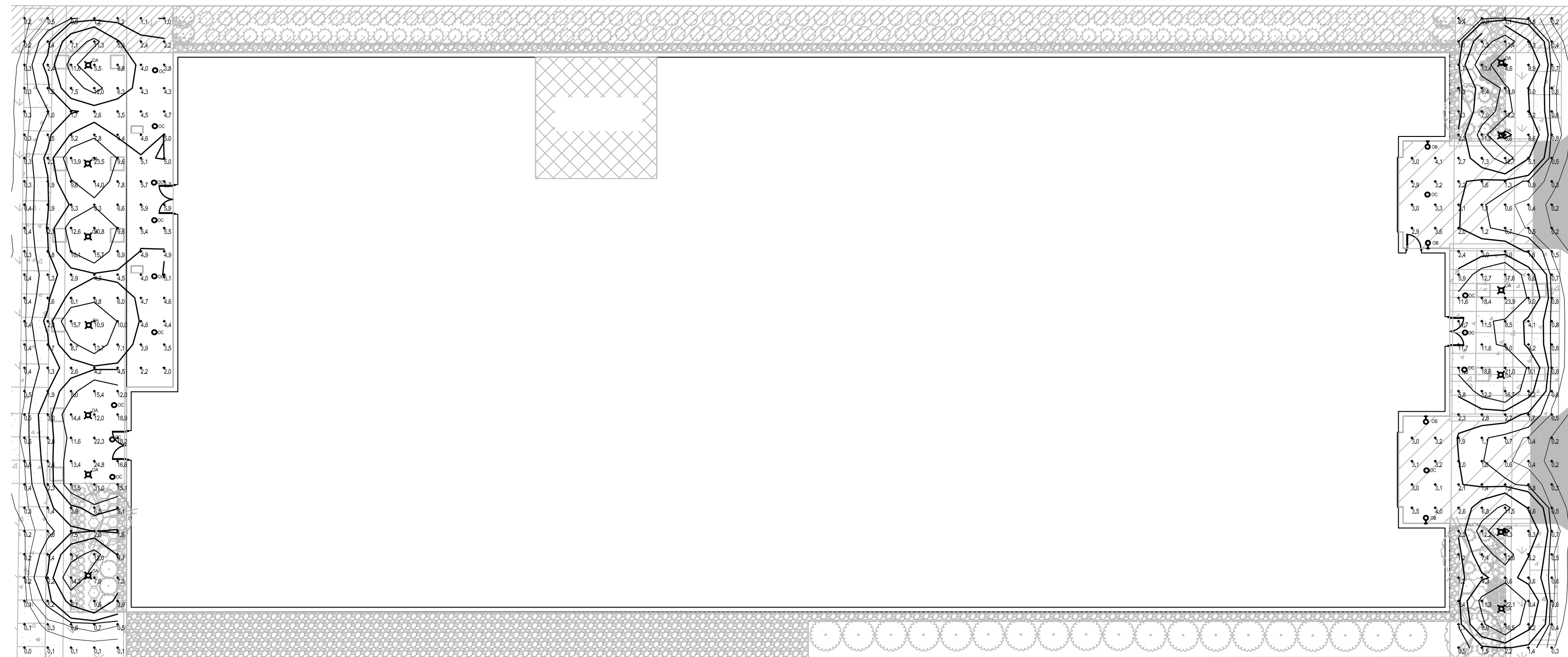


4 RECESS BLOCK OUT FOR EMBLEM
Scale: 1/2" = 1'



3 PLANTER BOTTOM VIEW
Scale: 1 1/2" = 1'

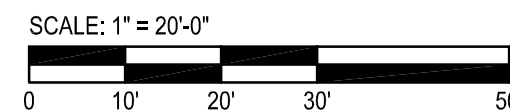
WAUSAU TILE SITE FURNISHINGS						P.O. BOX 1520 WAUSAU, WISCONSIN 54402-1520 800/388-8728		
E-MAIL: WTL@WAUSAUTILE.COM						WEB SITE: WWW.WAUSAUTILE.COM		
REVISIONS			DRAWN BY P.A.W.		JOB		MATERIAL CONCRETE	
NO.	DATE	BY	NO.	DATE	BY	JOB NO.	LOCATION	
1	12/2/09	PAW	4				WEIGHT 850 LBS	
2			5			SCALE AS NOTED	UNLESS OTHERWISE SPECIFIED TOLERANCES: ± 1/8"	
3			6				DATE 1/28/09	ITEM NO.
							FINISH OPTIONS	DWG. NO. WS-124



Calculation Summary							
Label	CalcType	Units	Avg	Max	Min	Avg/Min	Max/Min
Arlington	Illuminance	Fc	4.68	31.0	0.0	N.A.	N.A.
Franklin	Illuminance	Fc	4.00	23.9	0.0	N.A.	N.A.

Luminaire Schedule					
Symbol	Qty	Label	Description	Tag	Total Watts
	13	DSXB_LED_16C_530_40K_SYM	Bollard	OA	364
	4	OLLWD	Wall Sconce	OB	34.4
	14	WF6_LED_40K	WF6 LED 40K	OC	189

Isoline Legend	
Illuminance (Fc)	
Color	Value
	0.25
	0.5
	1
	2
	5
	10



FRANKLIN PLACE REDEVELOPMENT

ES100 - LIGHTING POINT-BY-POINT CALCULATIONS





D-Series LED Bollard



d^{series}

Specifications

- Diameter:** 8" Round (20.3 cm)
- Height:** 42" (106.7 cm)
- Weight (max):** 27 lbs (12.25 kg)



Ordering Information

EXAMPLE: DSXB LED 16C 700 40K SYM MVOLT DDBXD

DSXB LED	LEDs	Drive current	Color temperature	Distribution	Voltage	Control options	Other options	Finish (optional)
DSXB LED	Asymmetric 12C 12 LEDs ¹	350 350 mA 450 450 mA ^{1,4} 530 530 mA 700 700 mA	30K 3000 K 40K 4000 K 50K 5000 K AMBPC Amber phosphor converted AMBLW Amber limited wavelength ^{1,4}	ASY Asymmetric ¹ SYM Symmetric ²	MVOLT ³ 120 ⁵ 208 ⁵ 240 ⁵ 277 ⁵ 347 ⁵	Shipped PE Photoelectric cell, button type DMG 0-10V dimming driver (no controls) ELCW Emergency battery backup ⁶	Installed SF Single fuse (20, 277, 347V) ^{7,8} DF Double fuse (208, 240V) ^{4,7} H24 24" overall height H30 30" overall height H36 36" overall height FG Ground-fault festoon outlet L/AB Without anchor bolts L/AB4 4-bolt retrofit case without anchor bolts ⁵	DWHXD White DNAXD Natural aluminum DDBXD Dark bronze DBLXD Black DDBTXD Textured dark bronze DDBLXD Textured black DNATXD Textured natural aluminum DWHGXD Textured white

Accessories

Ordered and shipped separately.

- MRAB U Anchor bolts for DSXB⁴

NOTES

- 1 Only available in the 12C, ASY version.
- 2 Only available in the 16C, SYM version.
- 3 Only available with 450 AMBLW version.
- 4 Not available with ELCW.
- 5 MVOLT driver operates on any line voltage from 120-277V (50/60 Hz). Specify 120, 208, 240 or 277 options only when ordering with fusing (SF, DF options), or photocontrol (PE option).
- 6 Not available with 347V. Not available with fusing. Not available with 450 AMBLW.
- 7 Single fuse (SF) requires 120, 277, or 347 voltage option. Double fuse (DF) requires 208 or 240 voltage option.
- 8 MRAB U not available with L/AB4 option.



One Lithonia Way • Conyers, Georgia 30012 • Phone: 800.279.8041 • www.lithonia.com
© 2012-2017 Acuity Brands Lighting, Inc. All rights reserved.

Performance Data

Lumen values are from photometric tests performed in accordance with IESNA LM-79-08. Data is considered to be representative of the configurations shown, within the tolerances allowed by Lighting Facts. Actual performance may differ as a result of end-user environment and application. Actual wattage may differ by +/- 8% when operating between 120-480V +/- 10%.

Light Engines	Drive Current	System Watts	4000 K					5000 K					5000 K					Limited Wavelength Amber									
			Lumens	LPW	B	U	G	Lumens	LPW	B	U	G	Lumens	LPW	B	U	G	Lumens	LPW	B	U	G					
Asymmetric (12 LEDs)	350	16	1,194	75	1	0	1	1,283	80	1	0	1	1,291	81	1	0	1										
	530	22	1,719	78	1	0	1	1,847	84	1	0	1	1,859	85	1	0	1										
	700	31	2,173	70	1	0	1	2,335	75	1	0	1	2,349	76	1	0	1										
	Amber 450	16																348	22	1	0	1					
Symmetric (16 LEDs)	350	20	1,558	78	1	0	0	1,674	84	1	0	0	1,685	84	1	0	0										
	530	28	2,232	80	2	0	1	2,397	86	2	0	1	2,412	86	2	0	1										
	700	39	2,802	72	2	0	1	3,009	77	2	0	1	3,028	78	2	0	1										
	Amber 450	20																419	21	1	0	1					

Note: Available with phosphor-converted amber LED's (nomenclature AMBPC). These LED's produce light with 97+% >530 nm. Output can be calculated by applying a 0.7 factor to 4000 K lumen values and photometric files.

Projected LED Lumen Maintenance

Data references the extrapolated performance projections for the platforms noted in a 25°C ambient, based on 10,000 hours of LED testing (tested per IESNA LM-80-08 and projected per IESNA TM-21-11).

To calculate LLF, use the lumen maintenance factor that corresponds to the desired number of operating hours below. For other lumen maintenance values, contact factory.

Operating Hours	0	25,000	50,000	100,000
Lumen Maintenance Factor	1.00	0.98	0.97	0.95

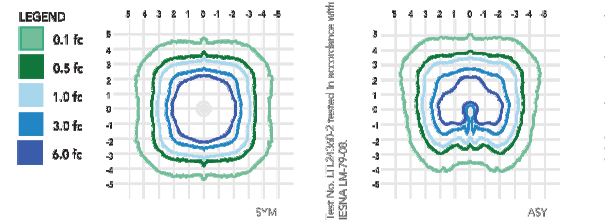
Electrical Load

Light Engines	Drive Current (mA)	System Watts	Current (A)				
			120	208	240	277	347
12C	350	16W	0.138	0.118	0.114	0.109	0.105
	530	22W	0.217	0.186	0.186	0.128	0.118
	700	31W	0.296	0.185	0.168	0.152	0.139
	Amber 450	16W	0.161	0.120	0.115	0.110	0.106
16C	350	20W	0.197	0.197	0.128	0.121	0.114
	530	28W	0.282	0.178	0.162	0.148	0.135
	700	39W	0.385	0.231	0.207	0.185	0.169
	Amber 450	20W	0.199	0.139	0.130	0.122	0.116

Photometric Diagrams

To see complete photometric reports or download .ies files for this product, visit Lithonia Lighting's D-Series Bollard homepage.

Isofootcandle plots for the DSXB LED 700 40K. Distances are in units of mounting height (3').



FEATURES & SPECIFICATIONS

INTENDED USE

The rugged construction and maintenance-free performance of the D-Series LED Bollard is ideal for illuminating building entryways, walking paths and pedestrian plazas, as well as any other location requiring a low-mounting-height light source.

CONSTRUCTION

One-piece 8-inch-round extruded aluminum shaft with thick side walls for extreme durability, and die-cast aluminum reflector and top cap. Die-cast aluminum mounting ring allows for easy leveling even in uneven areas and full 360-degree rotation for precise alignment during installation. Three 1/2" x 11" anchor bolts with double nuts and washers and 3-5/8" max. bolt circle template ensure stability. Overall height: is 42" standard.

FINISH

Exterior parts are protected by a zinc-infused super durable TG/C thermoset powder coat finish that provides superior resistance to corrosion and weathering for maximum retention of gloss and luster. A tightly controlled multi-stage process ensures a minimum 3-mil thickness for a finish that can withstand the elements without cracking or peeling. Available in both textured and non-textured finishes.

OPTICS

Two 0% uplight optical distributions are available: symmetrical and asymmetrical. IP66 sealed LED light engine provides smoothly graduated illumination without uplight. Light engines are available in standard 4000 K (>70 CRI) or optional 3000 K (>80 CRI) or 5000 K (67 CRI). Limited-wavelength amber LEDs are also available.

ELECTRICAL

Light engines consist of high-efficiency LEDs mounted to metal-core circuit boards to maximize heat dissipation and promote long life (L95/100,000 hours at 700mA at 25°C). Class 2 electronic drivers are designed for an expected life of 100,000 hours with < 1% failure rate. Electrical components are mounted on a removable power tray.

LISTINGS

CSA certified to U.S. and Canadian standards. Light engines are IP66 rated. Rated for -40°C minimum ambient. Cold-weather emergency battery backup rated for -20°C minimum ambient.

WARRANTY

Five-year limited warranty. Complete warranty terms located at: www.acuitybrands.com/CustomerResources/Terms_and_conditions.aspx.

Note: Actual performance may differ as a result of end-user environment and application.

All values are design or typical values, measured under laboratory conditions at 25°C. Specifications subject to change without notice.



One Lithonia Way • Conyers, Georgia 30012 • Phone: 800.279.8041 • www.lithonia.com
© 2012-2017 Acuity Brands Lighting, Inc. All rights reserved.

DSXB-LED
Rev. 2/6/17

FRANKLIN PLACE REDEVELOPMENT

ES101 - "OA" LIGHTING CUT SHEET



03/23/17 15316
© Epstein Uhlen Architects, Inc.



FEATURES & SPECIFICATIONS

INTENDED USE

Provides years of maintenance-free illumination for outdoor use in residential & commercial applications. Ideal for applications such as lighting walkways and stairways for safety and security.

CONSTRUCTION

Cast-aluminum housing with corrosion-resistant paint in either dark bronze or white finish.

ADA compliant.

OPTICS

4000K CCT LEDs.

Polycarbonate lens protects the LED from moisture, dirt and other contaminants.

LUMEN MAINTENANCE: The LED will deliver 70% of its initial lumens at 50,000 hour average LED life. See Lighting Facts label on page 2 for performance details.

ELECTRICAL

MVOLT driver operates on any line voltage from 120-277V

Operating temperature -30°C to 40°C.

1KV surge protection standard.

INSTALLATION

Surface mounts to universal junction box (provided by others).

LISTINGS

UL Listed to U.S. and Canadian safety standards for wet locations.

Tested in accordance with IESNA LM-79 and LM-80 standards.

WARRANTY — 5-year limited warranty. Complete warranty terms located at www.acuitybrands.com/CustomerResources/Terms_and_conditions.aspx

Actual performance may differ as a result of end-user environment and application.

All values are design or typical values, measured under laboratory conditions at 25 °C.

Note: Specifications subject to change without notice.

Catalog Number	
Notes	
Type	OB

Outdoor General Purpose

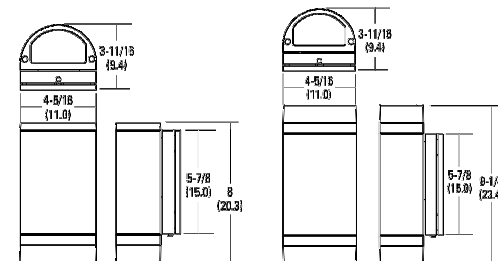
OLLWD & OLLWU

LED WALL CYLINDER LIGHT



Specifications

All dimensions are inches (centimeters)



ORDERING INFORMATION For shortest lead times, configure products using **bolded options**.

Example: OLLWD LED P1 40K MVOLT DDB

Series	Color temperature (CCT)	Voltage	Finish
OLLWD LED Downlight	40K 4000K	MVOLT 120V-277V	DDB Dark bronze
OLLWU LED Up & downlight	40K 4000K	120 120V ¹	WH White

Notes
1 Only available with OLLWU and in DDB.

DECORATIVE INDDOR & OUTDOOR

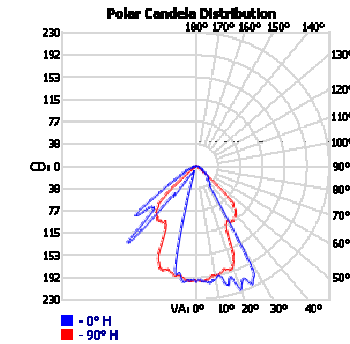
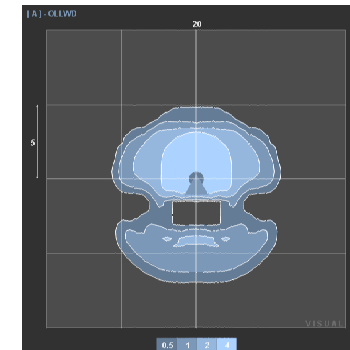
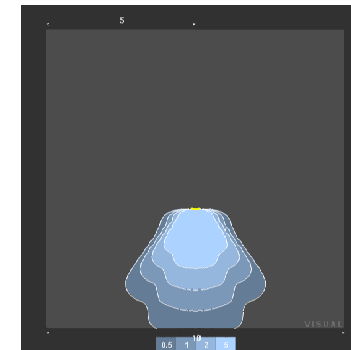
OLLWD-OLLWU

OLLWD & OLLWU LED Wall Cylinder Light

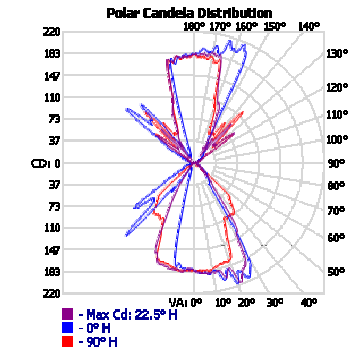
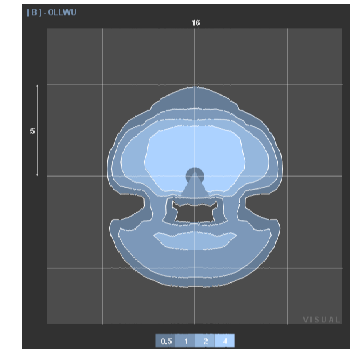
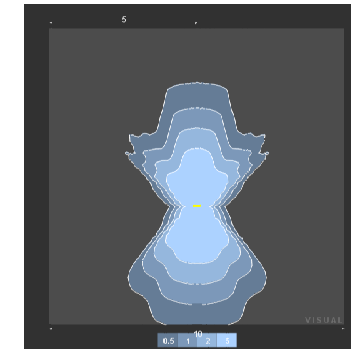
PHOTOMETRICS

To see complete photometric reports or download .ies files for this product, visit Lithonia Lighting's Outdoor LED homepage. Tested in accordance with IESNA LM-79 and LM-80 standards.

OLLWD



OLLWU



OLLWD

LED lighting facts
A Program of the U.S. DOE

Light Output (Lumens) **533**
Watts **9.1**
Lumens per Watt (Efficacy) **58.63**

Color Accuracy
Color Rendering Index (CRI) **70**

Light Color
Correlated Color Temperature (CCT) **4000 (Bright White)**

Warm White 3000K Bright White 4500K Daylight 6500K

All results are according to IESNA LM-79, 2008. Approved Method for the Electrical and Photometric Testing of Solid-State Lighting. The U.S. Department of Energy (DOE) reserves product test data and results.

Visit www.lightingfacts.com for the Label Reference Guide.

Registration Number: 60284-5987-9417 (7/22/2013)
Model Number: OLLWD LED P1 40K XXXXX XXX
Type: Luminaire - Other

OLLWU

LED lighting facts
A Program of the U.S. DOE

Light Output (Lumens) **947**
Watts **14**
Lumens per Watt (Efficacy) **67.64**

Color Accuracy
Color Rendering Index (CRI) **70**

Light Color
Correlated Color Temperature (CCT) **4000 (Bright White)**

Warm White 3000K Bright White 4500K Daylight 6500K

All results are according to IESNA LM-79, 2008. Approved Method for the Electrical and Photometric Testing of Solid-State Lighting. The U.S. Department of Energy (DOE) reserves product test data and results.

Visit www.lightingfacts.com for the Label Reference Guide.

Registration Number: 60284-5987-9417 (7/22/2013)
Model Number: OLLWU LED P1 40K XXXXX XXX
Type: Luminaire - Other



DECORATIVE INDDOR & OUTDOOR: One Lithonia Way, Conyers, GA 30012 Phone: 1-800-279-8041 www.lithonia.com

© 2012-2017 Acuity Brands Lighting, Inc. All rights reserved. Rev. 02/27/17

FRANKLIN PLACE REDEVELOPMENT

ES102 - "OB" LIGHTING CUT SHEET



03/23/17 15316
© Epstein Uhen Architects, Inc.

FEATURES & SPECIFICATIONS

INTENDED USE — The 6" Wafer-Thin LED recessed downlight with remote driver box combination light output and efficiency while eliminating the pot light housing for competitive affordability. This innovative wafer-slim Type IC design allows easy installation for new construction or remodeling below the ceiling without the requirement of a pot light housing. The LED module maintains at least 70% light output for 36,000 hours. These LED Wafer downlights are intended for closets, attics, bathrooms, kitchens, basements, soffits, entry ways, porches, garages, stairwells, corridors, dining/retirement homes, condos, elevators, apartments, and any other small areas.

CONSTRUCTION — Ideal for shallow ceiling plenum since a pot light housing is NOT required. driver and fixture - approved for direct contact with insulation. Aluminum die cast outer frame, powder coat paint to prevent rust. Round fixture with integral edge-lit LED's. Steel spring clip installation. Plenum rated cable connector to connect from module to remote driver box. driver integrated inside steel remote box with four 7/8" knockouts with slots for pryout. Not for pulling wires.

INSTALLATION — Ideal for shallow ceiling plenum; no housing required. Steel spring clip installation. 6" cut out template is provided to ensure a correct sized hole is cut into ceiling for proper installation of the trim. Size of hole should not exceed 6 1/4 inches for this product.

OPTICS — Wafer-Thin downlight edge-lit LED technology uses light guided plate to distribute light. Polycarbonate lens provides even illumination throughout the space. Utilized 3000K and 400 temperature LEDs.

ELECTRICAL — Connect directly to 120V power supply via provided UL recognized driver. High driver with power factor > 0.9. Ambient operating temperature: -40°F (-40°C) to +104°F (40°C). Dimming down to 10% (See page 2 for recommended dimmers). Standard input wattage is 13 lumens per watt.

LISTINGS — CSA certified to US and Canadian safety standards. ENERGY STAR® certified product location. Air Tight certified in accordance with ASTM E283-2004.

WARRANTY — 5-year limited warranty. Complete warranty terms located at: www.acuitybrands.com/CustomerResources/Terms_and_conditions.aspx

Note: Actual performance may differ as a result of end-user environment and application. All values are design or typical values, measured under laboratory conditions at 25 °C. Specifications subject to change without notice.

Catalog Number
Notes
Type OC

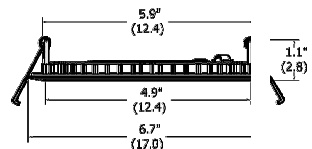
Wafer LED Recessed Downlight
WF6
6" LED Module

IC/Non-IC
New Construction/Remodel

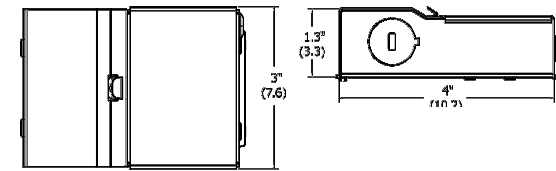


Specifications

Aperture: 4.9 (12.4)
Ceiling opening: 6 (15.2)
Overlap trim: 6.7 (17)
Height: 1.1 (2.8)



All dimensions are inches (centimeters) unless otherwise indicated.



ORDERING INFORMATION For shortest lead times, configure product using standard

WF6 Series	Lamp
WF6 6" wafer-thin LED downlight	LED LED
	LL LED Low Lumen LED

Examples (shown in bold): Example: **WF6 LED 30K MW**

CCT/CRI/W/Lumens ¹	Finish
30K 3000K/80CRI/13W/1020L	MW Matte white
40K 4000K/80CRI/13.6W/1200L	MB Matte black
	BN Brushed nickel
	ORB Oil-rubbed bronze
30K 3000K/80CRI/12.6W/865L	
40K 4000K/80CRI/12.9W/944L	

Accessories: Order as separate catalog number.

WF6 PAN R12	6" new construction pan, retail pack of 12
WF6 R4	Remodel joist bar, retail pack of 4
WF6X6 U	6' FT4 cable
WF6X10 U	10' FT4 cable
WF6X20 U	20' FT4 cable



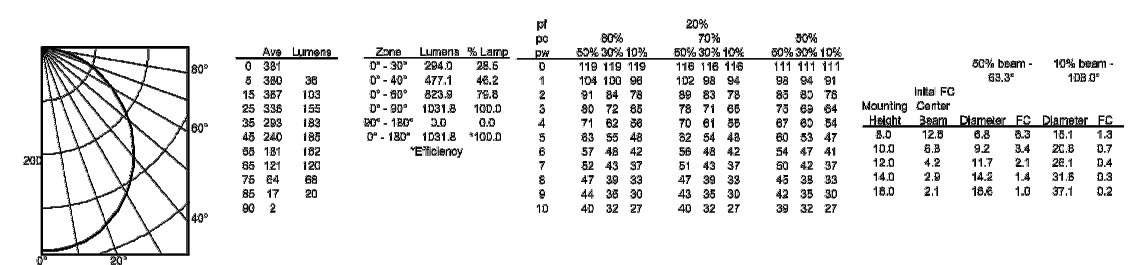
Notes
1 Total system delivered lumens.

WF6 6" LED Wafer Module

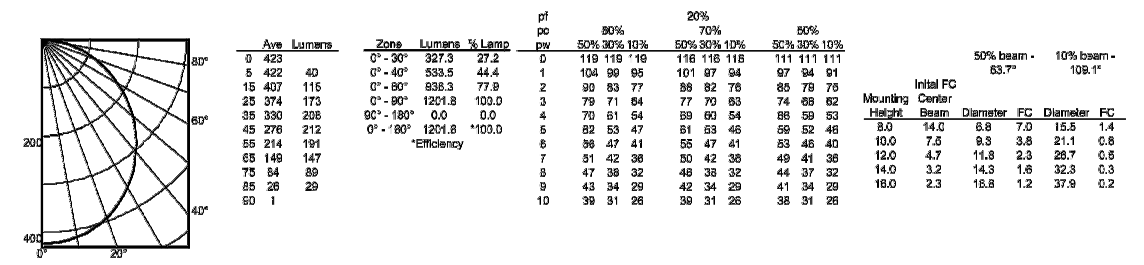
PHOTOMETRICS

Distribution Curve Distribution Data Output Data Coefficient of Utilization Illuminance Data at 30" Above Floor for a Single Luminaire

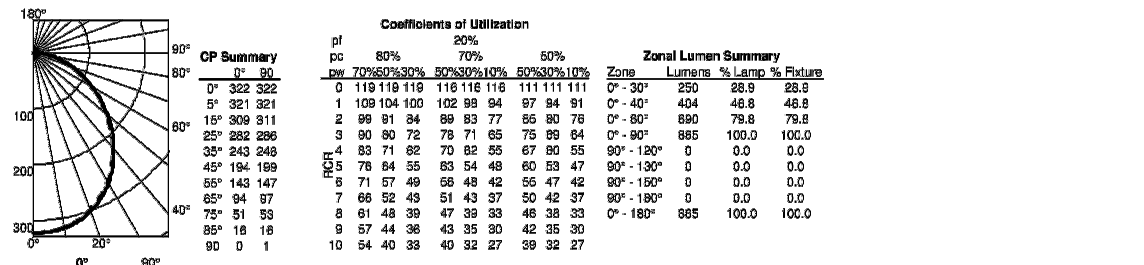
WF6 LED 30K, 3000 K LEDs, Input watts: 13, delivered lumens: 1020, LM/W=78.5, test no. ISF 30024



WF6 LED 40K, 4000 K LEDs, Input watts: 13.6, delivered lumens: 1200, LM/W=88.2, test no. ISF 30376



WF6 LL LED 30K, 3000 K LEDs, Input watts: 12.6, delivered lumens: 865, LM/W=68.7, test no. ISF 32781



WF6 LL LED 40K, 4000 K LEDs, Input watts: 12.9, delivered lumens: 944, LM/W=73.2, test no. ISF 32780

