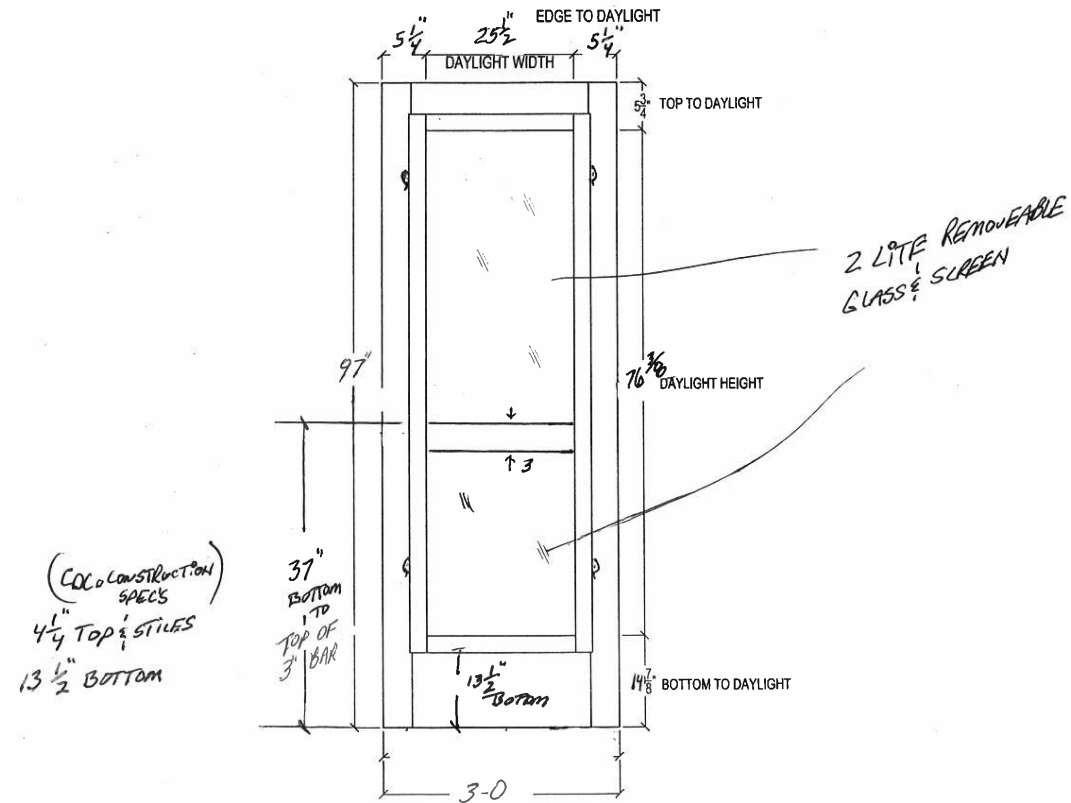


APPROVED BY:



COMBINATION ULTRA-VU DOORS W/ 2 LITE SASA & SCREENS

CDC 1000 Morris Street P. O. Box 1076 The Combination Door Company Fond du Lac, WI, 54936-1076 T: 920.922.2050 F: 920.922.2917	COMBINATION DOOR 3-0 x 8-1 x 1 1/8"	JOB # _____ DATE: _____
---	--	----------------------------

△ COMBINATION SCREEN DOOR ELEVATION