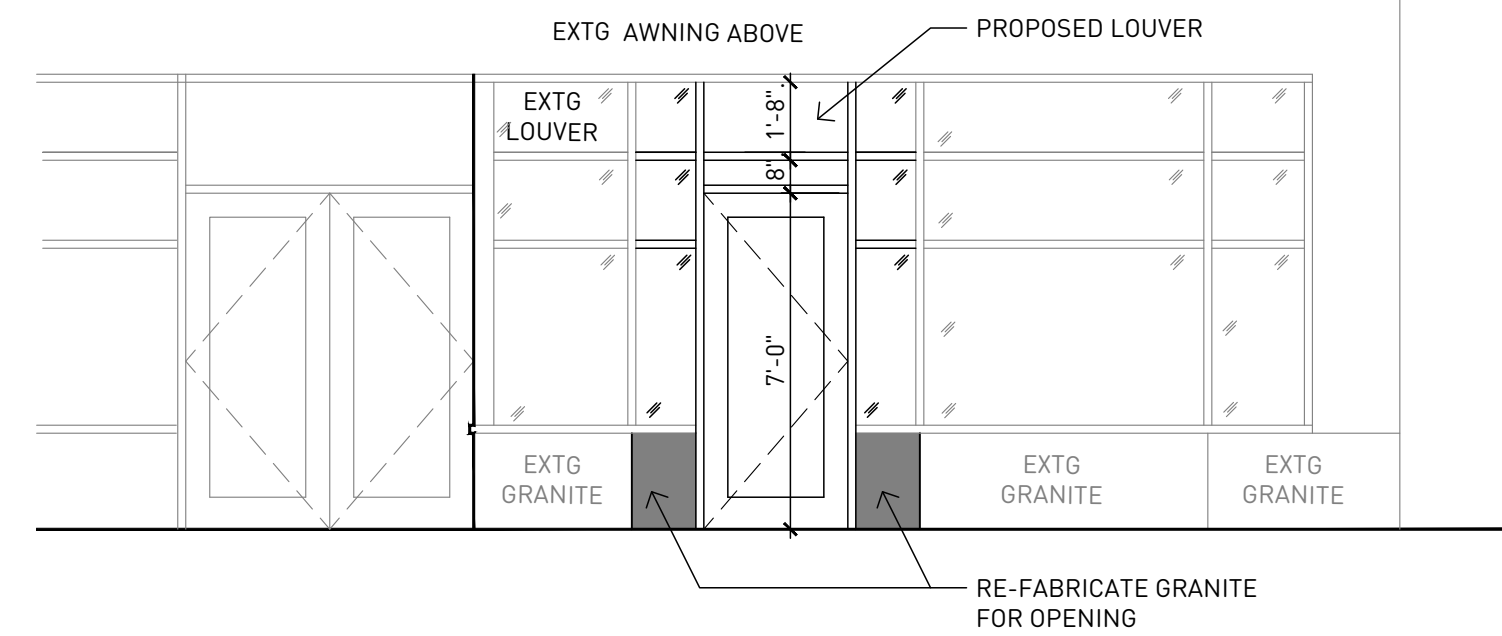
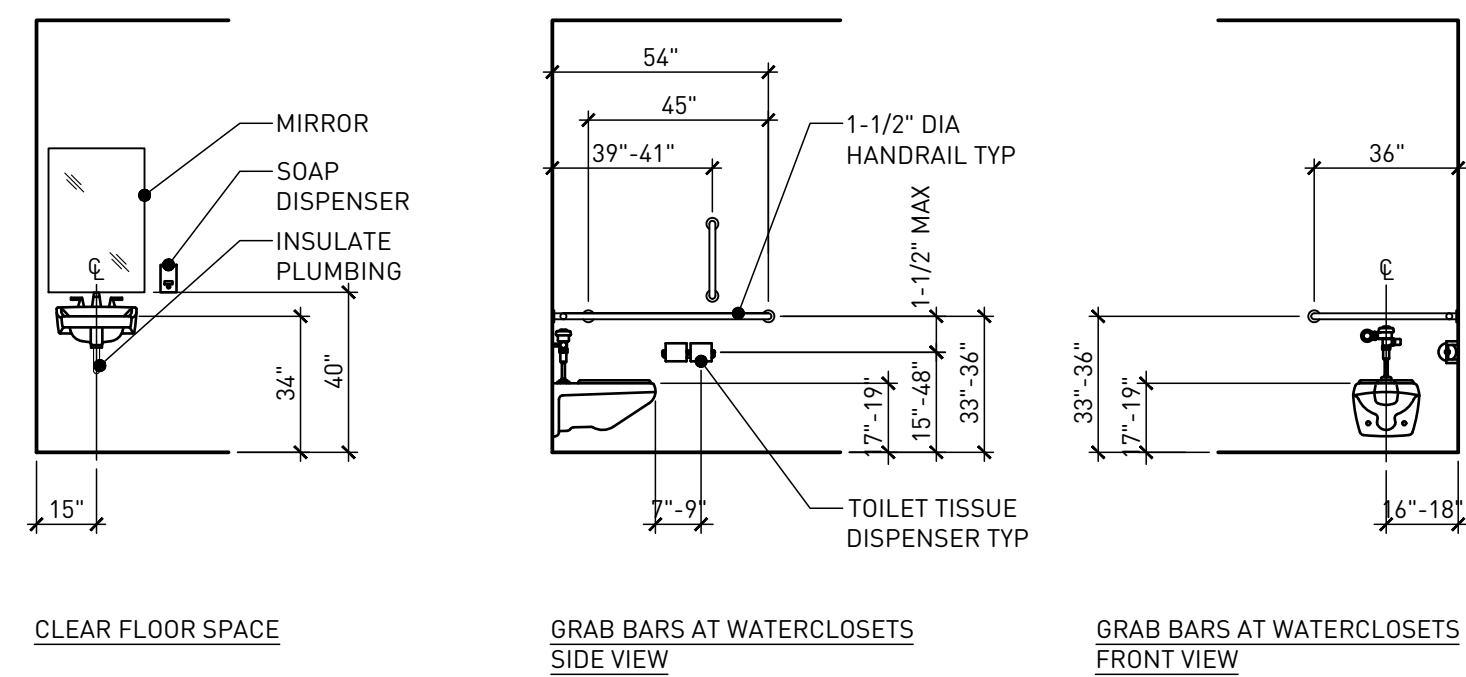


01 PARTIAL FLOOR PLAN SCALE - 1/4" = 1'-0"



02 PARTIAL EXTERIOR ELEVATION WEST SCALE - 1/4" = 1'-0"



TYPICAL ACCESSIBLE MOUNTING DIMENSIONS

BUILDING CODE

CONSTRUCTION TYPE	EXISTING BUILDING - TYPE 2A.
PROPOSED AREA OF ALTERATION	1, 100 SF - EXISTING COMMERCIAL SPACE.
OCCUPANCY CLASSIFICATION: OCCUPANCY SEPARATION PROVIDED: TENANT SEPARATION PROVIDED:	BUSINESS GROUP "B". S-2 TO B: 2- HOUR. B TO B: 1-HOUR.
DESIGN OCCUPANT LOAD TABLE 1006.1	12 OCCUPANTS. (1,100SF / 100 GROSS) ALLOWS ONE MEANS OF EGRESS
FIRE PROTECTION SYSTEMS	NOT SPRINKLERED.
SINGLE MEANS OF EGRESS +30 OCCUPANTS COMMON PATH OF TRAVEL (NS)	100- FEET ALLOWED. 81- FEET INDICATED.
EXIT ACCESS DISTANCE (NS)	200- FEET.
MIN PLUMBING FIXTURES	1 UNISEX TOILET ROOM REQUIRED.
BUILDING ENVELOPE (OPAQUE ASSY) TABLE 502.2(1)	EXTERIOR WALL: MASS R13.3 CONTINUOUS. FLOOR/ CEILING: MASS FLOOR R12.5 CONTINUOUS

FLOOR PLAN GENERAL NOTES

- DIMENSIONS ON FLOOR PLAN ARE NOMINAL.
- PROVIDE BLOCKING AT WALL MOUNTED ITEMS. COORDINATE WITH TENANT IMPROVEMENT DOCUMENTS.
- VERIFY ALL DIMENSIONS AND CONDITIONS AT JOB SITE. PORTIONS OF EXISTING CONSTRUCTION MAY HAVE BEEN REMOVED BY OWNER.
- MAINTAIN CONTINUOUS UTILITY SERVICE TO ALL SPACES IN THE BUILDING NOT AFFECTED BY THIS WORK. COORDINATE WITH OWNER ANY DISRUPTION IN SERVICES REQUIRED TO PERFORM WORK OR TO MODIFY EXISTING PIPING, DUCTWORK OR ANY ASSOCIATED EQUIPMENT.
- REFER TO TENANT IMPROVEMENT DOCUMENTS FOR ROOM FINISH SCHEDULE, MATERIALS SCHEDULE, AND NOTES.
- REFER TO TENANT IMPROVEMENT DOCUMENTS FOR DOOR REQUIREMENTS AND HARDWARE SELECTION.
- PROVIDE R12.5 CONTINUOUS INSULATION AT CONCRETE DECK ABOVE.
- PROVIDE BELOW-SLAB R10 RIGID INSULATION 2'-0" HORIZONTAL FROM ALL EXTERIOR WALLS.

FLOOR PLAN KEYED NOTES

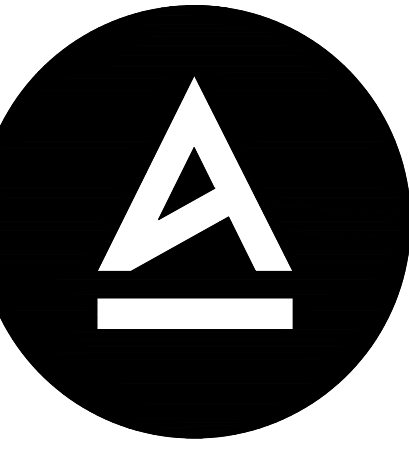
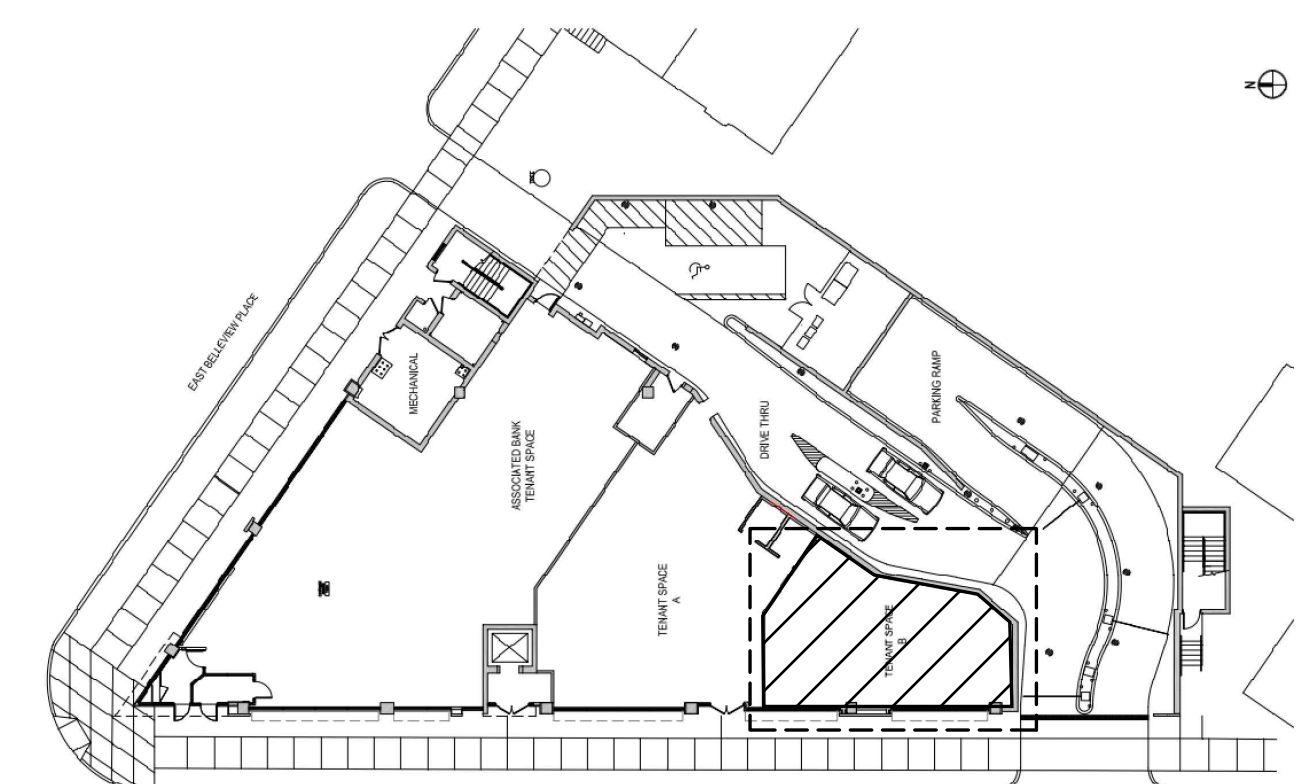
- COORDINATE VESTIBULE CONSTRUCTION WITH SELECTED VENDOR.
- MODIFY EXISTING STOREFRONT AND ADJACENT CONSTRUCTION FOR NEW DOOR.
- REPLACE EXISTING DOOR & FRAME WITH 90-MINUTE RATED DOOR & FRAME. PROVIDE THERMALLY INSULATED ASSEMBLY.
- INSULATE CONCRETE MASS DECK ASSEMBLY TO R12.5 CONTINUOUS MINIMUM.

INTERIOR PARTITION TYPE SCHEDULE

PRT-3	NON-COMBUSTIBLE PARTITION
	<ul style="list-style-type: none"> (1) LAYER 5/8" GYPSUM BOARD VAPOR RETARDER (6MIL POLY OR BETTER) SEAL ALL PENETRATIONS. 2-1/2" NSMF AT 16" OC DISENGAGED FROM EXISTING MASONRY WALL WITH THERMAL BATT INSULATION (MIN R-9) (1) LAYER 1" EXTRUDED POLYSTYRENE BOARD FASTENED TO EXISTING MASONRY WALL. (MIN R-5) EXTEND FULL HEIGHT TO DECK.
PRT-5	NON-COMBUSTIBLE NON-RATED PARTITION
	<ul style="list-style-type: none"> (1) LAYER 5/8" GYPSUM BOARD 3-5/8" NSMF AT 16" OC WITH SOUND ATTENUATING BATT INSULATION (1) LAYER 5/8" GYPSUM BOARD EXTEND TO 4" ABOVE FINISHED CEILING. LAY 6-INCH SOUND ATTENUATING BATT INSULATION TO 32" EACH SIDE OF PARTITION.

INTERIOR PARTITION TYPE SCHEDULE GENERAL NOTES

- ALL GYPSUM BOARD PARTITIONS SHALL BE PRT-5 UNLESS OTHERWISE NOTED ON FLOOR PLANS.
- SEAL ALL WALL PENETRATIONS AT PERIMETER AND FIRESTOP ALL FIRE RATED PARTITIONS.



ARC-INT ARCHITECTURE
131 WEST SEEBOTH ST
SUITE 230
MILWAUKEE WISCONSIN 53214
(414) 688 4368
arcint-architecture.com

PROJECT INFORMATION

2574 NORTH DOWNER AVENUE
TENANT IMPROVEMENT
2574 NORTH DOWNER AVENUE
MILWAUKEE, WISCONSIN 53211

DRAWING ISSUANCE HISTORY

PERMIT DOCUMENTS	09-09-2021
------------------	------------

SHEET INFORMATION

DATE	09-09-2021
PROJECT NUMBER	21006

SET TYPE

PERMIT DOCUMENTS

A100