

OPTION 2

APPROVED

By Tim Askin - Milwaukee HPC at 3:05 pm, Sep 09, 2021



1 [13569-01] PEPPER-KINN-CH-01
P_01 (1) Req'd 3/8" = 1' - 0" Scale



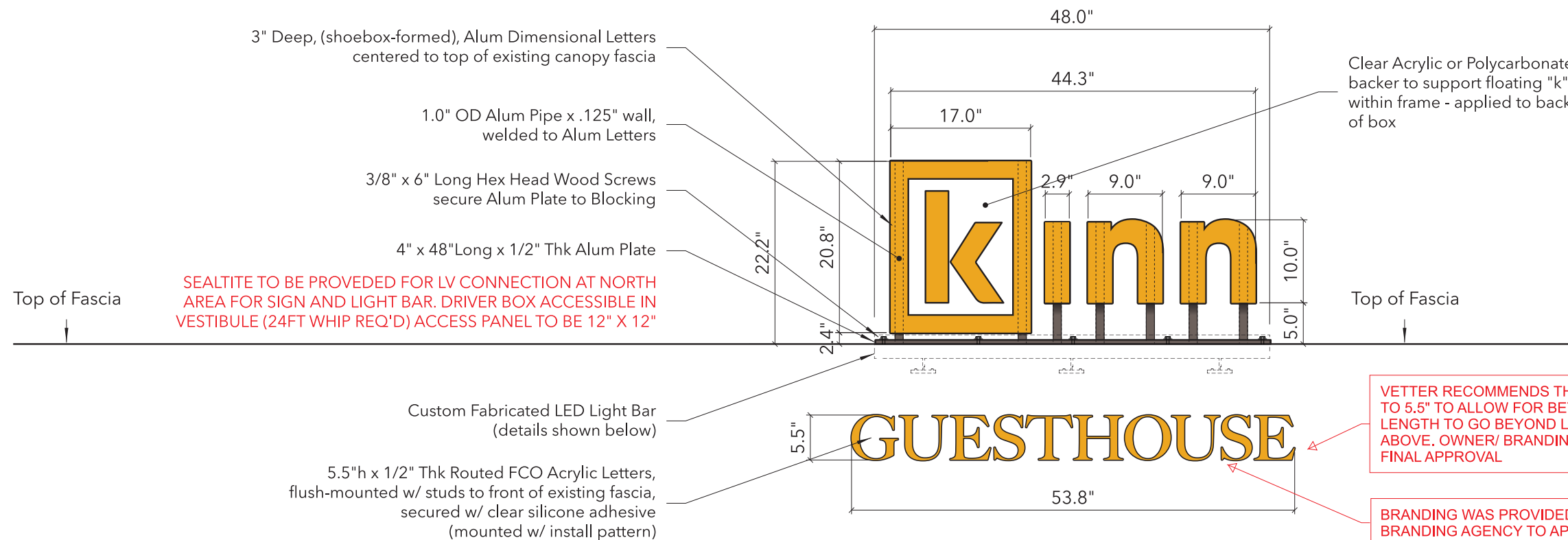
BRANDING AGENCY TO PROVIDE EXACT COLOR FOR THIS

COLOR SCHEDULE:

- 1. MAP Satin Finish, Painted to Match "kinn" gold
- MAP Satin Dark Bronze Painted Finish

PEPPER TO SHARE METAL FLASHING SAMPLE TO SIGN EFFECTZ TO COORDINATE MATCHING COLOR

2 FRONT DETAIL
P_01 3/4" = 1' - 0" Scale



VETTER RECOMMENDS THAT THIS BE INCREASED TO 5.5" TO ALLOW FOR BETTER VISIBILITY. ALLOW LENGTH TO GO BEYOND LENGTH OF KINN SIGN ABOVE. OWNER/ BRANDING AGENCY TO PROVIDE FINAL APPROVAL

BRANDING WAS PROVIDED 6/28/21. BRANDING AGENCY TO APPROVE

SignEffectz™

1827 W. Glendale Ave. Milwaukee, WI 53209
414.264.5504
414.262.5564
www.signeffectz.com

Disclaimer:
THIS IS AN ORIGINAL DESIGN CREATED BY SIGN EFFECTZ. THE SUBMITTED DESIGN PROTECTED UNDER COPYRIGHT LAWS OF THE UNITED STATES CODE YOU AGREE NOT TO COPY PHOTOGRAPH MODIFY OR SHARE DIRECTLY OR INDIRECTLY ANY OF THE FOREGOING HELD BY YOU WITH ANY OTHER PARTY, NOR WILL YOU PERMIT ANY THIRD PARTY TO DO ANY OF THE FOREGOING WITHOUT THE WRITTEN CONSENT OF SIGN EFFECTZ.

THIS SIGN IS INTENDED TO BE INSTALLED IN ACCORDANCE WITH THE REQUIREMENTS OF ARTICLE 600 OF THE NEC AND/OR OTHER APPLICABLE LOCAL CODES. THIS INCLUDES PROPER GROUNDING AND BONDING OF THE SIGN.

Pepper Construction KINN -Broadway - Exterior

[13569-01] PEPPER-KINN-CH-01
Fab/ install:
(1) set 1'-10.2"h, non-lit dimensional letters reading, "KINN" w/ closed backs, mounted to top of existing canopy.
(1) set 5.5"h acrylic FCO letters flush-mounted w/ studs to face of existing canopy reading, "GUESTHOUSE".

[13569-02] PEPPER-KINN-LIGHTING-01:
Fab/ install (1) custom 48"w light bar for mounting in front of dimensional letters. Light bar to mount to the top of existing canopy. Will require remote power supply box & location. Final electrical connection by others.

[13569-03] PEPPER-KINN-SURVEY:
Perform survey of site for int & ext signs.
Project Address:
KINN
600 N Broadway
Milwaukee, WI 53202
Billing Address (if different):
Pepper Construction
220 E Buffalo St #300,
Milwaukee, WI 53202

Rev.	Description	Date	Init
01	"inn" reduc'd to 15", "k" proportionally	06/01/21	AE
02	replace logo w/ new, tube chg to 1" dia	06/30/21	AE
03	fco 5.5" tall, kinn sign 22.2" tall per code	08/16/21	AE
04			
05			
06			
07			
08			
09			
10			

Project Notes:
1. Branding Agent to Provide Colors for letters and fascia (for mounting to match).
2. Pepper to share metal flashing sample to Sign Effectz to coordinate matching color

Copyright © 2021 Sign Effectz Inc. All Rights Reserved

AAE	JCB	JD	<input type="checkbox"/> SRFR	<input type="checkbox"/> CUSTOMER APPROVAL
DRAWN BY:	MGR:	CHK BY:	<input type="checkbox"/> PERMIT	<input type="checkbox"/> SURVEY
			<input type="checkbox"/> COMPLETED:	<input type="checkbox"/> ENG
DATE: 04/20/21	SCALE: AS NOTED			
B	30220909	P_01	03	
SIZE:	PROJECT NO:	SHEET NO:	REV:	
PRODUCTION RELEASE NO: 01		VERSION: 05		
13990	13569	01/02		
ESTIMATE NO:	WORK ORDER NO.	ITEM		

OPTION 2

SignEffectz™

1827 W. Glendale Ave. Milwaukee, WI 53209
 414.264.5504
 414.262.5564
 www.signeffectz.com

Disclaimer:
 THIS IS AN ORIGINAL DESIGN CREATED BY SIGN EFFECTZ. THE SUBMITTED DESIGN PROTECTED UNDER COPYRIGHT LAWS OF THE UNITED STATES CODE YOU AGREE NOT TO COPY PHOTOGRAPH MODIFY OR SHARE DIRECTLY OR INDIRECTLY ANY OF THE FOREGOING HELD BY YOU WITH ANY OTHER PARTY, NOR WILL YOU PERMIT ANY THIRD PARTY TO DO ANY OF THE FOREGOING WITHOUT THE WRITTEN CONSENT OF SIGN EFFECTZ.

THIS SIGN IS INTENDED TO BE INSTALLED IN ACCORDANCE WITH THE REQUIREMENTS OF ARTICLE 600 OF THE NEC AND/OR OTHER APPLICABLE LOCAL CODES. THIS INCLUDES PROPER GROUNDING AND BONDING OF THE SIGN.

Pepper Construction KINN -Broadway - Exterior

[13569-01] PEPPER-KINN-CH-01

Fab/ install:
 (1) set 1'-10.2"h, non-lit dimensional letters reading, "KINN" w/ closed backs, mounted to top of existing canopy.
 (1) set 5.5"h acrylic FCO letters flush-mounted w/ studs to face of existing canopy reading, "GUESTHOUSE".

[13569-02] PEPPER-KINN-LIGHTING-01:
 Fab/ install (1) custom 48"w light bar for mounting in front of dimensional letters. Light bar to mount to the top of existing canopy. Will require remote power supply box & location. Final electrical connection by others.

[13569-03] PEPPER-KINN-SURVEY:
 Perform survey of site for int & ext signs.
 Project Address:
 KINN
 600 N Broadway
 Milwaukee, WI 53202
 Billing Address (if different):
 Pepper Construction
 220 E Buffalo St #300,
 Milwaukee, WI 53202

Rev.	Description	Date	Init
01	"inn" reduc'd to 15", "k" proportionally	06/01/21	AE
02	replace logo w/ new, tube chg to 1" dia	06/30/21	AE
03	updated on elevation to size requested	08/16/21	AE
04			
05			
06			
07			
08			
09			
10			

Project Notes:
 1. Branding Agent to Provide Colors for letters and fascia (for mounting to match).
 2. Pepper to share metal flashing sample to Sign Effectz to coordinate matching color

Copyright © 2021 Sign Effectz Inc. All Rights Reserved

AAE	JCB	JD	<input type="checkbox"/> SRFR	<input type="checkbox"/> CUSTOMER APPROVAL
DRAWN BY:	MGR:	CHK BY:	<input type="checkbox"/> PERMIT	<input type="checkbox"/> SURVEY
			<input type="checkbox"/> ENG	<input type="checkbox"/> COMPLETED:

DATE: 04/20/21 SCALE: 3/8" = 1' - 0"

B	30220909	P_02	03
SIZE:	PROJECT NO:	SHEET NO:	REV:
PRODUCTION RELEASE NO:	01	VERSION:	05
13990	13569	-	01
ESTIMATE NO:	WORK ORDER NO.		ITEM

3" Dimensional Alum Letters (w/ Closed Backs) Mounted To Blocking In Raised Area Of Fascia

Bottom of existing Cornice, to be retained

Custom led light Fixture to illuminate "kinn"

New canopy w/ Painted non-anodized Metal fascia

1/2" thk fco acrylic Letters, flush-mounted To fascia w/ studs



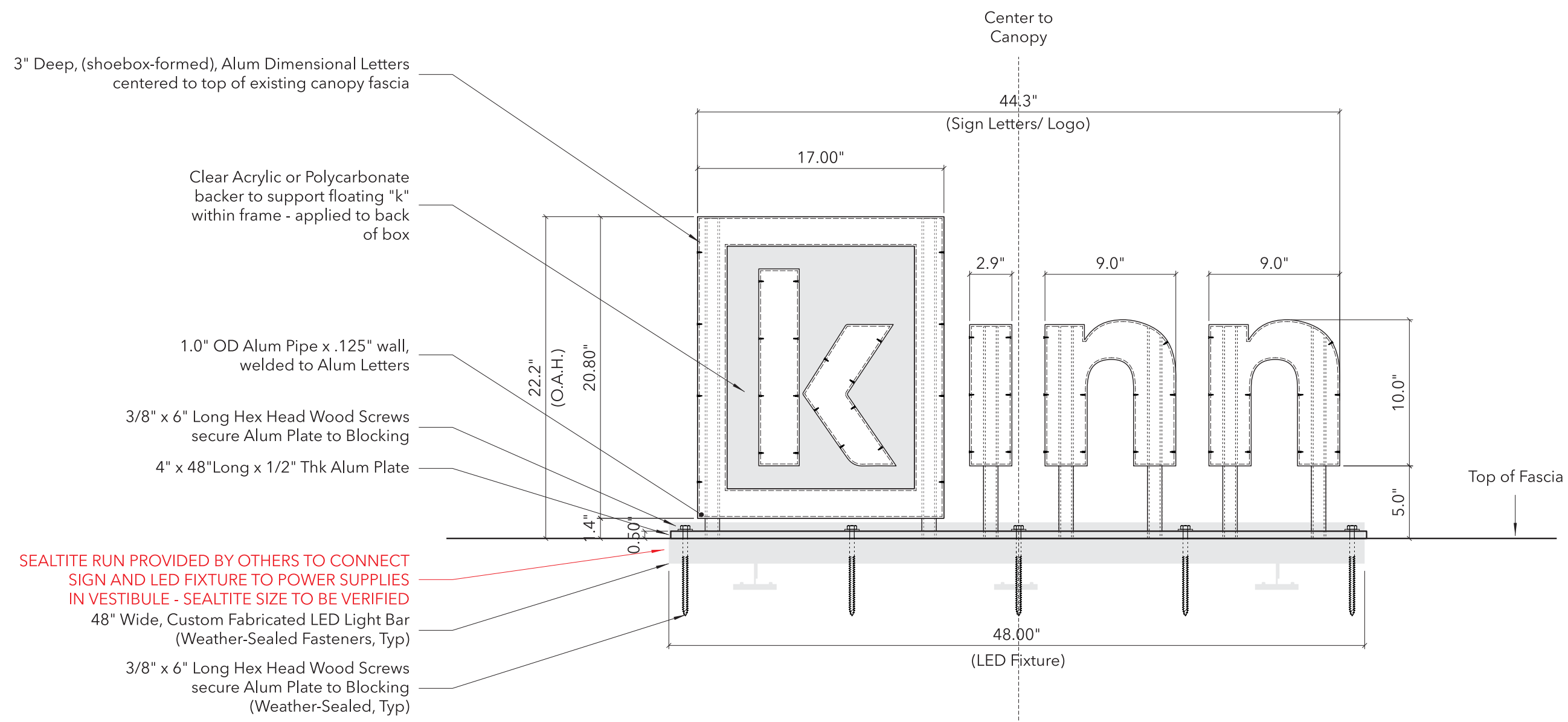
1 WEST ELEVATION ELEVATION - PROPOSED ENTRY
 P_02 SCALE: 3/8" = 1'-0"

Disclaimer:

THIS IS AN ORIGINAL DESIGN CREATED BY SIGN EFFECTZ. THE SUBMITTED DESIGN PROTECTED UNDER COPYRIGHT LAWS OF THE UNITED STATES CODE YOU AGREE NOT TO COPY PHOTOGRAPH MODIFY OR SHARE DIRECTLY OR INDIRECTLY ANY OF THE FOREGOING HELD BY YOU WITH ANY OTHER PARTY, NOR WILL YOU PERMIT ANY THIRD PARTY TO DO ANY OF THE FOREGOING WITHOUT THE WRITTEN CONSENT OF SIGN EFFECTZ.

THIS SIGN IS INTENDED TO BE INSTALLED IN ACCORDANCE WITH THE REQUIREMENTS OF ARTICLE 600 OF THE NEC AND/OR OTHER APPLICABLE LOCAL CODES. THIS INCLUDES PROPER GROUNDING AND BONDING OF THE SIGN.

1 Elev Detail - Dimensional Post-Mount Letters
 P_03 SCALE: 1 1/2" = 1'-0"



2 Elev Detail - 1/2" thk FCO Alum Letters for Canopy Fascia
 P_03 SCALE: 1 1/2" = 1'-0"



**Pepper Construction
 KINN -Broadway - Exterior**

[13569-01] PEPPER-KINN-CH-01
 Fab/ install:
 (1) set 1'-10.2"h, non-lit dimensional letters reading, "KINN" w/ closed backs, mounted to top of existing canopy.
 (1) set 5.5"h acrylic FCO letters flush-mounted w/ studs to face of existing canopy reading, "GUESTHOUSE".

[13569-02] PEPPER-KINN-LIGHTING-01:
 Fab/ install (1) custom 48"w light bar for mounting in front of dimensional letters. Light bar to mount to the top of existing canopy. Will require remote power supply box & location. Final electrical connection by others.

[13569-03] PEPPER-KINN-SURVEY:
 Perform survey of site for int & ext signs.
 Project Address:
 KINN
 600 N Broadway
 Milwaukee, WI 53202
 Billing Address (if different):
 Pepper Construction
 220 E Buffalo St #300,
 Milwaukee, WI 53202

Rev.	Description	Date	Init
01	"inn" reduc'd to 15", "k" proportionally	06/01/21	AE
02	replace logo w/ new, tube chg to 1" dia	06/30/21	AE
03			
04			
05			
06			
07			
08			
09			
10			

Project Notes:
 1. Branding Agent to Provide Colors for letters and fascia (for mounting to match).
 2. Pepper to share metal flashing sample to Sign Effectz to coordinate matching color

Copyright © 2021 Sign Effectz Inc. All Rights Reserved

AAE	JCB	JD	<input type="checkbox"/> SRFR	<input type="checkbox"/> CUSTOMER APPROVAL
DRAWN BY:	MGR:	CHK BY:	<input type="checkbox"/> PERMIT	<input type="checkbox"/> SURVEY
			<input type="checkbox"/> COMPLETED:	<input type="checkbox"/> ENG
DATE: 04/20/21	SCALE: 1-1/2" = 1'-0"			
B	30220909	P_03	02	
SIZE:	PROJECT NO:	SHEET NO:	REV	
PRODUCTION RELEASE NO: 01		VERSION: 03		
13990	13569	-	01	
ESTIMATE NO:	WORK ORDER NO.	ITEM		

Disclaimer:
 THIS IS AN ORIGINAL DESIGN CREATED BY SIGN EFFECTTZ. THE SUBMITTED DESIGN IS PROTECTED UNDER COPYRIGHT LAWS OF THE UNITED STATES CODE. YOU AGREE NOT TO COPY, PHOTOGRAPH, MODIFY OR SHARE DIRECTLY OR INDIRECTLY ANY OF THE FOREGOING HELD BY YOU WITH ANY OTHER PARTY, NOR WILL YOU PERMIT ANY THIRD PARTY TO DO ANY OF THE FOREGOING WITHOUT THE WRITTEN CONSENT OF SIGN EFFECTTZ.

THIS SIGN IS INTENDED TO BE INSTALLED IN ACCORDANCE WITH THE REQUIREMENTS OF ARTICLE 600 OF THE NEC AND/OR OTHER APPLICABLE LOCAL CODES. THIS INCLUDES PROPER GROUNDING AND BONDING OF THE SIGN.

**Pepper Construction
 KINN -Broadway - Exterior**

[13569-01] PEPPER-KINN-CH-01
 Fab/ install:
 (1) set 1'-10.2"h, non-lit dimensional letters reading, "KINN" w/ closed backs, mounted to top of existing canopy.
 (1) set 5.5"h acrylic FCO letters flush-mounted w/ studs to face of existing canopy reading, "GUESTHOUSE".

[13569-02] PEPPER-KINN-LIGHTING-01:
 Fab/ install (1) custom 48" w light bar for mounting in front of dimensional letters. Light bar to mount to the top of existing canopy. Will require remote power supply box & location. Final electrical connection by others.

[13569-03] PEPPER-KINN-SURVEY:
 Perform survey of site for int & ext signs.
 Project Address:
 KINN
 600 N Broadway
 Milwaukee, WI 53202
 Billing Address (if different):
 Pepper Construction
 220 E Buffalo St #300,
 Milwaukee, WI 53202

Rev.	Description	Date	Init
01	"inn" reduc'd to 15", "k" proportionally	06/01/21	AE
02	replace logo w/ new, tube chg to 1" dia	06/30/21	AE
03	add vestibule access panel to pwr sup	08/16/21	AE
04			
05			
06			
07			
08			
09			
10			

Project Notes:

- North side of Sign - G.C will give us Sealrite size for North side connection.
- Driver Box in Vestibule - Access Panel to be 12" x 12"
- Need approx 24ft whip to access canopy sign/ LED fixture.

Copyright © 2021 Sign Effecttz Inc. All Rights Reserved

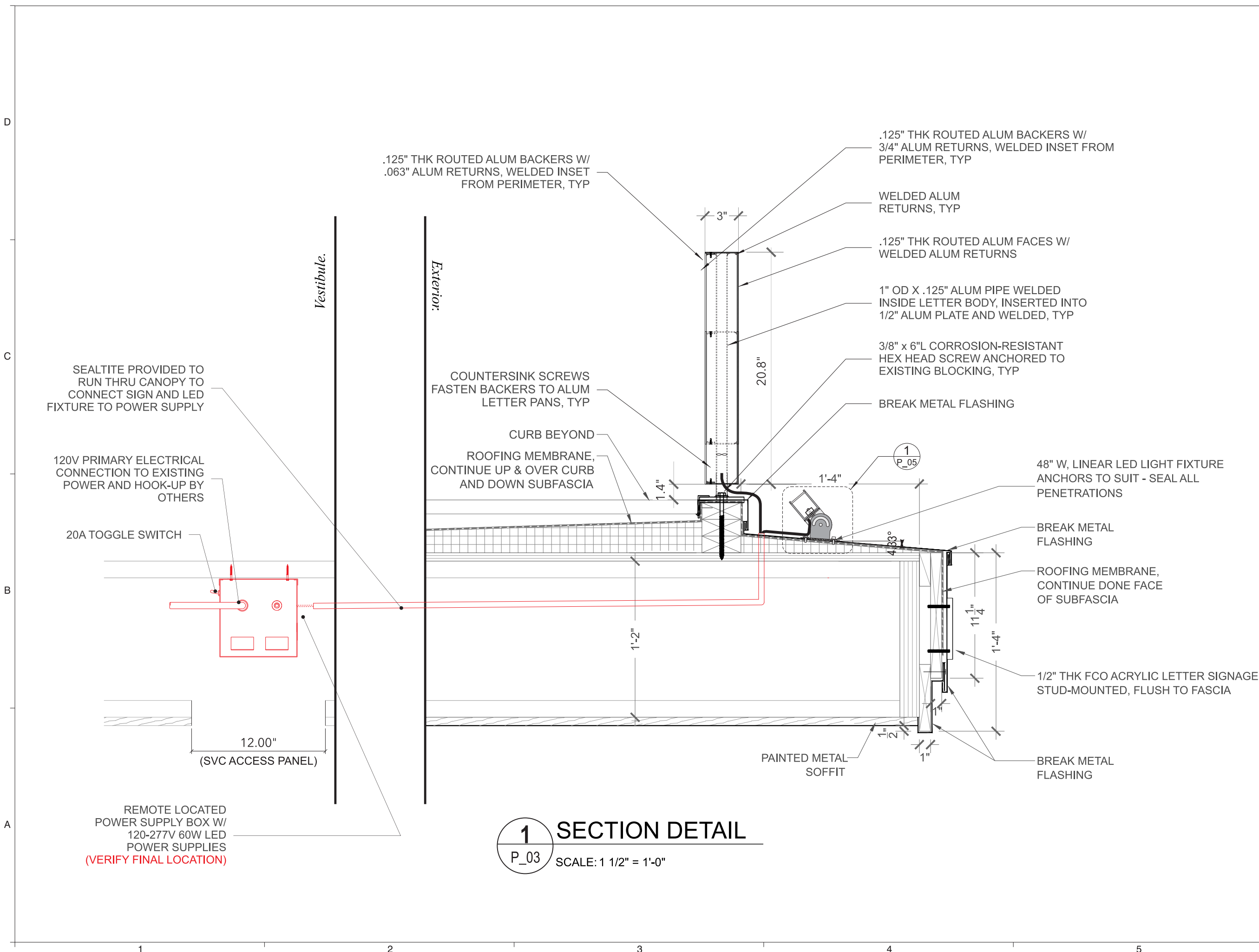
AAE	JCB	JD	<input type="checkbox"/> SRFR	<input type="checkbox"/> CUSTOMER APPROVAL
DRAWN BY:	MGR:	CHK BY:	<input type="checkbox"/> PERMIT	<input type="checkbox"/> SURVEY
			<input type="checkbox"/> ENG	<input type="checkbox"/> COMPLETED:

DATE: 04/20/21 SCALE: 1-1/2" = 1'-0"

B 30220909 P_04 03
 SIZE: PROJECT NO: SHEET NO: REV

PRODUCTION RELEASE NO: 01 VERSION: 05

13990 13569 - 01
 ESTIMATE NO: WORK ORDER NO. ITEM



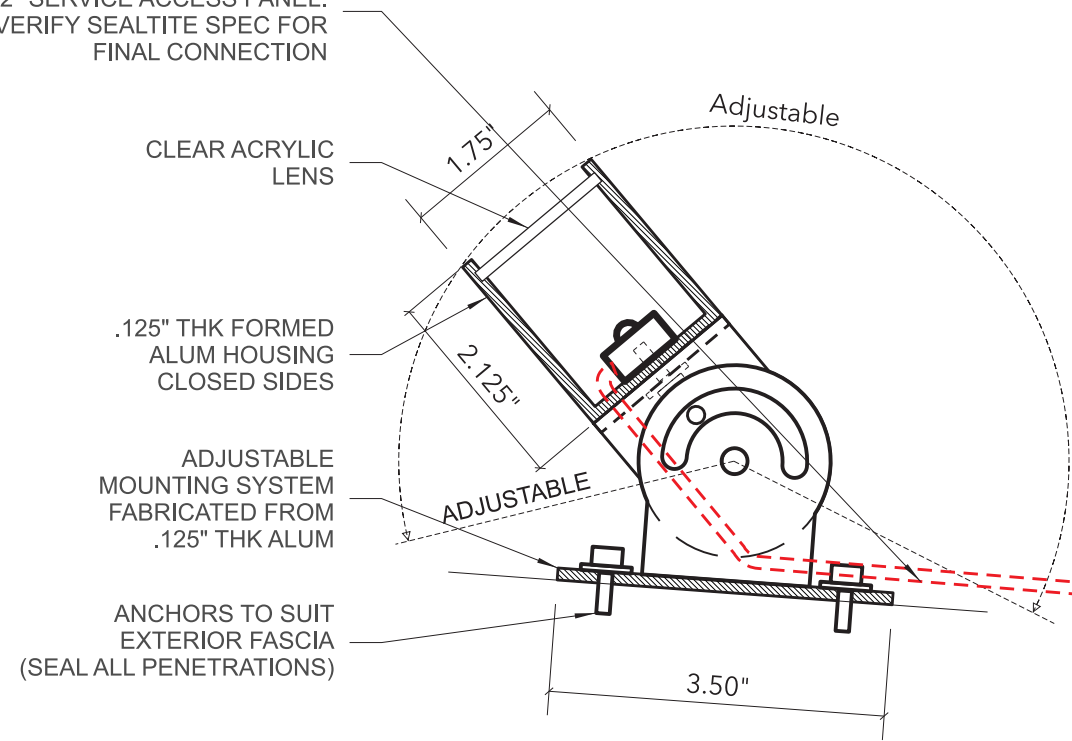
1 SECTION DETAIL
 P_03 SCALE: 1 1/2" = 1'-0"

D
C
B
A

1 2 3 4 5

OPTION 2

CONNECT LOW VOLTAGE WIRING FROM DRIVER BOX TO BE LOCATED IN VESTIBULE CEILING, ACCESSIBLE THRU 12" X 12" SERVICE ACCESS PANEL. SEALTITE SET BY OTHERS - VERIFY SEALTITE SPEC FOR FINAL CONNECTION



1 LINEAR LED FIXTURE
P_05 SCALE: 1:2

SignEffecttz™

1827 W. Glendale Ave. Milwaukee, WI 53209
414.264.5504
414.262.5564
www.signeffecttz.com

Disclaimer:

THIS IS AN ORIGINAL DESIGN CREATED BY SIGN EFFECTTZ. THE SUBMITTED DESIGN PROTECTED UNDER COPYRIGHT LAWS OF THE UNITED STATES CODE YOU AGREE NOT TO COPY PHOTOGRAPH MODIFY OR SHARE DIRECTLY OR INDIRECTLY ANY OF THE FOREGOING HELD BY YOU WITH ANY OTHER PARTY, NOR WILL YOU PERMIT ANY THIRD PARTY TO DO ANY OF THE FOREGOING WITHOUT THE WRITTEN CONSENT OF SIGN EFFECTTZ.

THIS SIGN IS INTENDED TO BE INSTALLED IN ACCORDANCE WITH THE REQUIREMENTS OF ARTICLE 600 OF THE NEC AND/OR OTHER APPLICABLE LOCAL CODES. THIS INCLUDES PROPER GROUNDING AND BONDING OF THE SIGN.

**Pepper Construction
KINN -Broadway - Exterior**

[13569-01] PEPPER-KINN-CH-01

Fab/ install:

- (1) set 1'-10.2"h, non-lit dimensional letters reading, "KINN"w/ closed backs, mounted to top of existing canopy.
- (1) set 5.5"h acrylic FCO letters flush-mounted w/ studs to face of existing canopy reading, "GUESTHOUSE".

[13569-02] PEPPER-KINN-LIGHTING-01:

Fab/ install (1) custom 48"w light bar for mounting in front of dimensional letters. Light bar to mount to the top of existing canopy. Will require remote power supply box & location. Final electrical connection by others.

[13569-03] PEPPER-KINN-SURVEY:

Perform survey of site for int & ext signs.

Project Address:

KINN
600 N Broadway
Milwaukee, WI 53202

Billing Address (if different):

Pepper Construction
220 E Buffalo St #300,
Milwaukee, WI 53202

Rev.	Description	Date	Init
01	"inn" reduc'd to 15", "k" proportionally	06/01/21	AE
02	replace logo w/ new, tube chg to 1" dia	06/30/21	AE
03			
04			
05			
06			
07			
08			
09			
10			

Project Notes:

- North side of Sign - G.C will give us Sealtite size for North side connection.
- Driver Box in Vestibule - Access Panel to be 12" x 12"
- Need approx 24ft whip to access canopy sign/ LED fixture.

Copyright © 2021 Sign Effecttz Inc. All Rights Reserved

AAE JCB JD SRFR CUSTOMER APPROVAL
DRAWN BY: MGR: CHK BY: PERMIT SURVEY ENG
COMPLETED:

DATE: 04/20/21 SCALE: 1:2

B 30220909 P_05 00
SIZE: PROJECT NO: SHEET NO: REV

PRODUCTION RELEASE NO: 01 VERSION: 05

13990 13569 - 01
ESTIMATE NO: WORK ORDER NO. ITEM

Disclaimer:
 THIS IS AN ORIGINAL DESIGN CREATED BY SIGN EFFECTZ. THE SUBMITTED DESIGN PROTECTED UNDER COPYRIGHT LAWS OF THE UNITED STATES CODE YOU AGREE NOT TO COPY PHOTOGRAPH MODIFY OR SHARE DIRECTLY OR INDIRECTLY ANY OF THE FOREGOING HELD BY YOU WITH ANY OTHER PARTY, NOR WILL YOU PERMIT ANY THIRD PARTY TO DO ANY OF THE FOREGOING WITHOUT THE WRITTEN CONSENT OF SIGN EFFECTZ.

THIS SIGN IS INTENDED TO BE INSTALLED IN ACCORDANCE WITH THE REQUIREMENTS OF ARTICLE 600 OF THE NEC AND/OR OTHER APPLICABLE LOCAL CODES. THIS INCLUDES PROPER GROUNDING AND BONDING OF THE SIGN.

**Pepper Construction
 KINN -Broadway - Exterior**

[13569-01] PEPPER-KINN-CH-01
 Fab/ install:
 (1) set 1'-10.2"h, non-lit dimensional letters reading, "KINN" w/ closed backs, mounted to top of existing canopy.
 (1) set 5.5"h acrylic FCO letters flush-mounted w/ studs to face of existing canopy reading, "GUESTHOUSE".

[13569-02] PEPPER-KINN-LIGHTING-01:
 Fab/ install (1) custom 48"w light bar for mounting in front of dimensional letters. Light bar to mount to the top of existing canopy. Will require remote power supply box & location. Final electrical connection by others.

[13569-03] PEPPER-KINN-SURVEY:
 Perform survey of site for int & ext signs.
 Project Address:
 KINN
 600 N Broadway
 Milwaukee, WI 53202
 Billing Address (if different):
 Pepper Construction
 220 E Buffalo St #300,
 Milwaukee, WI 53202

Rev.	Description	Date	Init
01	"inn" reduc'd to 15", "k" proportionally	06/01/21	AE
02	replace logo w/ new, tube chg to 1" dia	06/30/21	AE
03			
04			
05			
06			
07			
08			
09			
10			

Project Notes:

- North side of Sign - G.C will give us Sealrite size for North side connection.
- Driver Box in Vestibule - Access Panel to be 12" x 12"
- Need approx 24ft whip to access canopy sign/ LED fixture.

Copyright © 2021 Sign Effectz Inc. All Rights Reserved

AAE	JCB	JD	<input type="checkbox"/> SRFR	<input type="checkbox"/> CUSTOMER APPROVAL
DRAWN BY:	MGR:	CHK BY:	<input type="checkbox"/> PERMIT	<input type="checkbox"/> SURVEY
			<input type="checkbox"/> COMPLETED:	<input type="checkbox"/> ENG

DATE: 04/20/21 SCALE: 1/8" = 1' - 0"

B	30220909	P_06	00
SIZE:	PROJECT NO:	SHEET NO:	REV:
PRODUCTION RELEASE NO:	01	VERSION:	05
13990	13569 - 01		
ESTIMATE NO:	WORK ORDER NO.		ITEM

