
 TABLE OF CONTENTS

Product Information

General Information.....	2
Clear Opening Formulas	3
Lite Cut Information.....	4
Grid, Bottom Rail & Glass Stop Options.....	5
Unit Sizing	6
Trim & Sill Options.....	7
Jamb Extender & Prep for Stool Options.....	8
Mullion Options	9

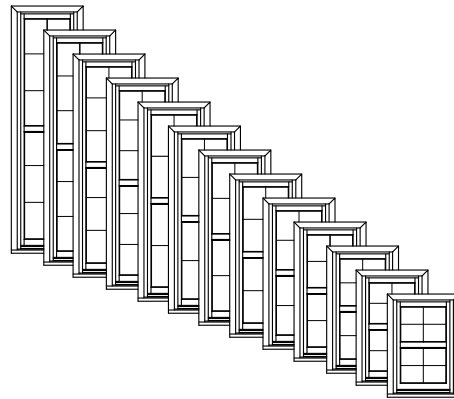
Section Details

Operator:	
Standard Sections	11
Impact Sections	12
Radius Top / Segment Head - Vertical Sections.....	13
Picture:	
Standard Sections	14
Impact Sections	15
Radius Top & Segment Head - Vertical Section	16
Transom:	
Standard Sections	17
Impact Sections	18
Bay:	
Standard Sections	19
Standard Projections.....	20

Sizing Details

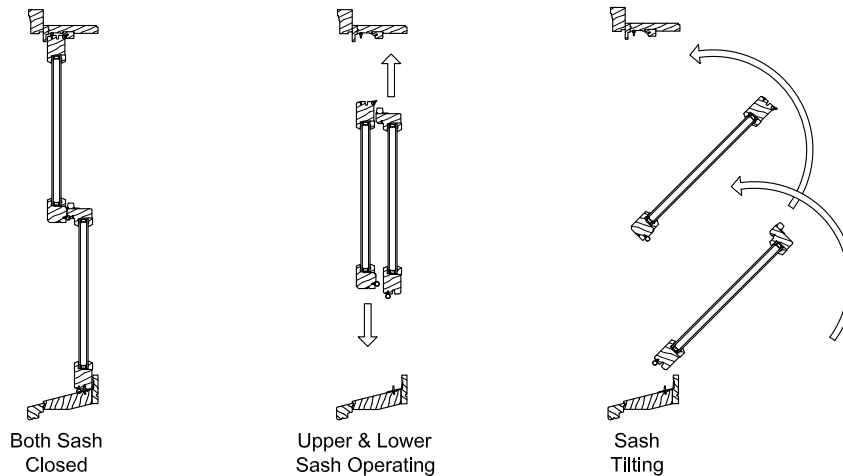
Min-Max Sizing.....	21
---------------------	----

GENERAL INFORMATION



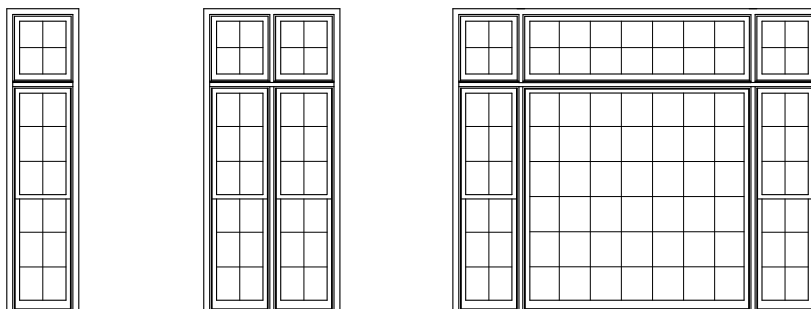
Dimensional Windows

Siteline Wood Double-Hung windows may be specified as "dimensional", by adjusting the desired rough opening width or height. Siteline Wood Double-Hung windows feature fully operating upper and lower sash which can be tilted or removed for easy cleaning.

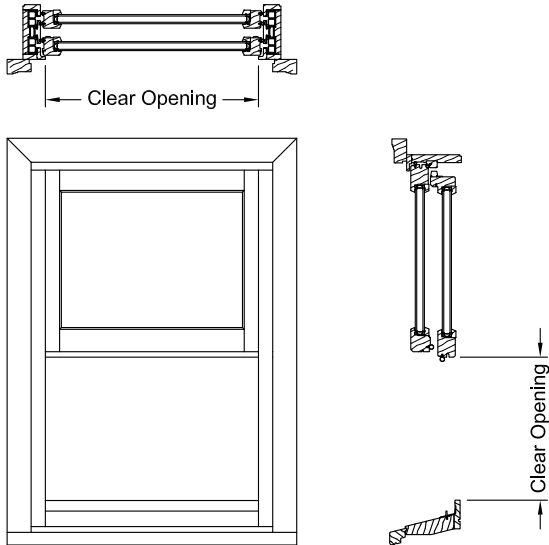


Multiple Assemblies

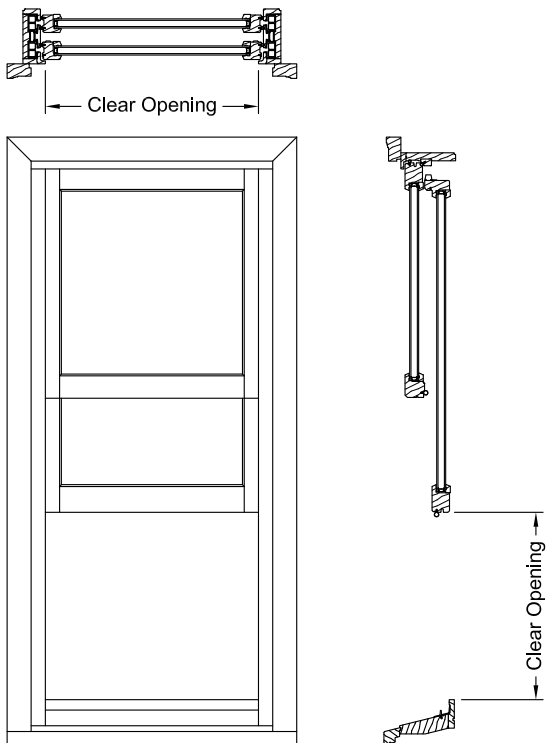
Siteline Wood Double-Hung windows may be mullied beside other wood double-hung windows, or to other wood window products to fulfill a wide variety of architectural design needs.



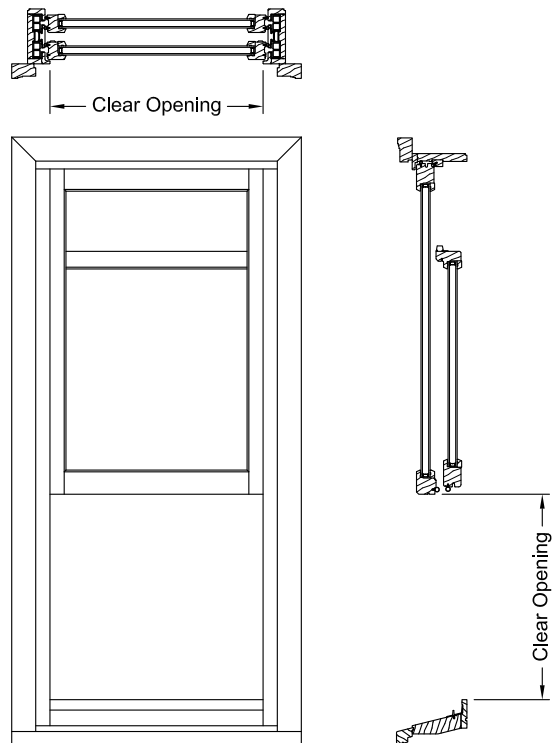
CLEAR OPENING FORMULAS



Double-Hung (Even Divide)
Width = Frame Width - 3 3/4"
Height = (Frame Height / 2) - 2 27/32"



Cottage Double-Hung
Width = Frame Width - 3 3/4"
Height = (Frame Height / 2) - 8 5/32"



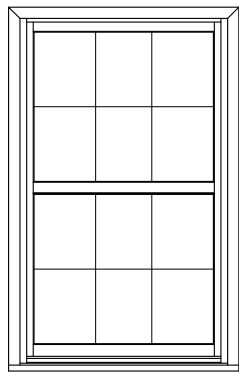
Reverse Cottage Double-Hung
Width = Frame Width - 3 3/4"
Height = (Frame Height / 2) - 7 29/32"

LITE CUT INFORMATION

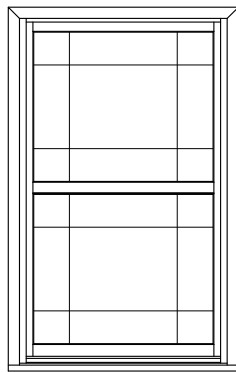
Lite Cut Options

Siteline Wood Double-Hung Windows are available with removable Grilles, Grilles Between Glass (GBG), or Simulated Divided Lites (SDL) in various widths and styles. The standard grid patterns are shown below.

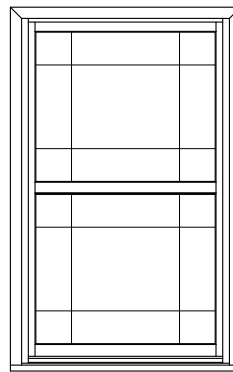
Special lite cut patterns can include a wide variety of straight line and radius patterns. Non-standard patterns are subject to factory approval.



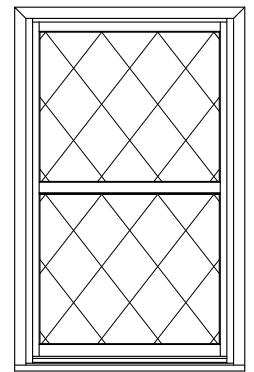
Colonial



Uneven



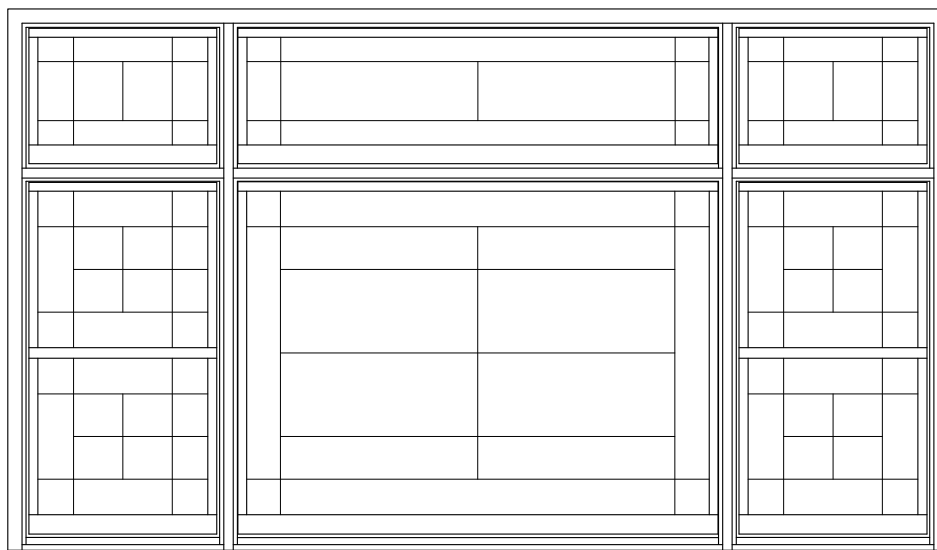
Prairie



Diamond

Bar Alignment

Alignment of divided lite muntin bars from one window to the next is often required by fine architectural design. Wood grilles, GBG, and SDL's may be specified with muntin bars aligned.

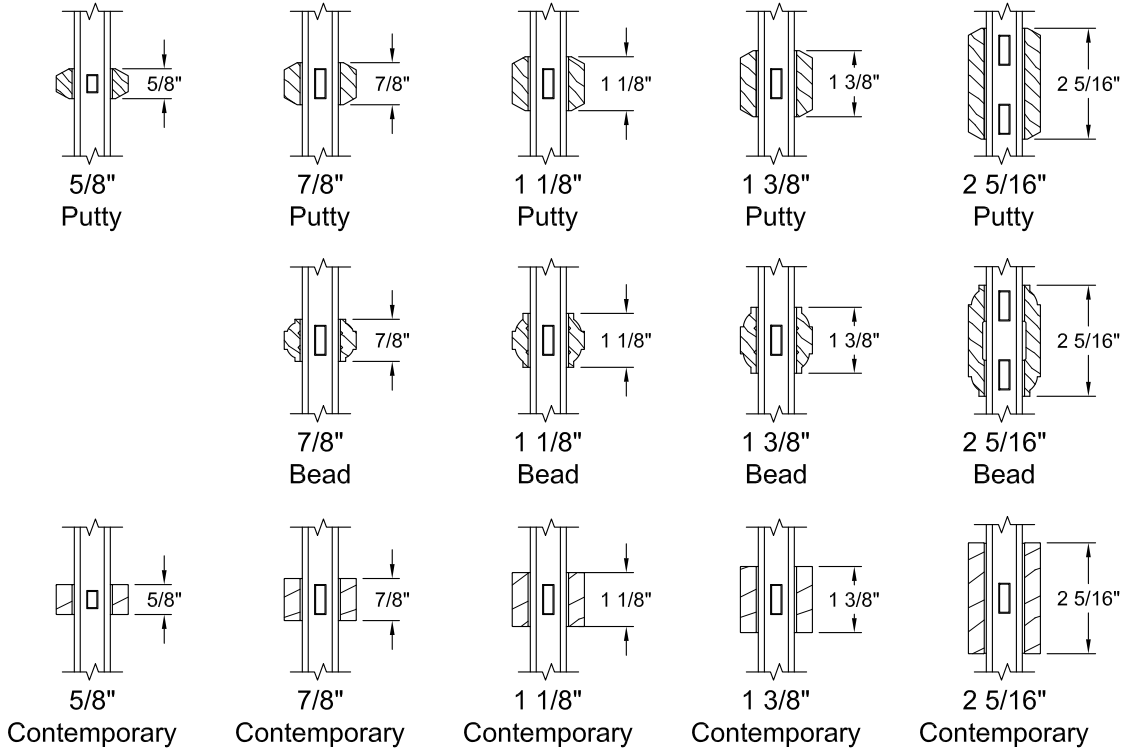




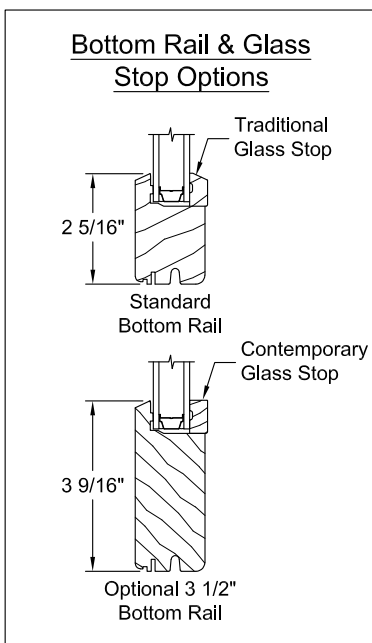
GRID, BOTTOM RAIL & GLASS STOP OPTIONS

Exterior ← → Interior

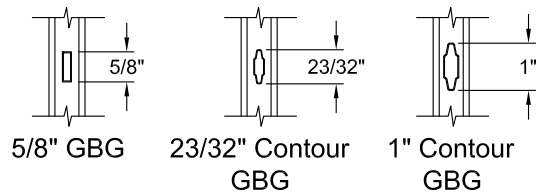
SDL Options



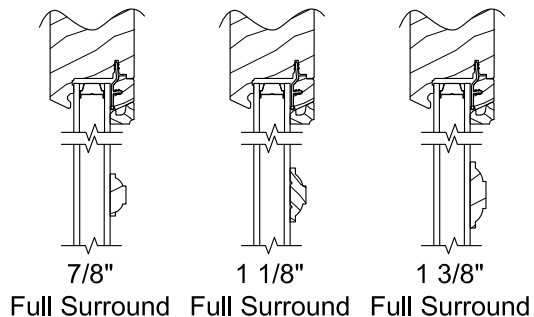
Note: Various Combinations of the SDL Bars Shown are Available



GBG Options



Grille Options

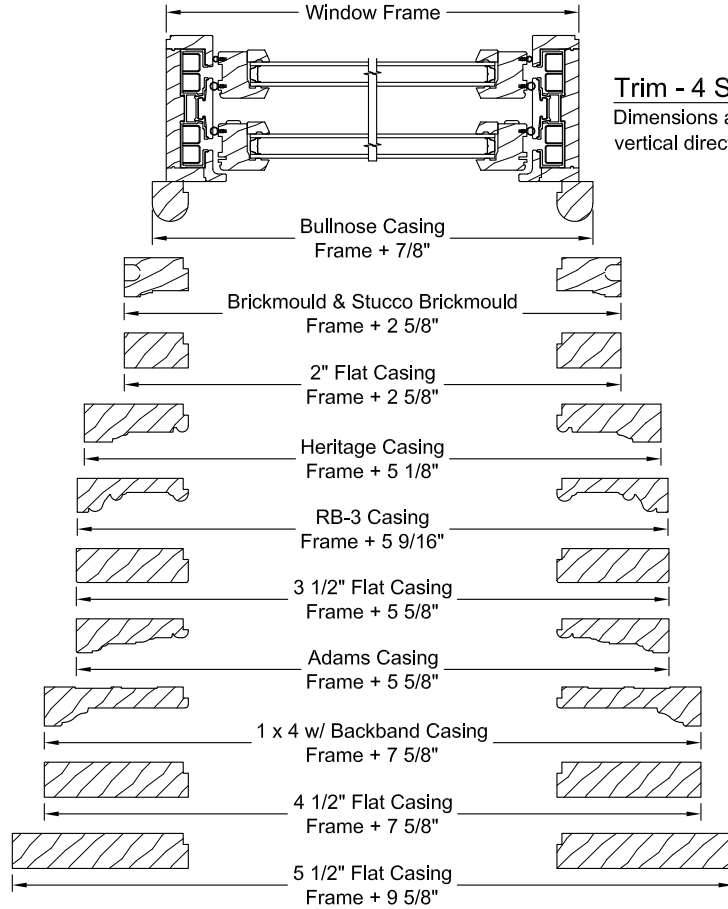




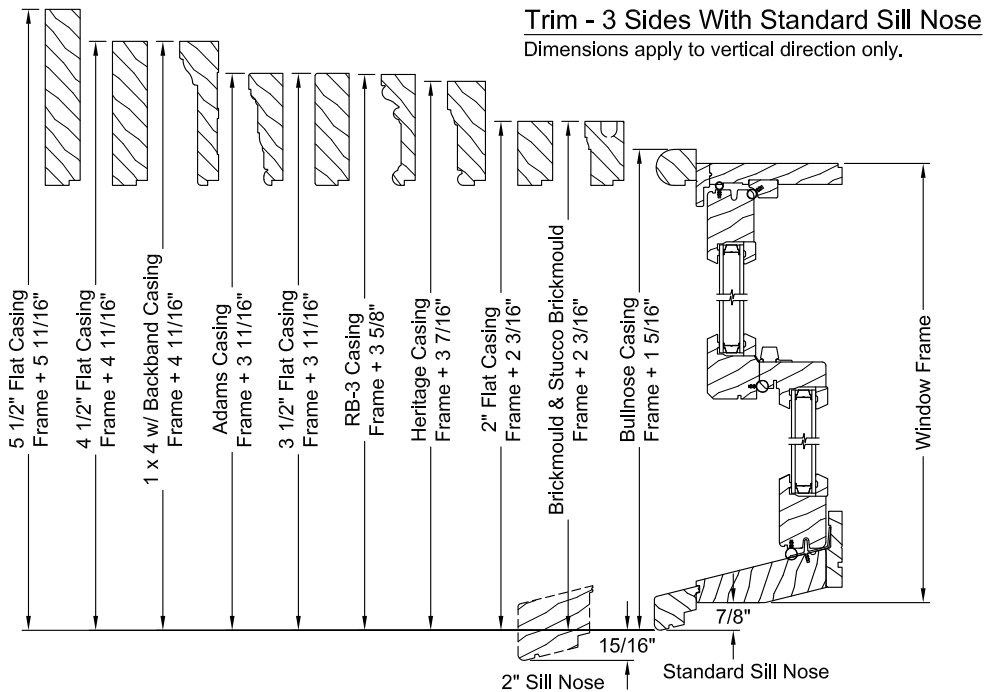
UNIT SIZING

Rough Opening
The frame size of the window plus 3/4".

Masonry Opening
The overall size of the window, including trim, plus 1/2".

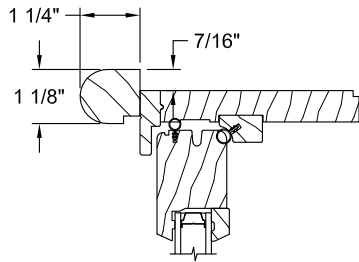


Trim - 4 Sides Of Frame
Dimensions apply to horizontal and vertical directions.

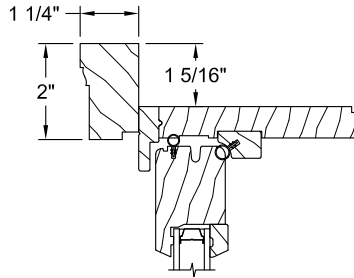




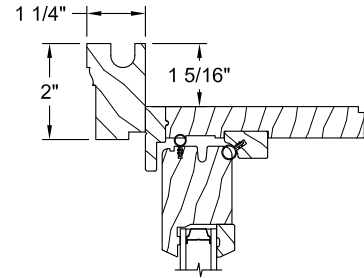
TRIM & SILL NOSE OPTIONS



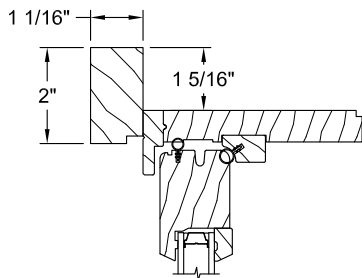
Bullnose Casing



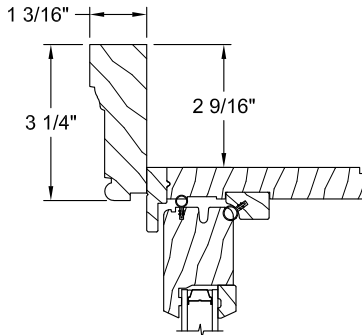
Brickmould



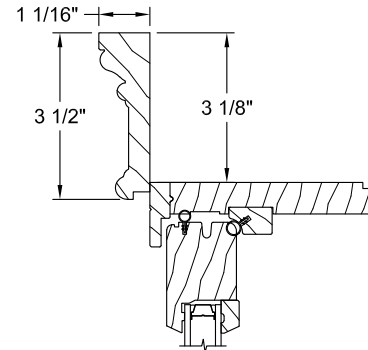
Stucco Brickmould



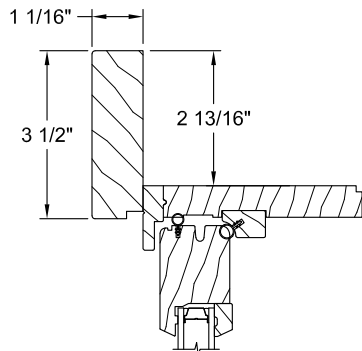
2" Flat Casing



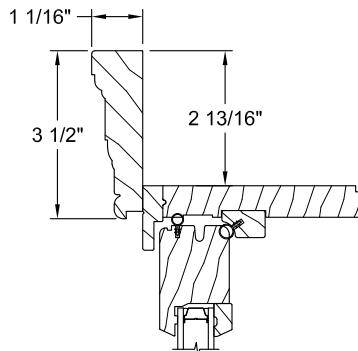
Heritage Casing



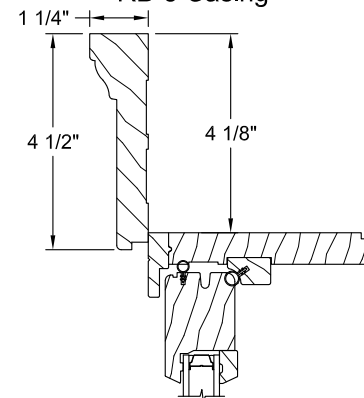
RB-3 Casing



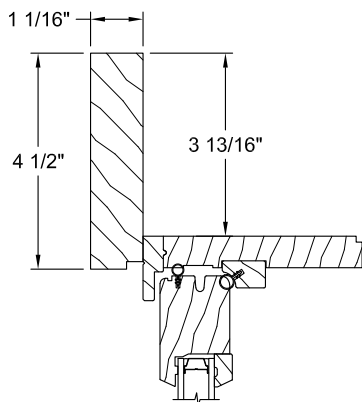
3 1/2" Flat Casing



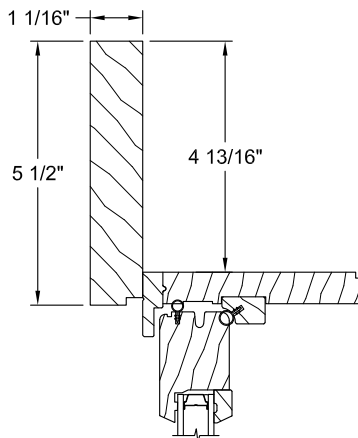
Adams Casing



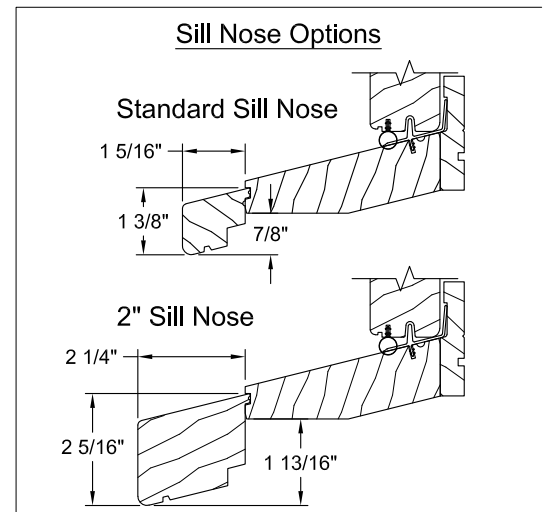
1 x 4 w/ Backband Casing



4 1/2" Casing

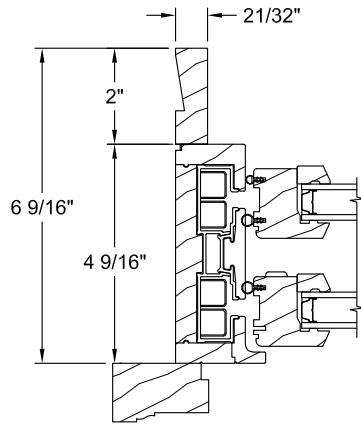


5 1/2" Casing

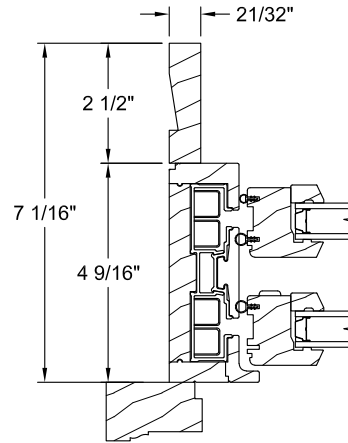




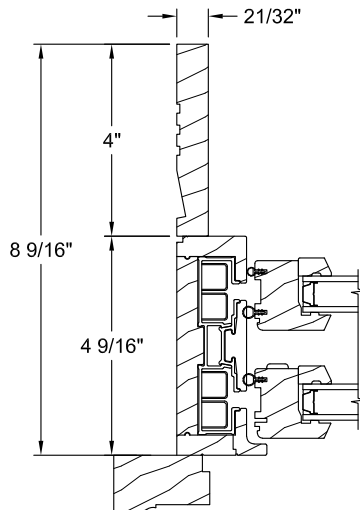
JAMB EXTENDER & PREP FOR STOOL OPTIONS



6 9/16" Jamb Width
4/4 Jamb Thickness



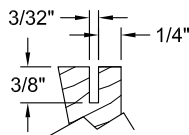
7 1/16" Jamb Width
4/4 Jamb Thickness



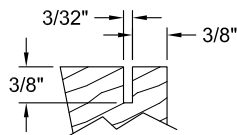
8 9/16" Jamb Width
4/4 Jamb Thickness

Return Kerf:

Generally located from first visible interior frame line. Kerfed option available on all jamb extender sizes.

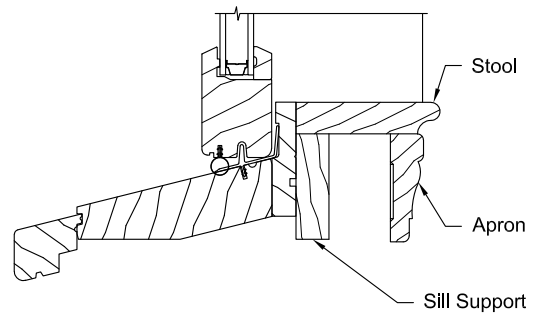


4/4 Jamb Typ.



5/4 Jamb Typ.

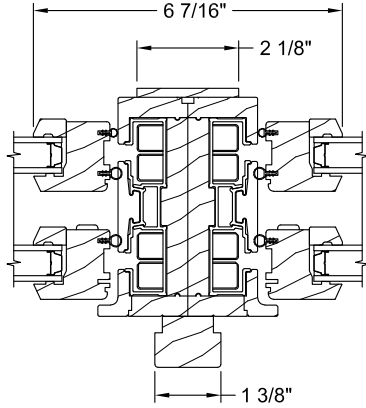
Prep for Stool



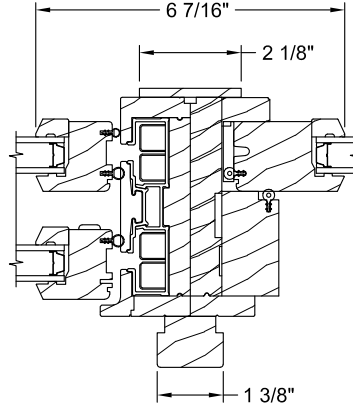
Note: Stool, apron, and sill support are applied by trim carpenter after window is installed and are not provided by JELD-WEN. Unit is shipped without sill jamb extenders.



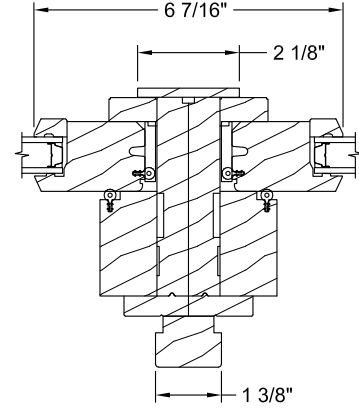
MULLION OPTIONS



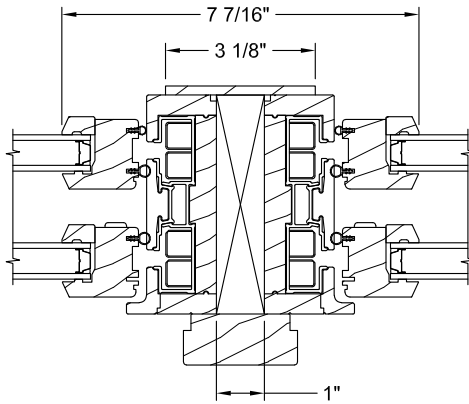
Operator / Operator



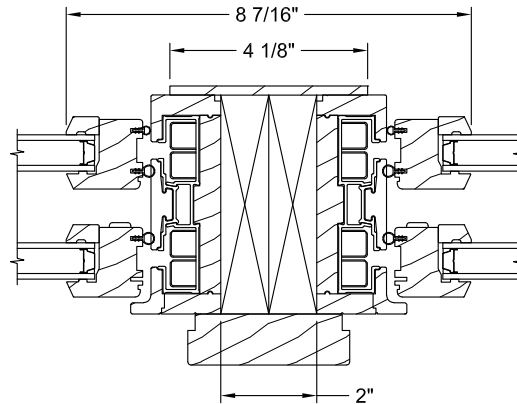
Operator / Stationary



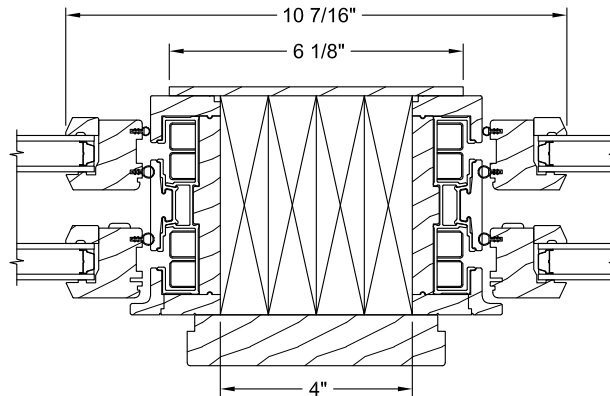
Stationary / Stationary



Operator / Operator
with 1" Solid Spread Mull



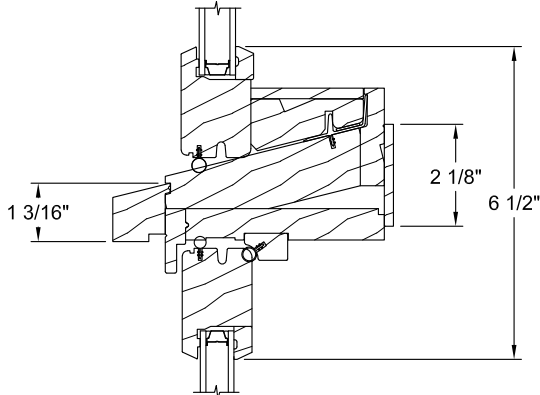
Operator / Operator
with 2" Solid Spread Mull



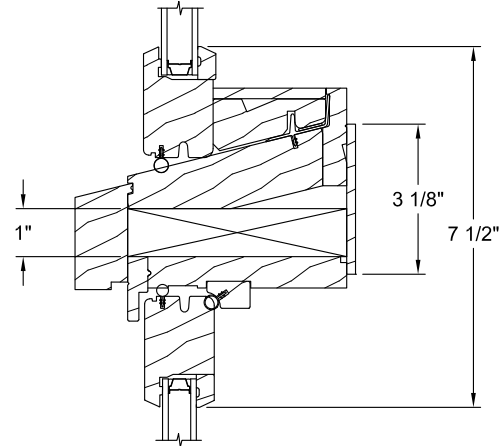
Operator / Operator
with 4" Solid Spread Mull



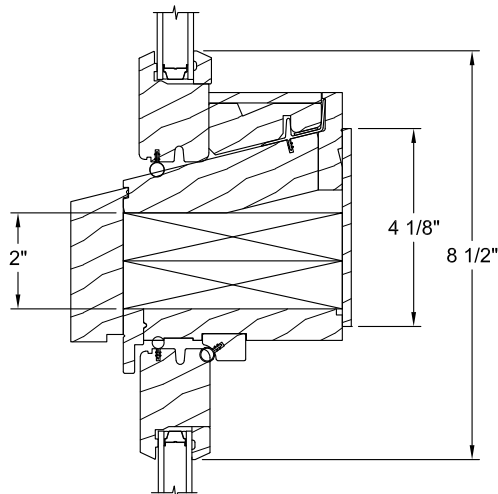
MULLION OPTIONS



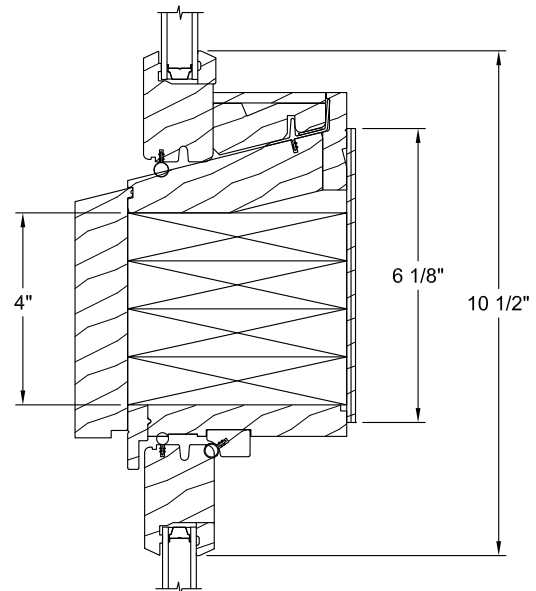
Stationary
Operator



Stationary
Operator
With 1" Solid Spread Mull



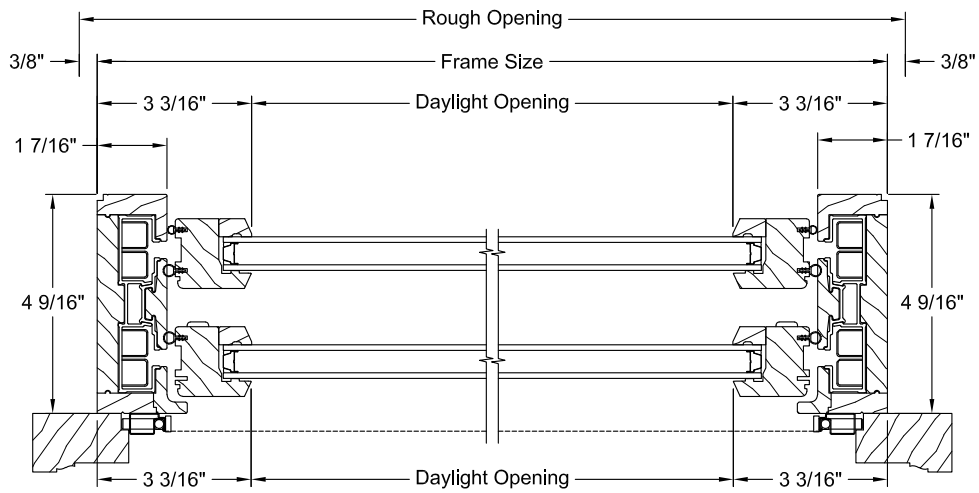
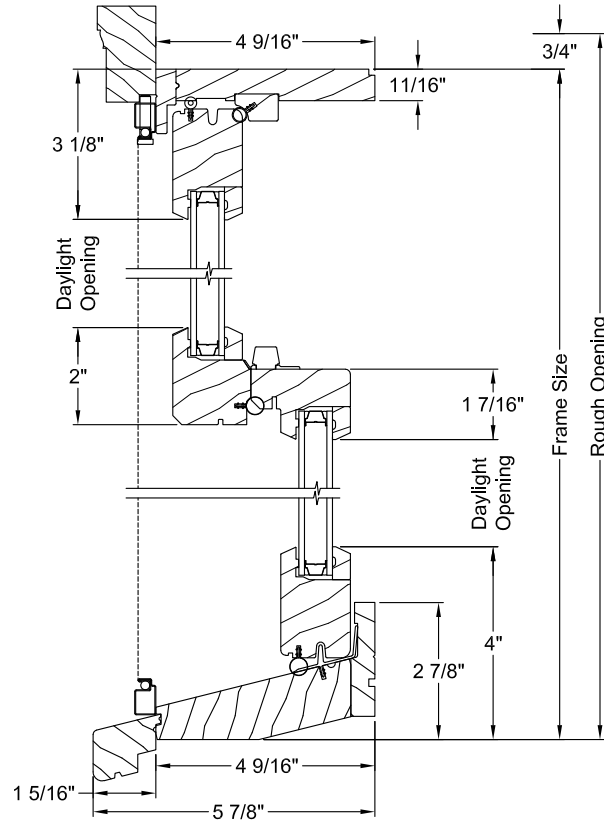
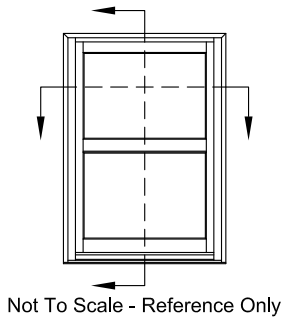
Stationary
Operator
With 2" Solid Spread Mull



Stationary
Operator
With 4" Solid Spread Mull

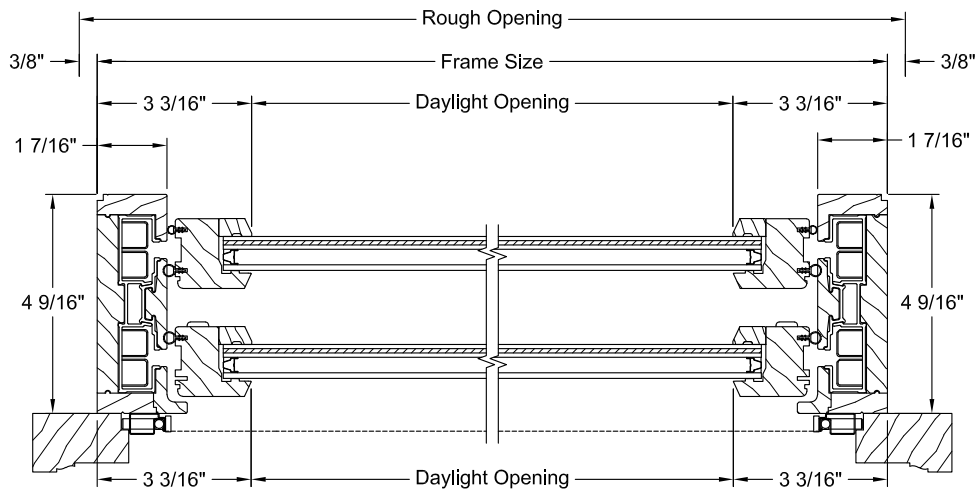
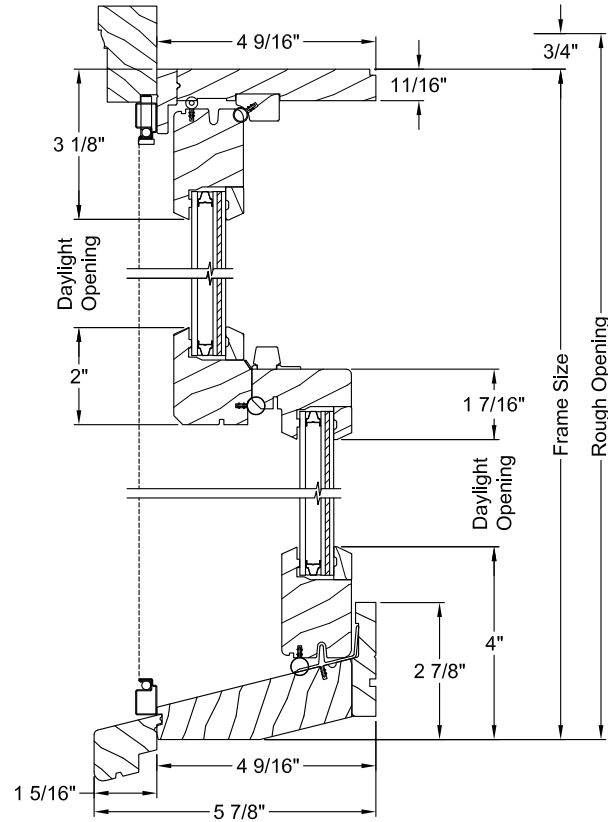
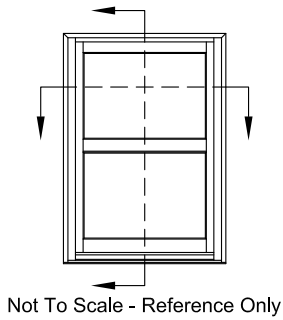


OPERATOR SECTIONS





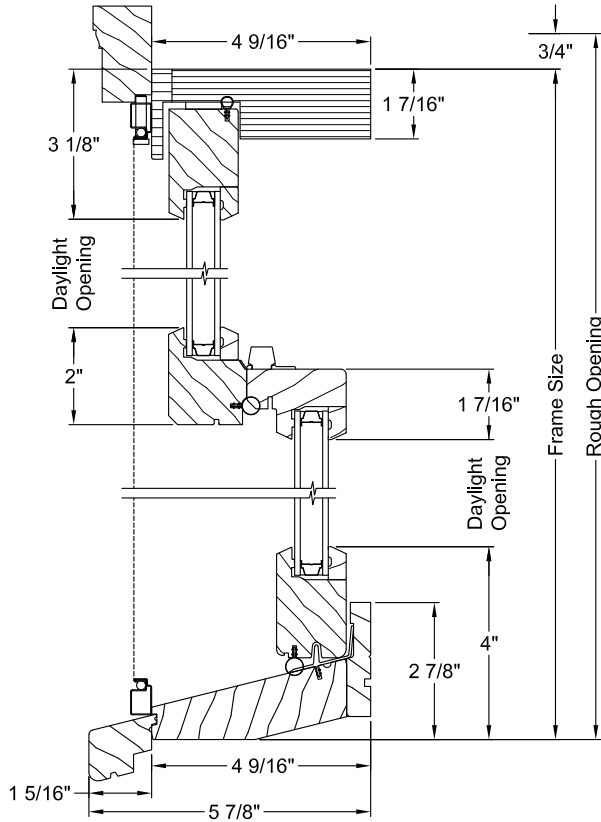
OPERATOR IMPACT SECTIONS



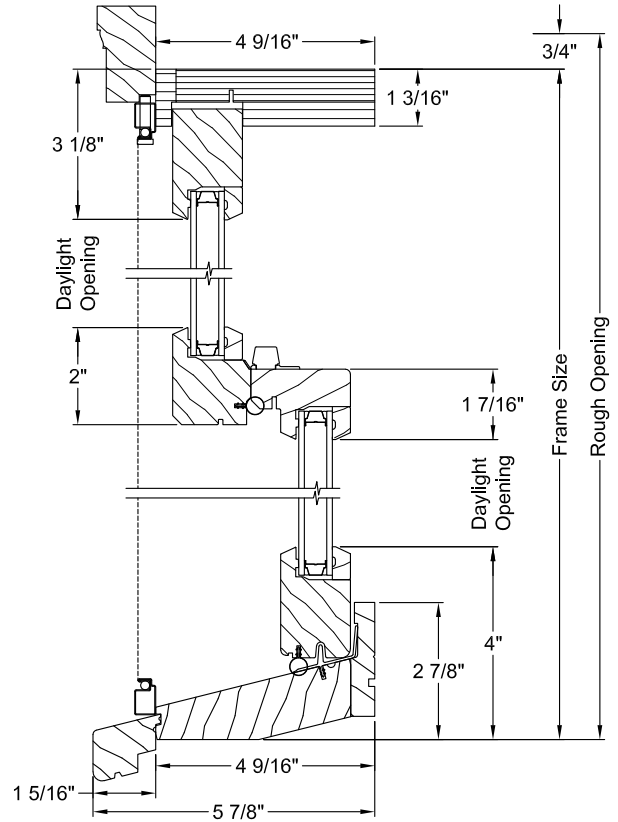


OPERATOR RADIUS TOP / SEGMENT HEAD - VERTICAL SECTIONS

Operator Radius Top

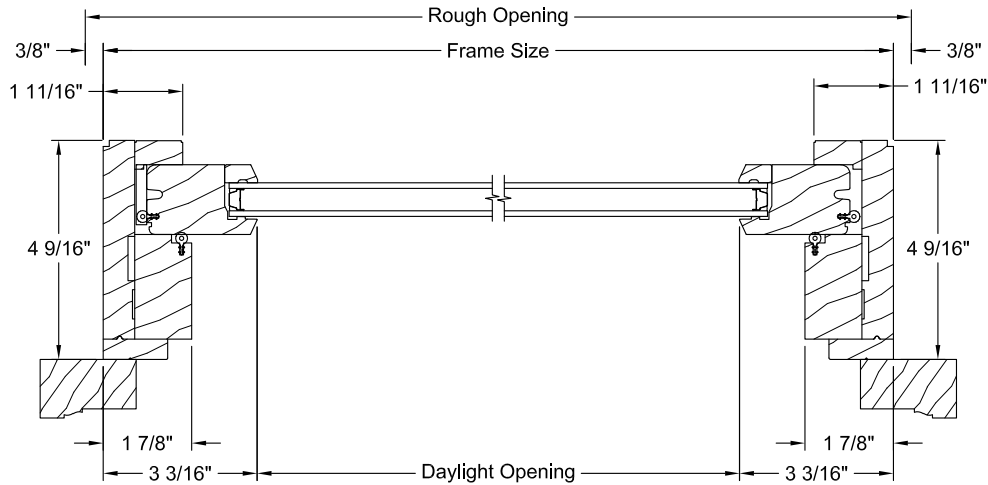
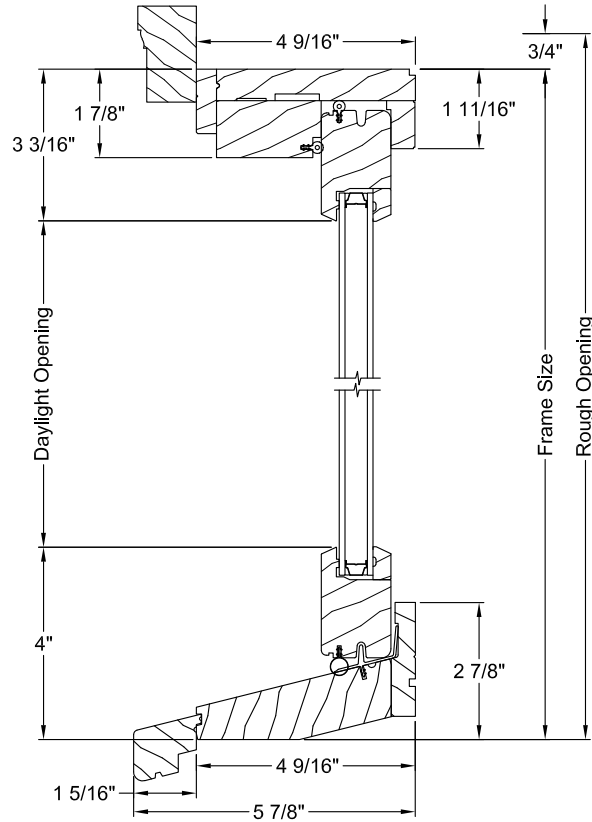
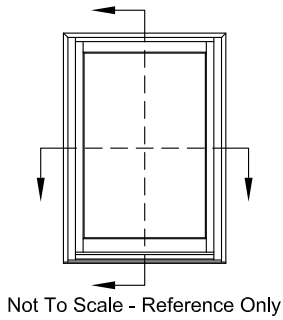


Operator Segment Head



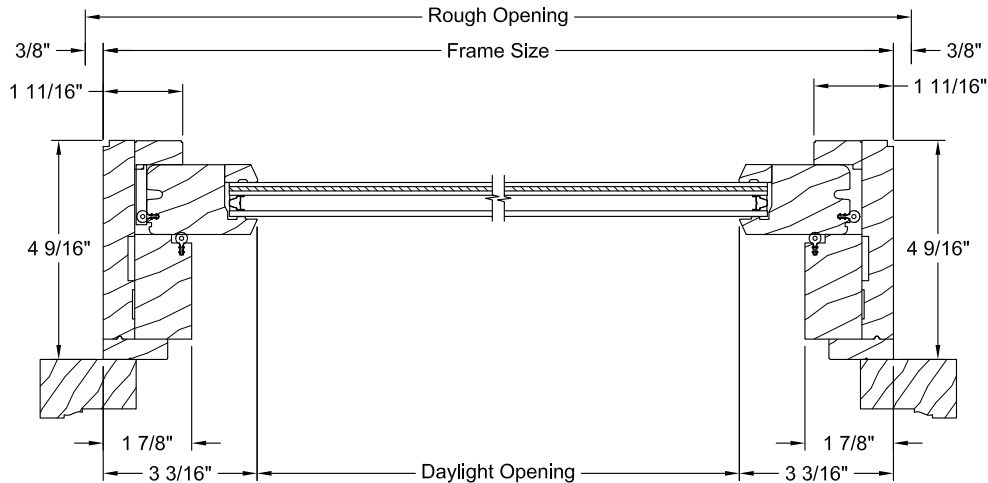
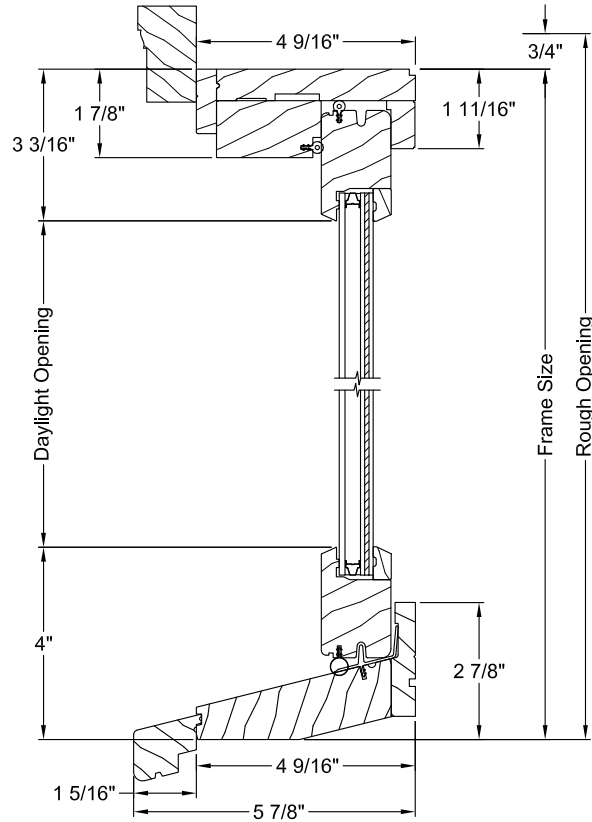
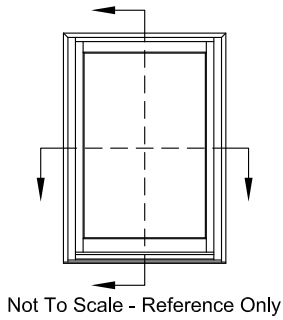


PICTURE SECTIONS

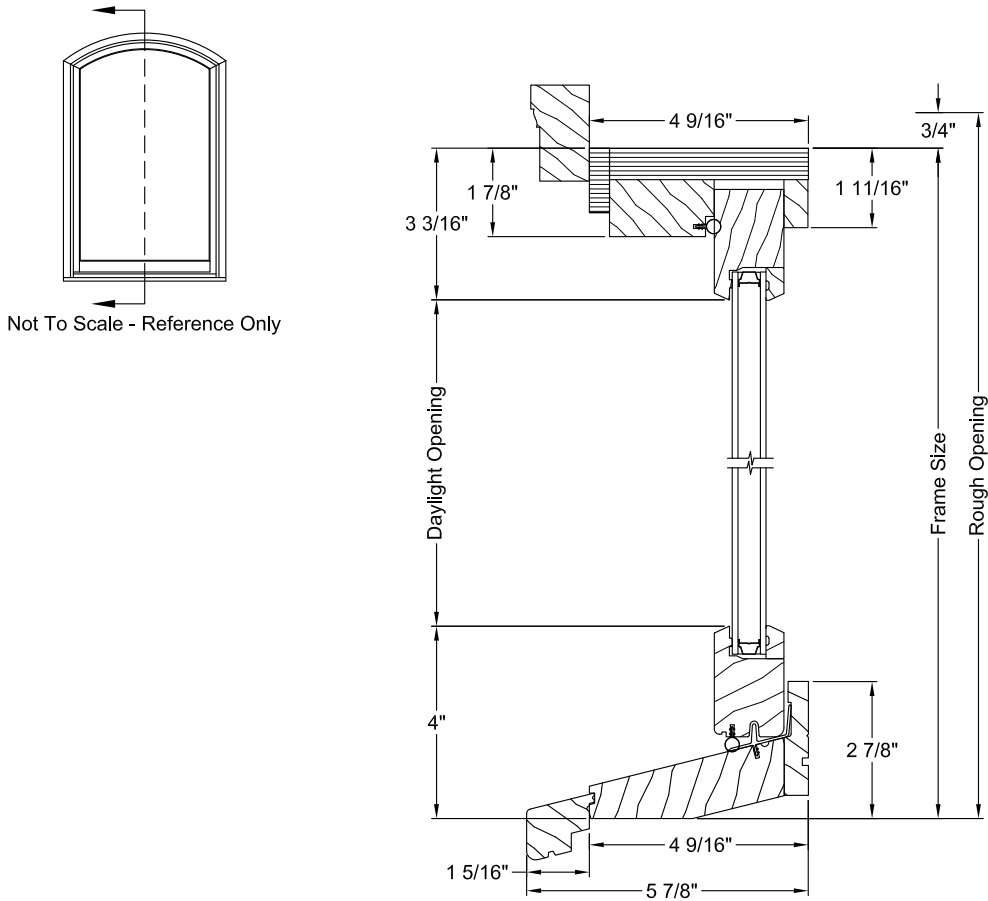




PICTURE IMPACT SECTIONS



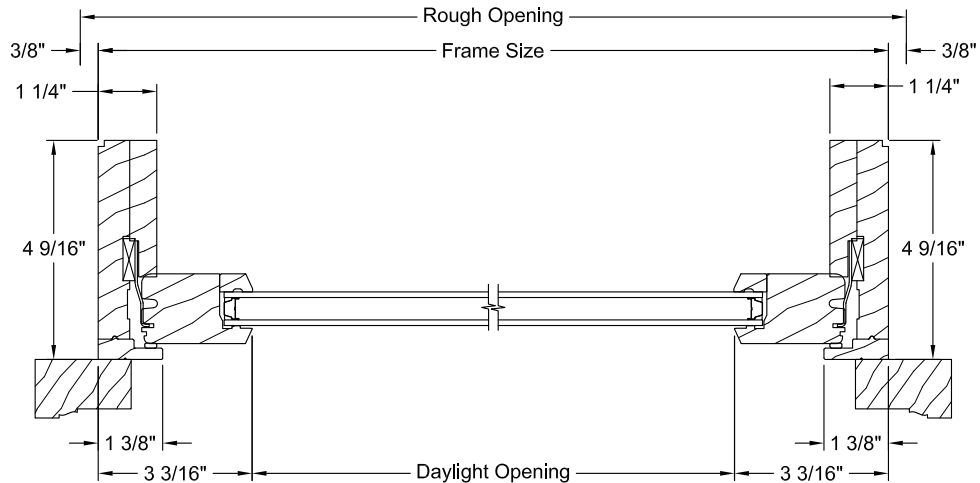
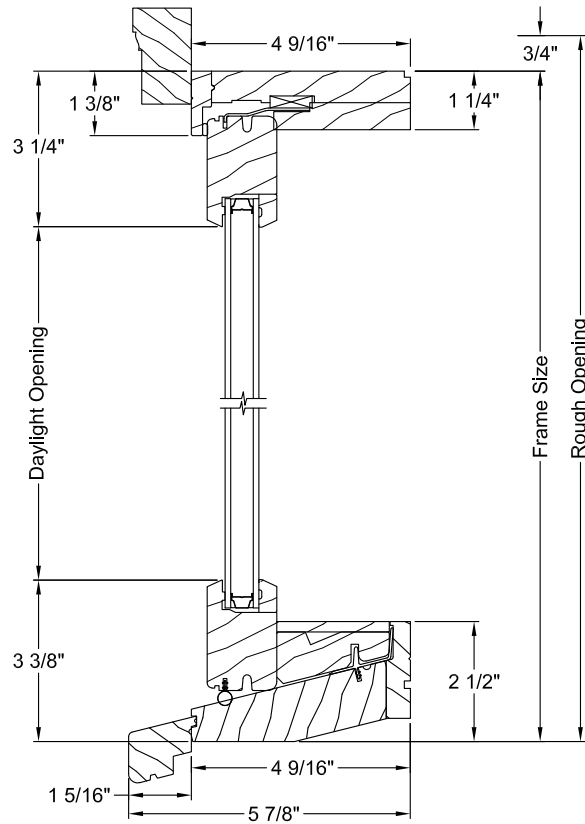
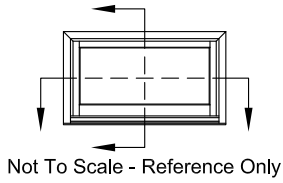
PICTURE RADIUS TOP & SEGMENT HEAD - VERTICAL SECTION



Note: Picture Radius Top & Picture Segment Head have the same cross-section

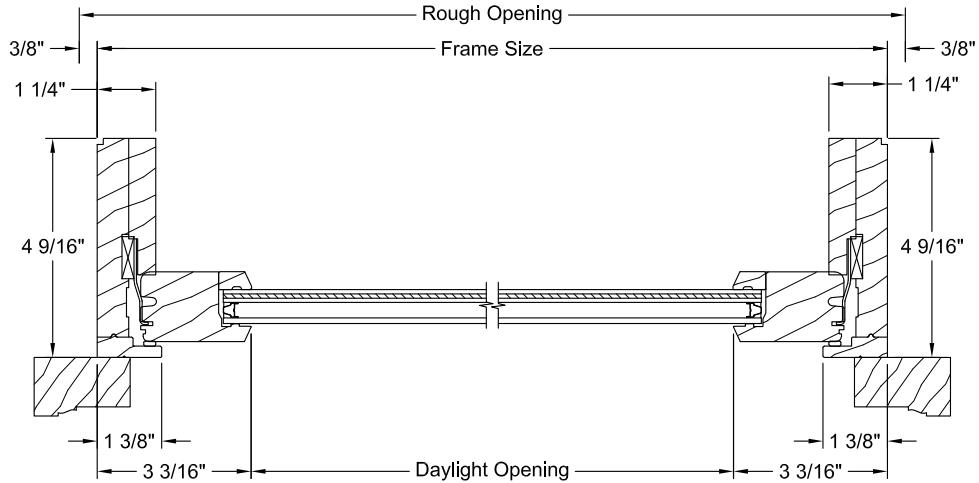
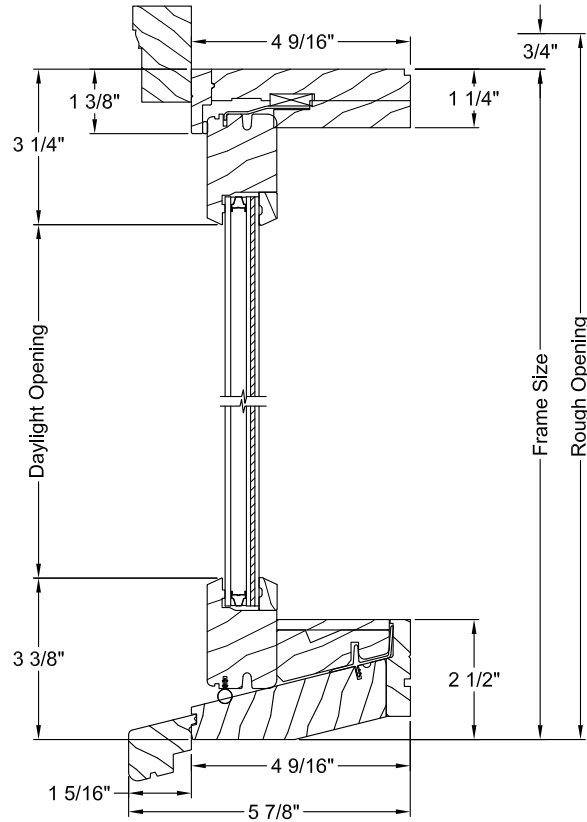
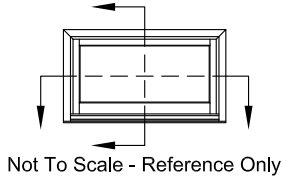


TRANSOM SECTIONS



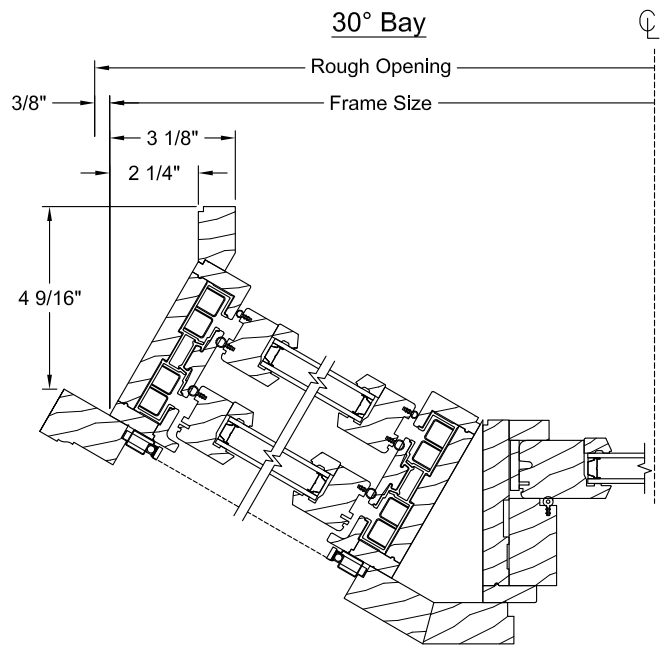
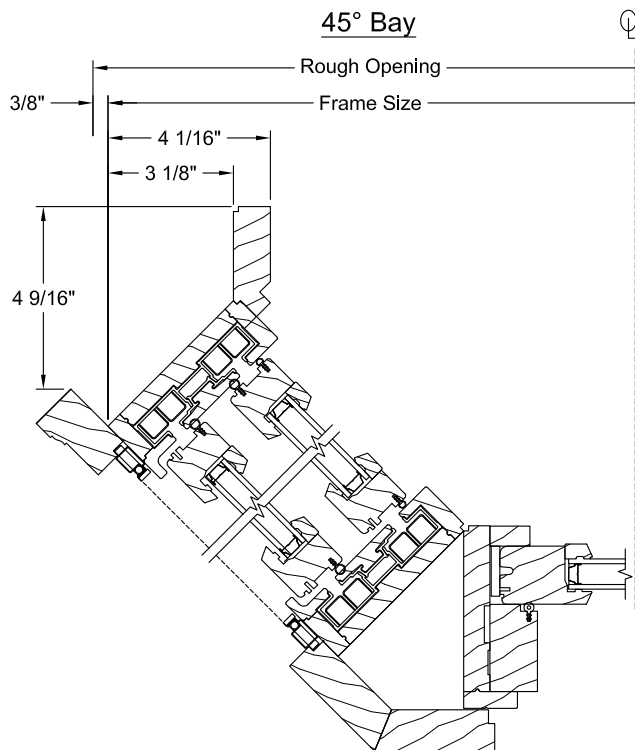
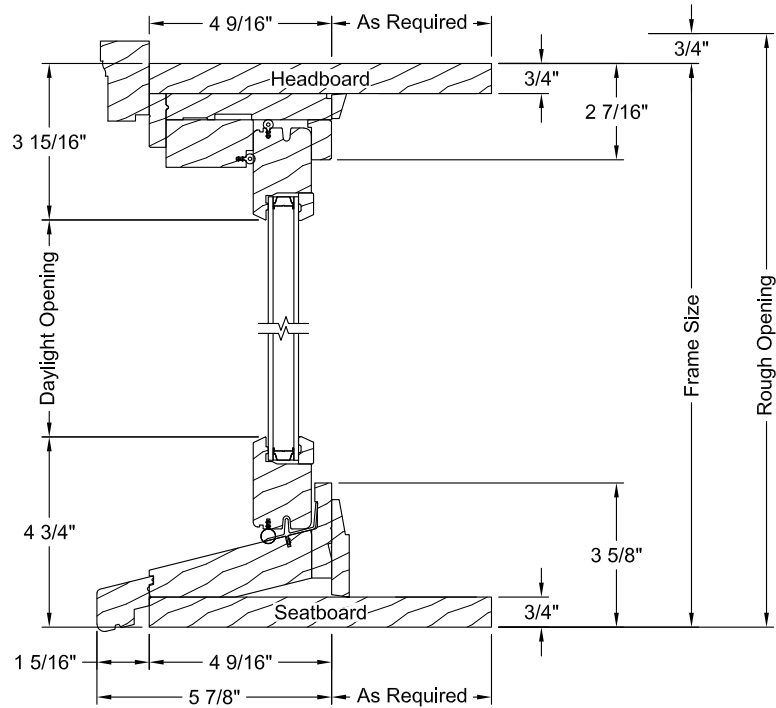


TRANSOM IMPACT SECTIONS





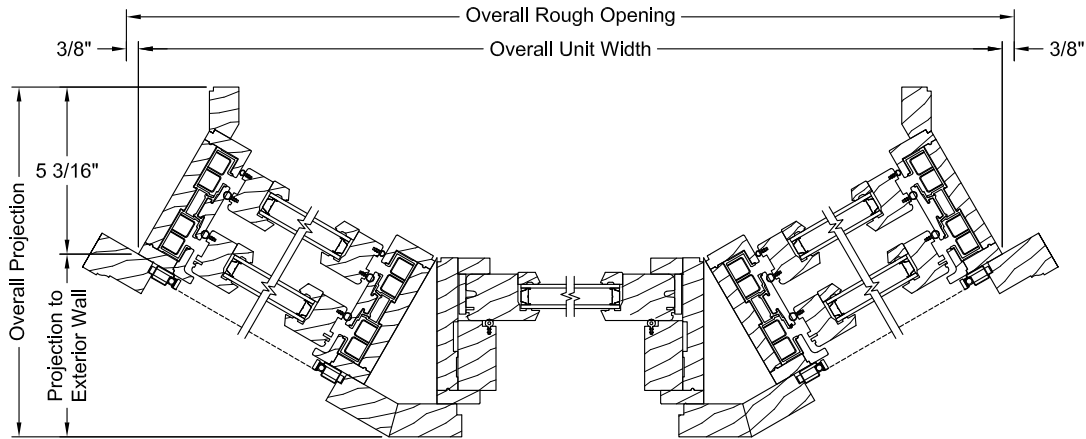
BAY SECTIONS



Note: Horizontal views symmetrical across centerline



BAY STANDARD PROJECTIONS



30° Bay				
Flanker Width	Overall Unit Width*	Overall Rough Opening*	Projection to Exterior Wall	Overall Projection
21 3/8"	85 5/8"	86 3/8"	11 5/16"	16 1/2"
25 3/8"	92 9/16"	93 5/16"	13 5/16"	18 1/2"
29 3/8"	99 1/2"	100 1/4"	15 5/16"	20 1/2"
31 3/8"	102 15/16"	103 11/16"	16 5/16"	21 1/2"
33 3/8"	106 7/16"	107 3/16"	17 5/16"	22 1/2"
37 3/8"	113 3/8"	114 1/8"	19 5/16"	24 1/2"
41 3/8"	120 5/16"	121 1/16"	21 5/16"	26 1/2"
45 3/8"	127 3/16"	127 15/16"	23 5/16"	28 1/2"

45° Bay				
Frame Width	Overall Unit Width*	Overall Rough Opening*	Projection to Exterior Wall	Overall Projection
21 3/8"	80 3/4"	81 1/2"	16 7/16"	21 15/16"
25 3/8"	86 3/8"	87 1/8"	19 1/4"	24 3/4"
29 3/8"	92 1/16"	92 13/16"	22 1/8"	27 5/8"
31 3/8"	94 7/8"	95 5/8"	23 1/2"	29"
33 3/8"	97 11/16"	98 7/16"	24 15/16"	30 7/16"
37 3/8"	103 3/8"	104 1/8"	27 3/4"	33 1/4"
41 3/8"	109"	109 3/4"	30 9/16"	36 1/16"
45 3/8"	114 11/16"	115 7/16"	33 7/16"	38 15/16"

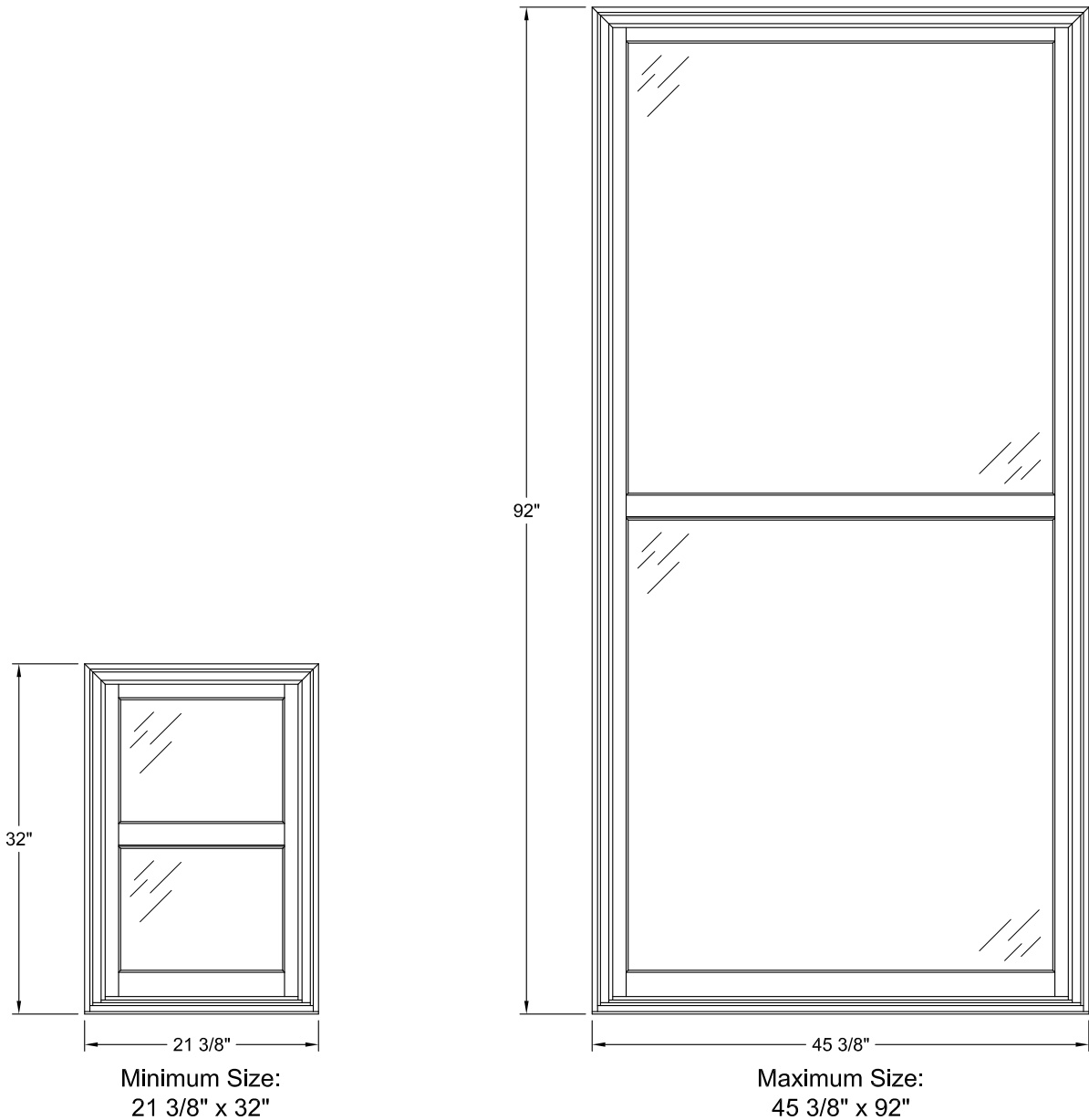
Note: 30° bay shown for reference only.

Table values calculated using 4 9/16" jamb depths and standard nail fin.

* Overall Unit Width and Overall Rough Opening calculated using a 44 1/16" Center Frame Width. To calculate the values with a different Center Frame Width, add the difference of the Center Frame Widths to the overall width values.



MIN-MAX SIZING



Operator Width			
21 3/8"	25 3/8"	29 3/8"	33 3/8"
35 3/8"	37 3/8"	41 3/8"	45 3/8"
Operator Height			
32"	36"	40"	44"
48"	52"	56"	60"
64"	68"	72"	76"
80"	88"	92"	