



# Certificate of Appropriateness

Milwaukee Historic Preservation Commission/841 N Broadway/Milwaukee, WI 53202/phone 414-286-5722

## Property Description of work

### 2615 N. Lake Dr., North Point North Historic District

Replacement metal hand rails at the porch stairs and front steps per the attached plans.

## Date issued 10/24/2024

In accordance with the provisions of Section 320-21 (11) and (12) of the Milwaukee Code of Ordinances, the Milwaukee Historic Preservation Commission has issued a certificate of appropriateness for the work listed above. The work was found to be consistent with preservation guidelines. The following conditions apply to this certificate of appropriateness:

N/A

All work must be done in a craftsman-like manner. Staff must approve any changes or additions to this certificate before work begins. Work that is not completed in accordance with this certificate may be subject to correction orders or citations. If you require technical assistance, please contact Historic Preservation staff as follows: Phone: (414) 286-5722 E-mail: [hpc@milwaukee.gov](mailto:hpc@milwaukee.gov).

## Permits and timeline

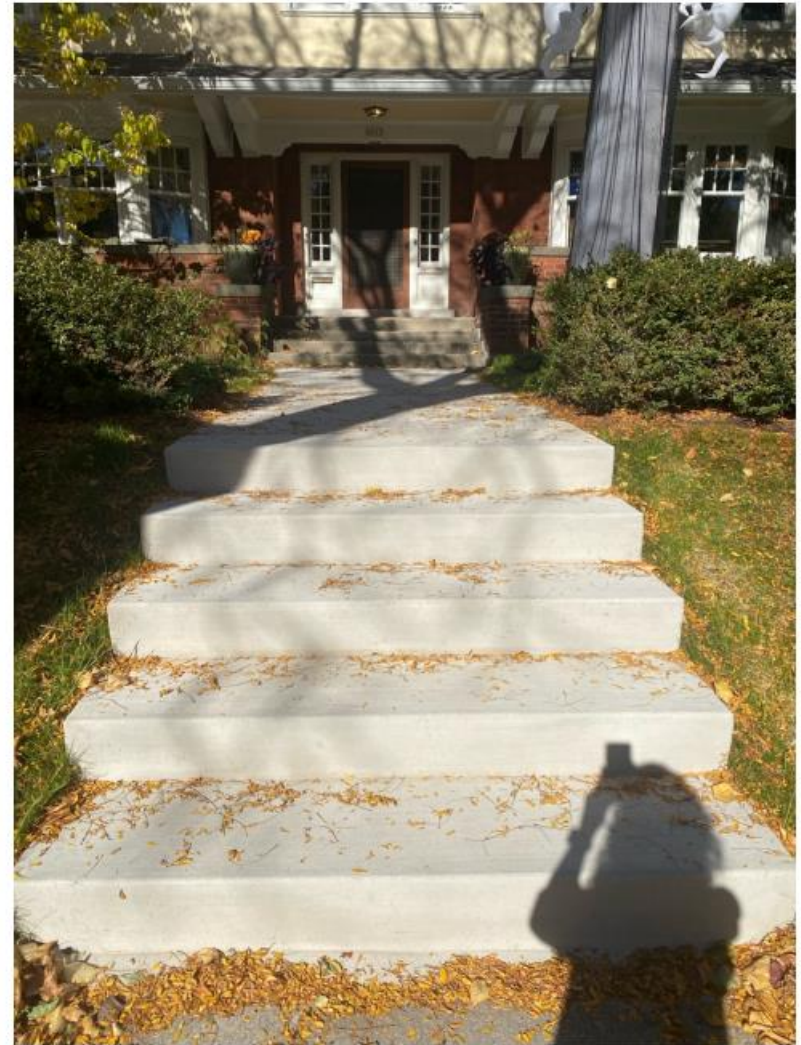
You are responsible for determining if permits are required and obtaining them prior to commencing work. Consult the Development Center on the web or by telephone for details: [www.milwaukee.gov/lms](http://www.milwaukee.gov/lms) - (414) 286-8210. If permits are not required, work must be completed within one year of the date this certificate was issued. If permits are required, permits must be obtained within one year of the date this certificate was issued.

City of Milwaukee Historic Preservation

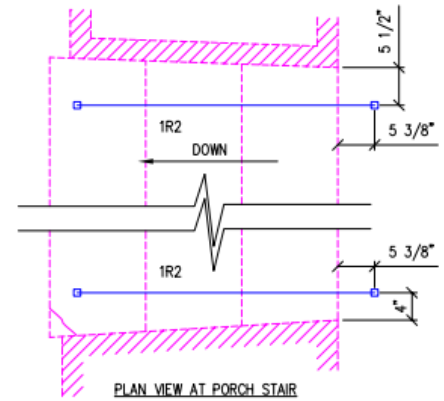
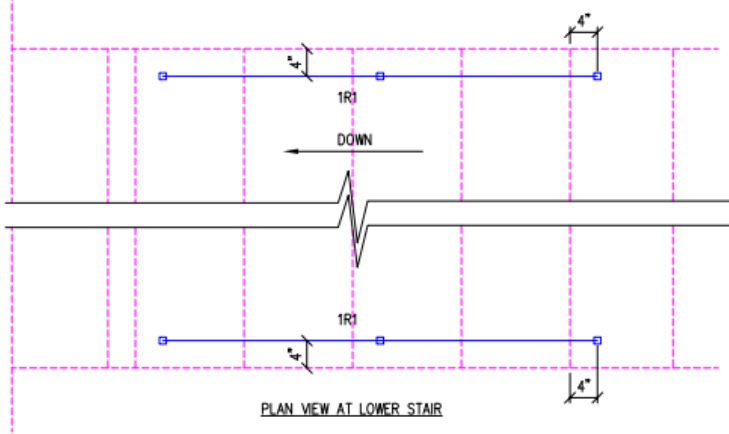
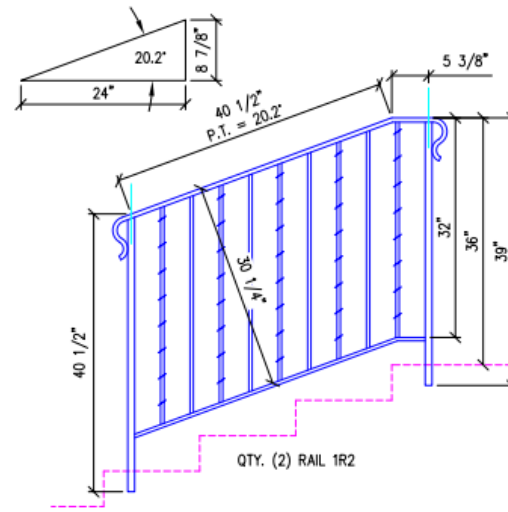
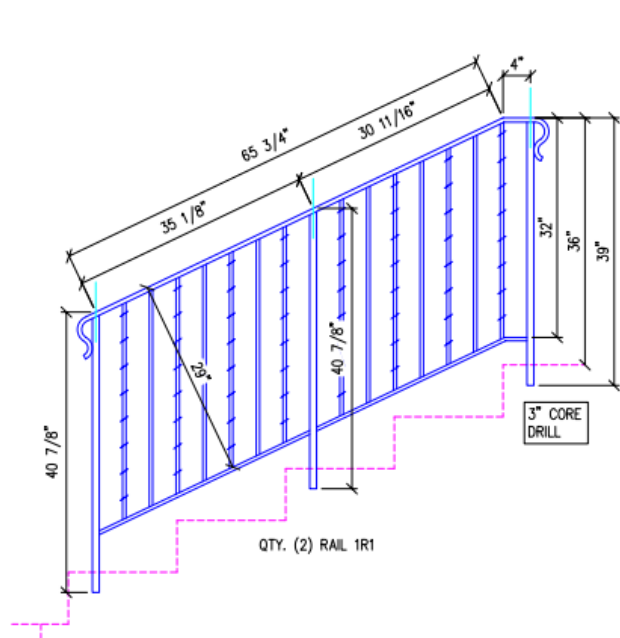
Copies to: Development Center, Ald. Brostoff



Old steps and Railings (September 2024)

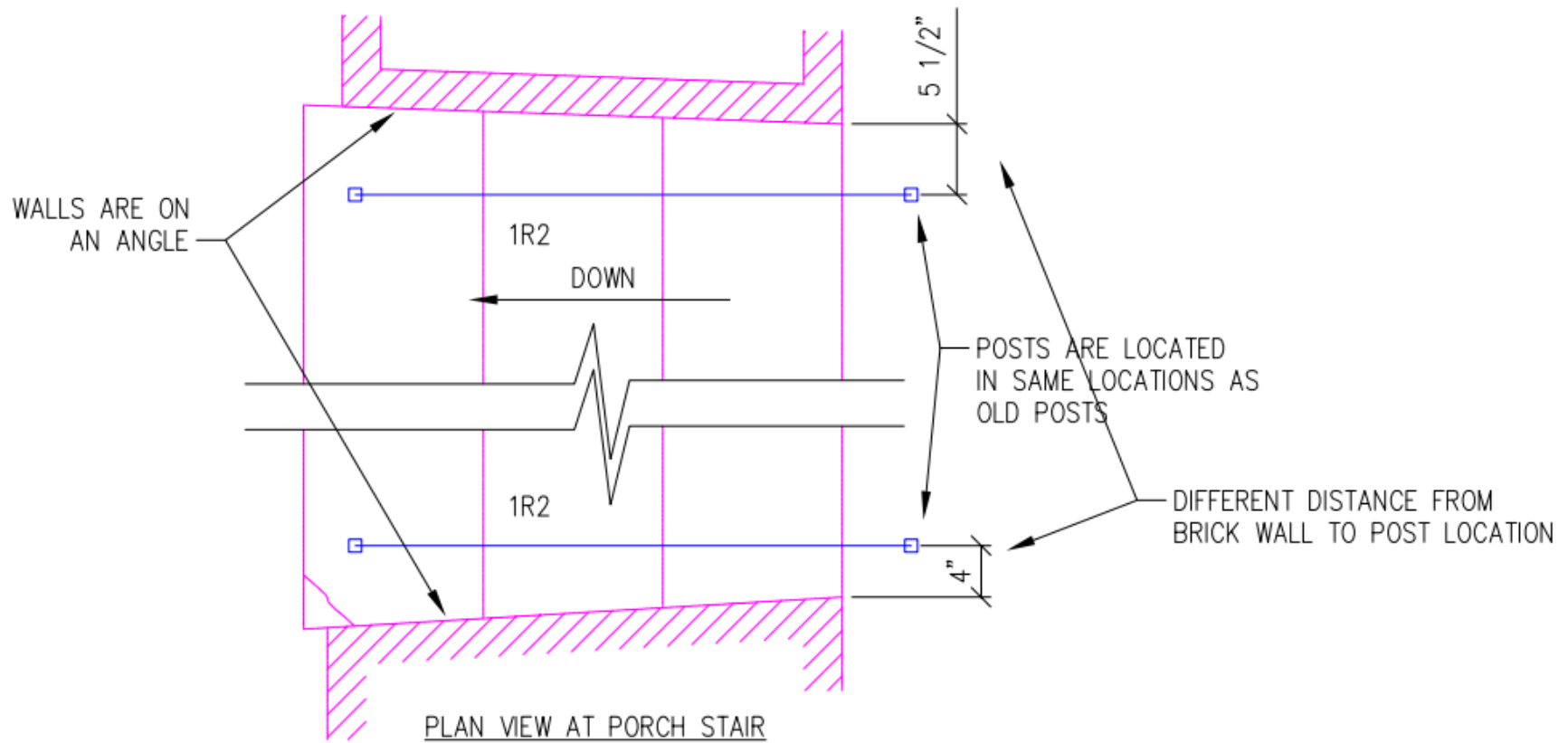


New Steps (October 2024)



MATERIAL SIZES
TOP RAIL = STANDARD MOLDED TOP
BOTTOM RAIL = CHANNEL 1" X 1/2" X 1/8"
POSTS = 1" SOLID SQUARE BAR
PICKETS = 1/2" SOLID SQUARE BAR (DOUBLE TWIST)

New rail design



Rail location at front porch steps