



# PETITION FOR A SPECIAL PRIVILEGE

ccl-246 (7/15)  
SP 2806  
CCF 160905

- New application \$250.00 Fee**
- Amendment to add items to Special Privilege # \_\_\_\_\_ (\$125.00 Fee)**
- Amendment to remove items from Special Privilege # \_\_\_\_\_ (No fee)**
- Amendment for change of ownership for Special Privilege # \_\_\_\_\_ (No fee)**

- File petition with the Department of Public Works, Attention: Special Privileges, 841 North Broadway, Room 919, Milwaukee, WI 53202.
- Fee must be submitted with petition. Checks should be made payable to the City of Milwaukee.
- Questions? Call 414-286-2454

To the Honorable, The Common Council of the City of Milwaukee:

The Licensee MARQUETTE UNIVERSITY  
(Name of Individual, Partners, Corporation or LLC)

being the owners of the following property known by street address as 1710 W. CLYBURN ST.  
(Street Address and Zip Code)

in the 4th Aldermanic District respectfully petition the Common Council of the City of Milwaukee according to the provisions of Section 66.0425 of the Wisconsin Statutes, that the following privilege be granted:

Description of Special Privilege: CONSTRUCT STAIRS, RAILING & SIGNAGE WITHIN RIGHT OF WAY AND ALLOW FOR PARTIAL CANOPY OVERHANG WITHIN RIGHT OF WAY ALONG N. 17th STREET

Of which a plan or sketch is herewith submitted. Petitioner agrees to comply with all laws and all ordinances of the City of Milwaukee, to abide by any order or resolution of the Common Council affecting this privilege, to be primarily liable for damages to person or property by reason of the granting of such privilege, pay annual compensation as provided by law in the sum to be fixed by the proper city officers, and to file and keep current throughout the existence of the privilege, a certificate of insurance indicating applicant holds a public liability policy in at least the sums of \$25,000.00/\$50,000.00 bodily injury, and \$10,000.00 property damage, insuring the city against any liability that might arise by reason of the privilege.

Petitioner further agrees to remove said privilege whenever public necessity so requires when so ordered upon resolution adopted by the Common Council or other legislative body.

Should this special privilege be discontinued for any reason whatsoever, petitioner agrees to remove all construction work executed pursuant to this special privilege, to restore to its former condition and to the approval of the Commissioner of Public Works, any curb, pavement, or other public improvement which was removed, changed or disturbed by reason of the granting of this special privilege. Petitioner further agrees not to contest the validity of Section 66.0425 of the Wisconsin Statutes, or the legality of this special privilege in any way.

Name (Please Print): KURT YOUNG BINTER, Marquette University Facilities  
(Individual, Partner, or Agent if corporation or LLC as shown above)

Signature: [Signature] Date: 09 aug 10  
(Individual, Partner, or Agent if corporation or LLC)

Corporation or LLC Name: MARQUETTE UNIVERSITY  
(If applicable, as shown above)

Mailing Address (If different than property address above): 404 West Clyburn 53233

(OVER)

City: Milwaukee State: WI Zip: 53233

Telephone: 414.288.5279 E-Mail: kurt.youngbunter@marquette.edu

Architect/Engineer/Contractor (If Applicable)

Name: PETER SCHNEIDER / GROTH DESIGN GROUP

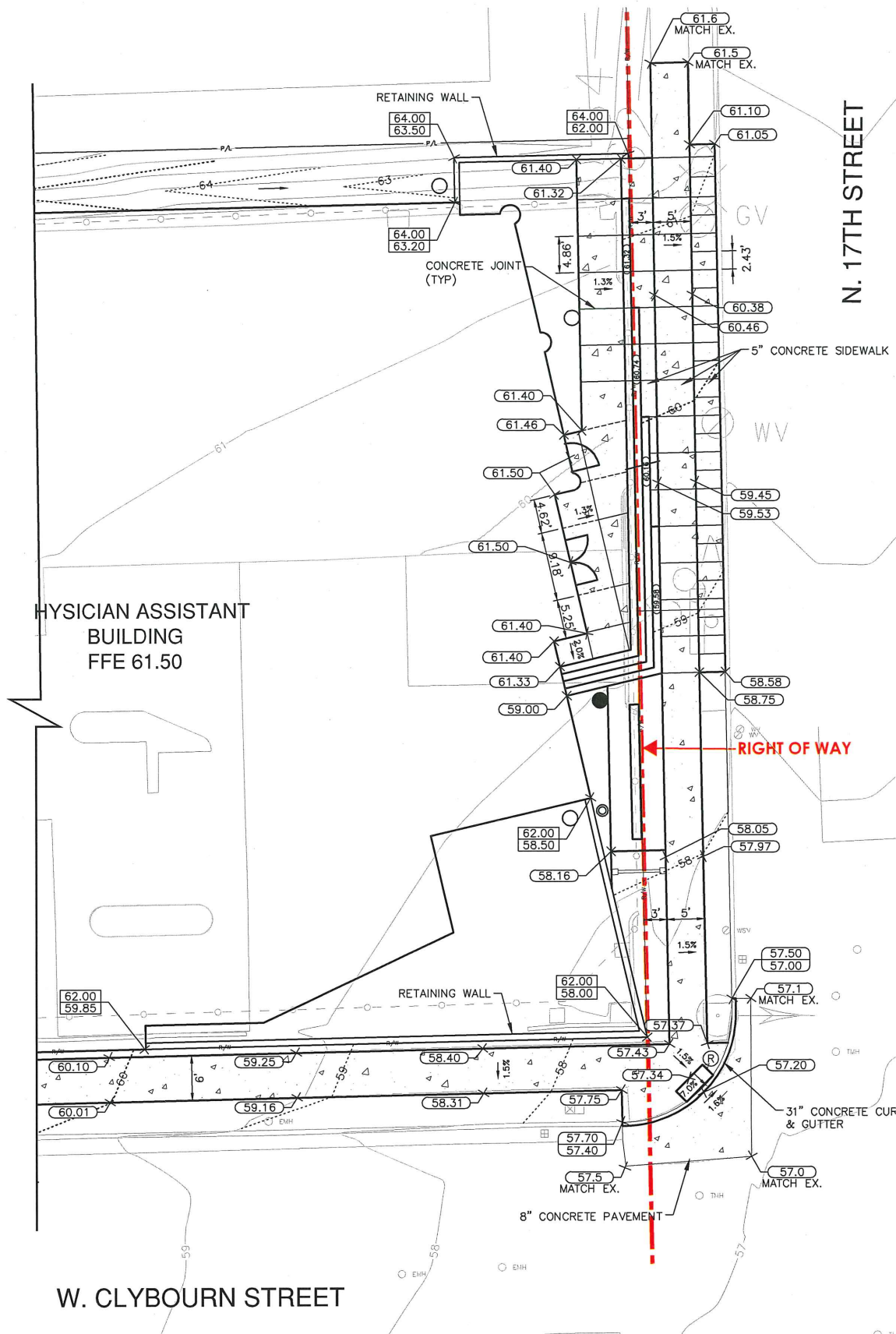
Address: 700 W. VIRGINIA ST. - STE B105

City: MILWAUKEE State: WI Zip: 53204

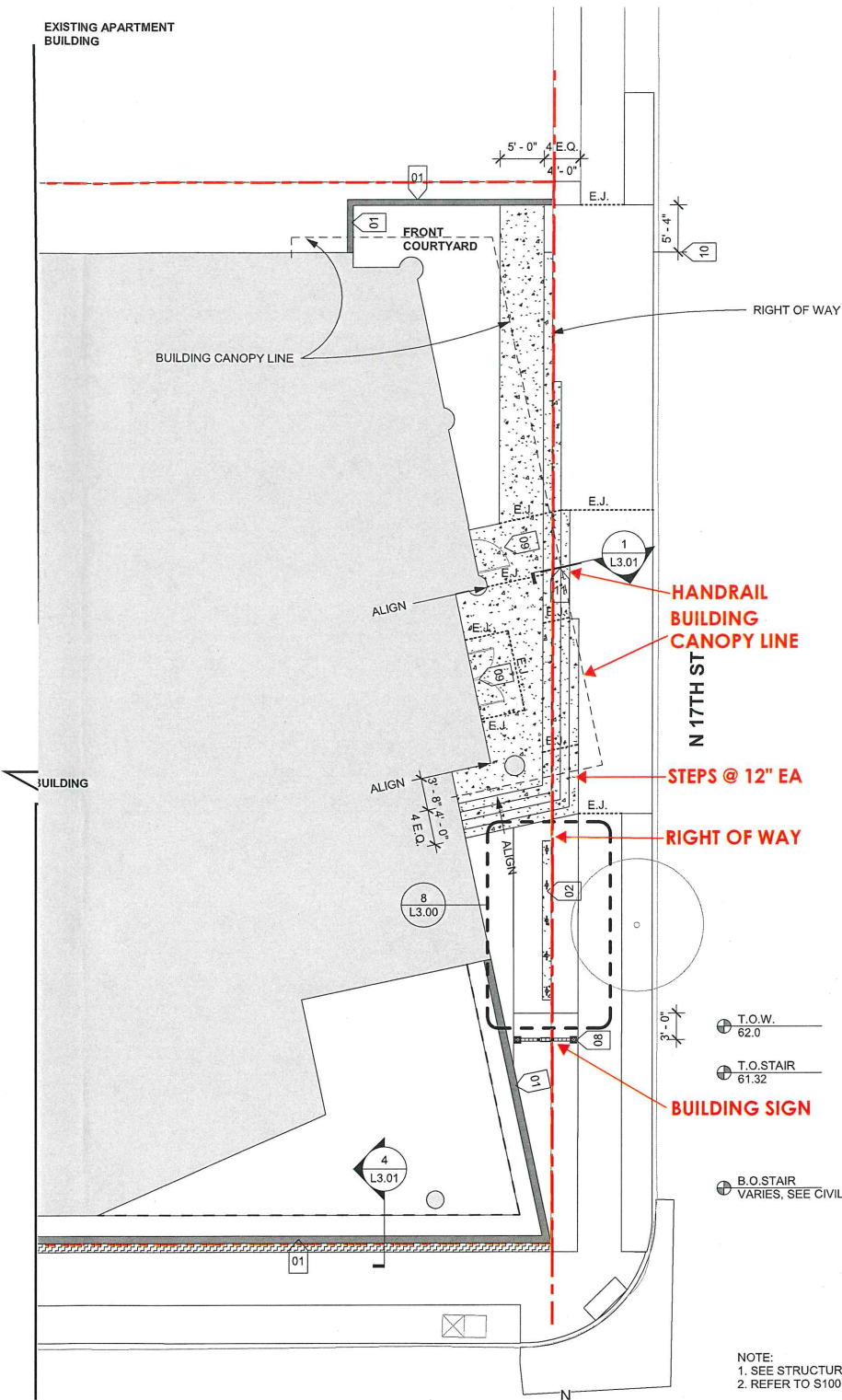
Telephone: 262-377-8001 E-Mail: pschneider@gdg-architects.com

**IMPORTANT NOTICE FOR CUSTOMERS PAYING BY CHECK**

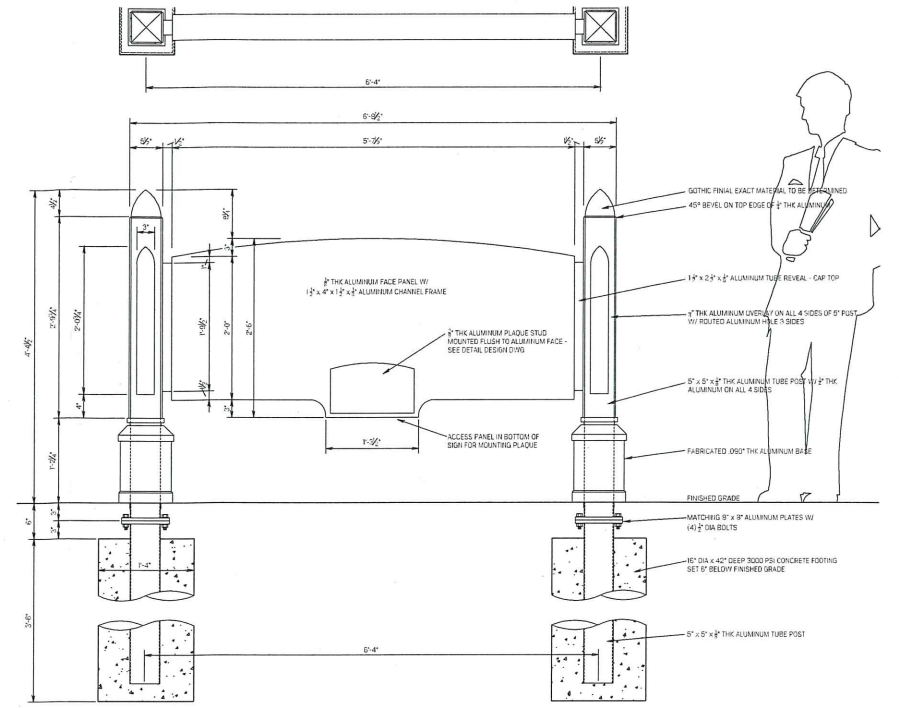
When you provide a check as payment, you authorize us either to use information from your check to make a one-time electronic fund transfer from your account or to process the payment as a check transaction.



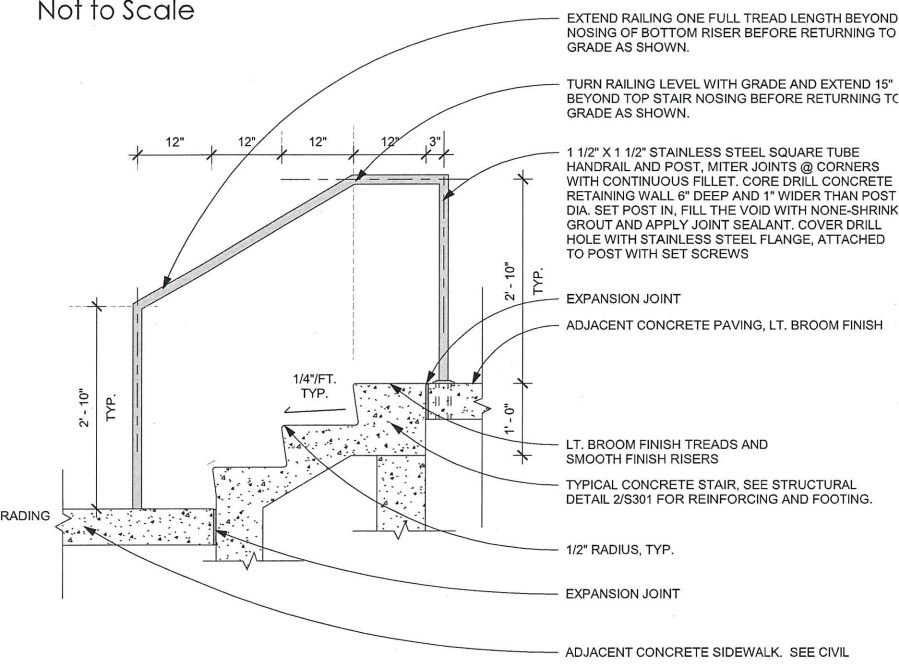
**PARTIAL SITE LAYOUT PLAN**  
Scale: 1"=40'-0"



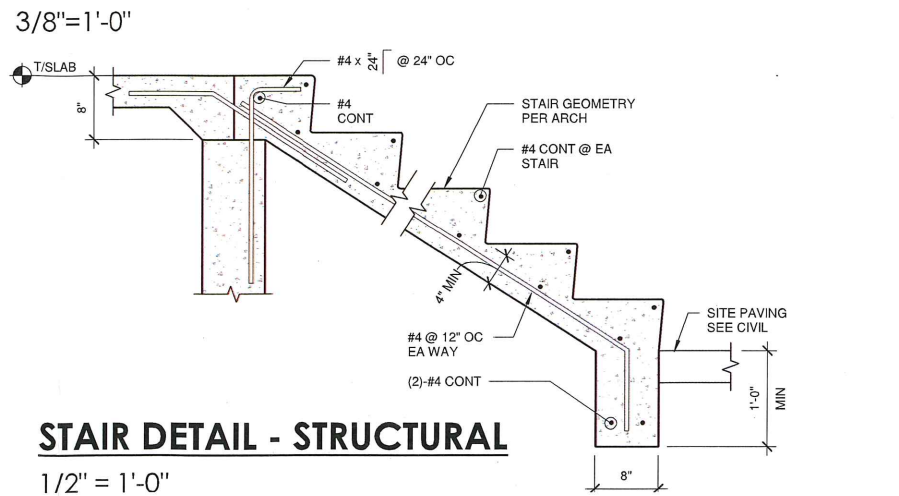
**PARTIAL LANDSCAPE PLAN**  
Scale: 1"=40'-0"



**FRONT ELEVATION - BUILDING SIGN**  
Not to Scale



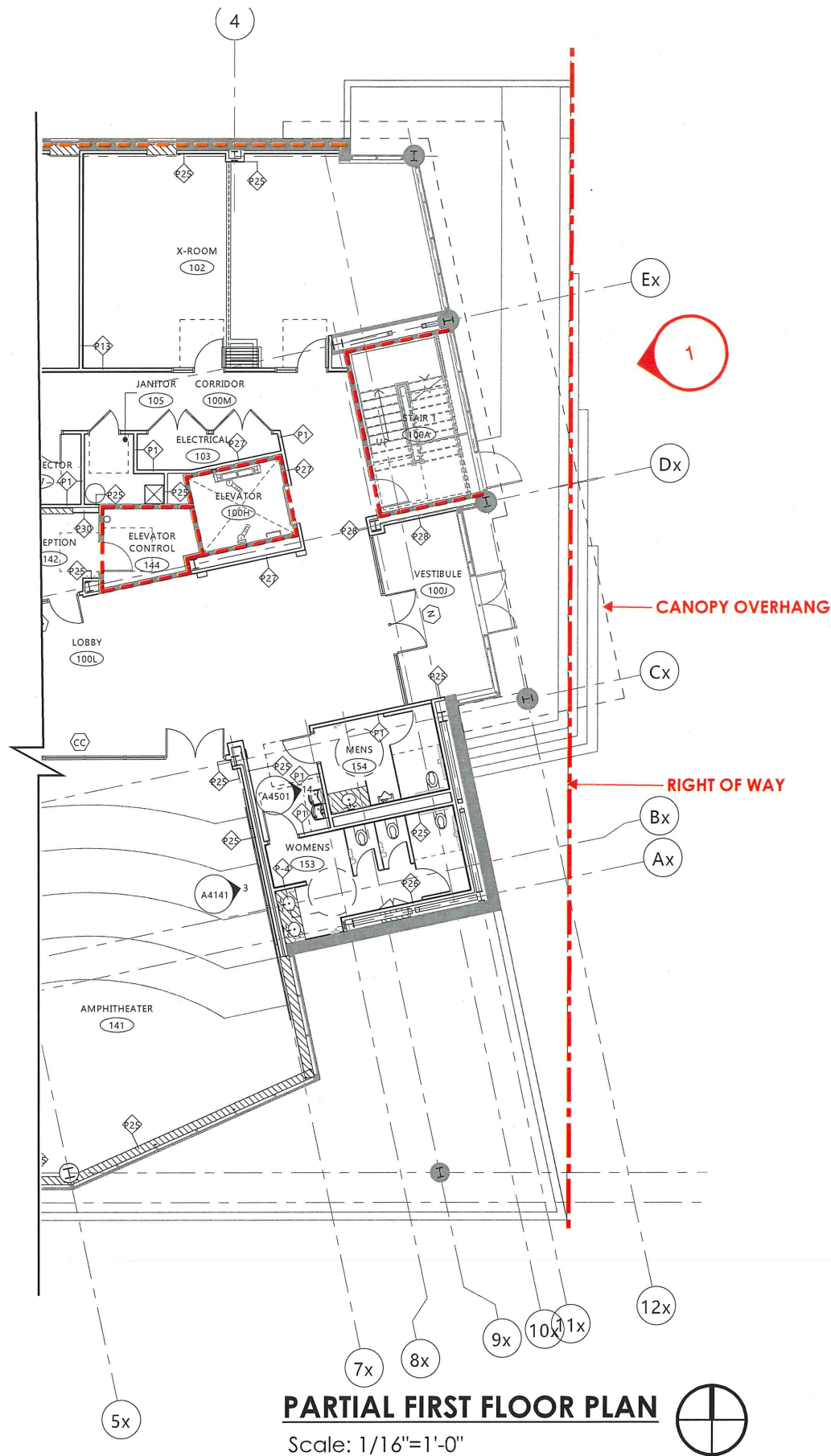
**FRONT COURTYARD STAIR SECTION**  
3/8"=1'-0"



**STAIR DETAIL - STRUCTURAL**  
1/2"=1'-0"



**MARQUETTE UNIVERSITY**  
**PHYSICIAN ASSISTANT STUDIES BUILDING**  
1710 W Clybourn St, Milwaukee WI 53201



**PARTIAL FIRST FLOOR PLAN**  
Scale: 1/16"=1'-0"



**1- EXTERIOR ELEVATION - EAST (from 17th Street)**  
Scale: 1/16" = 1'-0"