



180681  
ORD-15-11883081-H

## Certificate of Appropriateness

Milwaukee Historic Preservation Commission/200 E. Wells Street/Milwaukee, WI 53202/phone 414-286-5712/fax 414-286-3004

**Property** 2217 N. SHERMAN BL. Sherman Blvd HD  
**Description of work** Construct replacement porch at rear of duplex in a smaller size than the original per attached design. Brick piers are not required and skirting that hides the entire base and support structure shall be used. Columns shall be square instead of round. Heights shall be adjusted to fit this building's dimensions. Horizontal dimensions shall be as shown.

This COA addresses ORD-15-11883081-H in part.

**Date issued** 9/10/2018 PTS ID 114544 COA: Replace rear porch with smaller design

In accordance with the provisions of Section 320-21 (11) and (12) of the Milwaukee Code of Ordinances, the Milwaukee Historic Preservation Commission has issued a certificate of appropriateness for the work listed above. The work was found to be consistent with preservation guidelines. The following conditions apply to this certificate of appropriateness:

1. All finish wood must be smooth and free of knots and must be painted or stained with an opaque stain upon completion. Note: when new, bare wood is left exposed to the exterior elements for a period of only a week or two, the life the of the paint job subsequently applied to it will be decreased. The use of a naturally decay-resistant wood species for residential porches is required by city ordinance and Wisconsin UDC.
2. Pressure-treated wood may be used only for structural pieces that are entirely hidden from view (joists, connections to footings, interior of columns, etc.)

All work must be done in a craftsman-like manner, and must be completed within one year of the date this certificate was issued. Staff must approve any changes or additions to this certificate before work begins. Work that is not completed in accordance with this certificate may be subject to correction orders or citations. If you require technical assistance, contact Historic Preservation staff as follows: Phone: (414) 286-5712 E-mail: [hpc@milwaukee.gov](mailto:hpc@milwaukee.gov).

If permits are required, you are responsible for obtaining them from the Milwaukee Development Center. If you have questions about permit requirements, please consult the Development Center's web site, [www.milwaukee.gov/build](http://www.milwaukee.gov/build), or call (414) 286-8210.

---

City of Milwaukee Historic Preservation Staff

Copies to: Development Center, Ald. Russell Stamper II, Contractor, Inspector David Kagel



Stucco

Stucco

Stucco

Stucco

Stucco

Stucco

soffit

facia

Rear porch in 2008

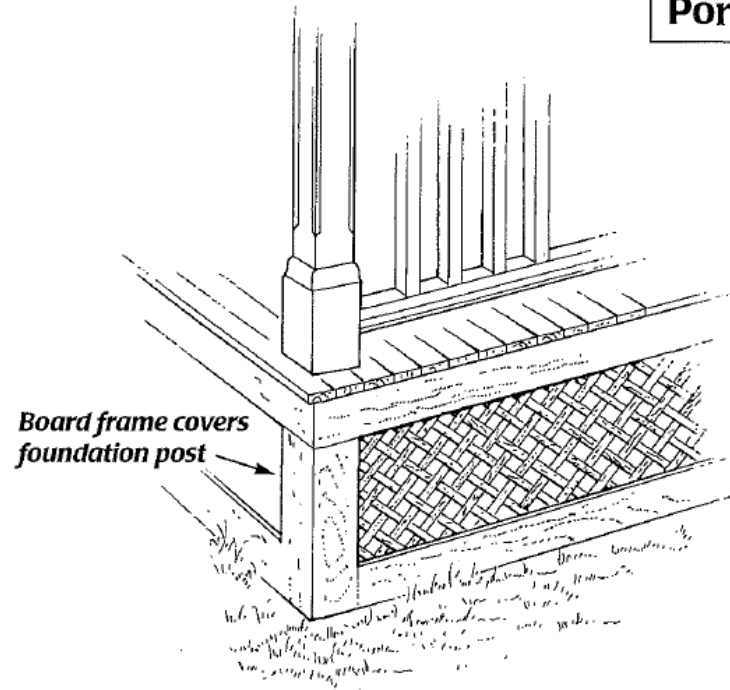


Model porch, must be painted. Brick piers will not be used. Skirting and corners to be per diagram below.

## Porches



Porc



Board frame covers foundation post

**Skirting, such as this lattice panel, enclosed the area beneath the porch floor. It should always be installed with a continuous board frame around it that is wide enough to cover the rough framing lumber that supports the porch deck.**

PORCH DESIGN FOLLOW ON LARGE PAGES.



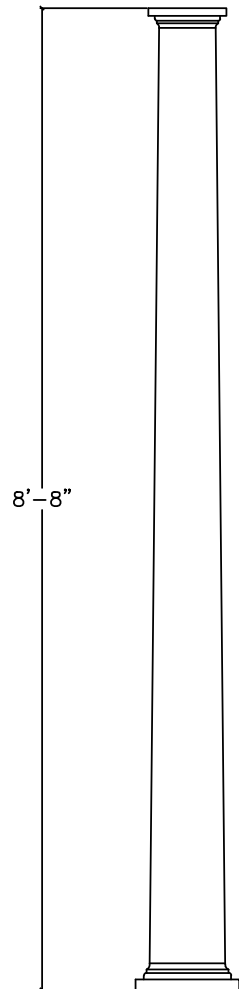


MILWAUKEE  
**HISTORIC  
PRESERVATION  
COMMISSION**

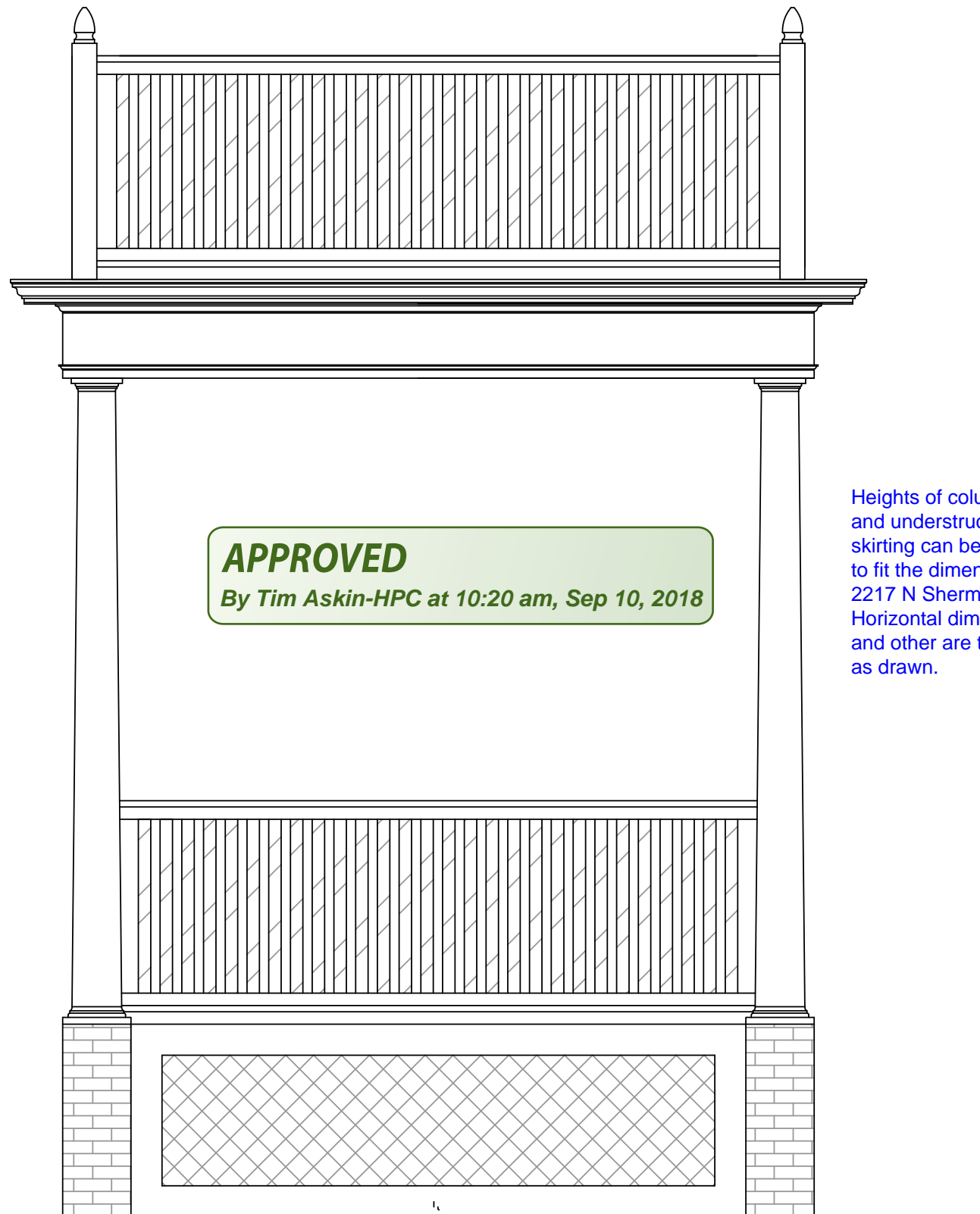
*Living with history*

2145 N. Sherman Blvd  
**THE MILWAUKEE  
PRESERVATION  
PORTFOLIO**

MILWAUKEE HISTORIC  
PRESERVATION COMMISSION  
200 E. WELLS ST.  
MILWAUKEE, WI 53202  
(414) 286-5712



8'-8"

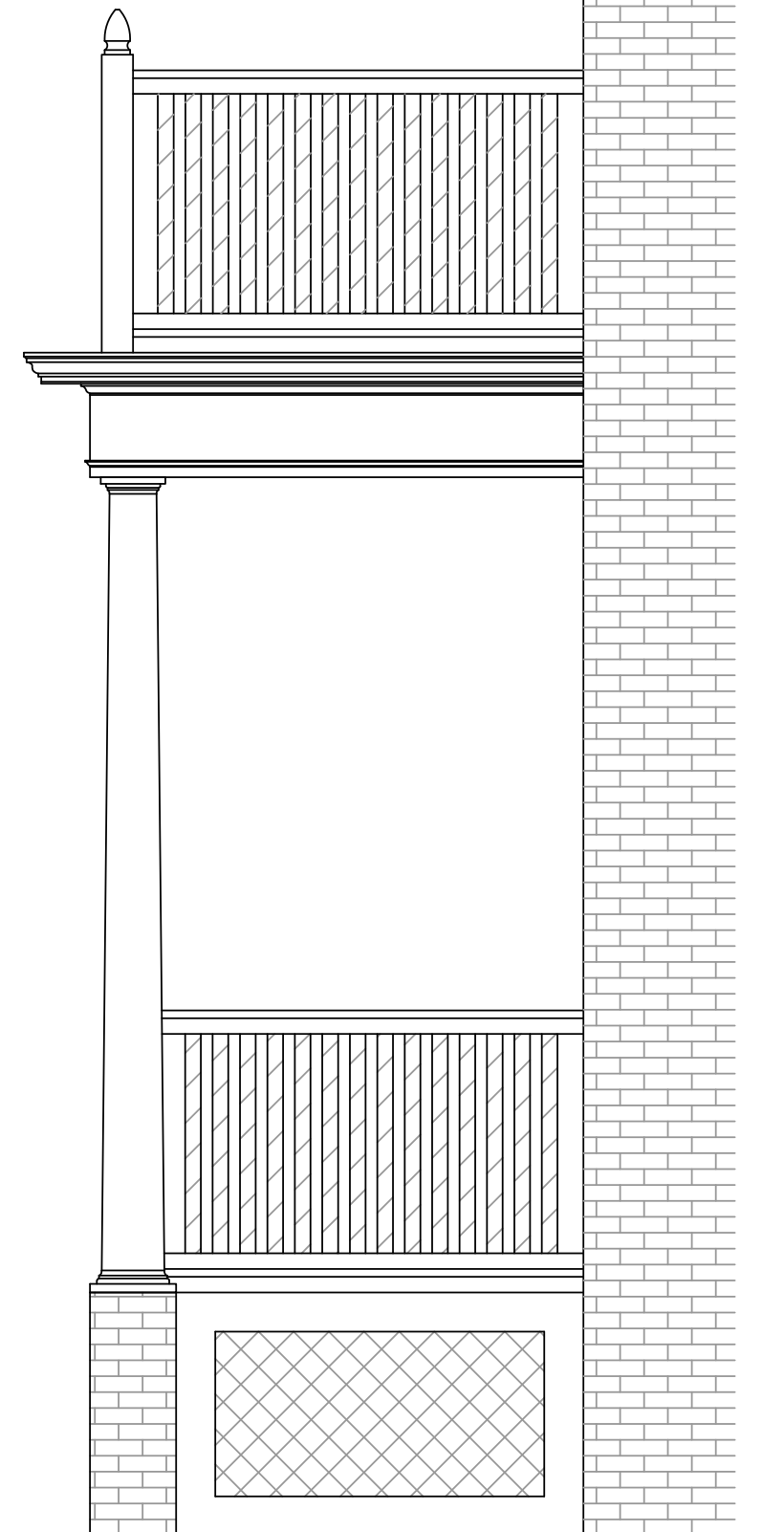


**APPROVED**

*By Tim Askin-HPC at 10:20 am, Sep 10, 2018*

Heights of columns  
and understructure/  
skirting can be altered  
to fit the dimensions of  
2217 N Sherman.  
Horizontal dimensions  
and other are to remain  
as drawn.

**Front Elevation**  
Scale 1:1



**Side Elevation**



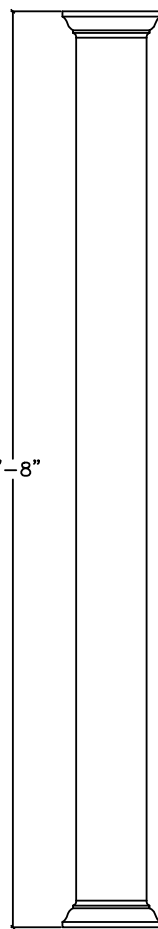
MILWAUKEE  
HISTORIC  
PRESERVATION  
COMMISSION

*Living with history*

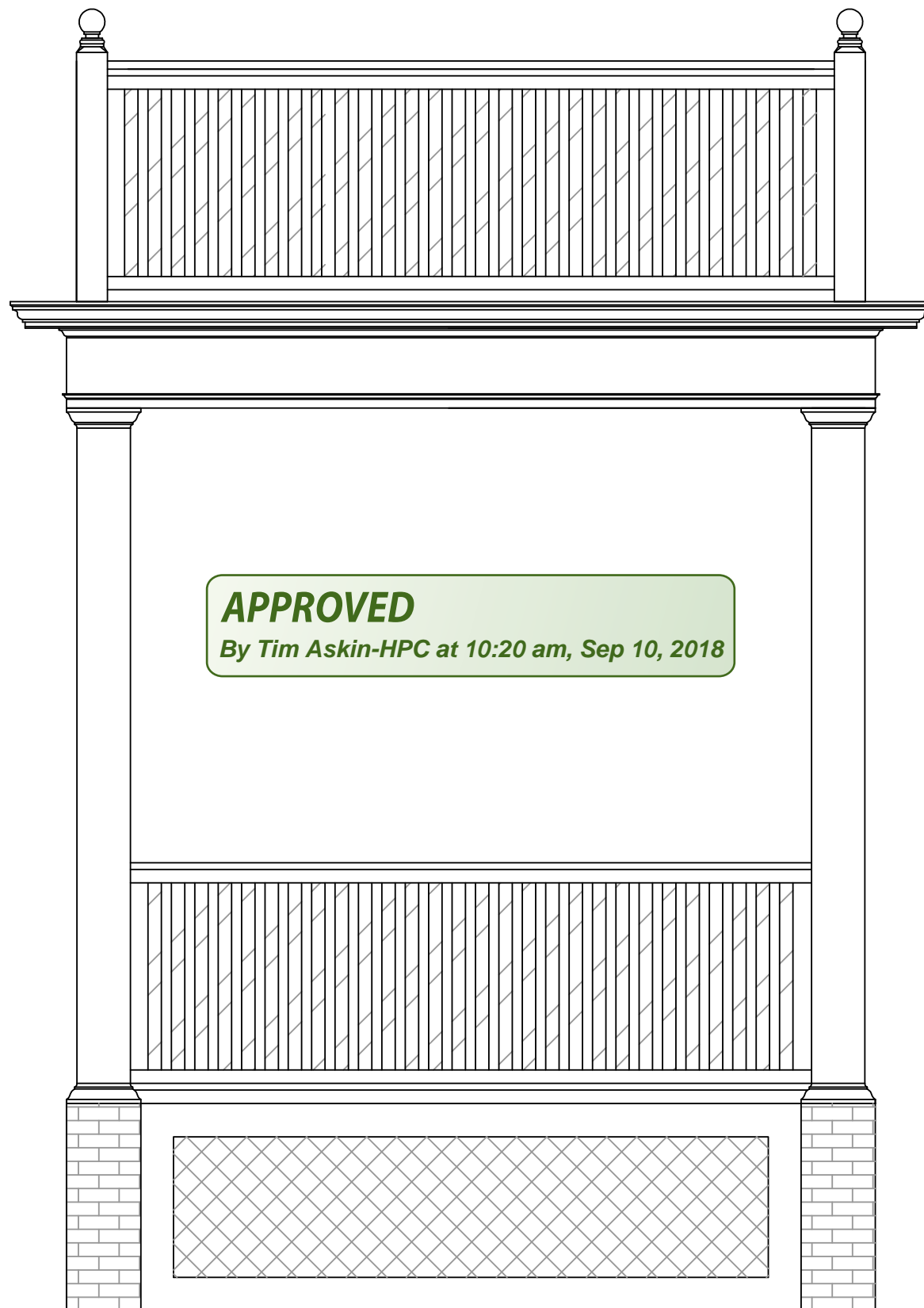
2145 N. Sherman Blvd

THE MILWAUKEE  
PRESERVATION  
PORTFOLIO

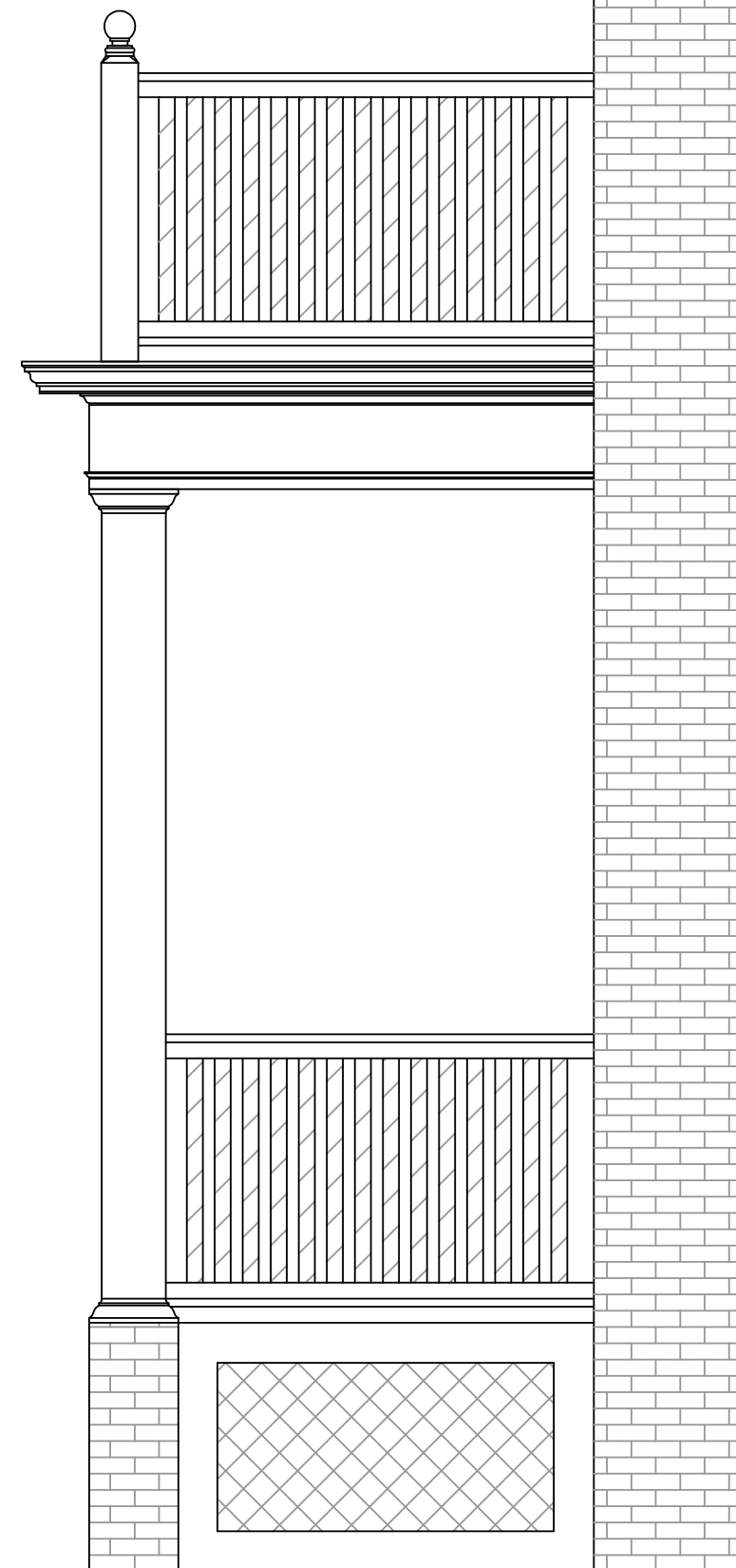
MILWAUKEE HISTORIC  
PRESERVATION COMMISSION  
200 E. WELLS ST.  
MILWAUKEE, WI 53202  
(414) 286-5712



8'-8"



**Front Elevation**  
Scale 1:1



**Side Elevation**

Heights of columns  
and understructure/  
skirting can be altered  
to fit the dimensions of  
2217 N Sherman.  
Horizontal dimensions  
and other are to remain  
as drawn.

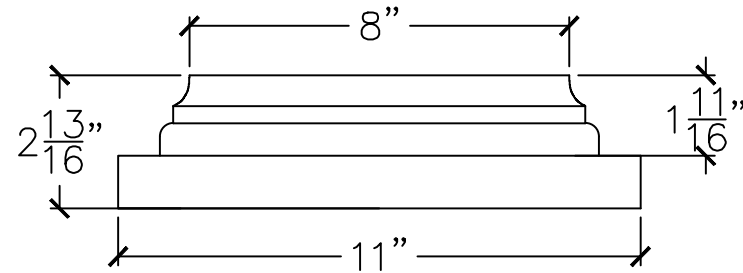
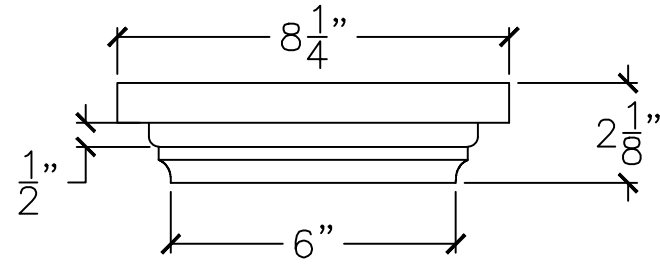


MILWAUKEE  
**HISTORIC  
PRESERVATION  
COMMISSION**

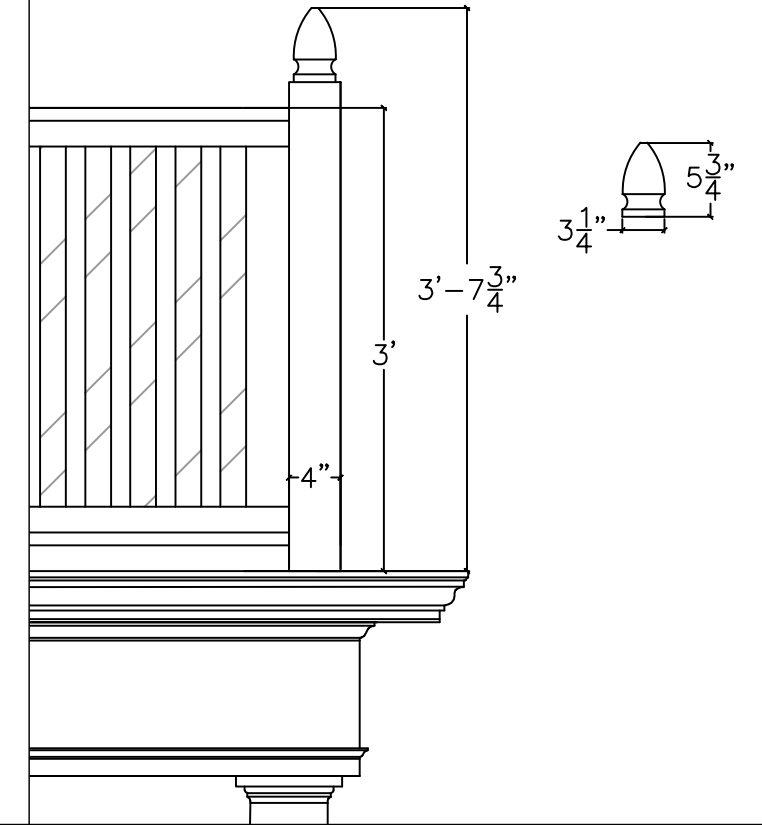
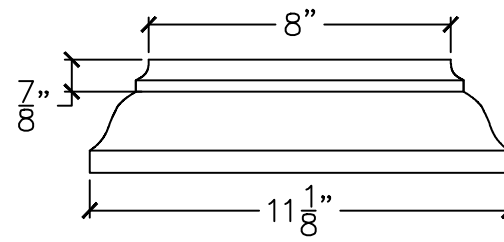
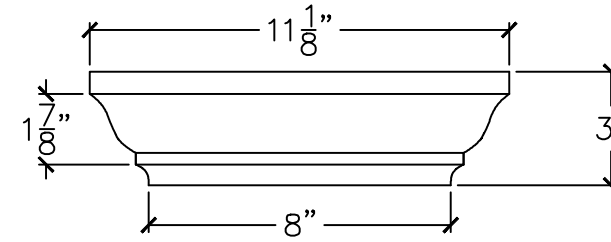
*Living with history*

2145 N. Sherman Blvd  
**THE MILWAUKEE  
PRESERVATION  
PORTFOLIO**

MILWAUKEE HISTORIC  
PRESERVATION COMMISSION  
200 E. WELLS ST.  
MILWAUKEE, WI 53202  
(414) 286-5712



All dimensions this page are to be as drawn, except that square columns and capitals can be substituted



**APPROVED**

By Tim Askin-HPC at 10:20 am, Sep 10, 2018

