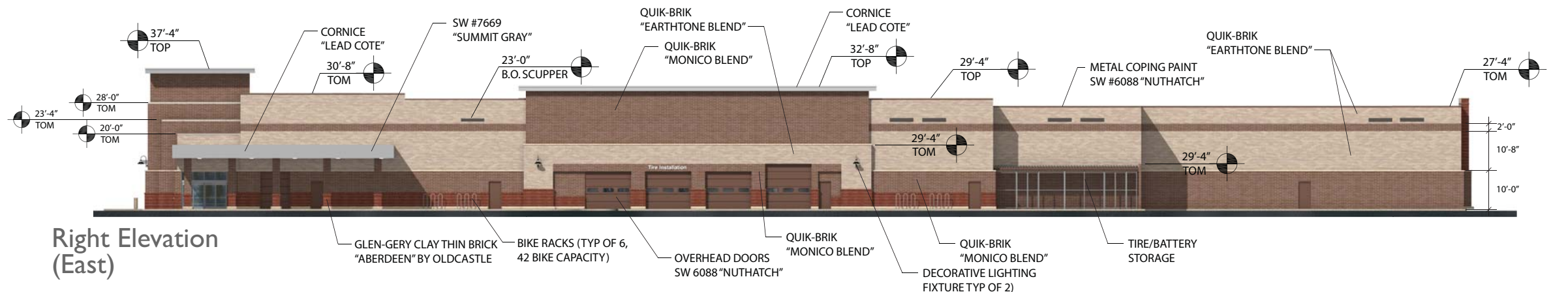


Front Elevation (South)



Rear Elevation (North)

Bale/Pallet storage and organics area to be screened with masonry walls to match building materials



Right Elevation (East)



Left Elevation (West)



Trevor
Tyson
Holcomb
Architect

July 2, 2014

Milwaukee, WI #6324

File number 140196

Elevations

1



Trevor
Tyson
Holcomb
Architect

July 2, 2014

Milwaukee, WI #6324

File number 140196

Perspectives

2



Trevor
Tyson
Holcomb
Architect

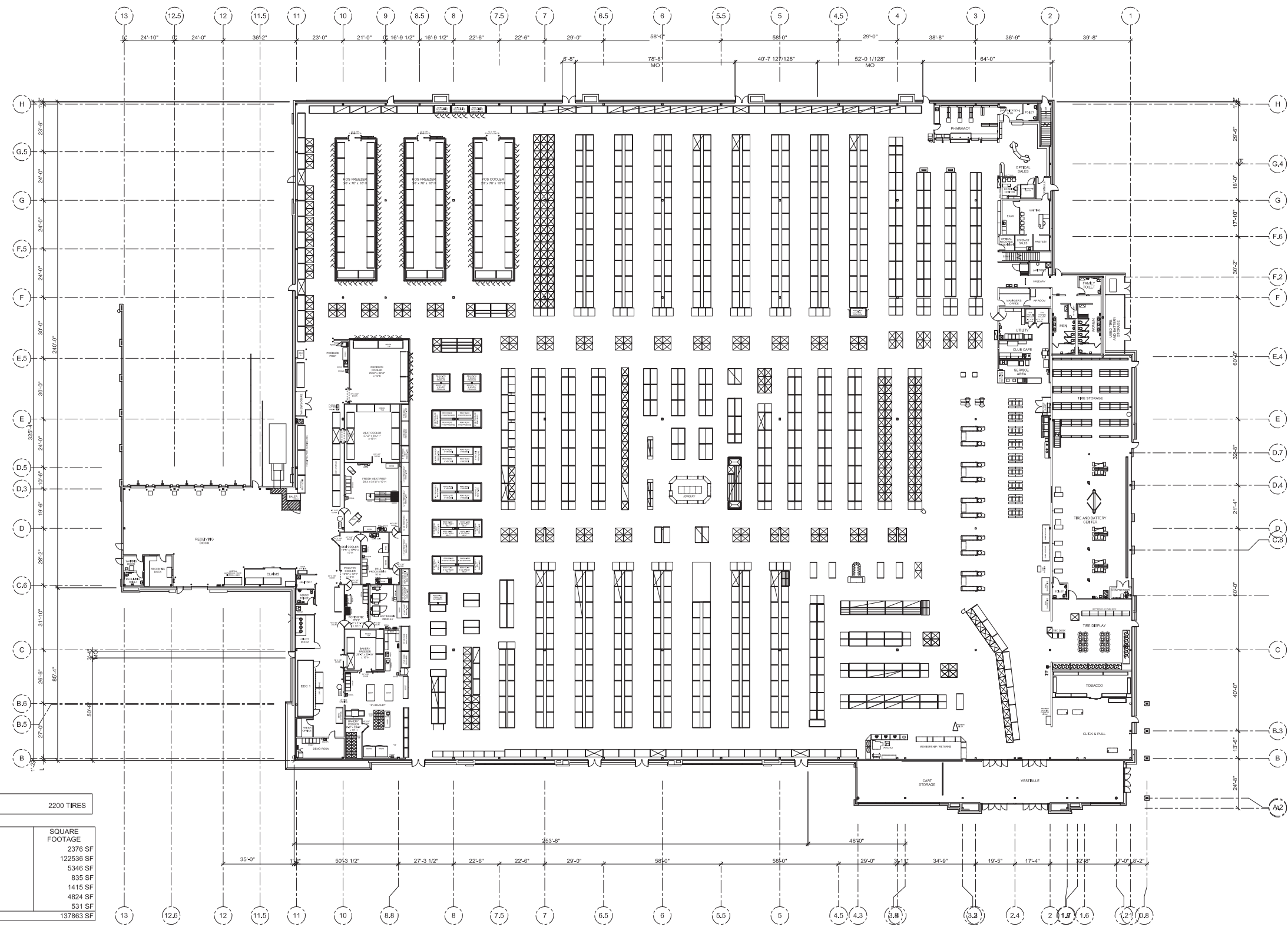
July 2, 2014

Milwaukee, WI #6324

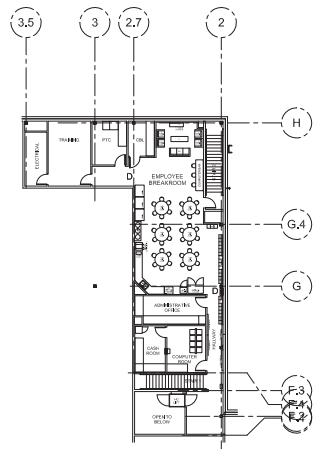
File number 140196

Perspectives

3



TBC TIRE MEZZANINE TIRE COUNT		2200 TIRES
AREA	SQUARE FOOTAGE	
BAKERY	2376 SF	
HEATED AREA SALES AND STORAGE	122536 SF	
MEAT	5346 SF	
PHARMACY	835 SF	
TIRE AND BATTERY CENTER SALES	1415 SF	
TIRE AND BATTERY CENTER SERVICE	4824 SF	
TOBACCO	531 SF	
TOTAL BUILDING HEATED AREA	137863 SF	



2 MEZZANINE PLAN
1" = 20'-0" A 2

1 FLOOR PLAN
1" = 20'-0" A 1



136 PROTO
PROTO CYCLE: 04/25/14
LBR-136-TL
ISSUED: 06/27/14



Trevor
Tyson
Holcomb
Architect

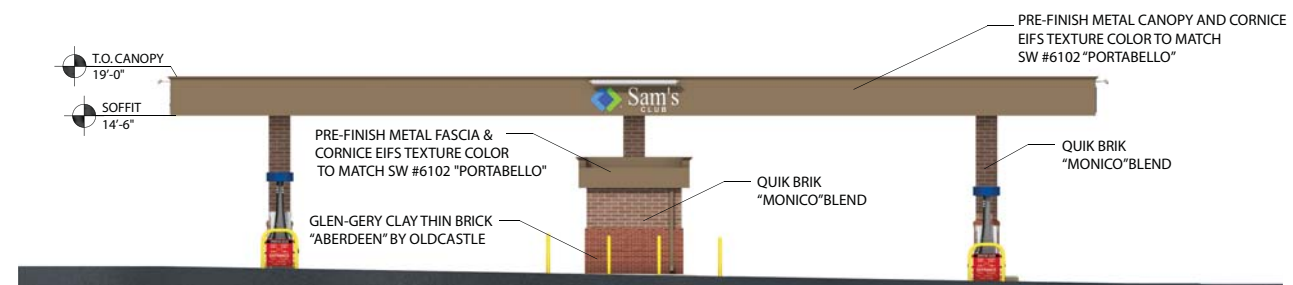
July 2, 2014

Milwaukee, WI #6324

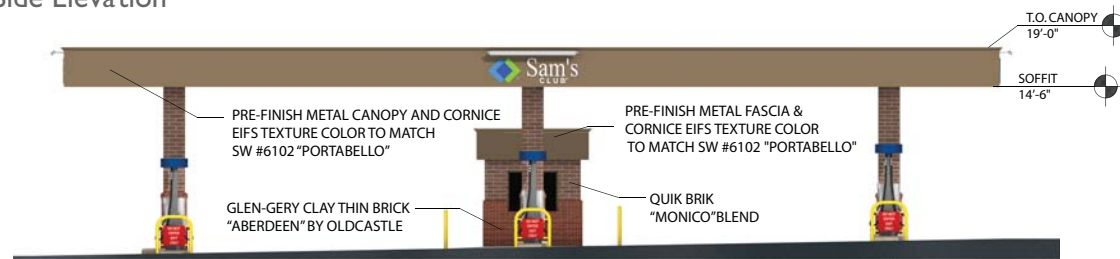
File number 140196

Floor Plan

4



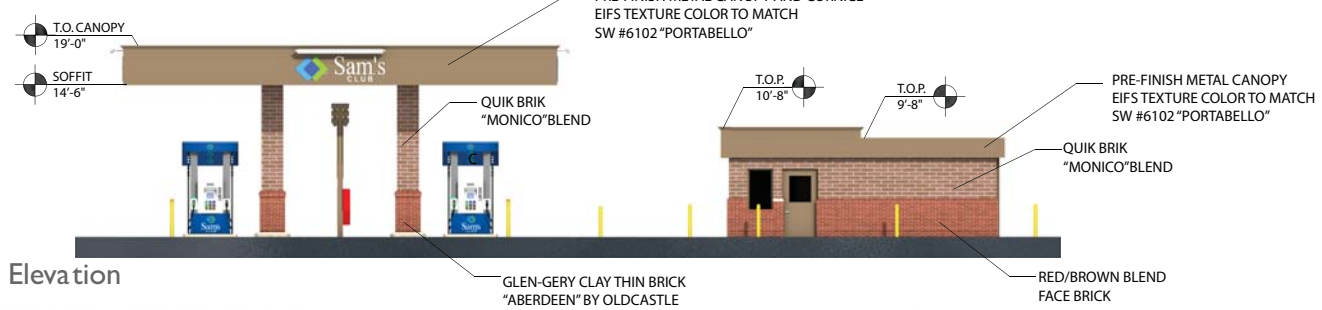
Right Side Elevation



Left Side Elevation



Back Elevation



Front Elevation



Trevor
Tyson
Holcomb
Architect

July 2, 2014

Milwaukee, WI #6324

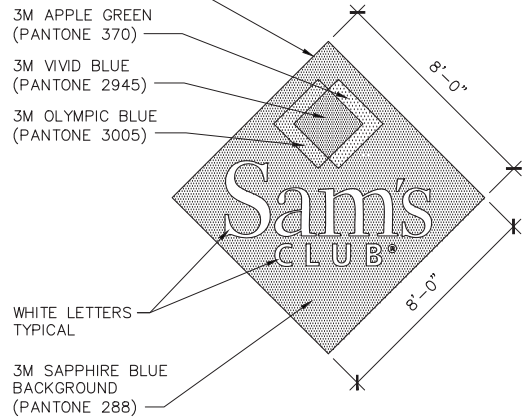
File number 140196

Fuel

5

Building Signage

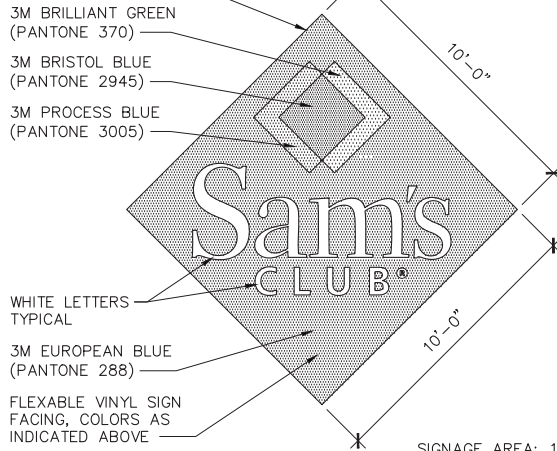
5" DEEP INTERNALLY ILLUMINATED CABINET, PAINT 3M SAPPHIRE BLUE (PANTONE 288)



SIGNAGE AREA: 64.0 SF

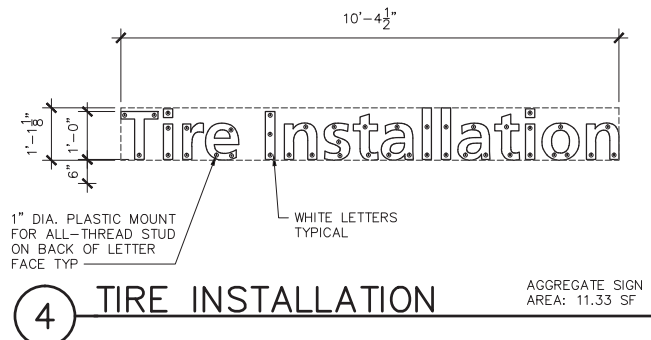
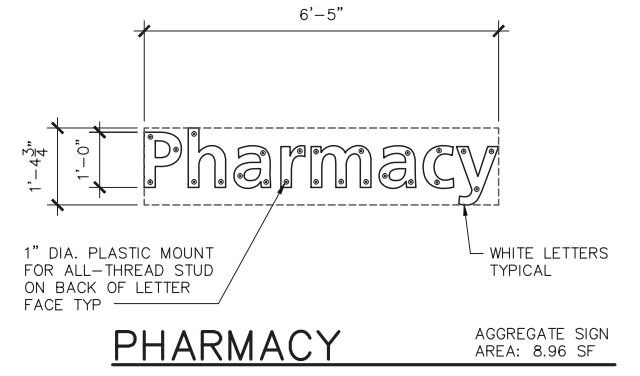
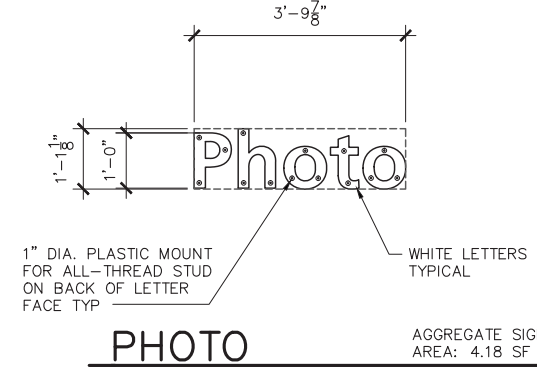
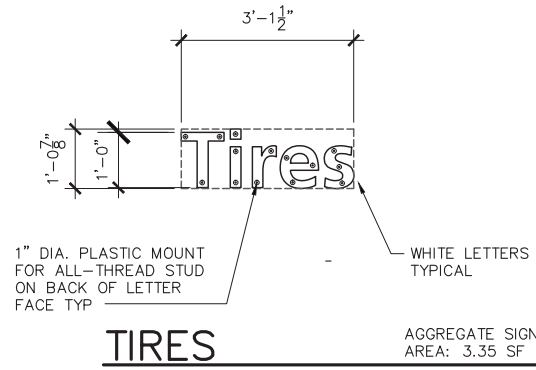
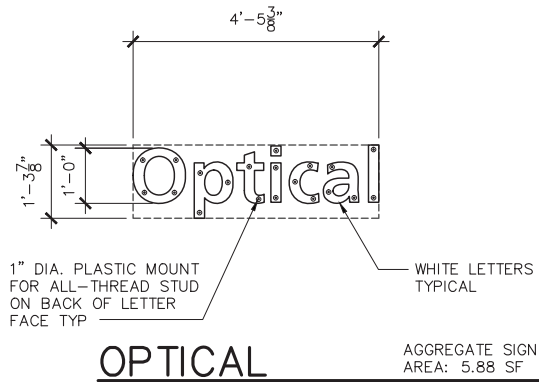
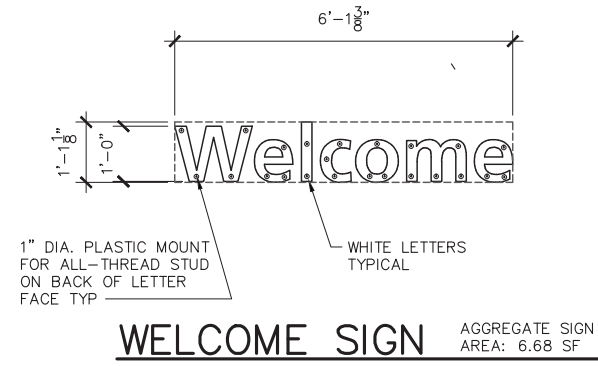
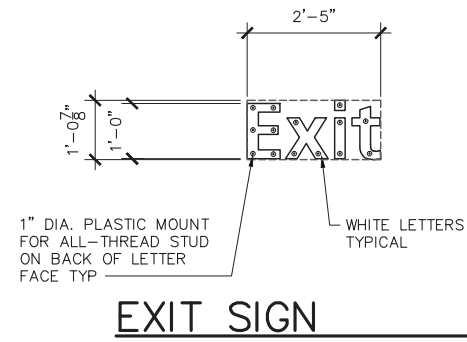
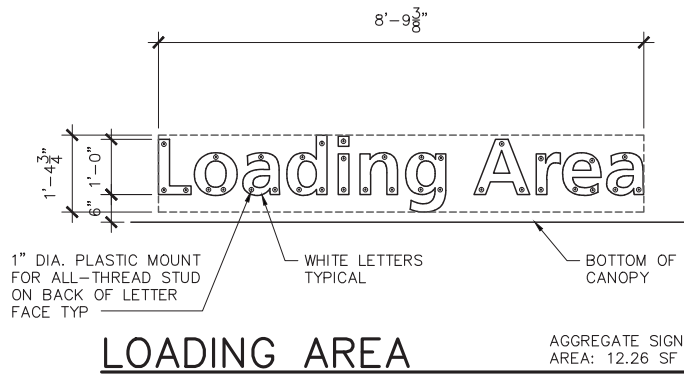
DIAMOND SIGN

5" DEEP INTERNALLY ILLUMINATED CABINET, PAINT 3M SAPPHIRE BLUE (PANTONE 288)



SIGNAGE AREA: 100.0 SF

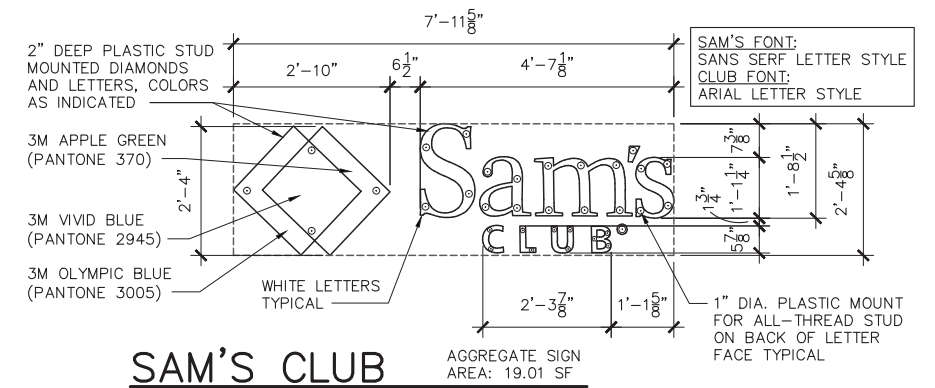
INTERNALLY ILLUMINATED DIAMOND SIGN



4 TIRE INSTALLATION

Sign	Qty	Height	Area (S.F.)	Total S.F.
Diamond Sign	1	10'-0"	100.00	100.00
Diamond Sign	3	8'-0"	64.00	192.00
Pharmacy	1	1'-0"	8.96	8.96
Optical	1	1'-0"	5.88	5.88
Photo	1	1'-0"	4.18	4.18
Tires	1	1'-0"	3.35	3.35
Loading Area	1	1'-0"	12.26	12.26
Welcome	1	1'-0"	6.68	6.68
Exit	1	1'-0"	2.59	2.59
Tire Installation	1	1'-0"	11.35	11.35
Fuel Station Canopy	4	2'-4"	19.01	76.04
Total Building Signage				423.29

Fuel Station Canopy Signage



Trevor
Tyson
Holcomb
Architect

July 2, 2014

Milwaukee, WI #6324

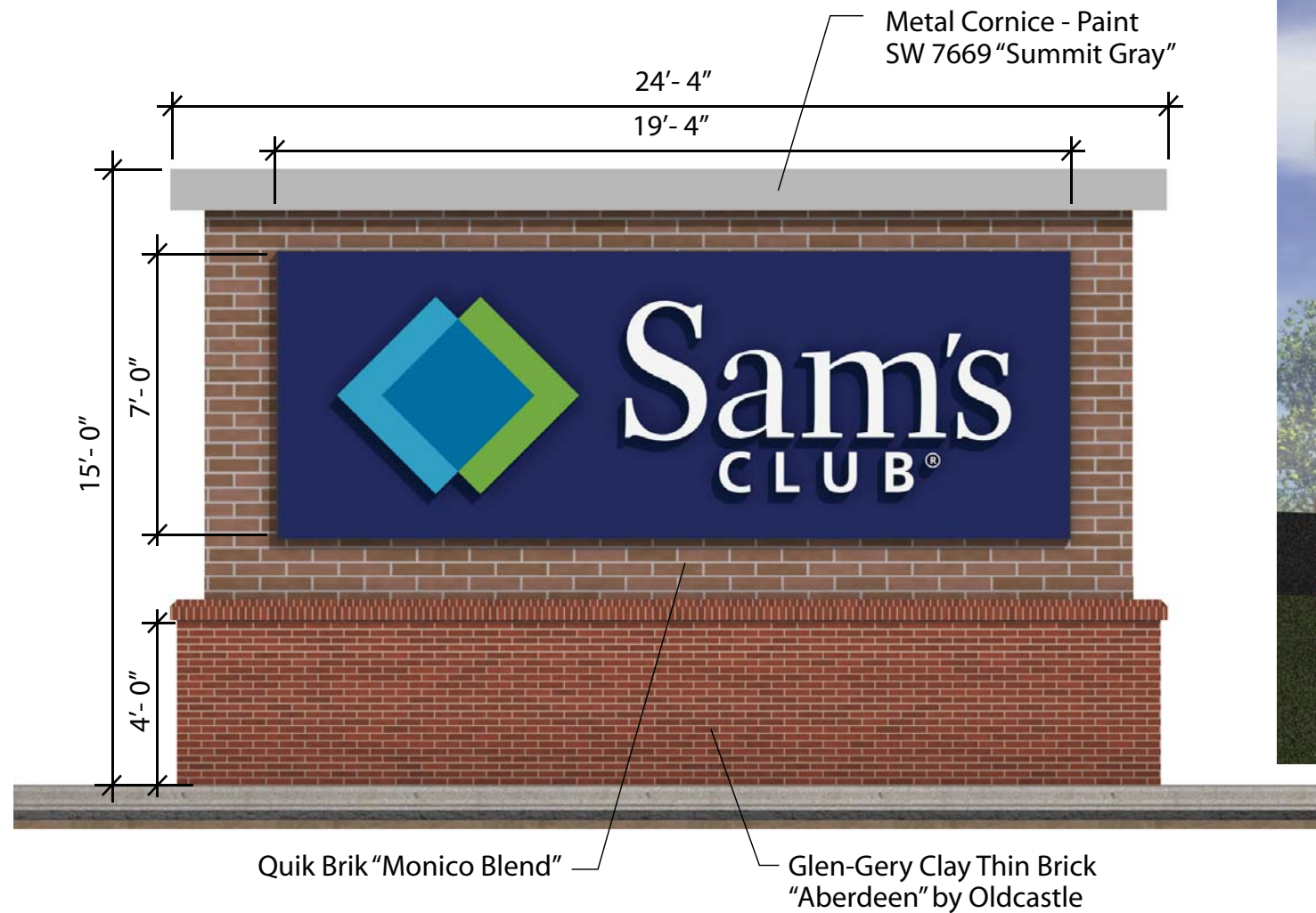
File number 140196

Sign Plan

6

PLEASE NOTE THAT ONLY INDIVIDUAL LETTERS AND SYMBOLS
MAY BE INTERNALLY ILLUMINATED

BACKGROUND CABINET TO BE OPAQUE WITH CUT OUT
LETTERS AND SYMBOLS

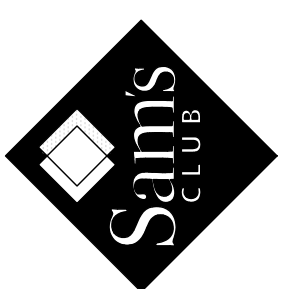


Sign	Qty.	Illumination	Area (S.F.)	Total S.F.
7' x 19'-4" Monument	2	Internal	135.33	270.66
Total Site Signage				270.66



STIPULATION FOR REUSE
 THIS DRAWING WAS PREPARED FOR USE
 FOR THE PROJECT AND SITE SPECIFIC
 CONDITIONS ONLY. IT IS NOT TO BE
 REPRODUCED OR TRANSMITTED IN ANY
 FORM OR BY ANY MEANS, ELECTRONIC
 OR MECHANICAL, INCLUDING PHOTOCOPYING,
 RECORDING, OR BY ANY INFORMATION
 STORAGE AND RETRIEVAL SYSTEM, WITHOUT
 THE WRITTEN PERMISSION OF THE ARCHITECT.
 THE USER SHALL BE SOLELY RESPONSIBLE
 FOR OBTAINING ALL NECESSARY
 PERMITS AND APPROVALS FROM THE
 APPLICABLE AGENCIES.

CONSULTANTS

MILWAUKEE, WI CLUB #6324

 JOB NUMBER: 1604002 PROTO: 110E-130-T1

ISSUE BLOCK

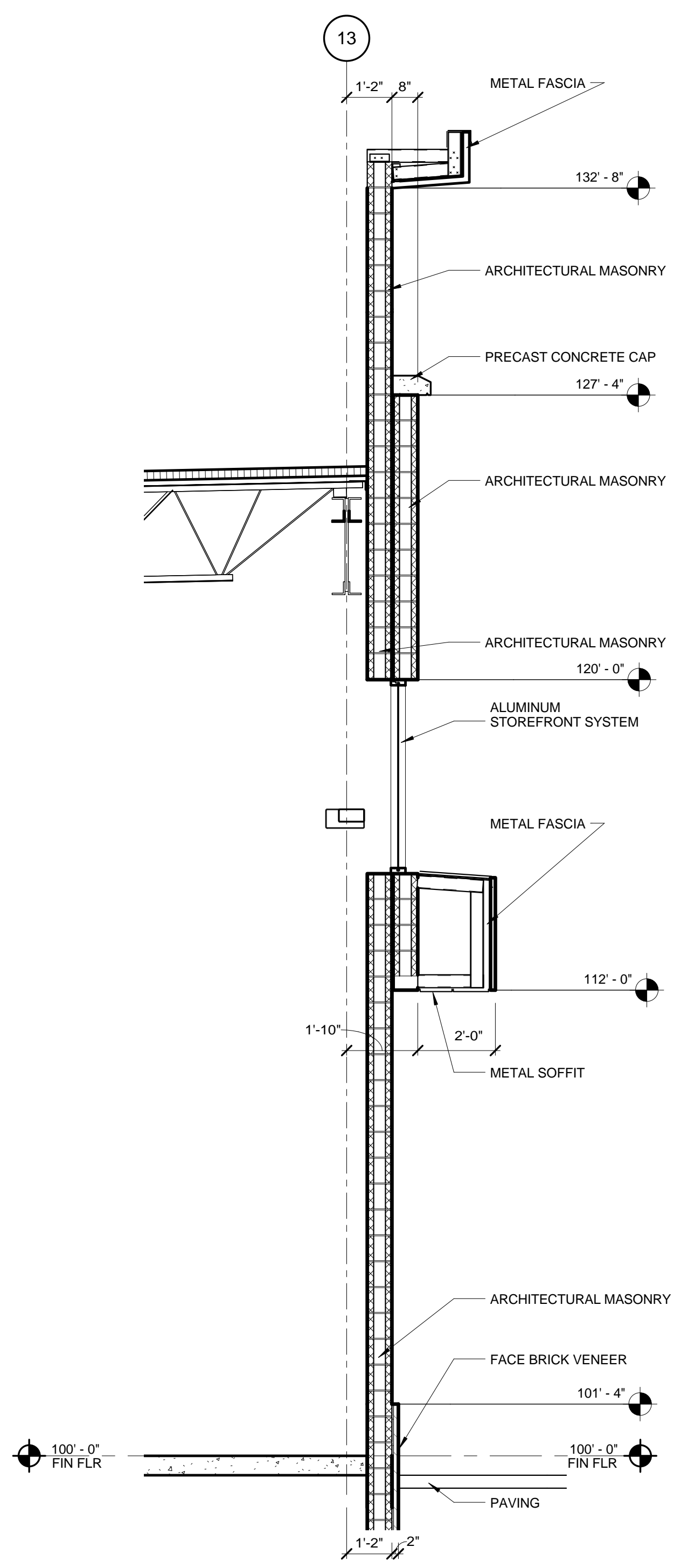
CHECKED BY: BLC
 DRAWN BY: BLC
 PROTO CYCLE: 4/25/14
 DOCUMENT DATE: 7/7/14

NOT FOR CONSTRUCTION

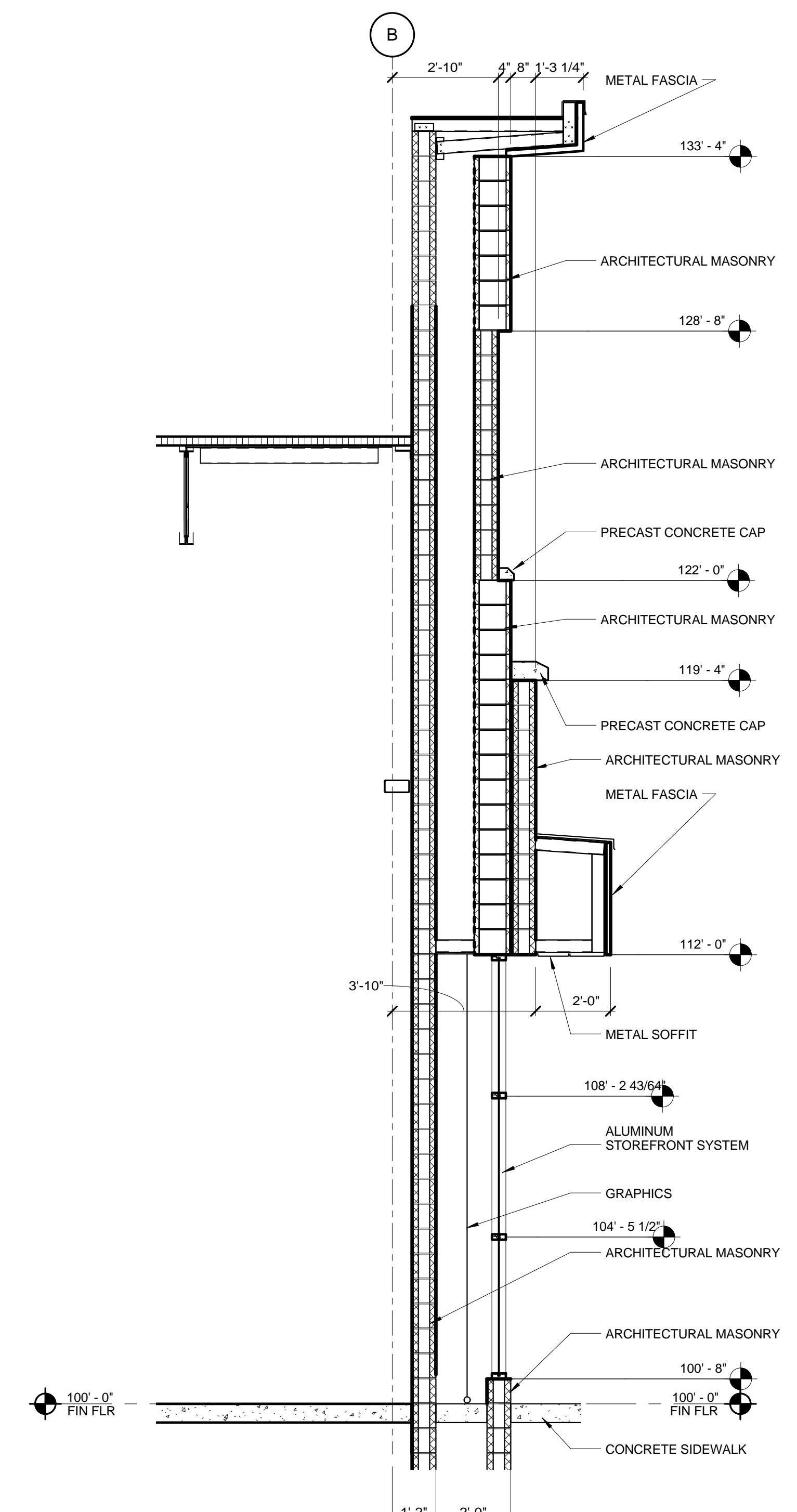
WALL SECTIONS

SHEET: A-WS

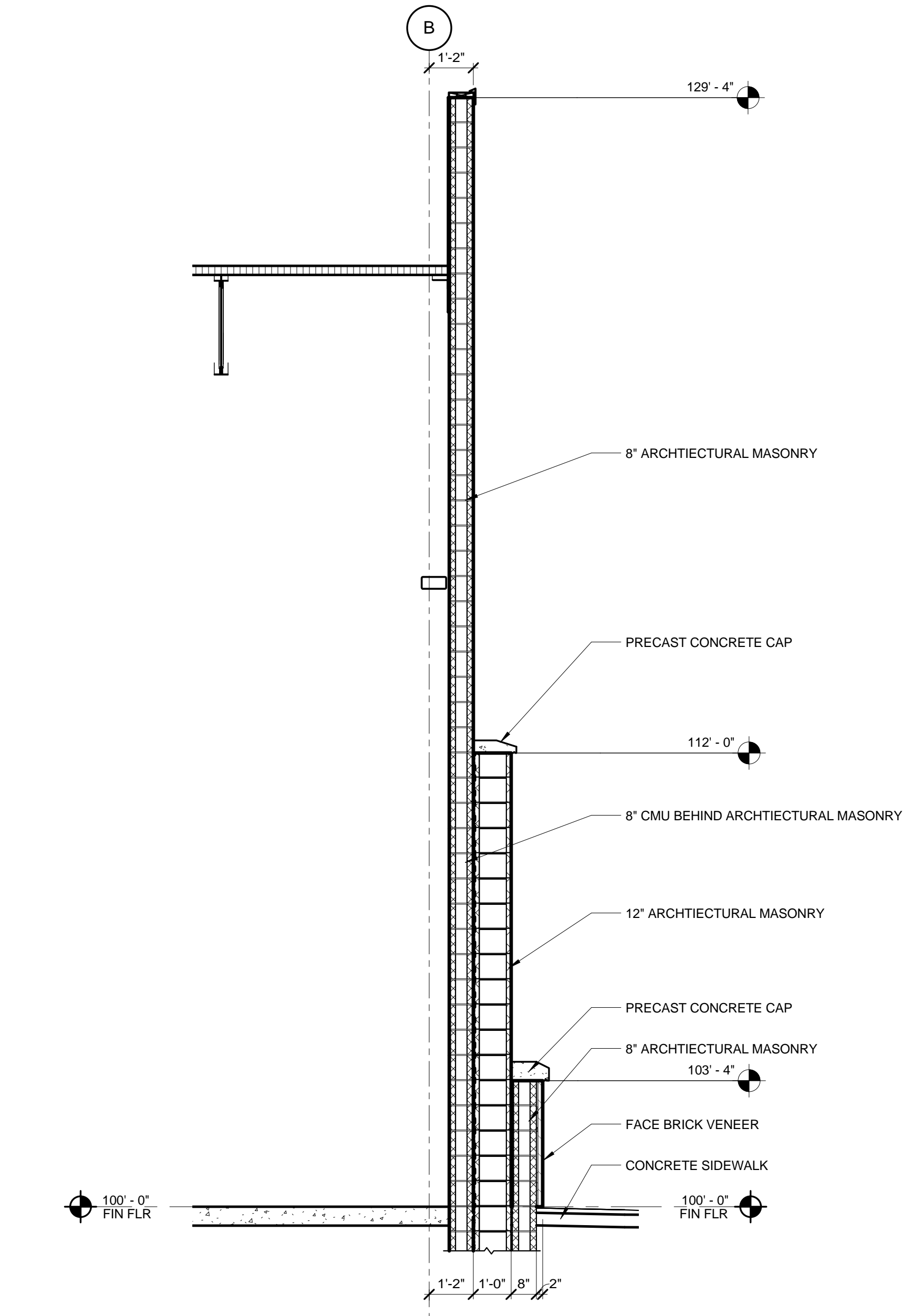
R:\04 New_Sams\Milwaukee, WI #6324 (1604002)\103-Elements\Detail A-WS.rvt



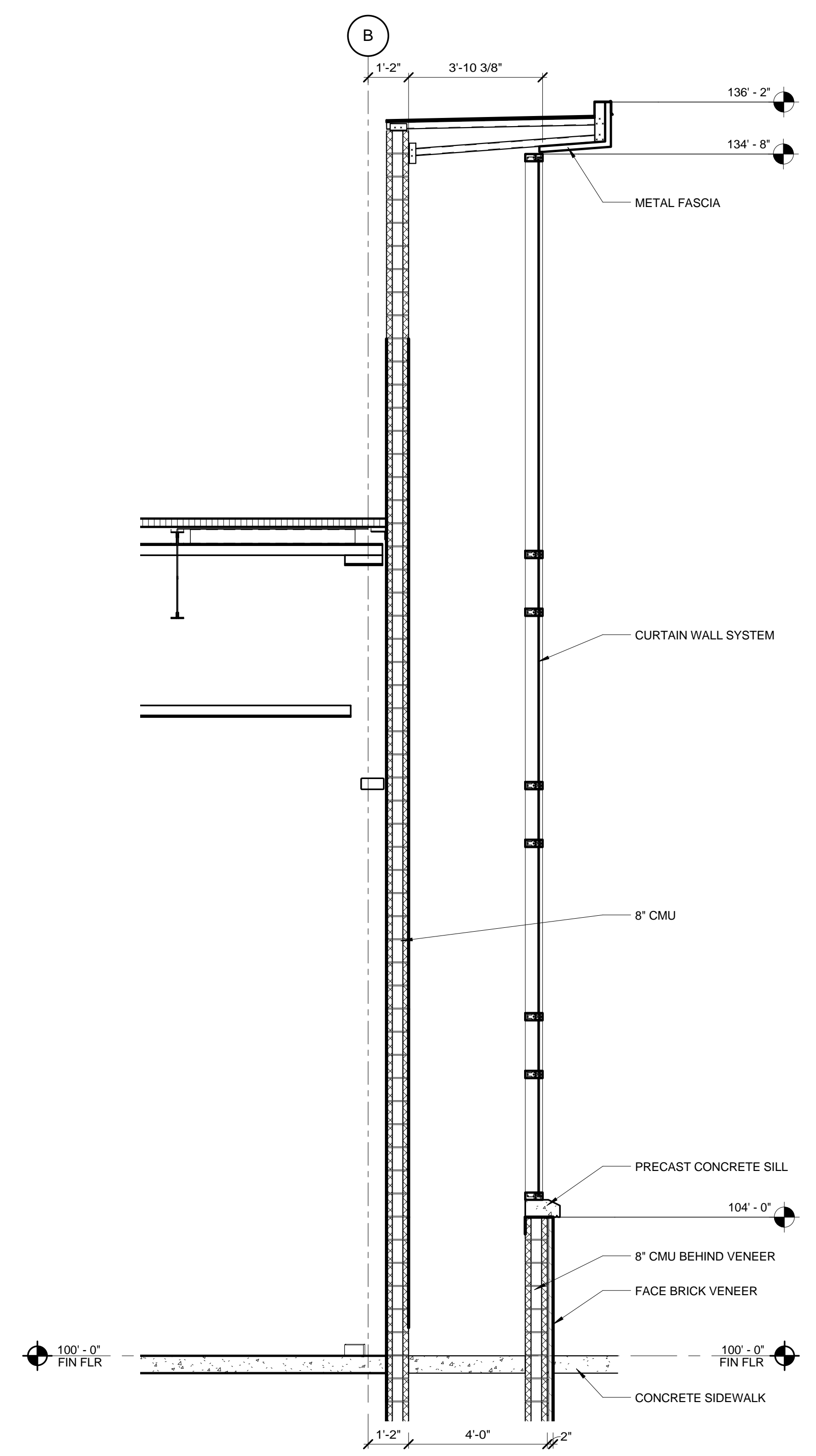
4 Section D
 3/8" = 1'-0" A-WS 4



3 Section C
 3/8" = 1'-0" A-WS 3



2 Section B
 3/8" = 1'-0" A-WS 2



1 Section A
 3/8" = 1'-0" A-WS 1