

Exhibit A
File No. 191822
Minor Modification to a Detailed Planned Development known as Ascension Columbia Saint Mary's
Parking Structure
2301 N Lake Drive Milwaukee, WI 53211
3/9/2020

Previous File History and Project Summary

In 2005, General Planned Development (GPD; FN 031746) was established for the phased development of the Columbia St. Mary's campus, generally located on the north side of East North Avenue between North Prospect Avenue and North Terrace Avenue. Subsequently, a Detailed Planned Development (DPD) was approved for the main hospital campus in 2006 as FN 050826. This DPD was modified in 2007 as FN 061212 to permit minor changes to the façade materials and design for the main hospital building, and again in 2019 as FN 181209 to allow additional site signage.

Minor Modification Summary

As part of an ongoing process to improve the appearance and functionality of the Ascension Columbia St. Mary's campus, horizontal metal panels are to be added to a portion of the main parking structure. The panels will provide shade inside the structure to prevent accidents due to vision impairment from the sun. During sunsets, especially during winter months, the sun shines directly into the structure for a portion of time, causing a difficult to navigate situation. The panels are to be placed above the entrance to the parking structure located at 2318 N Prospect Avenue. All other aspects of the DPD will remain unchanged.

List of Attachments

1. Vicinity map – Exhibit B
2. Site photos – Exhibit C-1, C-2, C-3
3. Drawings – Exhibit D
4. Rendering & Color – Exhibit E-1, E-2, E-3

Proposed Changes

- a. Add solid horizontal metal panels to the south-west elevation of the parking structure on levels 2 through 6, as shown in the drawings. Metal panels are to be 1/8" thick aluminum, painted with a Sherwin Williams Champagne Bronze to match other features on the exterior of the hospital campus. Structure supporting the panels to be a galvanized steel painted to match the metal panels.

EXHIBIT B



EXHIBIT C-1



EXIT ONLY

PARKING P GARAGE A

P

Map
Our Values
Service of the Poor
Reverence
Integrity
Wisdom
Creativity

Parking Garage A
Main Hospital Parking

EXHIBIT C-2



HOSPITAL LOADING DOCK

AMBULANCE ENTRANCE

EXIT ONLY

PARKING P GARAGE A

P

EXIT ONLY ENTER

DO NOT ENTER

EXHIBIT C-3

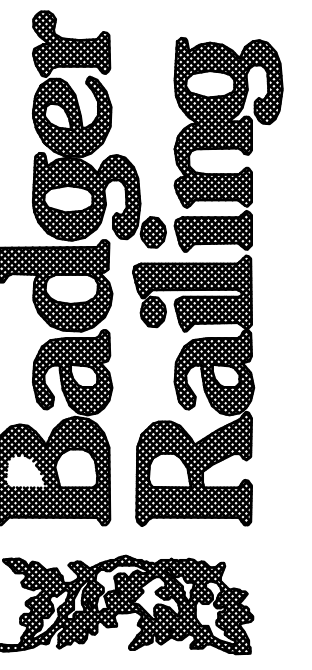
SCOPE OF METAL PANEL ADDITION



EXHIBIT D

Index	Date

BADGER RAILING
 3880 W. MILWAUKEE ROAD
 MILWAUKEE, WI 53208
 414.672.6090
 414.672.8700 (FAX)

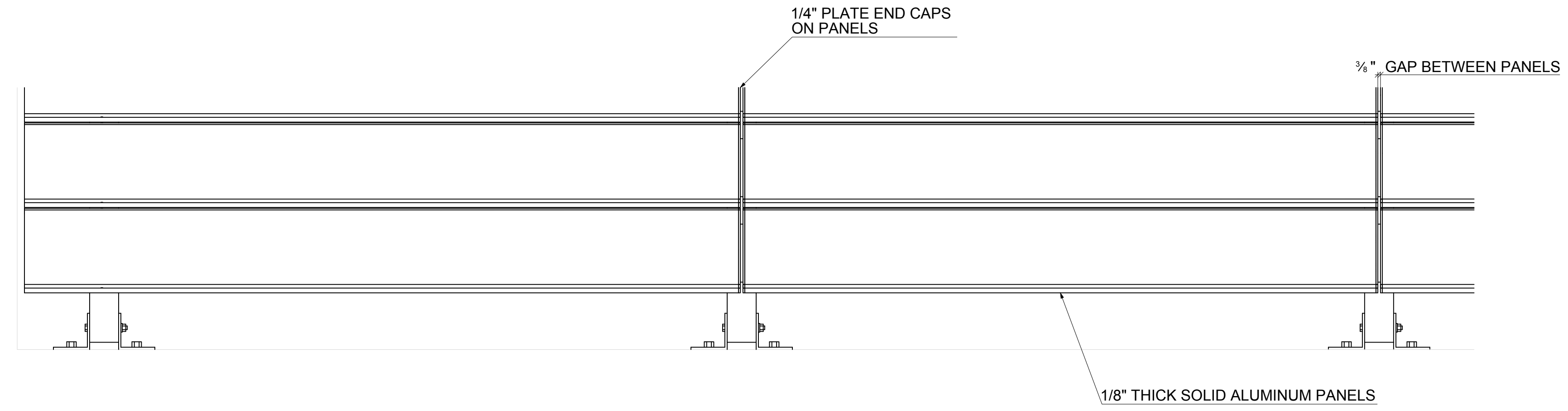
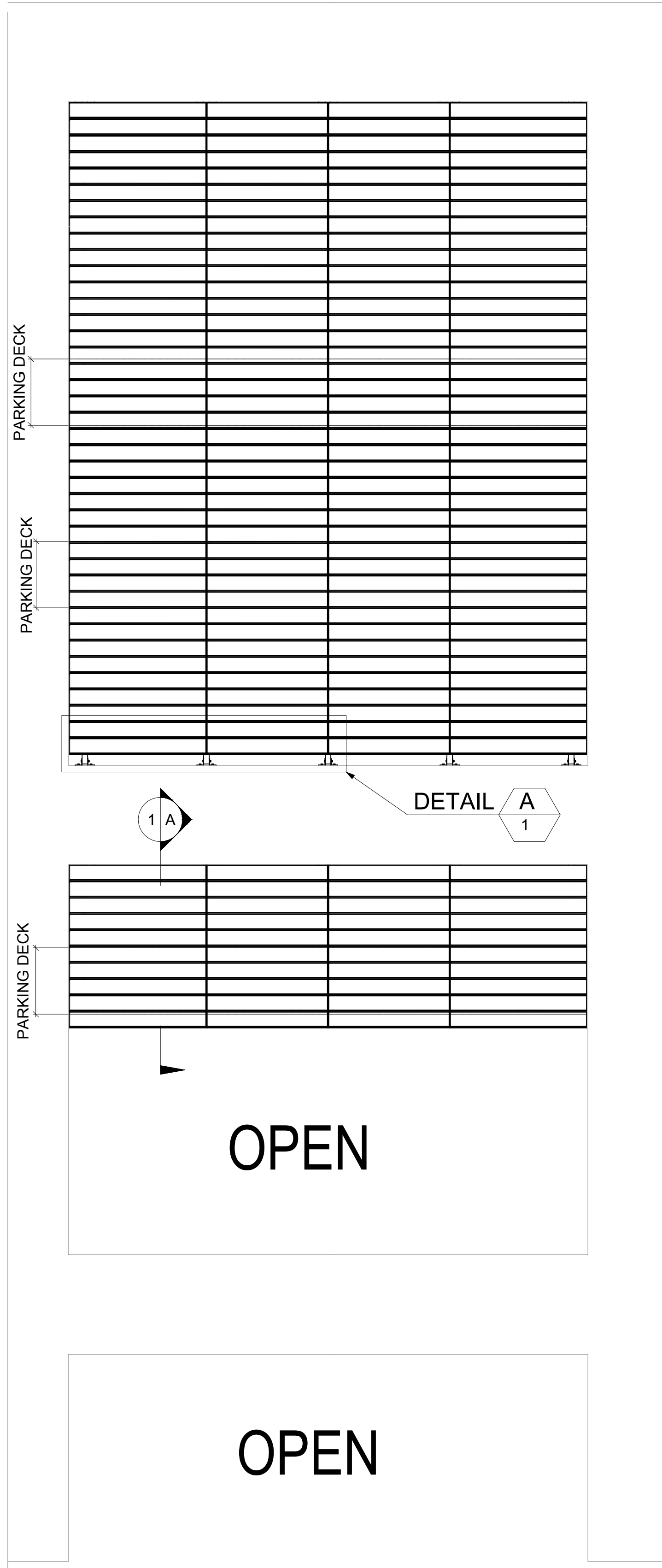


CG SCHMIDT
 Project
 CSM MAIN HOSPITAL PARKING DECK
 2301 N LAKE DR. MILWAUKEE, WI

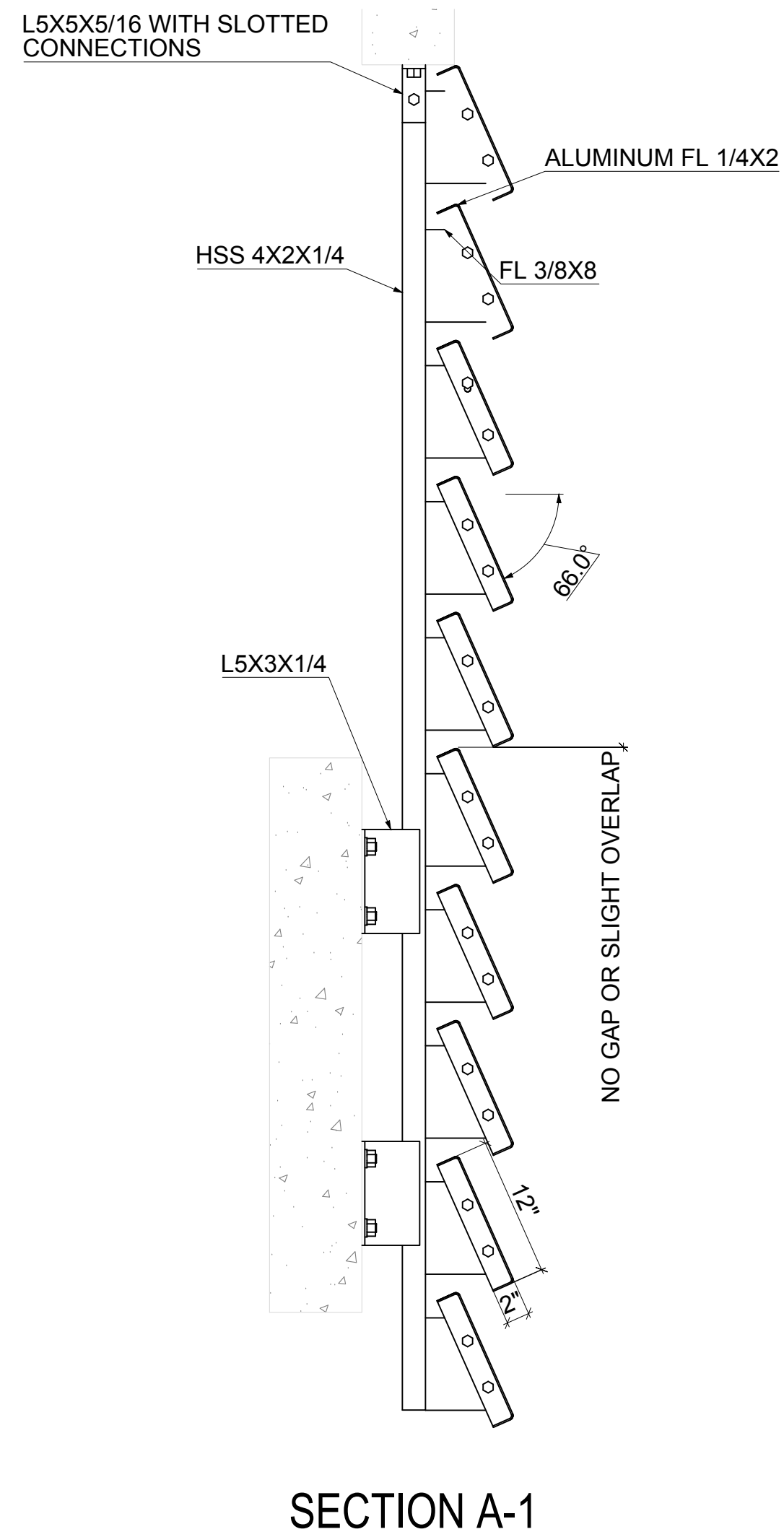
Customer

Project

Job No	10829
Date	1/7/2020
Drawn	TJM
Sheet	HORIZ OPTION



A DETAIL
 1 Scale: 1"=1'-0"



STEEL FINISH	ALUMINUM FINISH (PANELS & BORDER)
HOT DIP GALVANIZED	EPOXY PRIMER
GARNET BLAST	VALSPAR CHAMPAGNE GOLD
EPOXY PRIMER	SHERWIN WILLIAMS CHAMPAGNE BRONZE
VALSPAR CHAMPAGNE GOLD	
SHERWIN WILLIAMS CHAMPAGNE BRONZE	

STATUS:
 SHOP PAINT:

EXHIBIT E-1



Columbia St. Mary's Hospital - Perforated Solid Panel

EXHIBIT E-2



Columbia St. Mary's Hospital - Perforated Solid Panel

EXHIBIT E-3



**CHAMPAGNE BRONZE - 399X493 EXTRUSION
SHERWIN WILLIAMS FLUROPON COATINGS**