

1 NORTH ELEVATION  
 3/32" = 1'-0"  
 0 4 8 16 32











1 WEST ELEVATION (CAMBRIDGE AVE)

3/32" = 1'-0"







Kahler Slater

A41

BUILDING PERSPECTIVE

DPD SUBMITTAL | KAHLER SLATER | COPYRIGHT 2023 | ALL RIGHTS RESERVED | 02.22.23





Kahler Slater

A42

BUILDING PERSPECTIVE

DPD SUBMITTAL | KAHLER SLATER | COPYRIGHT 2023 | ALL RIGHTS RESERVED | 02.22.23





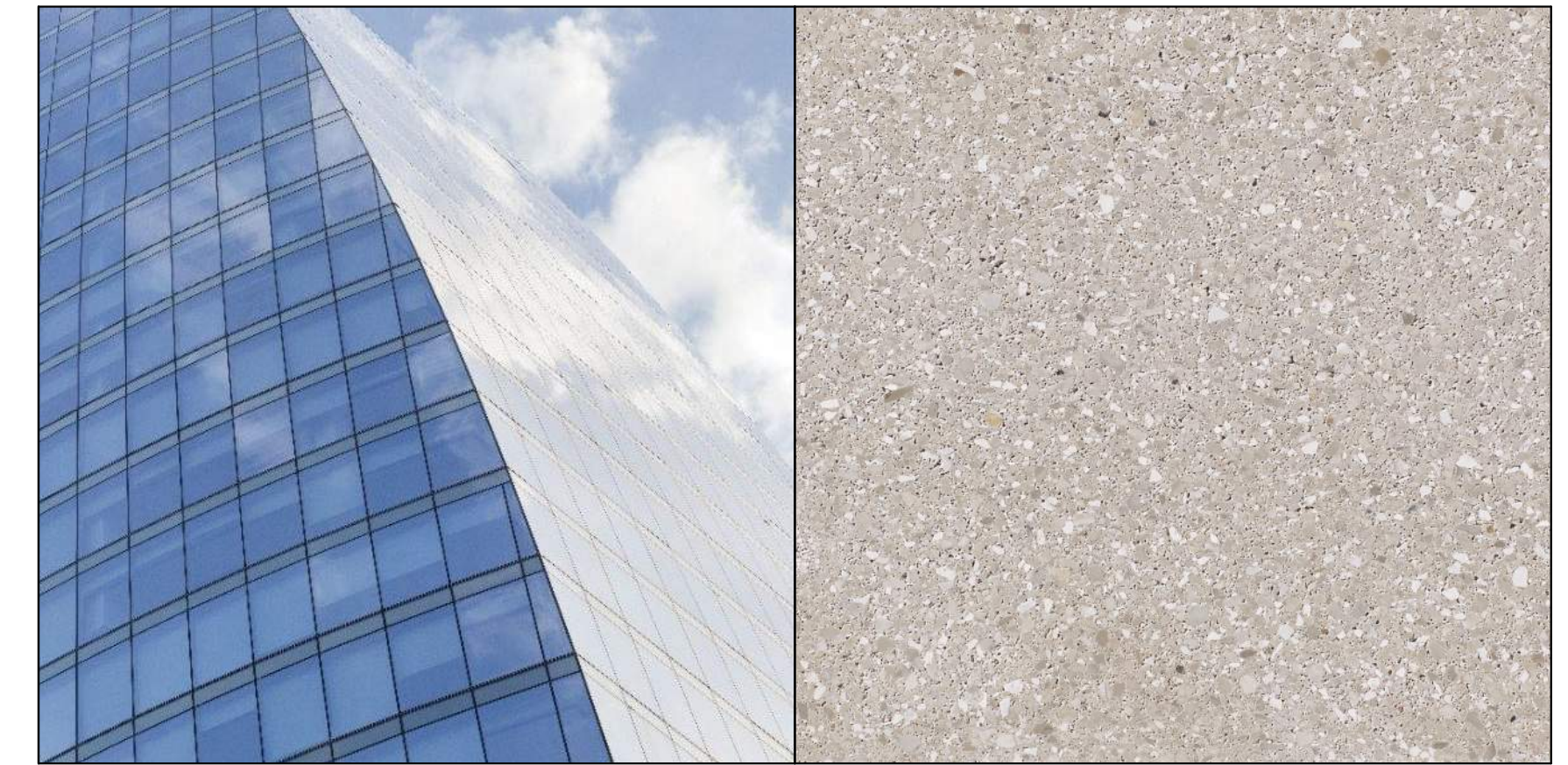
**Kahler Slater**

**A43**

**BUILDING PERSPECTIVE**

DPD SUBMITTAL | KAHLER SLATER | COPYRIGHT 2023 | ALL RIGHTS RESERVED | 02.22.23





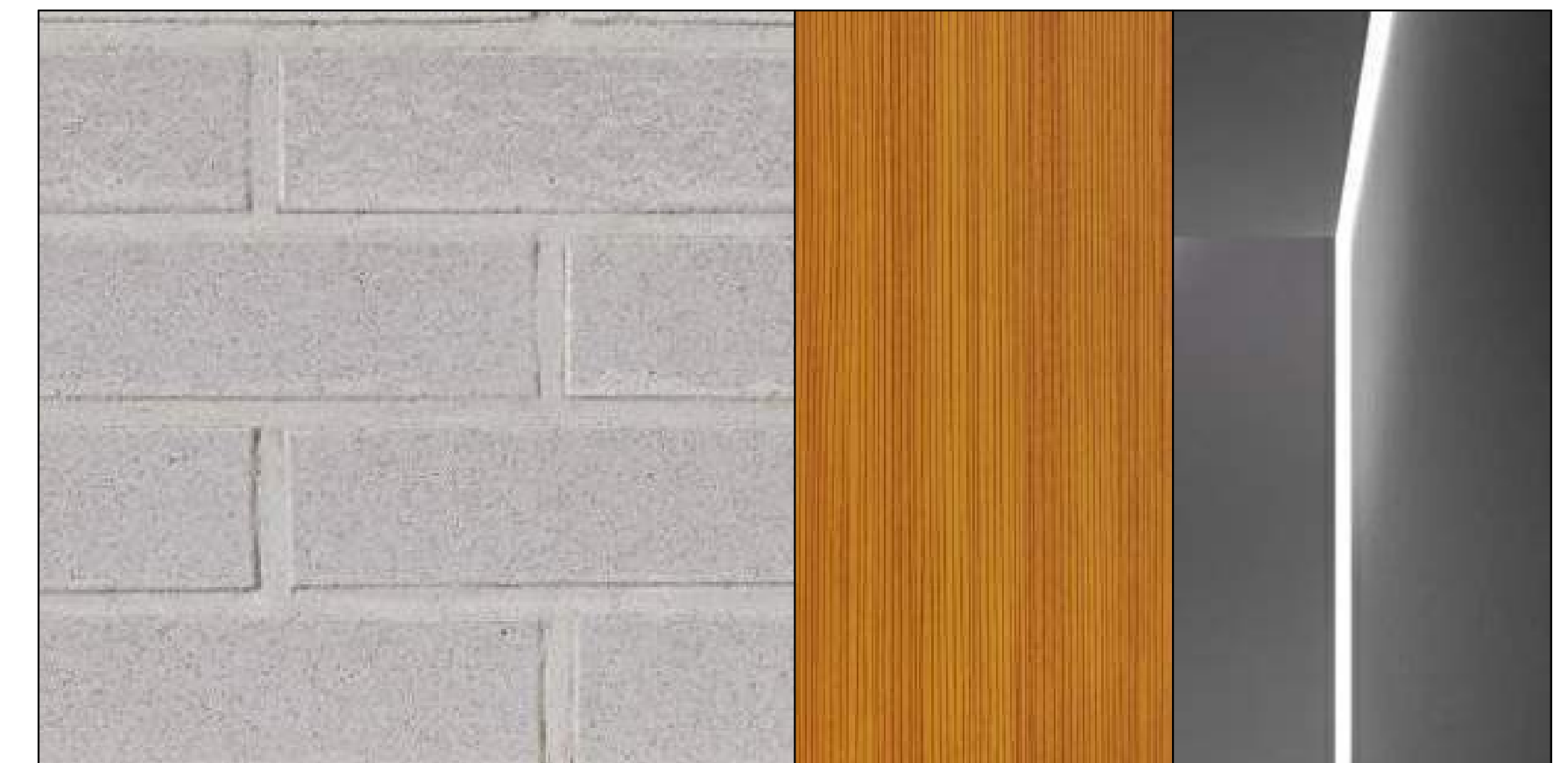
1: VISION AND SPANDREL GLASS  
B.O.D. GUARDIAN SNR 43

10: MASONRY SCREEN WALL  
B.O.D. COUNTY MATERIALS PREMIER ULTRA BURNISHED MASONRY UNIT



2: METAL PANEL  
B.O.D. LONGBOARD (CHARCOAL)

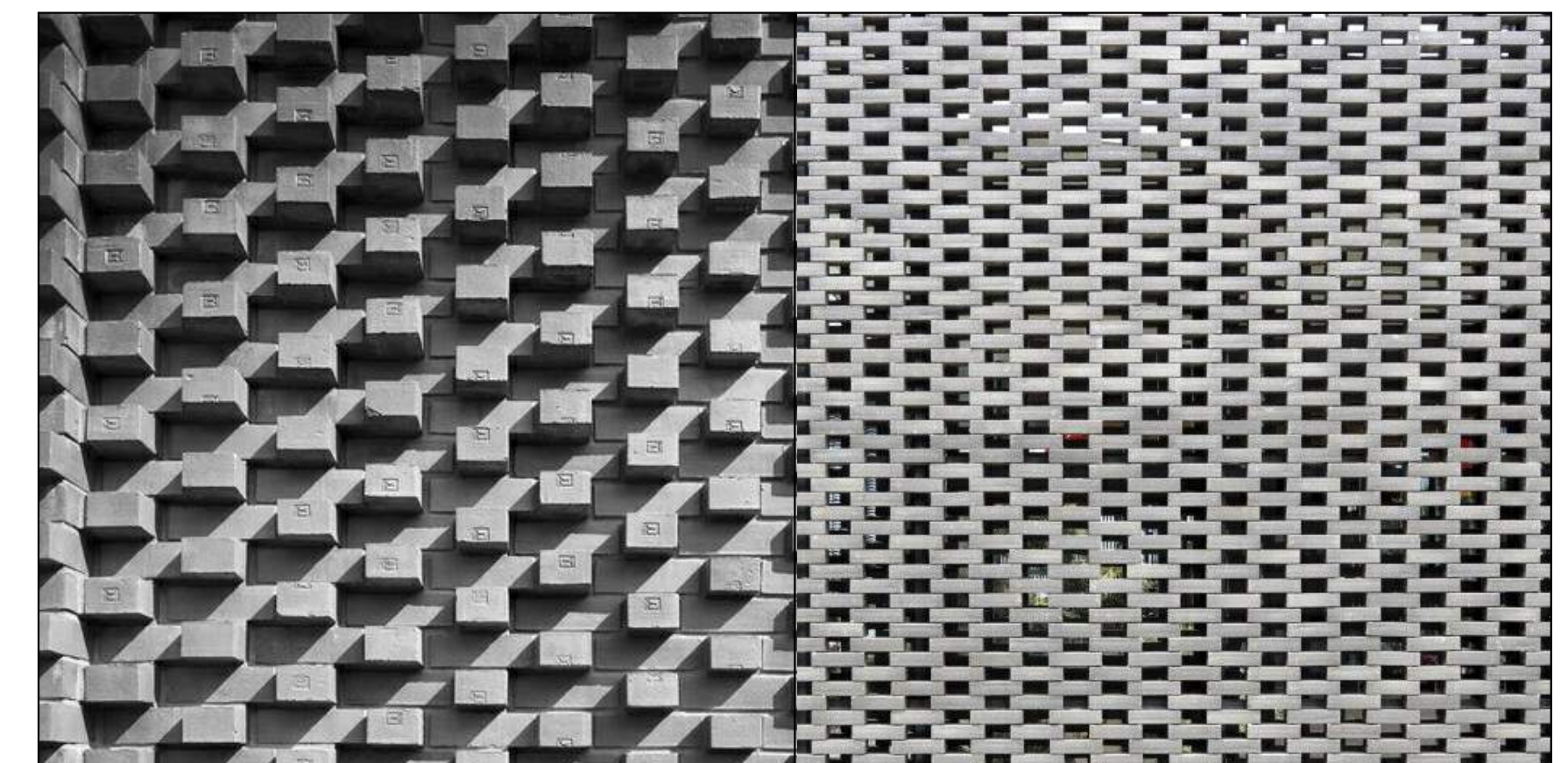
3: MASONRY BASE @ GRADE  
B.O.D. EDWARDS CAST STONE (CUSTOM COLOR)



4: MODULAR BRICK  
B.O.D. BELDEN (SALT CREEK GLAZE)

5: METAL PANEL  
B.O.D. LONGBOARD (DARK FIR)

6: FACADE LIGHTING  
SEE LIGHTING SUBMITTAL



7: BRICK FEATURE, FLOORS 3 - 10

8: BRICK SCREEN, FLOORS 1 + 2

**A44**

**BUILDING MATERIALS**





Kahler Slater

A45

BUILDING PERSPECTIVE

DPD SUBMITTAL | KAHLER SLATER | COPYRIGHT 2023 | ALL RIGHTS RESERVED | 02.22.23





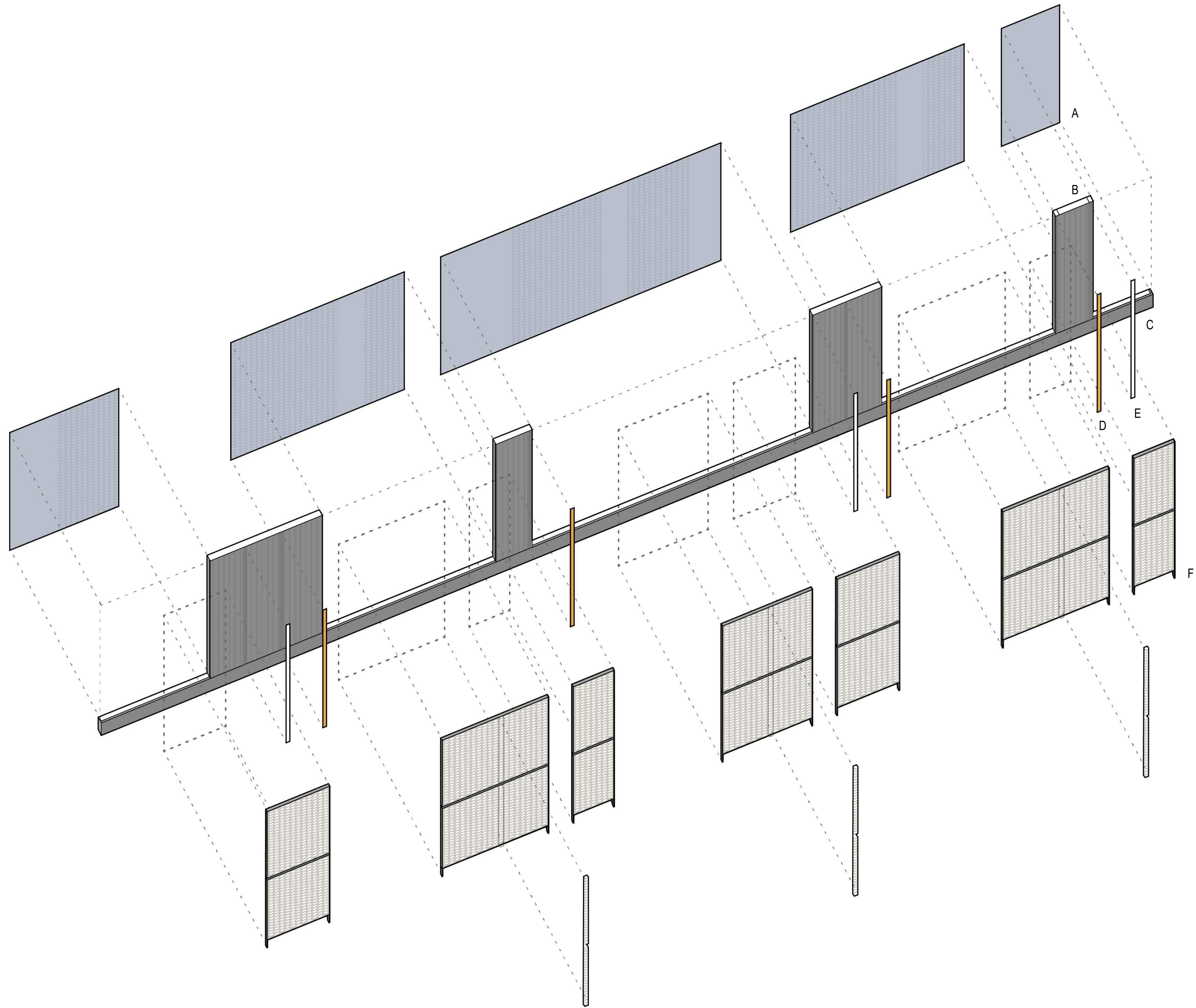
Kahler Slater

A46

BUILDING PERSPECTIVE

DPD SUBMITTAL | KAHLER SLATER | COPYRIGHT 2023 | ALL RIGHTS RESERVED | 02.22.23

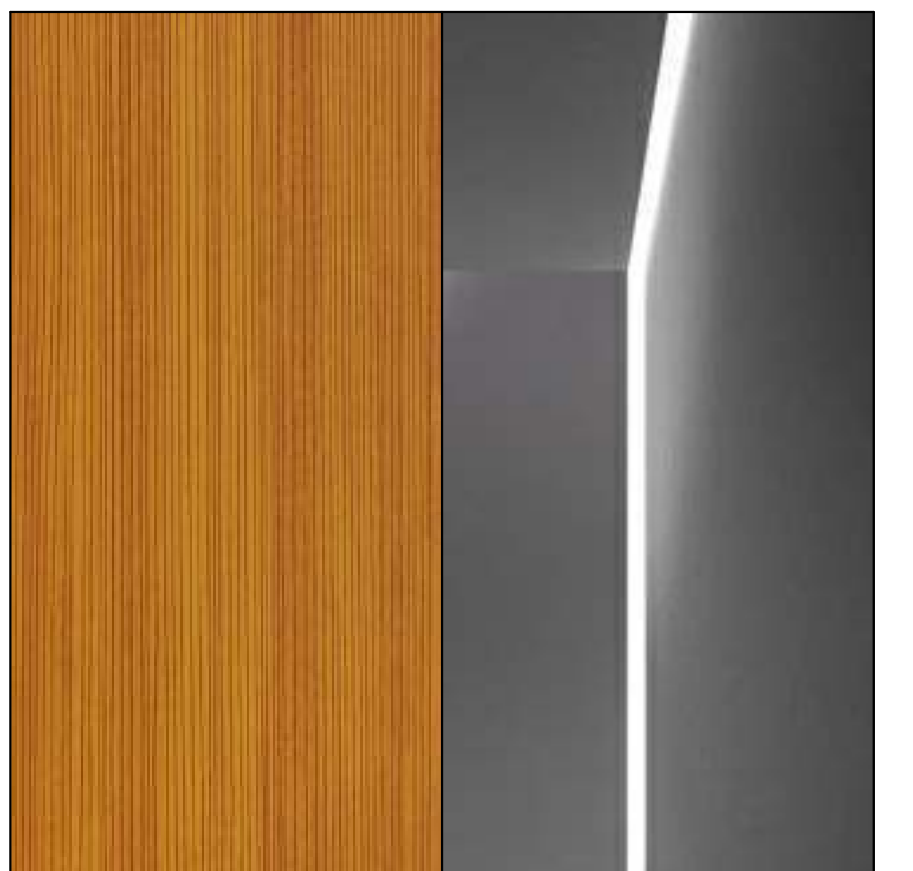




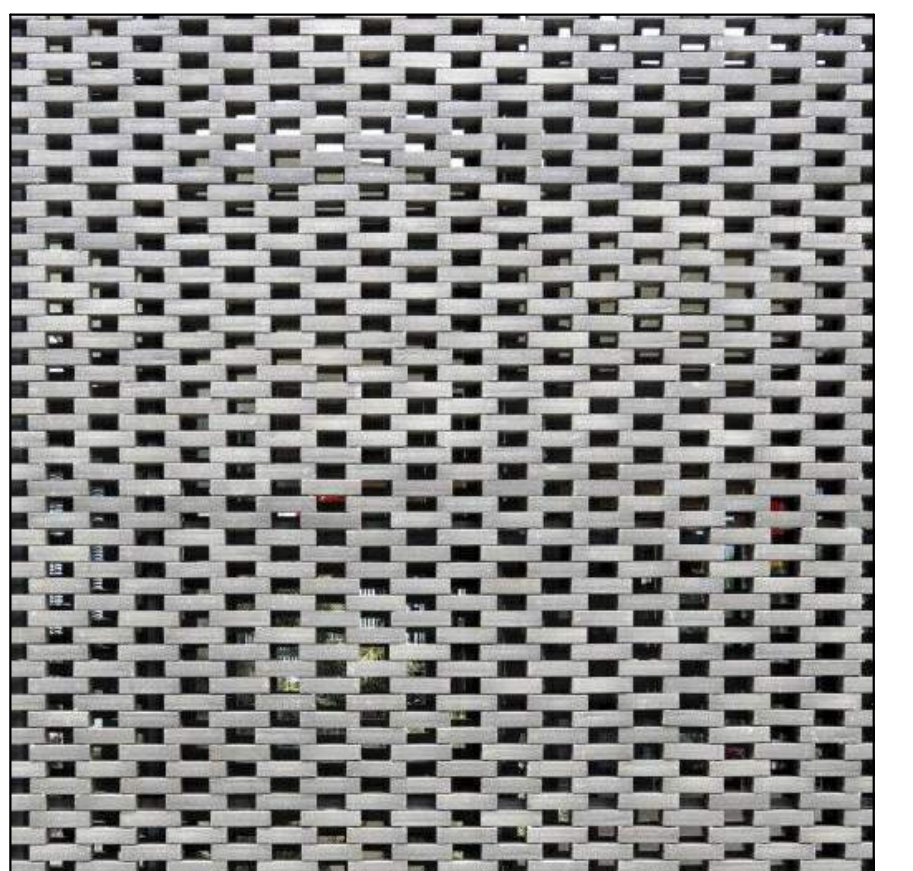
A: VISION GLASS



B: METAL PANEL C: MASONRY BASE



D: METAL PANEL E: FACADE LIGHTING



F: BRICK SCREEN, FLOORS 1 + 2

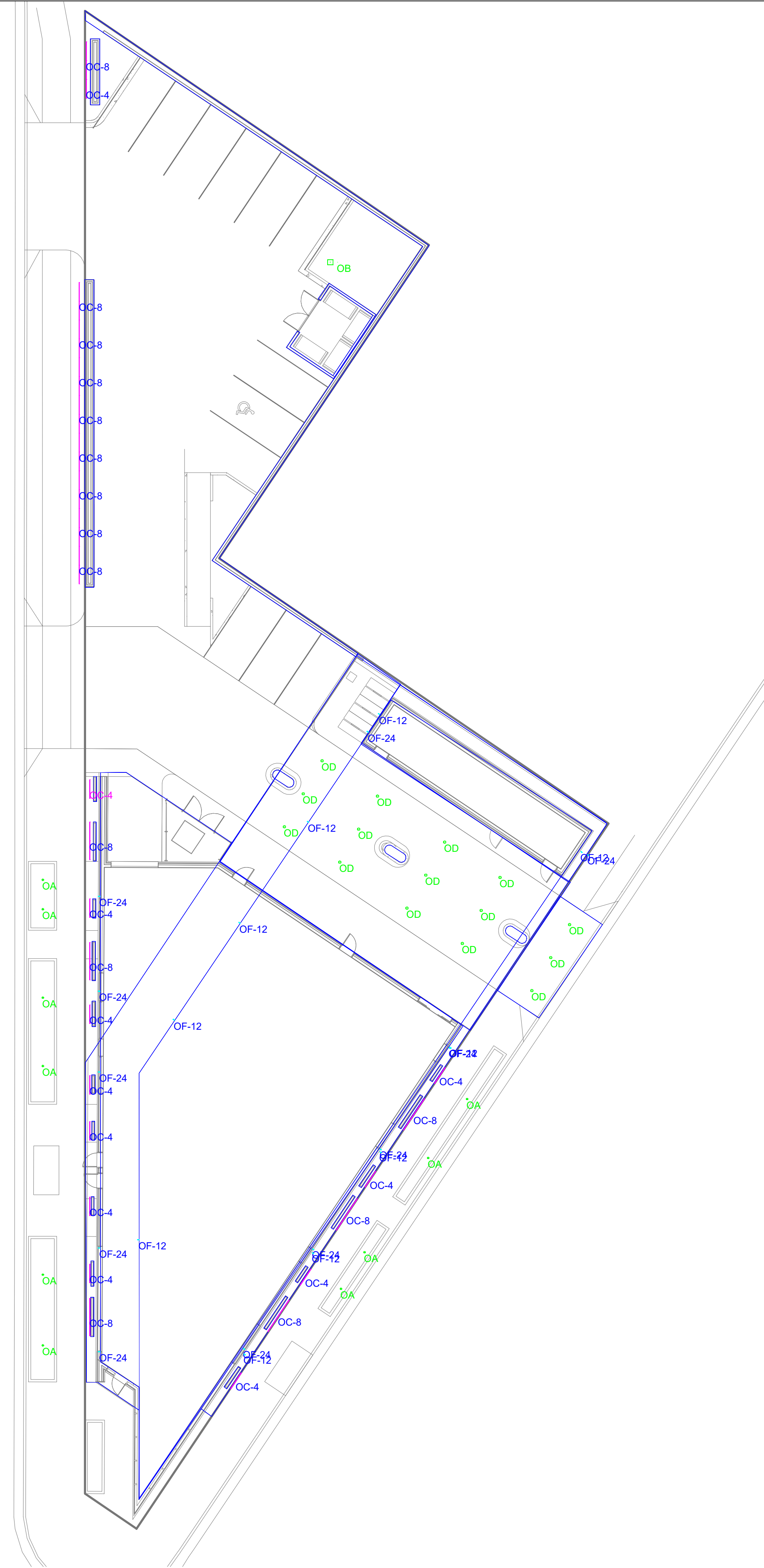
**A47**

**BRICK SCREEN AXONOMETRIC**



Luminaire Schedule								
Label	Qty	Arrangement	LLF	Tag	Description	Lum. Watts	Total Watts	Lum. Lumens
OA	10	SINGLE	0.950	TARGETTI	KPLM41HEMFL2xx	13.5	135	1420
OB	1	SINGLE	0.950	LITHONIA	DSX1 LED P2 xxK 80CRI T4M HS	67.7927	67.7927	7820
OC-4	12	SINGLE	0.950	LUMENPULSE	LOI HO-120-12-xxK-8x8-TS0-XX-XX-XX	5	60	316
OC-8	15	GROUP	0.950	LUMENPULSE	LOI HO-120-12-xxK-8x8-TS0-XX-XX-XX	N.A.	150	N.A.
OD	15	SINGLE	0.950	GOTHAM	EVO6 xx_20 AR MD LSS	19.7	295.5	1995
OF-12	10	GROUP	0.950	DADO LTG	EHL40-X-1-W-R-S-X-X-X	N.A.	150	N.A.
OF-24	11	GROUP	0.950	DADO LTG	OL40-8E-xx-1-PCW-R-288-XXX-XXX	N.A.	330	N.A.

Calculation Summary							
Label	CalcType	Units	Avg	Max	Min	Avg/Min	Max/Min
SITE	Illuminance	Fc	0.46	15.62	0.00	N.A.	N.A.



COMMENTS

DATE

#

REVISIONS

DRAWN BY : LB

DATE : FEB 06, 2023

SCALE : 1/16" = 1'-0"

BRADY STREET HOTEL

MILWAUKEE, WISCONSIN

SHEET NUMBER:

SITE LIGHTING PLAN

ES101





COMMENTS

DATE

#

REVISIONS

DRAWN BY : LB

DATE : FEB 06, 2023

SCALE : 1/16" = 1'-0"

BRADY STREET HOTEL

MILWAUKEE, WISCONSIN

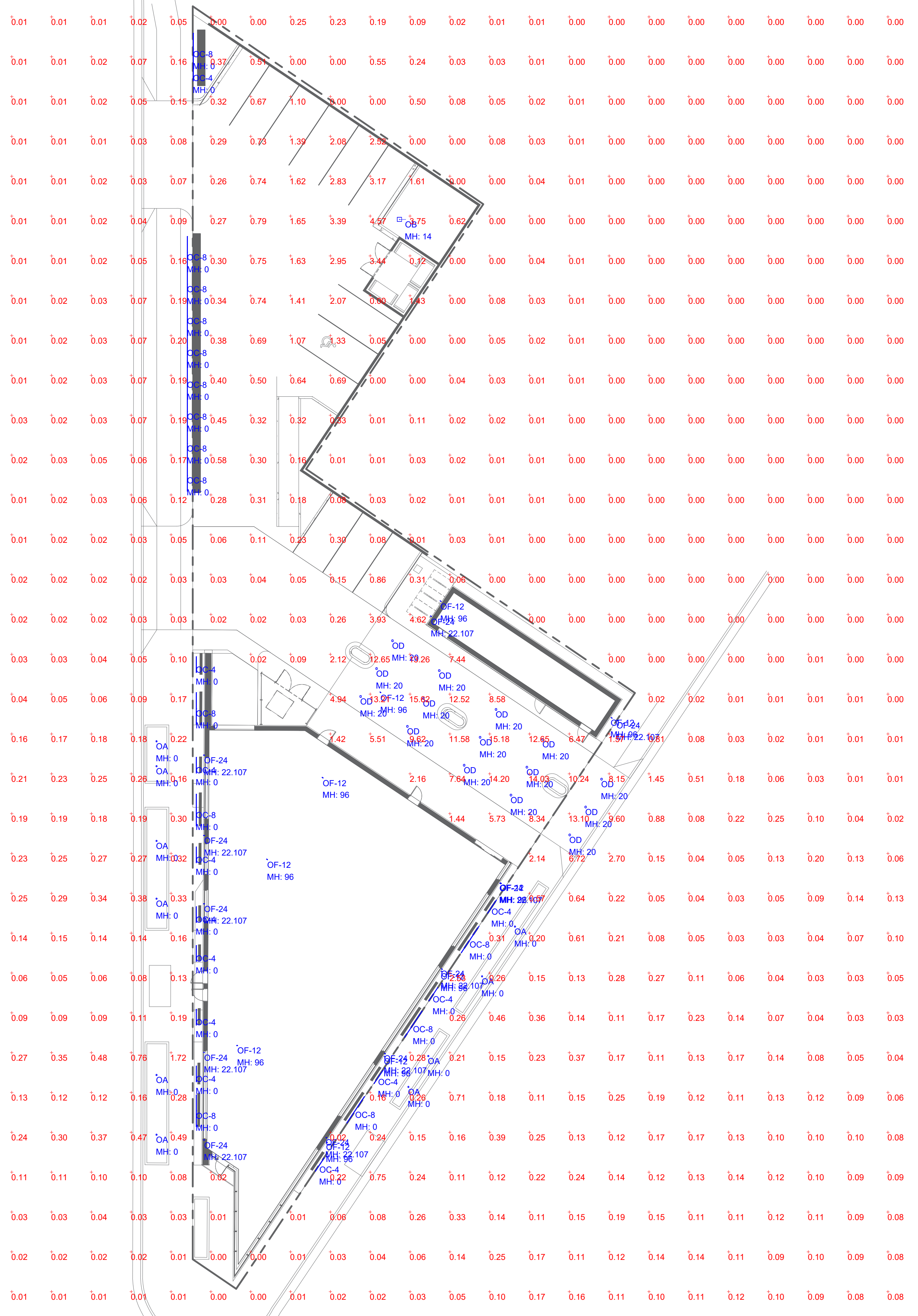
SITE LIGHTING  
PHOTOMETRIC

ES102

SHEET NUMBER:

Luminaire Schedule								
Label	Qty	Arrangement	LLF	Tag	Description	Lum. Watts	Total Watts	Lum. Lumens
OA	10	SINGLE	0.950	TARGETTI	KPLM41HEMFL2xx	13.5	135	1420
OB	1	SINGLE	0.950	LITHONIA	DSX1 LED P2 xxK 80CRI T4M HS	67.7927	67.7927	7820
OC-4	12	SINGLE	0.950	LUMENPULSE	LOI HO-120-12-xxK-8x8-TS0-XX-XX-XX	5	60	316
OC-8	15	GROUP	0.950	LUMENPULSE	LOI HO-120-12-xxK-8x8-TS0-XX-XX-XX	N.A.	150	N.A.
OD	15	SINGLE	0.950	GOTHAM	EVO6 xx_20 AR MD LSS	19.7	295.5	1995
OF-12	10	GROUP	0.950	DADO LTG	HL40-1ML-x-x-w-r-x	N.A.	150	N.A.
OF-24	11	GROUP	0.950	DADO LTG	HL40-1ML-x-x-w-r-x	N.A.	330	N.A.

Calculation Summary								
Label	CalcType	Units	Avg	Max	Min	Avg/Min	Max/Min	
SITE	Illuminance	Fc	0.46	15.62	0.00	N.A.	N.A.	





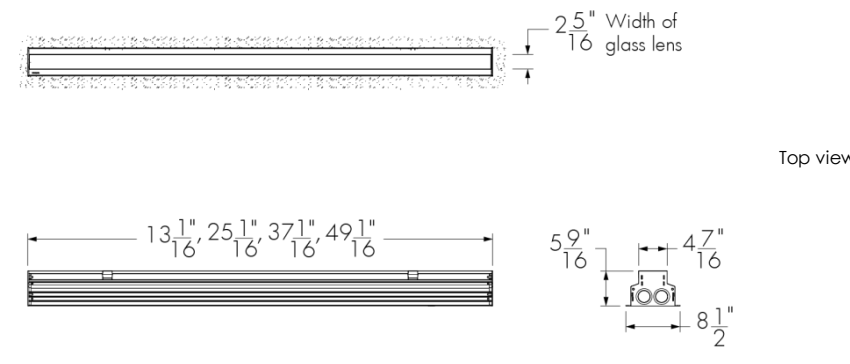




Specification Sheet

lumenfacade Inground LOI WHITE AND STATIC COLORS OC-4

Project Name \_\_\_\_\_ Qty \_\_\_\_\_ Type \_\_\_\_\_ Catalog / Part Number \_\_\_\_\_



Top view

Front and side views

Photometric Summary

Table with 3 columns: Delivered output (lm), Intensity (peak cd), and W/W. Rows include various fixture sizes like 8x8, 10x10, 10x30, etc.

Description

The Lumenfacade Inground is an LED luminaire designed for ground-recessed lighting applications...

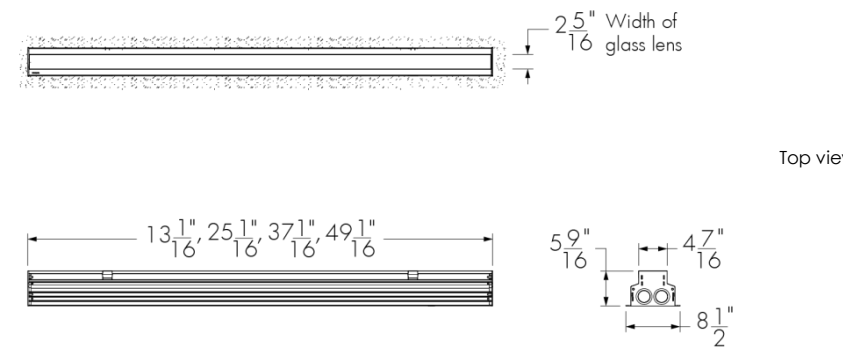
Features

- Construction: Walk over compliant up to 500 kg in any type of ground...
Color and Color Temperature: 2200K, 2700K, 3000K, 3500K, 4000K, Red, Green, Blue
Length (nominal): 12 in, 24 in, 36 in, 48 in
Optics: Asymmetric wallwash, 8° x 8°, 10° x 10°, 10° x 30°, 10° x 60°, 10° x 90°, 15° x 25°, 30° x 30°, 30° x 60°, 35° x 35°, 50° x 80°, 60° x 60°, 80° x 80°, 90° x 90°
Tilt Setting (factory set): 0 degrees, 2.5 degrees, 5 degrees, 20 degrees
Optical Option: Internal louver
Options: Anti-slip lens, CE
Power Consumption: 5 W/ft (meets ASHRAE standards for linear lighting on building facades...)
Warranty: 5-year limited warranty

Specification Sheet

lumenfacade Inground LOI WHITE AND STATIC COLORS OC-8

Project Name \_\_\_\_\_ Qty \_\_\_\_\_ Type \_\_\_\_\_ Catalog / Part Number \_\_\_\_\_



Top view

Front and side views

Photometric Summary

Table with 3 columns: Delivered output (lm), Intensity (peak cd), and W/W. Rows include various fixture sizes like 8x8, 10x10, 10x30, etc.

Description

The Lumenfacade Inground is an LED luminaire designed for ground-recessed lighting applications...

Features

- Construction: Walk over compliant up to 500 kg in any type of ground...
Color and Color Temperature: 2200K, 2700K, 3000K, 3500K, 4000K, Red, Green, Blue
Length (nominal): 12 in, 24 in, 36 in, 48 in
Optics: Asymmetric wallwash, 8° x 8°, 10° x 10°, 10° x 30°, 10° x 60°, 10° x 90°, 15° x 25°, 30° x 30°, 30° x 60°, 35° x 35°, 50° x 80°, 60° x 60°, 80° x 80°, 90° x 90°
Tilt Setting (factory set): 0 degrees, 2.5 degrees, 5 degrees, 20 degrees
Optical Option: Internal louver
Options: Anti-slip lens, CE
Power Consumption: 5 W/ft (meets ASHRAE standards for linear lighting on building facades...)
Warranty: 5-year limited warranty

Specification Sheet

lumenfacade Inground LOI WHITE AND STATIC COLORS

How to order

Table with columns: Housing, Voltage, Length, Color and Color Temperature, Optics, Tilt Setting, Optical Option, Control, Options. Contains detailed ordering codes and specifications.

Notes: 1. Lumenfacade Inground fixture includes one optical chamber (OC), one power and control box (PAC300) and one recessed enclosure (RE). The OC, PAC300 and RE are provided according to the table below...

Specification Sheet

lumenfacade Inground LOI WHITE AND STATIC COLORS

How to order

Table with columns: Housing, Voltage, Length, Color and Color Temperature, Optics, Tilt Setting, Optical Option, Control, Options. Contains detailed ordering codes and specifications.

Notes: 1. Lumenfacade Inground fixture includes one optical chamber (OC), one power and control box (PAC300) and one recessed enclosure (RE). The OC, PAC300 and RE are provided according to the table below...

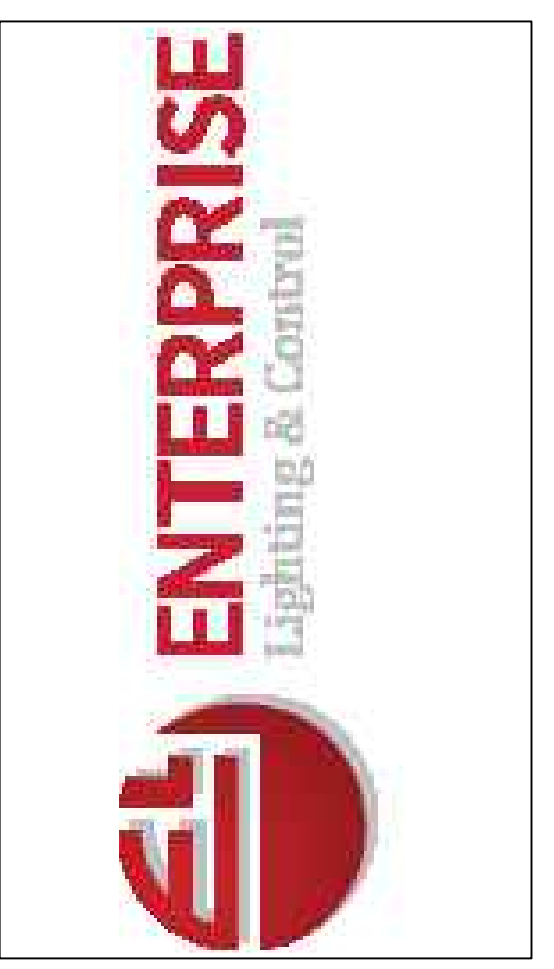


Table with columns: #, DATE, COMMENTS, REVISIONS.

DRAWN BY : LB
DATE : FEB 06, 2023
SCALE : NTS

BRADY STREET HOTEL
MILWAUKEE, WISCONSIN
SHEET NUMBER: ES104
LUMINAIRE DETAILS



**gotham** | E v o | Multiple Layers of Light

**General Illumination Round Downlight** **6"**

**Feature Set**

- Bounding Ray™ optical design
- Unibed optics mechanically attach the light engine to the lower reflector for complete optical alignment.
- 45° cutoff to source and source image
- Fully serviceable and upgradeable lensed LED light engine
- 70% lumen maintenance at 60,000 hours
- 2.5 MacAdam Ellipse; 85 CRI typical, 90+ CRI optional
- Features are wet location, covered ceiling

**Distribution**

Very Narrow (VND) 0.5 S/MH, Narrow (ND) 0.7 S/MH, Medium (MD) 0.8 S/MH, Medium Wide (MWD) 1.0 S/MH, Wide (WD) 1.2 S/MH

**Superior Performance**

Nominal Lumens	250	500	750	1000	1500	2000	2500	3000	3500	4000	4500	5000	6000	8000	10,000	12,000	15,000	17,500
Delivered Lumens	297	519	776	994	1471	2006	2537	3077	3542	4027	4533	5256	6371	8247	10637	13332	15761	17801
Wattage	3.4	6.2	8.2	9.6	14.7	19.7	24.7	29.5	33.8	39.0	47.3	48.7	57.6	74.9	97.1	115.0	150.5	175.3
Lumens per Watt	87.4	83.7	94.6	103.5	100.1	101.8	102.7	104.3	104.8	103.3	95.8	107.9	110.6	110.1	105.5	107.2	104.5	105.5

**Coordinated Apertures | Multiple Layers of Light**

General Illumination Layer 1 EVO, High Center Beam Layer 1 Incito, EVO + Incito — Multiple Layers of Light

**Core** Downlight, Adjustable, Open Wash, Lensed Wash, Cylinder, Profile, Bowl, Hyperbolic

**Healthcare** MRI, Surgical Suite, Patient Room

**Special Applications** Dynamic, Food Service, Vandal/Tamper, Clean Room, Shower, Steam Room

EVO-OPEN page 1 of 9 | gothamarchitectural.com | 1400 Luster Road, Orem, UT 84057 | 801-795-5281 | gothamlighting.com

**gotham** | E v o | **6"** General Illumination Round Downlight

**EXAMPLE: EVO6 35/150 AR MWD LSS MVOLT E21**

Series	Color Temperature	Nominal Lumen Values	Reflector & Flange Color	Trim Style	Finish
EVO6	27° 2700 K	82 250 lumens 85 500 lumens 87 750 lumens 40/ 4000 K 50/ 5000 K	40 4000 lumens 45 4500 lumens 50 5000 lumens GR Gold WR White	AR Clear PR Pewter WTR Wheat GR Gold WR White	LS Semi-specular LB Matte-diffuse LS Specular
		20 2000 lumens 20 2500 lumens 30 3000 lumens 35 3500 lumens	180 1800 lumens 120 1200 lumens 150 1500 lumens 175 1750 lumens	BR Black WARM White Anti-microbial RAL paint for pricing only TCP Custom paint color	

**Distribution**

Distribution	Voltage	Driver*	ECOD†
VND Very Narrow (0.5 S/MH)	120	G210 0-10V driver dims to 10%	Lutron Ecosystem digital Hi-Lume 1% soft-on, fade to black. Max 4000LM.
ND Narrow (0.7 S/MH)	120	G21 0-10V driver dims to 1%	
MD Medium (0.8 S/MH)	277	E21 e6eLED 0-10V ESDriver. Linear dimming to 1% min.	
MWD Medium Wide (1.0 S/MH)	347†	E2B e6eLED 0-10V SOLDriver. Logarithmic dimming to <1%.	
WD Wide (1.2 S/MH)		E2B e6eLED SOLDriver DALI. Logarithmic dimming to <1%.	
		EDB e6eLED POWERdrive DMX with ROM (remote device management). Square Law dimming to <1%. Includes termination resistor. Refer to DMX Manual. Minimum 1000 lumens/Maximum 35000 lumens.	

**Control Interface**

Control Interface	Emergency Options	Options
NLT eLight™ dimming pack controls	EL Emergency battery pack, 10W, with integral test switch	SF Single fuse. Specify 120V or 277V.
NLTBR eLight™ dimming pack controls emergency circuit	ELP Emergency battery pack, 10W, with remote test switch	TRW White painted flange
NLTBR2 eLight™ ARI enabled emergency	ELSP Emergency battery pack, 10W, with self-diagnostics, integral test switch	FRALDOP Flange only RAL color for pricing only
NLTBR22 eLight™ ARI Dimming Pack Wireless Controls. Controls features on emergency circuit with battery pack	ELSDP Emergency battery pack, 10W, with self-diagnostics, remote test switch	FCPC Flange custom paint color
	E10WCP Emergency battery pack, 10W Constant Power. CA Title 20 compliant with integral test switch	NBB eLight™ Lumen Compensation generator transfer device. Specify 120V or 277V
	E10WCPA Emergency battery pack, 10W Constant Power. CA Title 20 compliant with remote test switch	SCRI High CRI (90+)
	B6TD Remote generator transfer device. Specify 120V or 277V	CP Chicago Plenum. Specify 120V or 277V for 5000lm and above.
		RAO High Ambient Option (40°C)
		RELO e6eLED Luminaire connectors enable a simple and consistent factory installed option across all ABL Luminaire brands. Available only with RRA, RRA, RRA, and RRA. Refer to RRA spec sheet on www.gothambrands.com for RELO™ product specifications. Above ceiling access required.

**ACCESSORIES — order as separate catalog numbers (shipped separately)**

SC46 Sloped ceiling adapter. Degree of slope must be specified (50, 100, 150, 200, 250, 300). Ex. SC46-100. Refer to TECH-130.

CTA-6 EDB 6" Aperture ceiling thickness adapter. For use with 8,000LM luminaire mounting frame to accommodate ceiling thickness up to 5".

CTA-8 YK 4"-8" Aperture ceiling thickness adapter for use with EDXB or CP up to 8,000LM, or r-tune options (extends mounting frame to accommodate ceiling thickness up to 5").

CTA-8 YKH 6" Aperture ceiling thickness adapter. For 10,000LM and up (extends mounting frame to accommodate ceiling thickness up to 5"). For use with CWN/DWN trim, EDXB, CP or r-tune options.

ISD BC 0-10V wallbox dimmer. Refer to ISD-BC.

**ORDERING NOTES**

- Not available with finishes.
- Replace with applicable RAL number and finish when ready to order. See TECH-130.
- CRSIC for available color options. Not available with emergency battery pack options.
- Not available with emergency battery pack options.
- Specify with factory installed slope down transformer.
- Refer to TECH-130 for creative options.
- Not available with r-light®.
- Specify wattage.
- For use with different reflector finish only (i.e. AR, PR, WTR, GR options). Not applicable with BR (black reflector) or FL (flangeless) option.
- CRSIC for available color options. Not available with emergency battery pack options.
- Feature begins at 80% light level. Must be specified with NLT or NLTBR.
- 12,000LM max with EL or eLight options. 5,000LM max with Lutron drivers combined with EL. Not available with ELR, M40, or DAB, or any lighter ARI dimming options.
- Only available 5000LM - 15,000LM with e6eLED driver.
- Not available DALI or DMX drivers. Not available with CP or NBD options. Not recommended for metal ceiling installations.
- When combined with the E21, E21B, or E2B option, normal luminaires (non-emergency) can be used as a normal power sensing device for nearby LED ARI drivers and luminaires with EM emergency options.

EVO-OPEN page 2 of 9 | gothamarchitectural.com | 1400 Luster Road, Orem, UT 84057 | 801-795-5281 | gothamlighting.com

**dado** **HardLineLED** 1.5, 2.5, 3.0, 4.0 or 6.0 x 1-3/4" Type: **OF12**

**Ordering**

Series HL15 HardLine LED 1.5 inch width  
HL25 HardLine LED 2.5 inch width  
HL30 HardLine LED 3.0 inch width  
HL40 HardLine LED 4.0 inch width  
HL50 HardLine LED 6.0 inch width

**Lamping**

3KL 88lm/ft LED 2.5w/ft (8w/m) (30 & 35K only)  
3AKL\* 143lm/ft LED 2.5w/ft (8w/m) (30 & 35K only)  
1ML 175lm/ft LED 4.9w/ft (16w/m)  
1AML\* 285lm/ft LED 4.9w/ft (16w/m)  
2ML 350lm/ft LED 9.8w/ft (32w/m)  
2AML\* 570lm/ft LED 9.8w/ft (32w/m)  
CC Constant Current LED Up to 8.0 w/ft (485lm/ft)  
ACC\* Constant Current LED Up to 8.0 w/ft (791lm/ft)  
6P\* 228lm/ft LED 6.2w/ft for use with LUTP96 power supply (609 & 290K only)  
\*\*Available in HL15 series only

**Color**

269 2650K, 90+CRI, 6P lamping only  
27 2700K, 85+ CRI 279 2700K, 90+ CRI  
299 2950K, 90+CRI, 6P lamping only  
30 3000K, 85+ CRI 309 3000K, 90+ CRI  
35 3500K, 85+ CRI 40 4000K, 85+ CRI  
Consult for other colors, RGB and warm dim

**Wire Harness 1** Single  
**Lens** W White flush  
TW3 3/8" Tall White (HL15, HL25 & HL30 only)  
G Custom graphics, braille to be added to W or TW3 lens

**Driver** R Remote  
**Start End** S Straight End  
SNS Straight End without visible screw (use if surface mounting)  
REC† X Rectangle Flat XX" by XX" (if on all three sides)  
PAT Use to denote patterns as drawn

**Length** Add 1/4" to include 1/8" thick end cap in length  
xx xx is distance in inch or mm  
xxFC Allows for housing to be field cut for exact fit

**Transition** LTxx Left Turn same plane (degrees 66° to 179°)  
RTxx Right Turn same plane (degrees 66° to 179°)  
OC90 Outside Corner (degrees 75° to 179°)  
ICxx Inside Corner (degrees 75° to 179°)

**Finish End** Choose from Start End choices listed above  
**Lip Color** NA Natural anodized BK Black  
BZ Bronze WH White (Add E if entire fixture needs color)

**Units** in inches mm millimeters  
**Options** CL2Pxx Longer length CL2P feed cable (std is 15ft) to reach remote power supply.  
CP Chicago Plenum  
EF Feed cable exits end (10' or shorter housings)  
EM Feed cable labeled for connection to EM circuit.  
PoE 10ft CL2P cable, Remote POE driver by others. PoE performance and compatibility TBD by PoE component provider

**Environmental Data**

For 3KL & 3AKL lamping at 3000K: For 1ML & 1AML lamping at 3000K: For 2ML & 2AML lamping at 3000K: Temp range: 0° - 90°F (-20 - 30°C)  
W: 2.5W/ft (8W/m) W: 4.9W/ft (16W/m) W: 4.9W/ft (16W/m) No Mercury, No UV, No Flicker  
LLD: 50,000hrs @ 70%im LLD: 50,000hrs @ 70%im LLD: 50,000hrs @ 70%im Warranty: 5 years  
40ft (12M) on one 100w driver 20ft (6M) on one 100w driver 10ft (3M) on one 100w driver cETLus Damp Listed IC Rofed  
Contact factory for construction details to install in environments with ambient temperatures above 90°F for more than 5 hours.  
Specifications and dimensions subject to change without notice. Protected under U.S. Pat. 8109159 and other patents pending. info@dadoledlighting.com v1#187.323.4584

**dado** **HardLineLED** 1.5, 2.5, 3.0, 4.0 or 6.0 x 1-3/4" Type: **OF12**

**BALLabs** Independent Test No. 17940.0

**Candelpower Distribution (cd)**

Angle	Along	45°	Across
0°	259	259	259
5°	262	259	256
10°	256	252	251
15°	252	247	246
20°	240	236	234
25°	230	225	225
30°	219	214	211
35°	202	199	197
40°	186	180	179
45°	166	163	162
50°	149	144	145
55°	128	124	125
60°	107	105	104
65°	85	84	82
75°	43	42	40
85°	9	7	10
90°	0	0	0

**Zonal Lumen Summary**

Zone	Lumen	% Luminance
0-30°	198	28.4%
0-40°	322	46.1%
0-60°	560	80.2%
0-90°	139	19.8%
90-180°	0	0%
0-180°	699	100%

**Luminance Data (cd/m²)**

Angle	Along	45°	Across
45°	607	595	588
55°	5713	5529	5575
65°	5128	5065	5003
75°	4288	4186	3982
85°	2729	2122	3032

**Photometric Data**

**BALLabs** Independent LM-79 Test No. 17943.0

This is an absolute test per LM-79-08  
Luminous Length: 24" Width: 1.5"

**Zonal Lumen Summary**

Zone	Lumen	% Luminance
0-30°	315	27.7%
0-40°	512	45.1%
0-60°	894	78.7%
0-90°	242	21.3%
90-180°	0	0%
0-180°	1136.00	100%

**Luminance Data (cd/m²)**

Angle	Along	45°	Across
45°	16411	16065	15660
55°	15530	14960	14604
65°	14986	14213	13826
75°	12362	12788	12939
85°	11252	10783	11721

**Cat No.:** S25-MCS-2ML-35-1-W-R-S-24-S-in\* Meanwell Driver No.: LPV-20-24 operating at 120v  
Total Lumens: 701  
\* Multiply all data by: .50 for 1AML; .25 for 3KL; 1.39 for 8.OACC

**dado** **HardLineLED** 1.5, 2.5, 3.0, 4.0 or 6.0 x 1-3/4" Type: **OF24**

**Ordering**

Series HL15 HardLine LED 1.5 inch width  
HL25 HardLine LED 2.5 inch width  
HL30 HardLine LED 3.0 inch width  
HL40 HardLine LED 4.0 inch width  
HL50 HardLine LED 6.0 inch width

**Lamping**

3KL 88lm/ft LED 2.5w/ft (8w/m) (30 & 35K only)  
3AKL\* 143lm/ft LED 2.5w/ft (8w/m) (30 & 35K only)  
1ML 175lm/ft LED 4.9w/ft (16w/m)  
1AML\* 285lm/ft LED 4.9w/ft (16w/m)  
2ML 350lm/ft LED 9.8w/ft (32w/m)  
2AML\* 570lm/ft LED 9.8w/ft (32w/m)  
CC Constant Current LED Up to 8.0 w/ft (485lm/ft)  
ACC\* Constant Current LED Up to 8.0 w/ft (791lm/ft)  
6P\* 228lm/ft LED 6.2w/ft for use with LUTP96 power supply (609 & 290K only)  
\*\*Available in HL15 series only

**Color**

269 2650K, 90+CRI, 6P lamping only  
27 2700K, 85+ CRI 279 2700K, 90+ CRI  
299 2950K, 90+CRI, 6P lamping only  
30 3000K, 85+ CRI 309 3000K, 90+ CRI  
35 3500K, 85+ CRI 40 4000K, 85+ CRI  
Consult for other colors, RGB and warm dim

**Wire Harness 1** Single  
**Lens** W White flush  
TW3 3/8" Tall White (HL15, HL25 & HL30 only)  
G Custom graphics, braille to be added to W or TW3 lens

**Driver** R Remote  
**Start End** S Straight End  
SNS Straight End without visible screw (use if surface mounting)  
REC† X Rectangle Flat XX" by XX" (if on all three sides)  
PAT Use to denote patterns as drawn

**Length** Add 1/4" to include 1/8" thick end cap in length  
xx xx is distance in inch or mm  
xxFC Allows for housing to be field cut for exact fit

**Transition** LTxx Left Turn same plane (degrees 66° to 179°)  
RTxx Right Turn same plane (degrees 66° to 179°)  
OC90 Outside Corner (degrees 75° to 179°)  
ICxx Inside Corner (degrees 75° to 179°)

**Finish End** Choose from Start End choices listed above  
**Lip Color** NA Natural anodized BK Black  
BZ Bronze WH White (Add E if entire fixture needs color)

**Units** in inches mm millimeters  
**Options** CL2Pxx Longer length CL2P feed cable (std is 15ft) to reach remote power supply.  
CP Chicago Plenum  
EF Feed cable exits end (10' or shorter housings)  
EM Feed cable labeled for connection to EM circuit.  
PoE 10ft CL2P cable, Remote POE driver by others. PoE performance and compatibility TBD by PoE component provider

**Environmental Data**

For 3KL & 3AKL lamping at 3000K: For 1ML & 1AML lamping at 3000K: For 2ML & 2AML lamping at 3000K: Temp range: 0° - 90°F (-20 - 30°C)  
W: 2.5W/ft (8W/m) W: 4.9W/ft (16W/m) W: 4.9W/ft (16W/m) No Mercury, No UV, No Flicker  
LLD: 50,000hrs @ 70%im LLD: 50,000hrs @ 70%im LLD: 50,000hrs @ 70%im Warranty: 5 years  
40ft (12M) on one 100w driver 20ft (6M) on one 100w driver 10ft (3M) on one 100w driver cETLus Damp Listed IC Rofed  
Contact factory for construction details to install in environments with ambient temperatures above 90°F for more than 5 hours.  
Specifications and dimensions subject to change without notice. Protected under U.S. Pat. 8109159 and other patents pending. info@dadoledlighting.com v1#187.323.4584

**dado** **HardLineLED** 1.5, 2.5, 3.0, 4.0 or 6.0 x 1-3/4" Type: **OF24**

**BALLabs** Independent Test No. 17940.0

**Candelpower Distribution (cd)**

Angle	Along	45°	Across
0°	259	259	259
5°	262	259	256
10°	256	252	251
15°	252	247	246
20°	240	236	234
25°	230	225	225
30°	219	214	211
35°	202	199	197
40°	186	180	179
45°	166	163	162
50°	149	144	145
55°	128	124	125
60°	107	105	104
65°	85	84	82
75°	43	42	40
85°	9	7	10
90°	0	0	0

**Zonal Lumen Summary**

Zone	Lumen	% Luminance
0-30°	198	28.4%
0-40°	322	46.1%
0-60°	560	80.2%
0-90°	139	19.8%
90-180°	0	0%
0-180°	699	100%

**Luminance Data (cd/m²)**

Angle	Along	45°	Across
45°	607	595	588
55°	5713	5529	5575
65°	5128	5065	5003
75°	4288	4186	3982
85°	2729	2122	3032

**Photometric Data**

**BALLabs** Independent LM-79 Test No. 17943.0

This is an absolute test per LM-79-08  
Luminous Length: 24" Width: 1.5"

**Zonal Lumen Summary**

Zone	Lumen	% Luminance
0-30°	315	27.7%
0-40°	512	45.1%
0-60°	894	78.7%
0-90°	242	21.3%
90-180°	0	0%
0-180°	1136.00	100%

**Luminance Data (cd/m²)**

Angle	Along	45°	Across
45°	16411	16065	15660
55°	15530	14960	14604
65°	14986	14213	13826
75°	12362	12788	12939
85°	11252	10783	11721

**Cat No.:** LL15-2AML-35-1-W-R-S-24-S-in\* Meanwell Driver No.: LPV-20-24 operating at 120v  
Total Lumens: 1142  
\* Multiply all data by: .50 for 1AML; .25 for 3AKL; 1.39 for 8.OACC

**ENTERPRISE** Lighting & Control

**COMMENTS**

**DATE**

**#**

**REVISIONS**

**DRAWN BY :** LB

**DATE :** FEB 06, 2023

**SCALE :** NTS

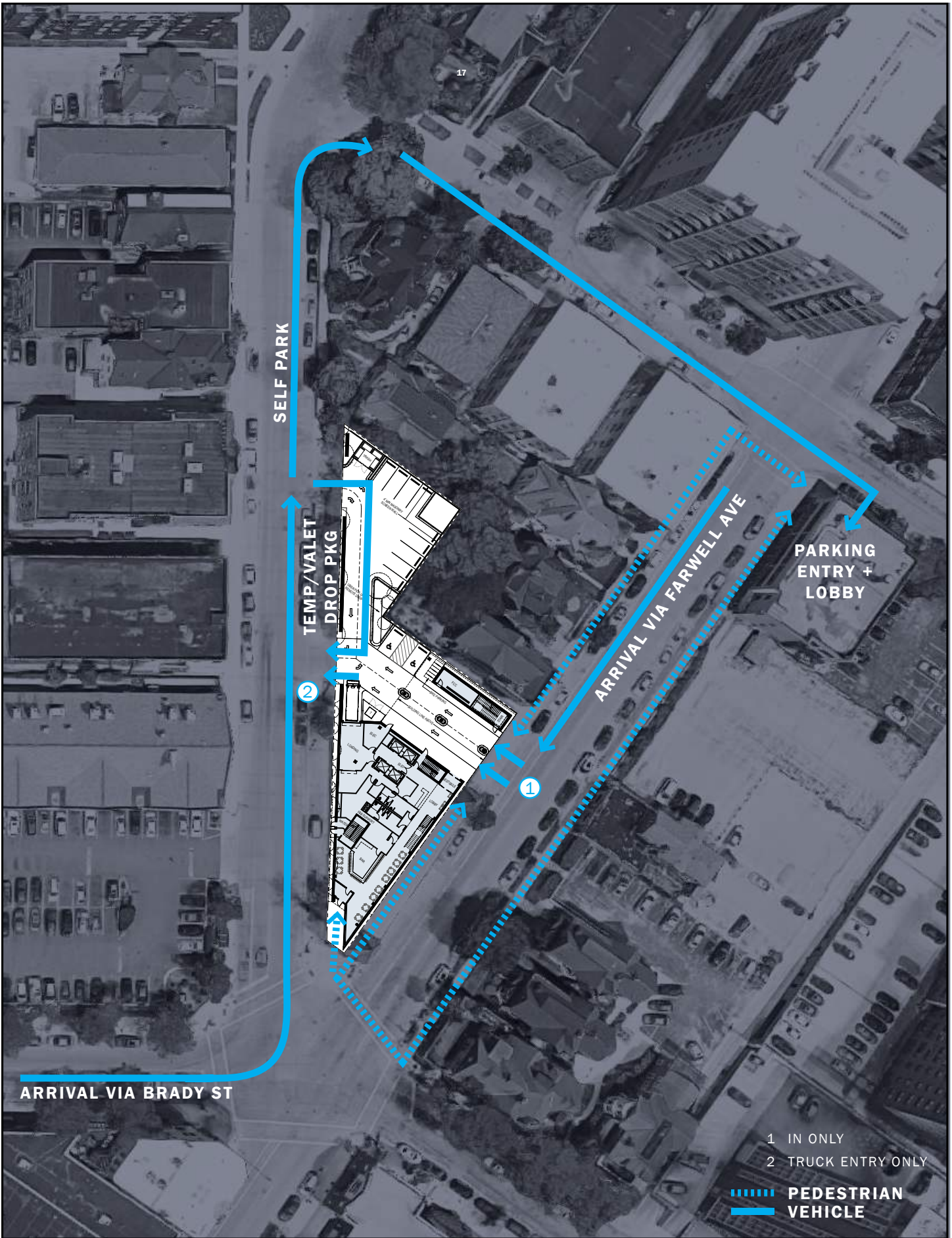
**BRADY STREET HOTEL**

**MILWAUKEE, WISCONSIN**

**SHEET NUMBER:** ES105

**LUMINAIRE DETAILS**





- 1 IN ONLY
- 2 TRUCK ENTRY ONLY

- - - - - PEDESTRIAN  
————— VEHICLE

# GUEST CIRCULATION

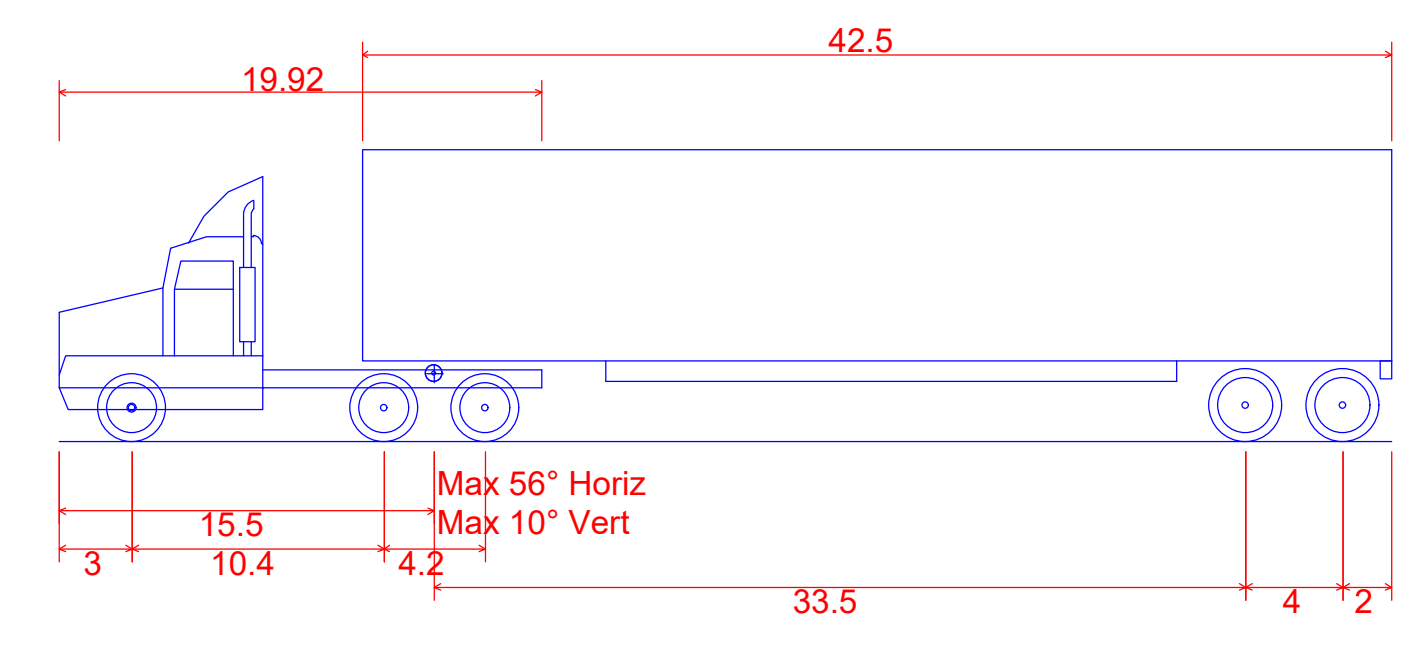
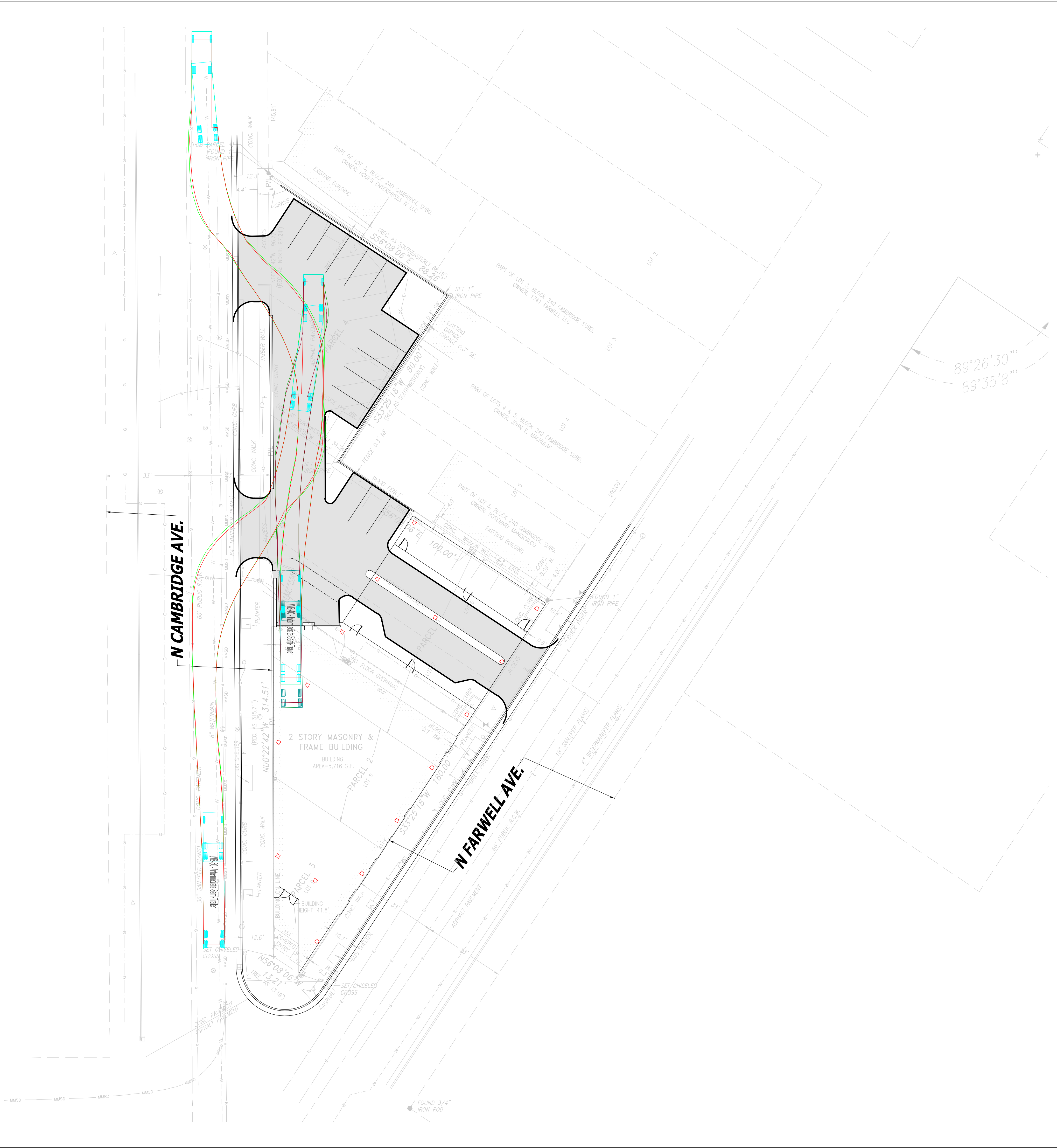
1709 - 1723 N FARWELL AVE. DPD



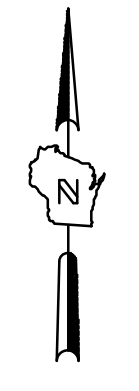


# VALET CIRCULATION





**WB-50 - Intermediate Semi-Trailer**  
 Overall Length 42.5  
 Overall Width 8.5  
 Overall Body Height 12.052  
 Min Body Ground Clearance 1.334  
 Max Track Width 8.5  
 Lock-to-lock time 6.00s  
 Curb to Curb Turning Radius 45.000ft



BRADY AND FARWELL AND ST JOHNS PARCEL

VEHICLE TURNING MOVEMENT

**PRELIMINARY  
 NOT FOR  
 CONSTRUCTION**

SCALE:	
PROJECT NO:	21385
DESIGN DATE:	---
PLOT DATE:	11/1/2022
DRAWN BY:	---
CHECKED BY:	---
APPROVED BY:	---
SHEET NO:	

**EXB.3**