



PETITION FOR A SPECIAL PRIVILEGE

ccl-246 (7/15)
SP 2768
CCF 161651

- New application \$250.00 Fee
- Amendment to add items to Special Privilege # _____ (\$125.00 Fee)
- Amendment to remove items from Special Privilege # _____ (No fee)
- Amendment for change of ownership for Special Privilege # _____ (No fee)

- File petition with the Department of Public Works, Attention: Special Privileges, 841 North Broadway, Room 919, Milwaukee, WI 53202.
- Fee must be submitted with petition. Checks should be made payable to the City of Milwaukee.
- Questions? Call 414-286-2454

To the Honorable, The Common Council of the City of Milwaukee:

The Licensee McNulty Holdings LLC
(Name of Individual, Partners, Corporation or LLC)

being the owners of the following property known by street address as 1111 N. Old World 3rd Street, 53203
(Street Address and Zip Code)

in the 4th Aldermanic District respectfully petition the Common Council of the City of Milwaukee according to the provisions of Section 66.0425 of the Wisconsin Statutes, that the following privilege be granted:

Description of Special Privilege: Install Bike Corral on the street

Of which a plan or sketch is herewith submitted. Petitioner agrees to comply with all laws and all ordinances of the City of Milwaukee, to abide by any order or resolution of the Common Council affecting this privilege, to be primarily liable for damages to person or property by reason of the granting of such privilege, pay annual compensation as provided by law in the sum to be fixed by the proper city officers, and to file and keep current throughout the existence of the privilege, a certificate of insurance indicating applicant holds a public liability policy in at least the sums of \$25,000.00/\$50,000.00 bodily injury, and \$10,000.00 property damage, insuring the city against any liability that might arise by reason of the privilege.

Petitioner further agrees to remove said privilege whenever public necessity so requires when so ordered upon resolution adopted by the Common Council or other legislative body.

Should this special privilege be discontinued for any reason whatsoever, petitioner agrees to remove all construction work executed pursuant to this special privilege, to restore to its former condition and to the approval of the Commissioner of Public Works, any curb, pavement, or other public improvement which was removed, changed or disturbed by reason of the granting of this special privilege. Petitioner further agrees not to contest the validity of Section 66.0425 of the Wisconsin Statutes, or the legality of this special privilege in any way.

Name (Please Print): Kenneth J McNulty
(Individual, Partner, or Agent if corporation or LLC as shown above)

Signature: [Signature] Managing member Date: 1/25/17
(Individual, Partner, or Agent if corporation or LLC)

Corporation or LLC Name: McNulty Holdings LLC
(If applicable, as shown above)

Mailing Address (If different than property address above): _____

(OVER)

City: _____ State: _____ Zip: _____

Telephone: _____ E-Mail: _____

Architect/Engineer/Contractor (If Applicable)

Name: _____

Address: _____

City: _____ State: _____ Zip: _____

Telephone: _____ E-Mail: _____

IMPORTANT NOTICE FOR CUSTOMERS PAYING BY CHECK

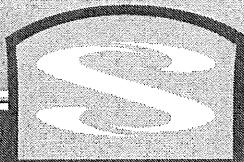
When you provide a check as payment, you authorize us either to use information from your check to make a one-time electronic fund transfer from your account or to process the payment as a check transaction.

Special Privilege Application
City of Milwaukee
Department of Public Works

JAN 25 2017

\$ 25000 DMS

PAID

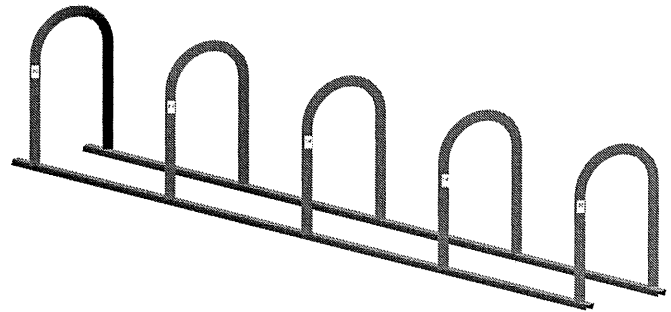


CYCLE RACKS

SARIS

BIKE CORRAL

The Bike Corral turns one car parking stall into bike parking for 10 bikes. It's a great use of space and a low cost option for more customer parking, it frees up sidewalk space for pedestrian foot traffic and communicates a commitment to bike friendliness.



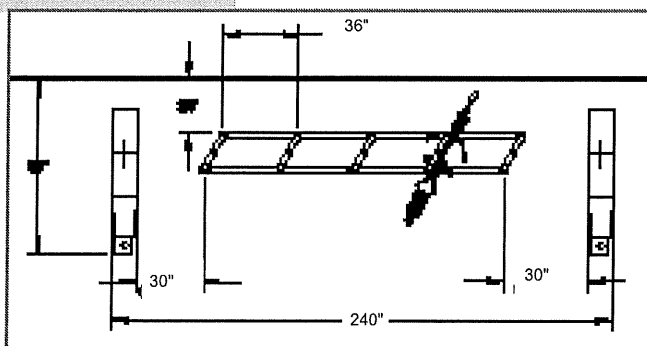
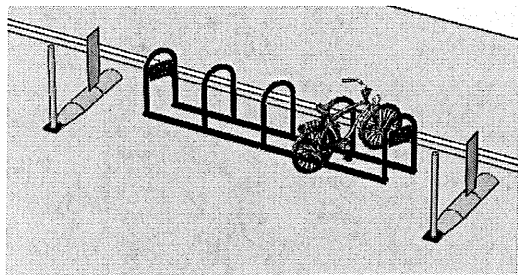
Specifications - 2 3/8" OD schedule 40 steel

Model #	# Bikes	Type of mount	weight	length	width	height	Space Requirement
2140	10	Freestand	244 lbs.	156"	18.6"	37.2"	80" x 240"
2142	10	Freestand	255 lbs.	156"	18.6"	37.2"	80" x 240"

Note: Saris Parking Systems representatives can assist with custom layout and spacing to meet your room dimensions and desired bike capacity.

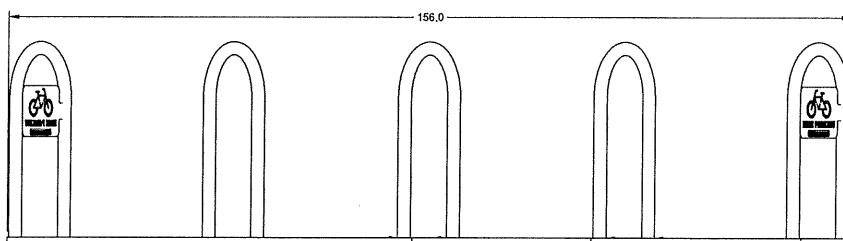
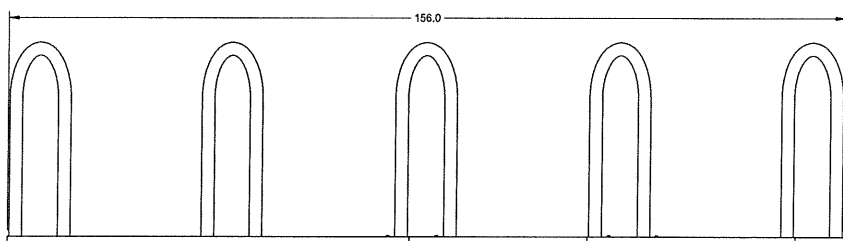
Bike Corral

Recommended Spacing



Product Details

- Easy access for maintenance and street cleaning
- Only 4 points of installation and can be anchored into asphalt
- Solid construction resists impact damage; constructed of 2 3/8" OD schedule 40 steel
- Durable powder coat finish is corrosion resistant and has long term life span
- Meets APBP bike parking standards
- Customization and branding options available



Saris Bike Corral as manufactured by Saris

Product Information



10 bikes per rack



Materials

2 3/8" round tube
3" x 1 1/2" c-channel for hoops



Finish

Powder Coat
Galvanized
Thermoplastic



Hardware

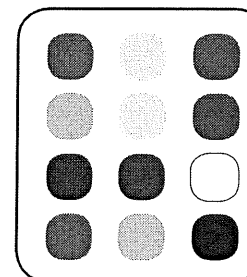
Can be freestanding or use recommend #6259 for concrete installation and #6267 for asphalt installation



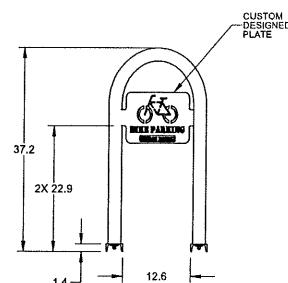
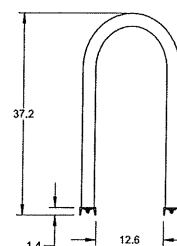
Spacing

24" from curb
36" from rack to end of parking spot

Anchors must be purchased separately

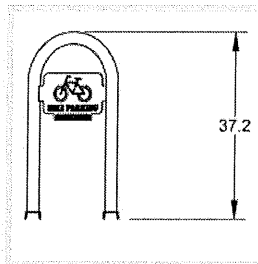


Standard Colors



Downloadable product resources available online:





BIKE CORRAL

Turn one car parking stall into parking for 10 bikes

BRANDING

- Non-Branded
- Branded

FINISH

Hot Dipped Galvanized

Powder Coat

\$1,006.25

SKU: 2140G

ADD TO CART

ADD TO QUOTE

PRODUCT DESCRIPTION

The Bike Corral turns one car parking stall into bike parking for 10 bikes. It's a great use of space and a low cost option for more customer parking, it frees up sidewalk space for pedestrian foot traffic and communicates a commitment to bike friendliness.

Materials & Finishes

PRODUCT DETAILS

- Easy access for maintenance and street cleaning
- Only 4 points of installation and can be anchored into asphalt
- Solid construction resists impact damage; constructed of 2 3/8" OD schedule 40 steel
- Durable powder coat finish is corrosion resistant and has long term life span
- Meets APBP bike parking standards
- Customization and branding options available – [Contact us to learn more](#)

NUMBER OF BIKES

- 10 bikes per rack

MATERIALS

- 2 3/8" round tube
- 3" x 1 1/2" c-channel for hoops

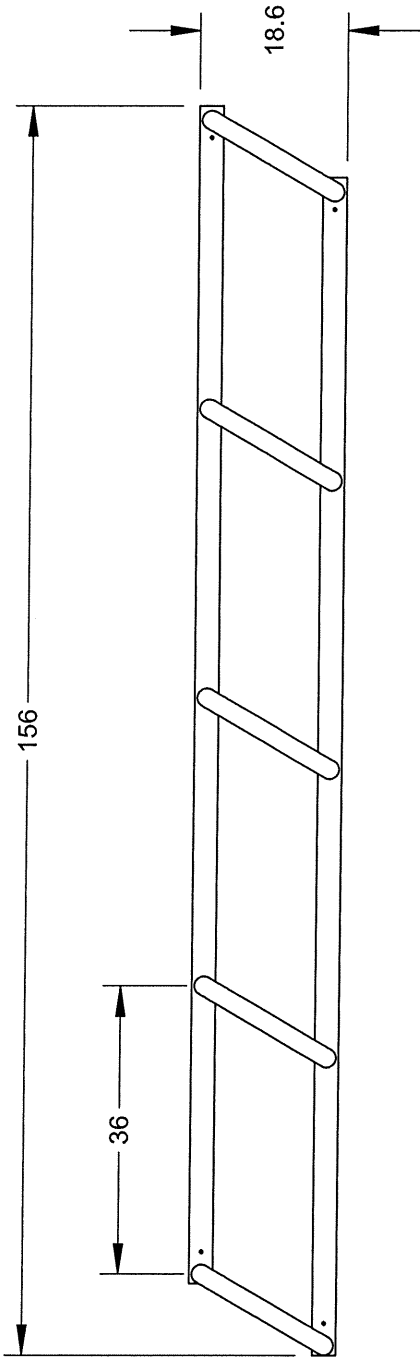
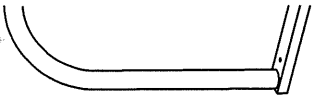
FINISH

- Power Coat
- Galvanized

HARDWARE

Can be freestanding or use recommended:

- [Anchor Kit 6" Spike \(Qty. 4\) #6259](#) for concrete installation – Sold Separately
- [Asphalt Anchor \(Qty 4\) #6267](#) for asphalt installation – Sold Separately



2 3/8" DIAMETER
SCHEDULE 40 PIPE

