



# Certificate of Appropriateness

Milwaukee Historic Preservation Commission/200 E. Wells Street/Milwaukee, WI 53202/phone 414-286-5712/fax 414-286-3004

<b>Property</b>	200 E. WELLS ST. Milwaukee City Hall
<b>Description of work</b>	Install four 12" x 18" aluminum directional signs at east (1), west (1) and south (2) entries of City Hall building. Signs will be standard ADA directional signs for accessible entry with white text and graphic on blue background. Total height will be approximately 65". They will be installed on 3" diameter black metal posts anchored with four concrete expansion anchors hidden by an aluminum architectural metal base. The project will address the requirement of the ADA DOJ settlement agreement DOJ-A1.1-D10. Attached drawings show details of installation locations and mockups of completed installation.
<b>Date issued</b>	11/21/2016 PTS ID 114168 COA-Install ADA entrance signage

In accordance with the provisions of Section 320-21 (11) and (12) of the Milwaukee Code of Ordinances, the Milwaukee Historic Preservation Commission has issued a certificate of appropriateness for the work listed above. The work was found to be consistent with preservation guidelines. The following conditions apply to this certificate of appropriateness:

**The specific designs and locations shown in the attached drawings must be followed exactly.** No signs shall be physically attached to the building.

All work must be done in a craftsman-like manner, and must be completed within one year of the date this certificate was issued. Staff must approve any changes or additions to this certificate before work begins. Work that is not completed in accordance with this certificate may be subject to correction orders or citations. If you require technical assistance, please contact Tim Askin of the Historic Preservation staff as follows: Phone: (414) 286-5712 Fax: (414) 286-3004 E-mail: [tim.askin@milwaukee.gov](mailto:tim.askin@milwaukee.gov).

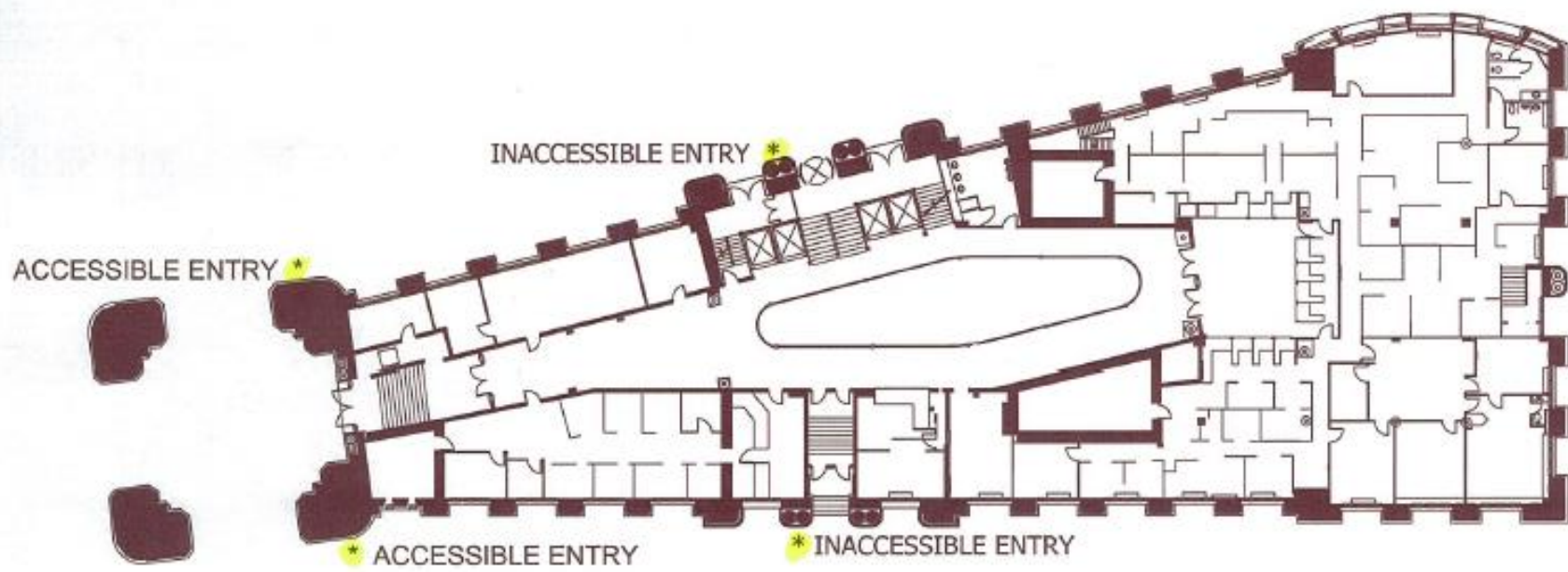
If permits are required, you are responsible for obtaining them from the Milwaukee Development Center. If you have questions about permit requirements, please consult the Development Center's web site, [www.milwaukee.gov/build](http://www.milwaukee.gov/build), or call (414) 286-8210.



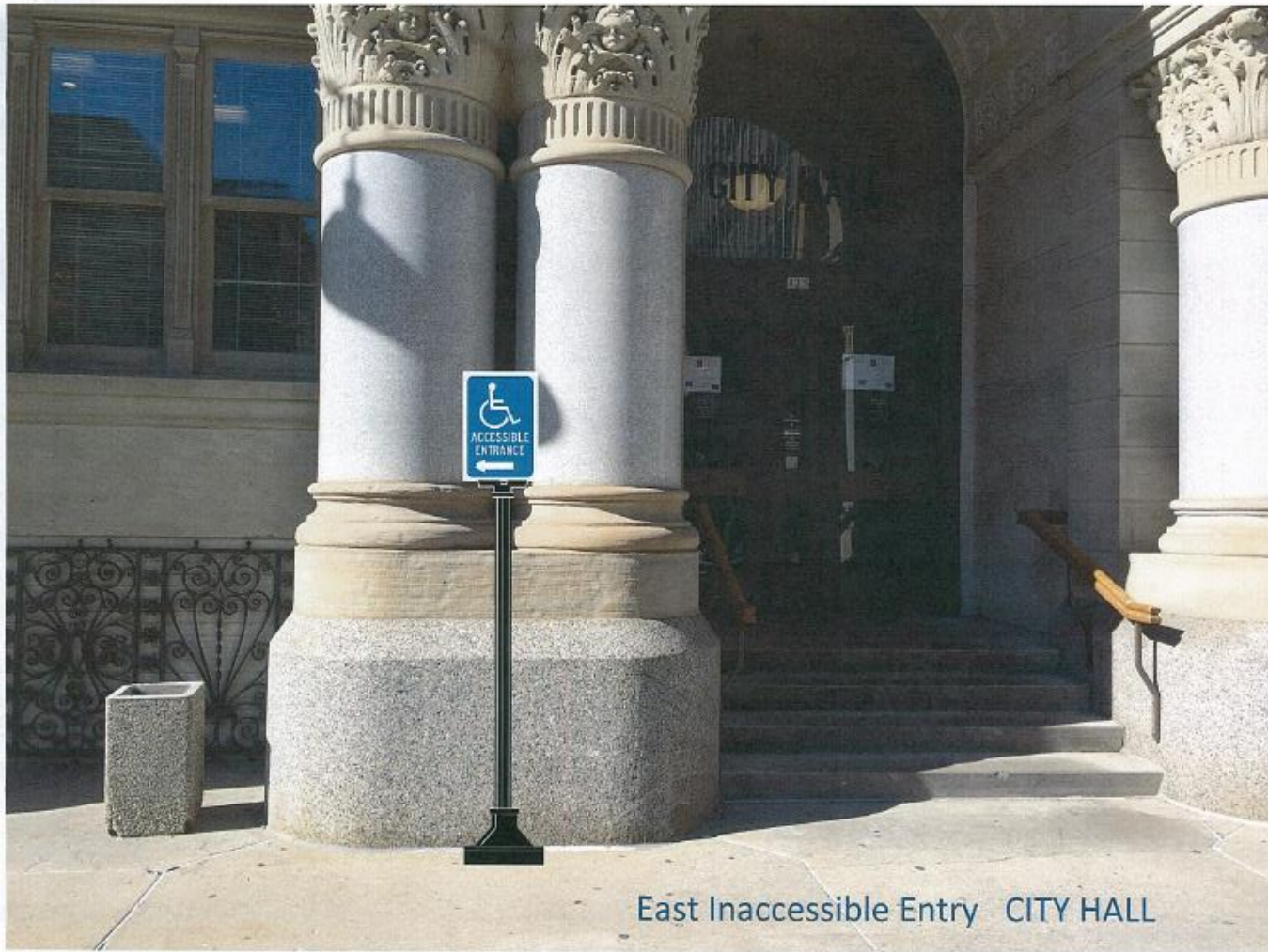
---

City of Milwaukee Historic Preservation Staff

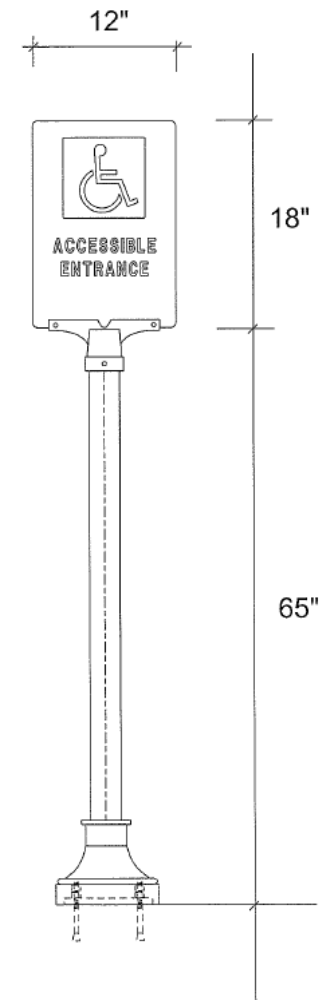
Copies to: Development Center, Ald. Robert Bauman, Contractor , Inspector John Cunningham (286-2538)



City Hall ADA Directional Sign Locations



Mockup of installation, typical scenario.



Dimensional diagram