



# Certificate of Appropriateness

Milwaukee Historic Preservation Commission/200 E. Wells Street/Milwaukee, WI 53202/phone 414-286-5712/fax 414-286-3004

**Property** 3114 N. SHERMAN BL. Sherman Blvd HD  
**Description of work** Install two rooftop HVAC units per attached plans and specifications.  
**Date issued** 4/11/2018 PTS ID 114496 COA: rooftop hvac

In accordance with the provisions of Section 320-21 (11) and (12) of the Milwaukee Code of Ordinances, the Milwaukee Historic Preservation Commission has issued a certificate of appropriateness for the work listed above. The work was found to be consistent with preservation guidelines. The following conditions apply to this certificate of appropriateness:

Any equipment, including ducts, that is above parapet height must have a paint or similar finish. No bare metal is allowed above parapet height.

All work must be done in a craftsman-like manner, and must be completed within one year of the date this certificate was issued. Staff must approve any changes or additions to this certificate before work begins. Work that is not completed in accordance with this certificate may be subject to correction orders or citations. If you require technical assistance, please contact Historic Preservation staff as follows: Phone: (414) 286-5712 E-mail: HPC@milwaukee.gov.

If permits are required, you are responsible for obtaining them from the Milwaukee Development Center. If you have questions about permit requirements, please consult the Development Center's web site, [www.milwaukee.gov/build](http://www.milwaukee.gov/build), or call (414) 286-8210.

\_\_\_\_\_  
City of Milwaukee Historic Preservation Staff

Copies to: Development Center, Ald. Willie Wade, Contractor , Inspector Bob McInnes (286-2518)



Construction progress photo

# SUBMITTAL

# MicroMetl

Knocked-down Roofcurbs for Carrier  
 48/50TC A/B04-A/B07; 50TCQ A04-A07; 48/50HC A04-A06;  
 48/50TF, TM, HJ, TFQ 004-007; 48/50HE 003-006 Units

Part Number:  
**0537 Series**

FORM NO. 1174-24P

DATE: 1/07

SUBMITTED TO \_\_\_\_\_  
 COMPANY: \_\_\_\_\_  
 DRAWN BY: A.L.L.  
 JOB NAME: \_\_\_\_\_  
 EQUIPMENT: \_\_\_\_\_  
 NOTES: \_\_\_\_\_

| 0537 Series Roofcurb Specifications (in inches) |                  |    |         |
|---|------------------|----|---------|
| MicroMetl Part No.                              | Carrier Part No. | A  | Weight  |
| 0537-008A                                       | N/A              | 8  | 71 lbs  |
| 0537-011A                                       | N/A              | 11 | 82 lbs  |
| 0537-014A                                       | CRRFCURB001A01   | 14 | 94 lbs  |
| 0537-024A                                       | CRRFCURB002A01   | 24 | 131 lbs |

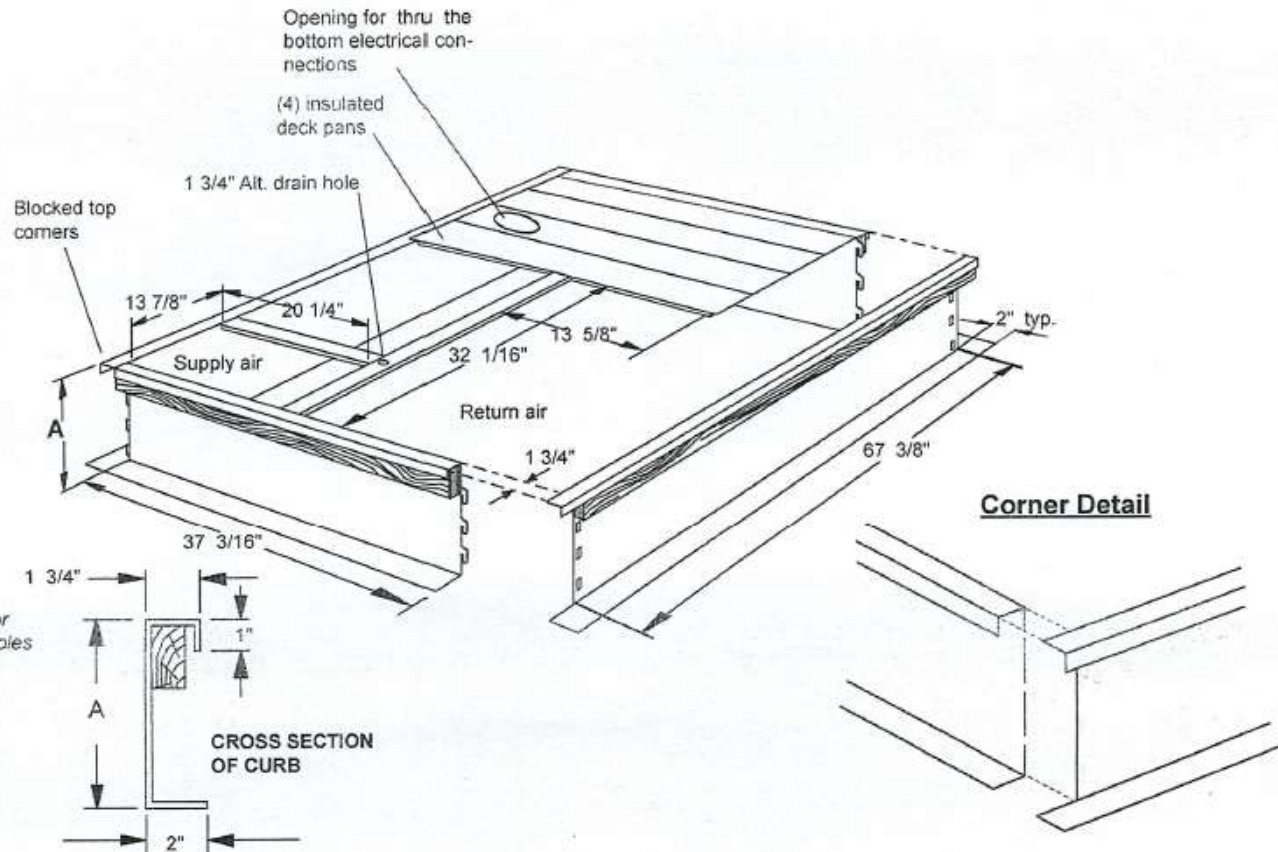
### FEATURES

- \*Roofcurb sides and ends are 16ga. galvanized steel (.058 min.)
- \*Gasketing package provided.
- \*Full perimeter wood nailer.

### NOTES:

- 1.) Adjustable pitched/adjustable height curbs and taller curbs are available,
- 2.) Attach ductwork to roofcurb. Flanges of duct rest on top of curb.
- 3.) Roofcurbs are marked with the Carrier part number.
- 4.) The standard MicroMetl curbs do not have service plate holes. If they are required, you must specify on the order.

NOTE: If using through-the-side of the curb gas or electrical connections, you must specify service holes are required. Optional service plates: 0815-0537.



THIS DOCUMENT IS THE PROPERTY OF MICROMETL CORPORATION AND IS DELIVERED UPON THE EXPRESS CONDITION THAT THE CONTENTS WILL NOT BE DISCLOSED OR USED WITHOUT MICROMETL'S WRITTEN CONSENT.

MICROMETL CORP. • 3035 NORTH SHADELAND AVENUE, SUITE 300 • INDIANAPOLIS, IN. 46226 • 1-800-662-4822 • MICROMETL SPARKS • 202 SOUTH 16TH ST. • SPARKS, NV. 89431 • 1-800-684-4662

- NOTES:
1. DIMENSIONS ARE IN INCHES. DIMENSIONS IN [ ] ARE IN MILLIMETERS.
  2. CENTER OF GRAVITY.
  3. DIRECTION OF AIR FLOW

| UNIT    | J                | K (1 PHASE)     | K (3 PHASE)     |
|---------|------------------|-----------------|-----------------|
| 48KC 04 | 33 3/8<br>(847)  | 14 7/8<br>(377) | 14 7/8<br>(377) |
| 48KC 05 | 33 3/8<br>(847)  | 14 7/8<br>(377) | 18 5/8<br>(472) |
| 48KC 06 | 41 3/8<br>(1051) | 14 7/8<br>(377) | 18 5/8<br>(472) |



P.O. BOX 4806  
THIS DOCUMENT IS THE PROPERTY OF CARRIER CORPORATION AND IS BELIEVED UPON THE EXPRESS CONDITION THAT THE CONTENTS WILL NOT BE REPRODUCED OR USED WITHOUT CARRIER CORPORATION'S WRITTEN CONSENT.

SUBMISSION OF THESE DRAWINGS OR DOCUMENTS DOES NOT CONSTITUTE PART PERFORMANCE OR ACCEPTANCE OF CONTRACT.

| CONNECTION SIZES |   |
|------------------|---|
| A                | 1 3/8" (35) DIA FIELD POWER SUPPLY HOLE |
| B                | 2" (50) DIA POWER SUPPLY KNOCKOUT       |
| C                | 1 3/4" (51) DIA GAUGE ACCESS PLUG       |
| D                | 7/8" (22) DIA FIELD CONTROL WIRING HOLE |
| E                | 3/4" - 14 NPT CONDENSATE DRAIN          |
| F                | 1/2" - 14 NPT GAS CONNECTION            |
| G                | 2 1/2" (64) DIA POWER SUPPLY KNOCK-OUT  |

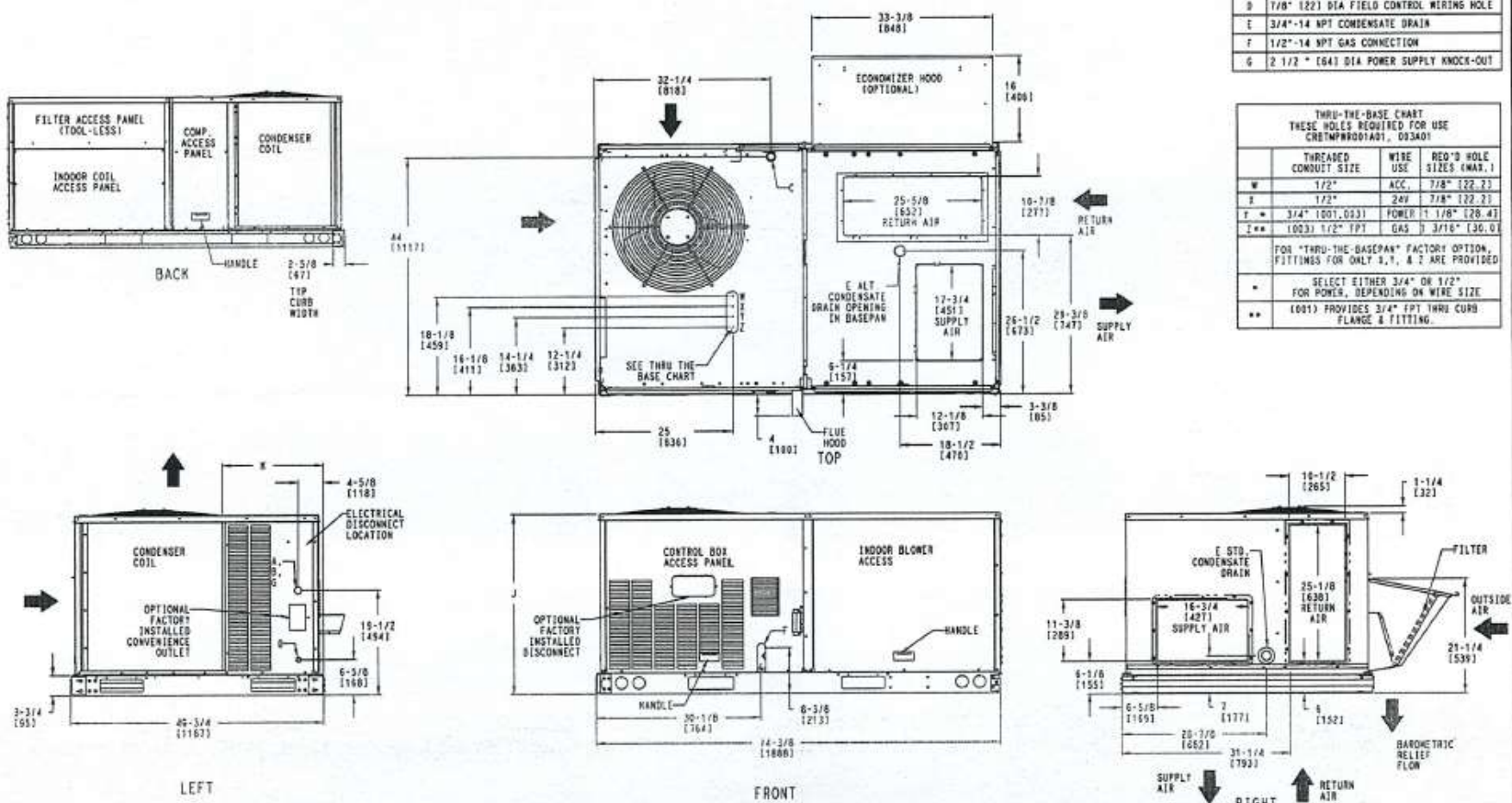
| THRU-THE-BASE CHART<br>THESE HOLES REQUIRED FOR USE<br>CREMPH001A01, 033A01 |                       |          |                          |
|---|-----------------------|----------|--------------------------|
| W   | THREADED CONDUIT SIZE | WIRE USE | RED'D HOLE SIZES (MM, I) |
| 1   | 1/2"                  | ACC      | 7/8" (22.2)              |
| 2   | 1/2"                  | 24V      | 7/8" (22.2)              |
| 3   | 3/4" (100.03)         | POWER    | 1 1/8" (28.4)            |
| 2**   | (100.3) 1/2" FPT      | GAS      | 3/16" (3.0)              |

FOR "THRU-THE-BASEPAN" FACTORY OPTION, FITTINGS FOR ONLY 1, 2, & 3 ARE PROVIDED

\* SELECT EITHER 3/4" OR 1/2" FOR POWER, DEPENDING ON WIRE SIZE

\*\* (100.3) PROVIDES 3/4" FPT THRU CURB FLANGE & FITTING.

CURBS, WEIGHTS & DIMENSIONS



| SHEET  | DATE     | SPENCER | 48KC 04-06 SINGLE ZONE ELECTRICAL COOLING WITH GAS HEAT | 48KC000281 | REV |
|--------|----------|---------|---|------------|-----|
| 1 OF 2 | 09-16-14 | -       |   |            | -   |

0912



ARCHITECTURE  
413 NORTH SECOND STREET  
MILWAUKEE, WI 53203-3111  
414.224.8277 Fax: 414.224.8184

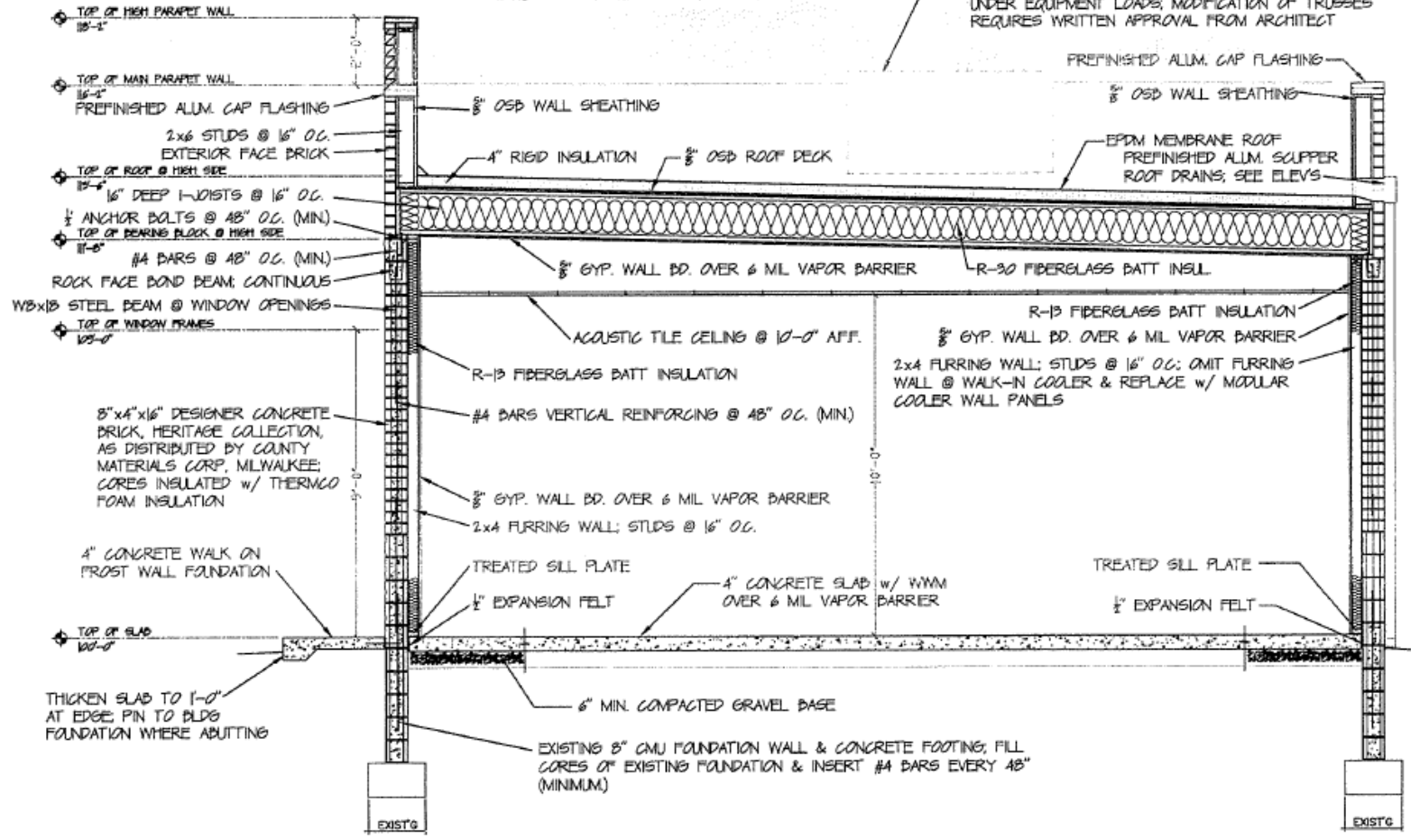
REPLACEMENT NEW CONSTRUCTION  
6th STATION/COMMENCE STORE  
214 N. Sherman Blvd  
Milwaukee, Wisconsin

05-27-17  
05-18-17  
05-22-17  
05-23-17  
05-24-17  
05-29-17  
05-30-17  
06-05-17  
08-10-17

SECTION  
A-5

TJI ROOF TRUSS FRAMING DESIGN BY TJI  
MANUF. & APPROVED AS A COMPONENT

NOTE: HVAC UNIT TO BE ROOF MOUNTED IN APPROVED  
LOCATIONS ON CURBS W/ LOADS DISTRIBUTED PROPERLY  
ACROSS ROOF TRUSSES; TRUSSES TO BE DOUBLED UP  
UNDER EQUIPMENT LOADS; MODIFICATION OF TRUSSES  
REQUIRES WRITTEN APPROVAL FROM ARCHITECT



① FULL BUILDING SECTION  
1/2" = 1'-0"

copy for stack design group 05/27/17