

WISCONSIN DEPARTMENT OF TRANSPORTATION R.O.W.

CURVE DATA:
 R = 50'
 I = 11° 32' 13.2"
 T = 5.03'
 A = 10.07'
 C = 10.05'
 C.B. = N. 0° 56' 27" W.

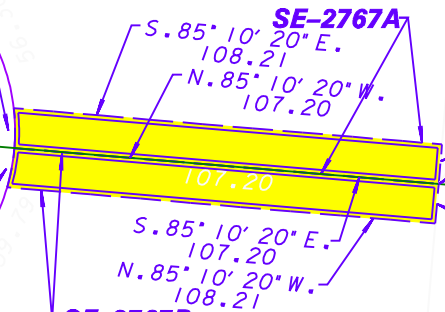
N. 99TH ST.

CURVE DATA:
 R = 50'
 I = 11° 32' 13.2"
 T = 5.03'
 A = 10.07'
 C = 10.05'
 C.B. = N. 10° 35' 44" E.

MILWAUKEE RIVER RIDGE LLC
 8552 N. 99TH ST.
 040-0301-000

MILWAUKEE RIVER RIDGE LLC
 8540 N. 99TH ST.
 040-0300-000

7
 RIVER RIDGE ADD. NO.1



POINT OF BEGINNING

S. 04° 49' 40" W. 10.00'

SEC. LINE
 SE. CORNER
 NE. 1/4 SEC. 8, T8N, R21E.

ENVIRONMENTAL ENGINEERING SECTION
INFRASTRUCTURE SERVICES DIVISION
DEPARTMENT OF PUBLIC WORKS
 MILWAUKEE, WISCONSIN

PLAN OF SEWER EASEMENT

AREA IN	N.E. 1/4 SEC. 8, T. 8 N., R. 21 E.		
8500 N. 99TH STREET			
SCALE 1" =	40'	ATLAS PAGE NO.	041
DRAWN BY	JAWISE	CHKD. BY	FSMITH
APPROVED		DATE	
APPROVED		FILE NO.	198-6-1

EASE. NO. SE_2767A&SE_2767B
 W.O. NO. SW172070106