

## Contents

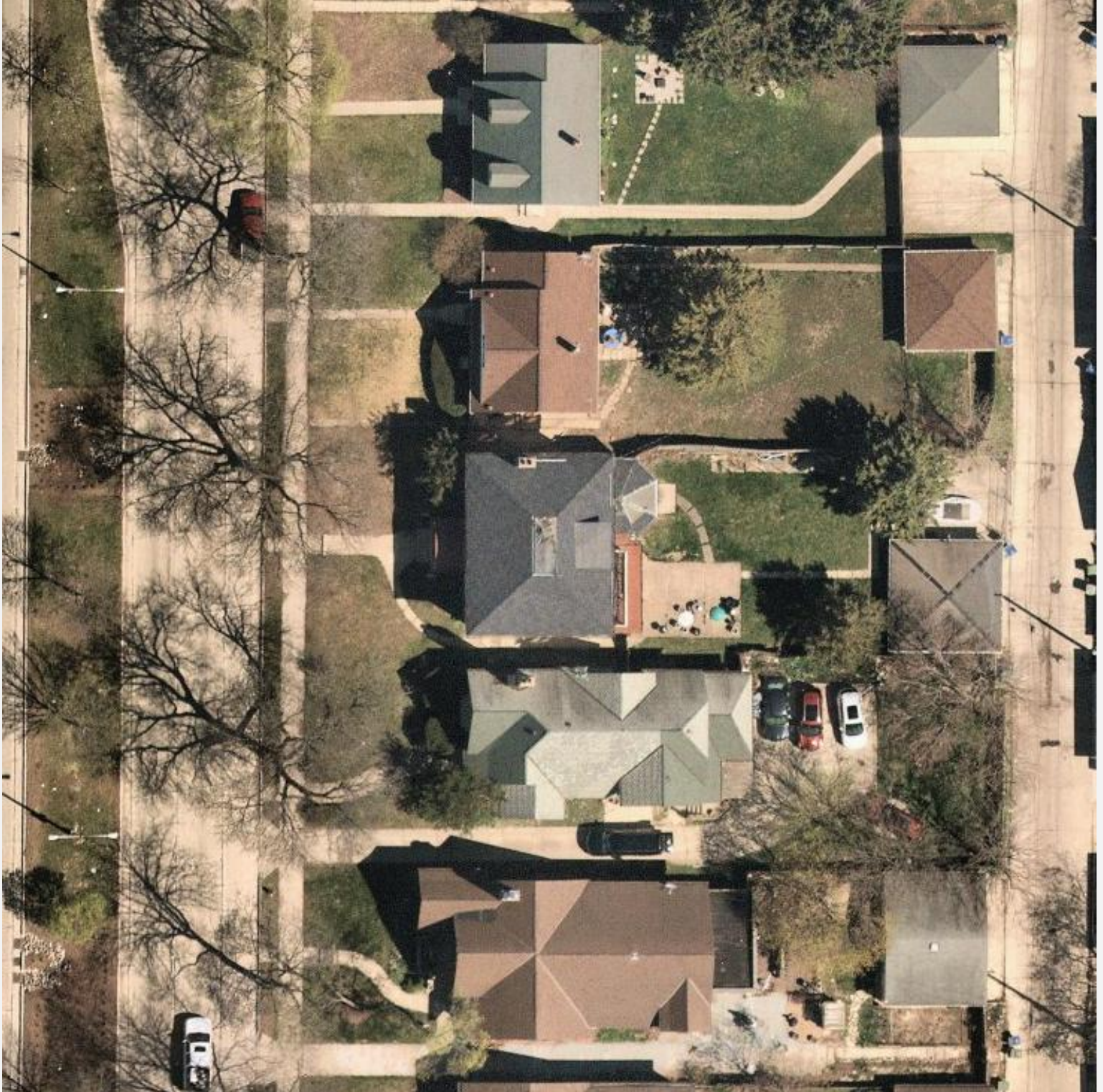
---

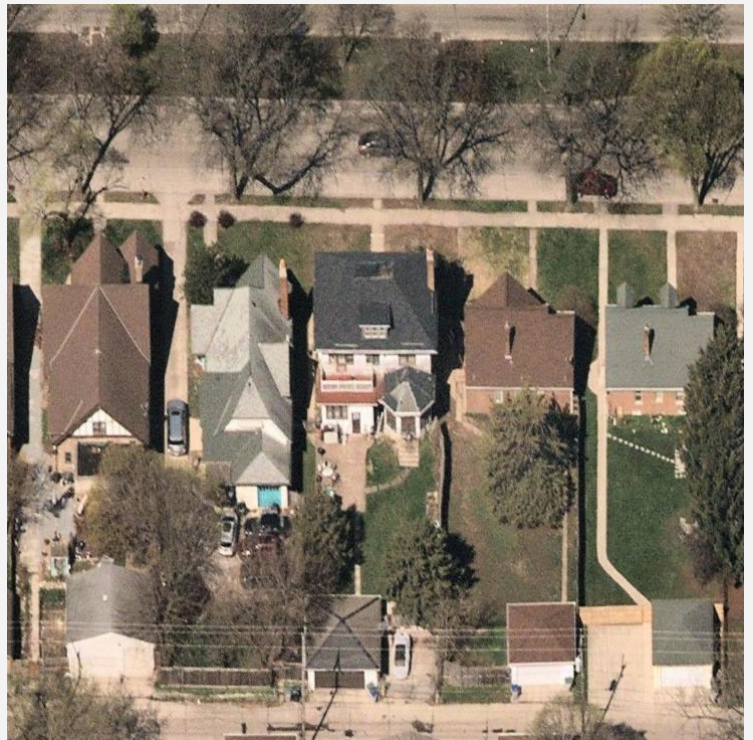
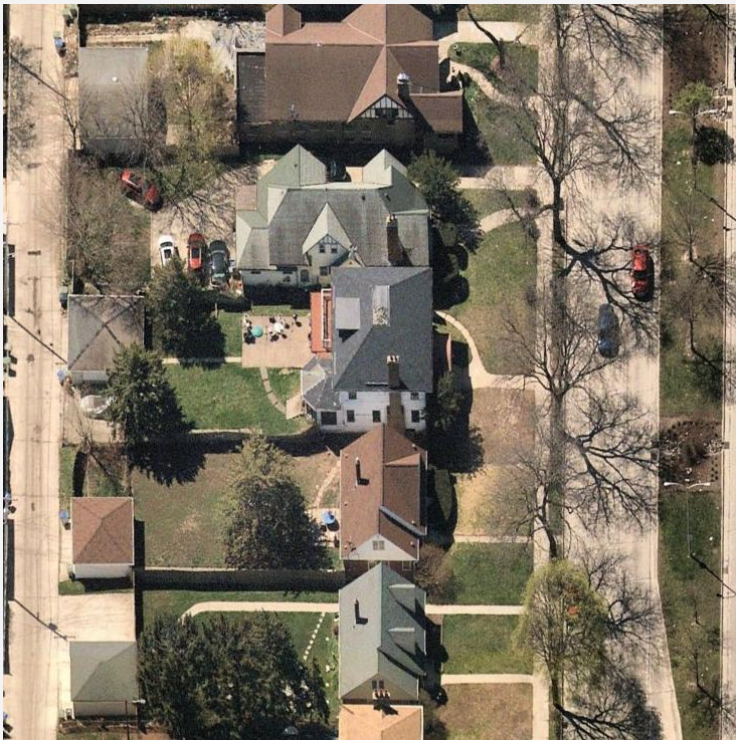
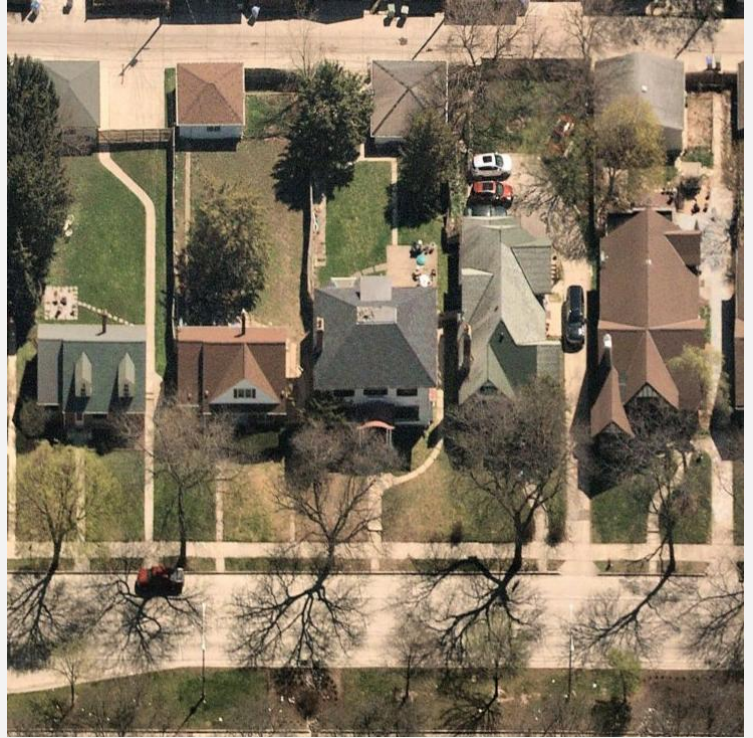
Overview	1
Top View	2
Side Views	3
Lengths	4
Pitches	5
Areas	6
Summary	7
Materials	8

## Measurements

---

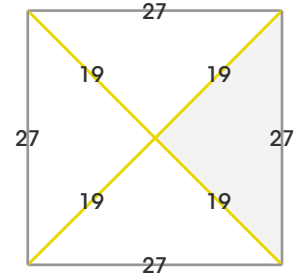
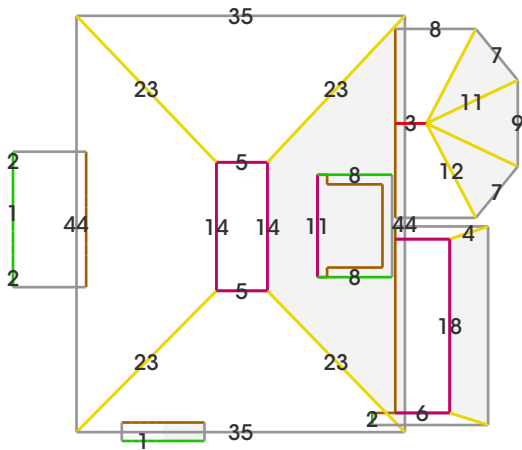
Roof Area	3,150 sq ft
Roof Facets	39
Predominant Pitch	8 / 12
Ridges/Hips	227 ft
Valleys	0 ft
Rakes	41 ft
Eaves	376 ft
Bends	78 ft





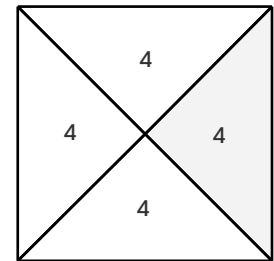
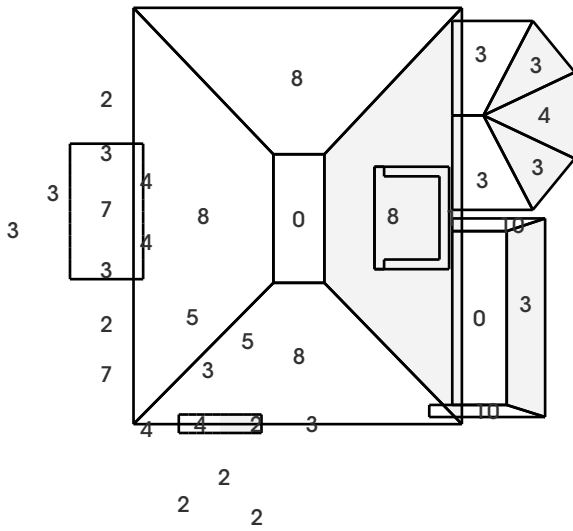


Flash	Step	Drip
31	63	418

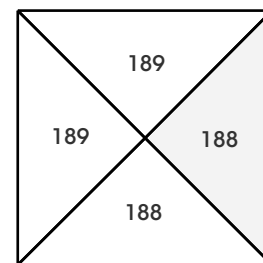
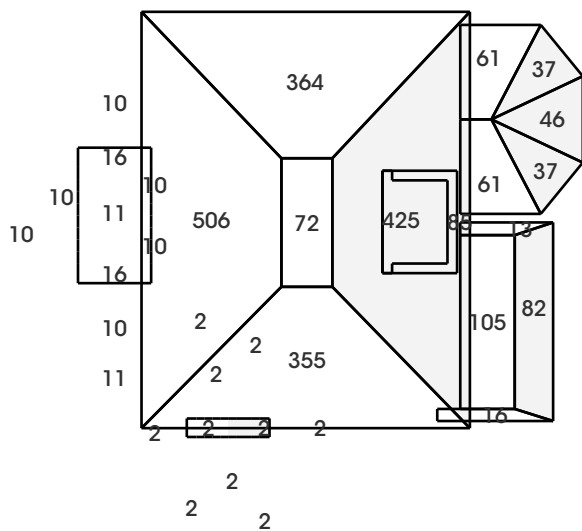


<span style="color: #800080;">■</span> Bend	<span style="color: #808080;">■</span> Eave	<span style="color: #FFD700;">■</span> Hip	<span style="color: #00FF00;">■</span> Rake	<span style="color: #FF0000;">■</span> Ridge
78	376	224	41	3

Lengths in feet



Pitches in inches per foot



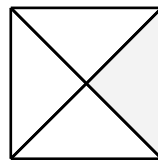
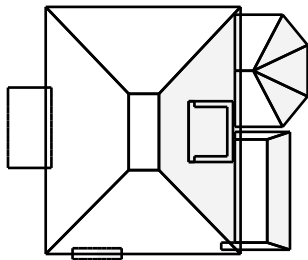
Areas in square feet



Pitch	0	1	2	3	4	5	7	8+
Area	177	85	27	333	823	4	23	1,679
Percent	6%	3%	1%	11%	26%	0%	1%	53%

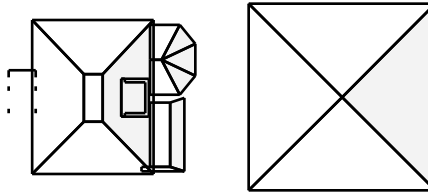
Suggested

Waste	0%	16%	19%	21%	23%	26%	31%
Area	3,150	3,654	3,749	3,812	3,875	3,969	4,127
Squares	32	37	38	39	39	40	42



<b>Roof Area</b>	3,150 sq ft
<b>Roof Facets</b>	39
<b>Pitch</b>	8 / 12
<b>Bends</b>	78 ft
<b>Eaves</b>	376 ft
<b>Hips</b>	224 ft
<b>Rakes</b>	41 ft
<b>Ridges</b>	3 ft
<b>Valleys</b>	0 ft
<b>Flash</b>	31 ft
<b>Step</b>	63 ft
<b>Drip Edge</b>	418 ft
<b>Leak Barrier</b>	770 ft
<b>Ridge Cap</b>	227 ft
<b>Starter</b>	391 ft
<b>Parapets</b>	0 ft

Notes: 1) Measurements are rounded to the nearest whole number. 2) Rakes are defined as sloped roof edges. 3) Eaves are defined as level roof edges and excludes valleys. 4) Flashing pertains to level roof edges and excludes valleys. 5) Step flashing pertains to sloped roof edges and excludes areas around penetrations. 6) Drip edge = eaves + rakes. 7) Waste table excludes additional materials needed for ridges, hips, valleys, etc. 8) Suggested waste factor is based on the roof complexity and is provided for guidance purposes only. You should confirm the appropriate waste factor prior to ordering.



<b>Roof Area</b>	2,288 sq ft	753 sq ft
<b>Roof Facets</b>	17	4
<b>Pitch</b>	8 / 12	4 / 12
<b>Bends</b>	78 ft	0 ft
<b>Eaves</b>	248 ft	107 ft
<b>Hips</b>	147 ft	78 ft
<b>Rakes</b>	22 ft	0 ft
<b>Ridges</b>	3 ft	0 ft
<b>Valleys</b>	0 ft	0 ft
<b>Flash</b>	31 ft	0 ft
<b>Step</b>	42 ft	0 ft
<b>Drip Edge</b>	270 ft	107 ft
<b>Leak Barrier</b>	518 ft	185 ft
<b>Ridge Cap</b>	150 ft	78 ft
<b>Starter</b>	244 ft	107 ft
<b>Parapets</b>	0 ft	0 ft





	Waste	0%	16%	Suggested 21%	26%
<b>Timberline Products</b>					
HDZ, HD, Natural Shadow, American Harvest, Reflector, Royal Sovereign, and Cool Series	bundle	89	103	107	111
<b>Low-Slope Roofing System *</b>					
Liberty Base/Ply Sheet	roll	1	1	1	1
Liberty Cap Sheet	roll	1	1	2	2
<b>Starter</b>					
WeatherBlocker	bundle	4	5	5	5
Pro-Start	bundle	4	4	4	5
Quick-Start	roll	12	14	15	15
<b>Roof Deck Protection *</b>					
Deck-Armor, Tiger Paw, FeltBuster 10 sq	roll	3	4	4	4
Shingle-Mate	roll	8	9	9	10
VersaShield	roll	9	10	10	11
<b>Leak Barrier *</b>					
StormGuard, WeatherWatch 2 sq	roll	12	14	14	15
WeatherWatch 1.5 sq	roll	16	18	19	20
<b>Ridge Cap</b>					
Seal-A-Ridge	bundle	10	11	12	12
TimberTex	bundle	12	14	14	15
Z-Ridge	bundle	7	8	9	9
TimberCrest	box	12	14	14	15
<b>Attic Ventilation</b>					
Cobra 4' Plastic Ridge Vents	foot	39			
Master Flow SSB960 Metal Slant-Black	vent	12			
Master Flow High-Capacity Dome Vent	vent	5			
Cobra IntakePro Rooftop Intake	foot	78			

Notes: 1) These approximate quantities are based on estimated measurements and are for guidance purposes only. You should always confirm quantities prior to ordering and ensure you are following local building code requirements. 2) For Timberline, 3 bundles = 0.984 squares. 3) Starter = eaves + rakes. 4) Leak barrier = bends + eaves + flashing + hips + rakes + step + valleys. 5) Ridge cap = hips + ridges. 6) Estimated quantity of attic ventilation products based solely on exterior roof area and intended for estimating purposes only. Installer must verify attic floor square footage, roof design, local code requirements, quantity/type/approved roof pitch of recommended vent products, and conditioned space under the roof. Always have a balanced attic ventilation system. In no case should the amount of exhaust ventilation exceed the amount of intake ventilation. For more info, visit [gaf.com/ventcalculator](http://gaf.com/ventcalculator). 7) Low-slope products applied to 1/12 pitch areas. 8) Timberline products applied to 2/12 pitch areas and above.

\* Installed coverage will be less and depend on quantity and width of side and end laps.



**GAF Project**

Sell in the home or virtually with a streamlined digital sales tool

**GAF WeatherHub** | Powered by **AccuWeather**  
Weather Data On Demand

©2022 GAF 5/22 • #906 • RESGNB15.PDF

**Be first to the door after the storm**

- 3-year wind and hail history by address
- Find high-quality leads
- Plan your jobs with superior forecasting

Get started at [gaf.com/WeatherHub](https://gaf.com/WeatherHub)

We protect what matters most™