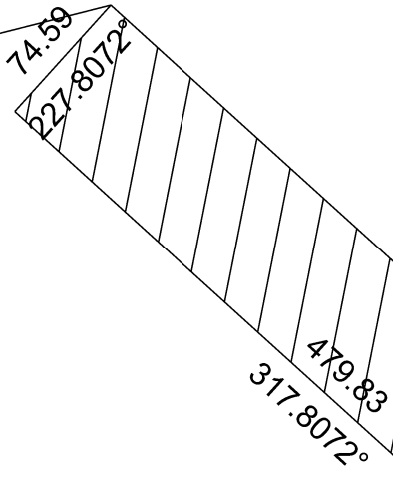
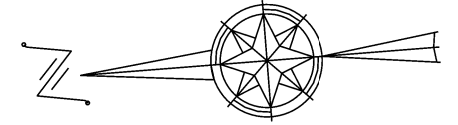
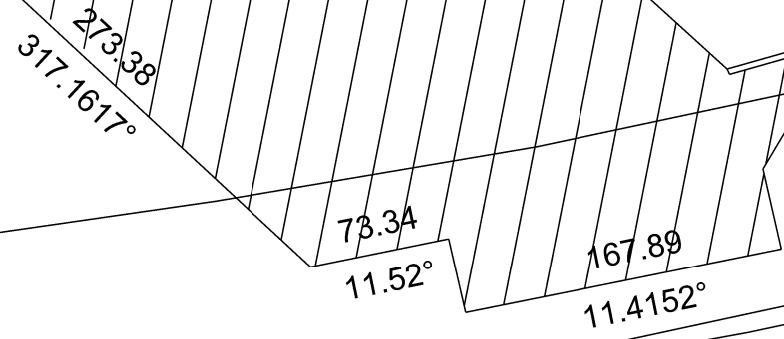
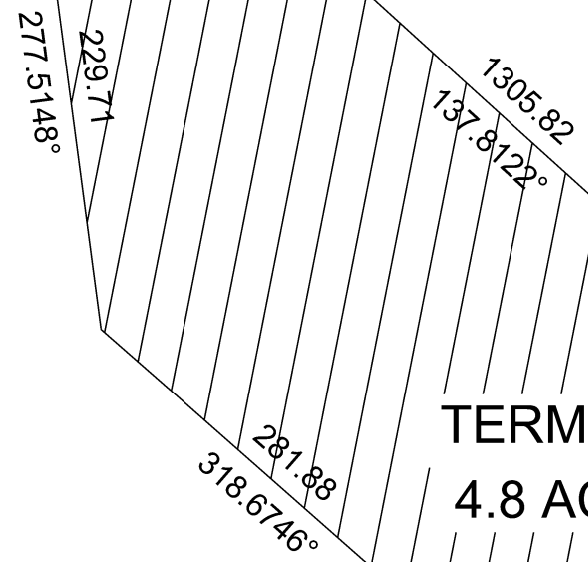
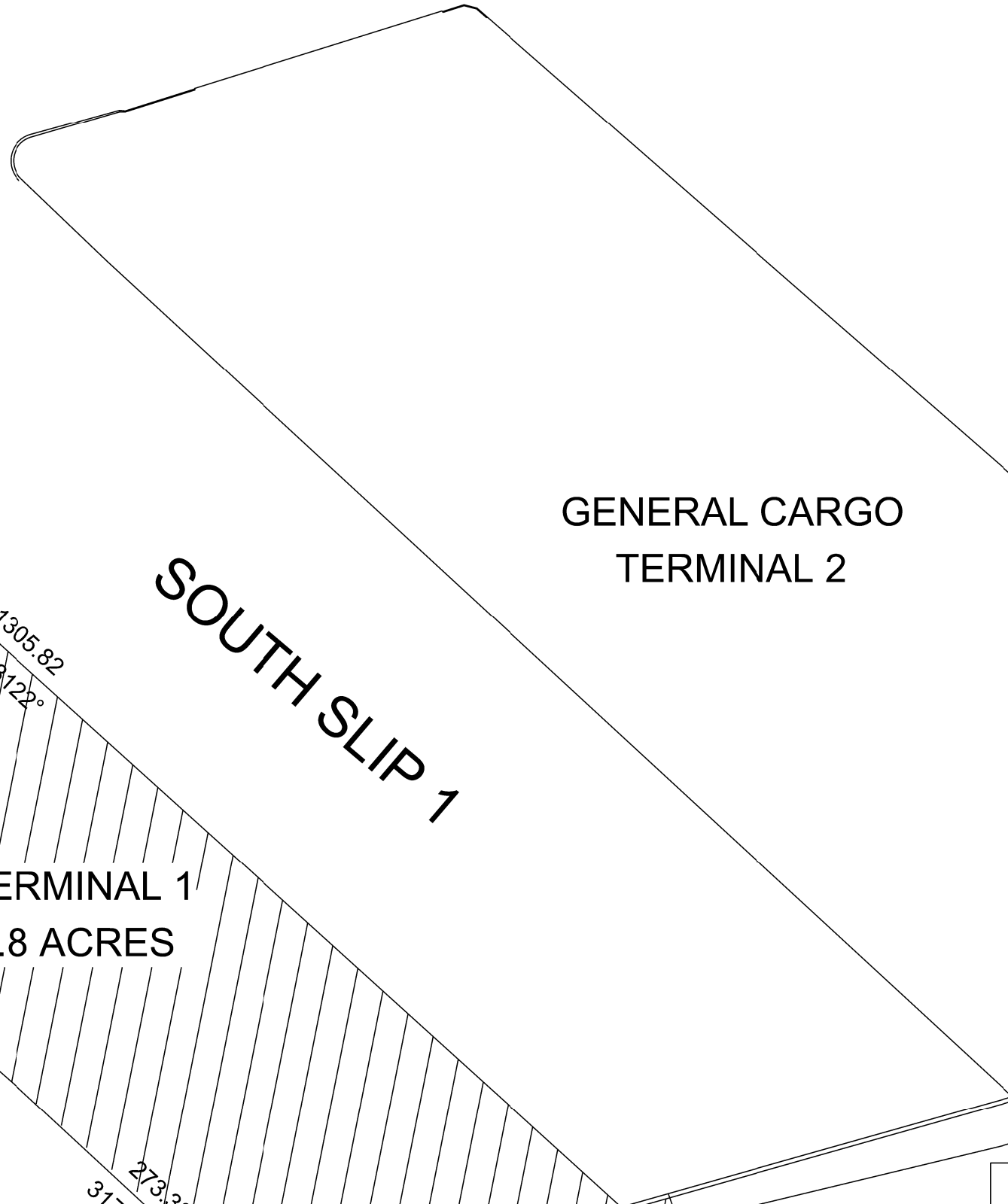


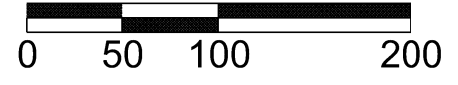
LAKE MICHIGAN



M.M.S.D.



I-794



BOARD OF HARBOR COMMISSIONERS CITY OF MILWAUKEE	
PORT MILWAUKEE MILWAUKEE BULK TERMINALS LLC RIGHT OF FIRST REFUSAL "EXHIBIT C"	
DRAWN BY: M.T.G.	DATE: NOVEMBER 2, 2018
CHECKED BY:	SCALE: 1" = 100'
CORRECT:	APPROVED:
HARBOR ENGINEER	MUNICIPAL PORT DIRECTOR