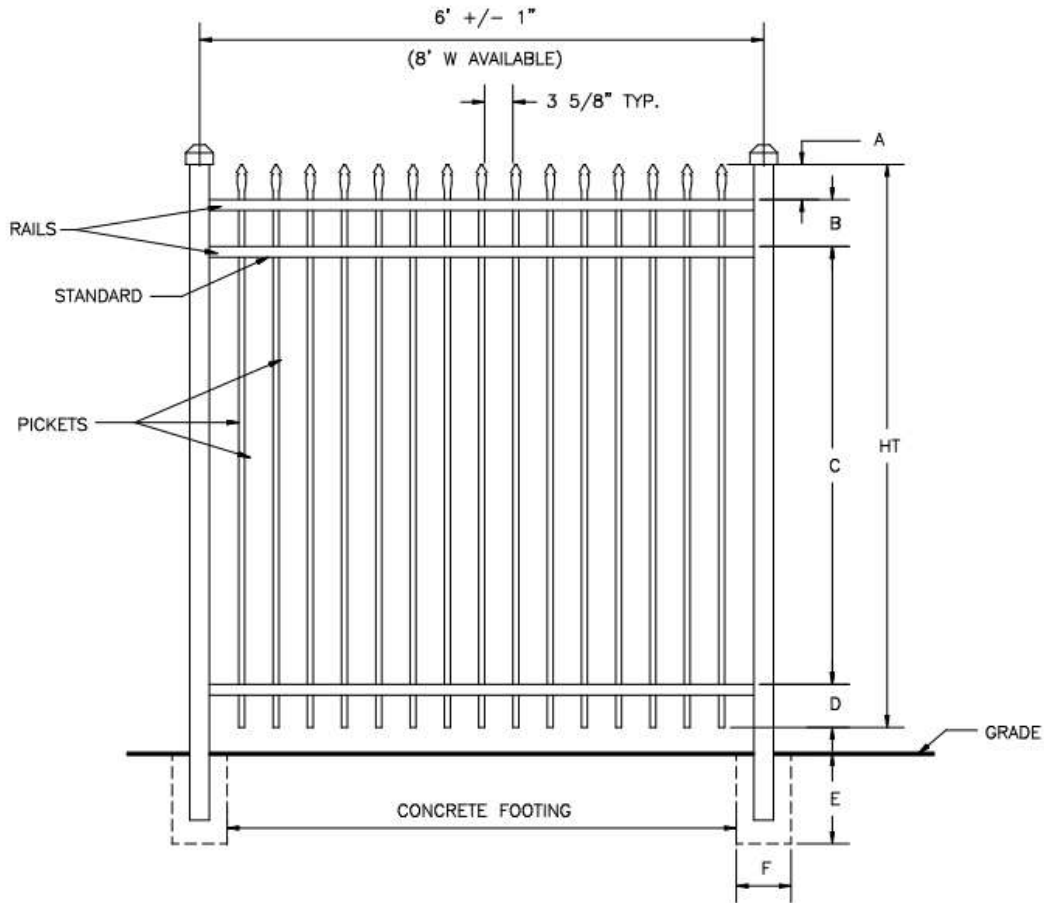


## Commercial Aluminum Fence Panel - STYLE 1



SPECIFICATIONS COMMERCIAL	
POSTS	2"x2"x.080 WALL 2"x2"x.125 WALL 2 1/2"x2 1/2"x.100 WALL 3"x3"x.125 WALL
HORIZONTAL RAILS SIDE WALLS TOP WALLS	1 3/8" x 1 1/4" .088" .065"
PICKETS PICKET SPACING	3/4"x3/4"x.055 WALL 3 5/8"
AVAILABLE HEIGHTS	3, 3 1/2, 4, 5 & 6 FT.
AVAILABLE WIDTHS	5, 6, 7, & 8 FT.

DIMENSIONS						
HT	A	B	C	D	E	F
3'	4 1/2"	6"	20"	5 1/2"	PER LOCAL CODE	
3 1/2'	4 1/2"	6"	26"	5 1/2"	PER LOCAL CODE	
4'	4 1/2"	6"	32"	5 1/2"	PER LOCAL CODE	
5'	4 1/2"	6"	44"	5 1/2"	PER LOCAL CODE	
6'	4 1/2"	6"	56"	5 1/2"	PER LOCAL CODE	
ALL DIMENSIONS ARE NOMINAL						



BBB Rating: A+  
as of 4/26/2014  
Click for Review

A black wrought-iron fence with decorative finials and brick pillars stands in front of a large brick building. The fence is made of vertical bars with pointed tops. The brick pillars are made of red bricks with white concrete caps. The building in the background is a multi-story brick structure with many windows. There is a grassy area in front of the fence and a paved area with a bench near the building entrance.

[GreatFence.com](http://GreatFence.com)





[GreatFence.com](http://GreatFence.com)

# GREAT FENCE.COM

**100% MADE IN THE USA**

## COMMERCIAL STYLE 1 SPECIFICATIONS

**Horizontal Rails: 1 3/8" x 1 1/4"**

**Side Walls: .088"**

**Top Walls: .065"**

**Internal: 8 Metal Support Ribs**

ADDING RINGS TO YOUR FENCE PANEL DECREASES "B"

**Pickets: 3/4" x 3/4" x .055"**

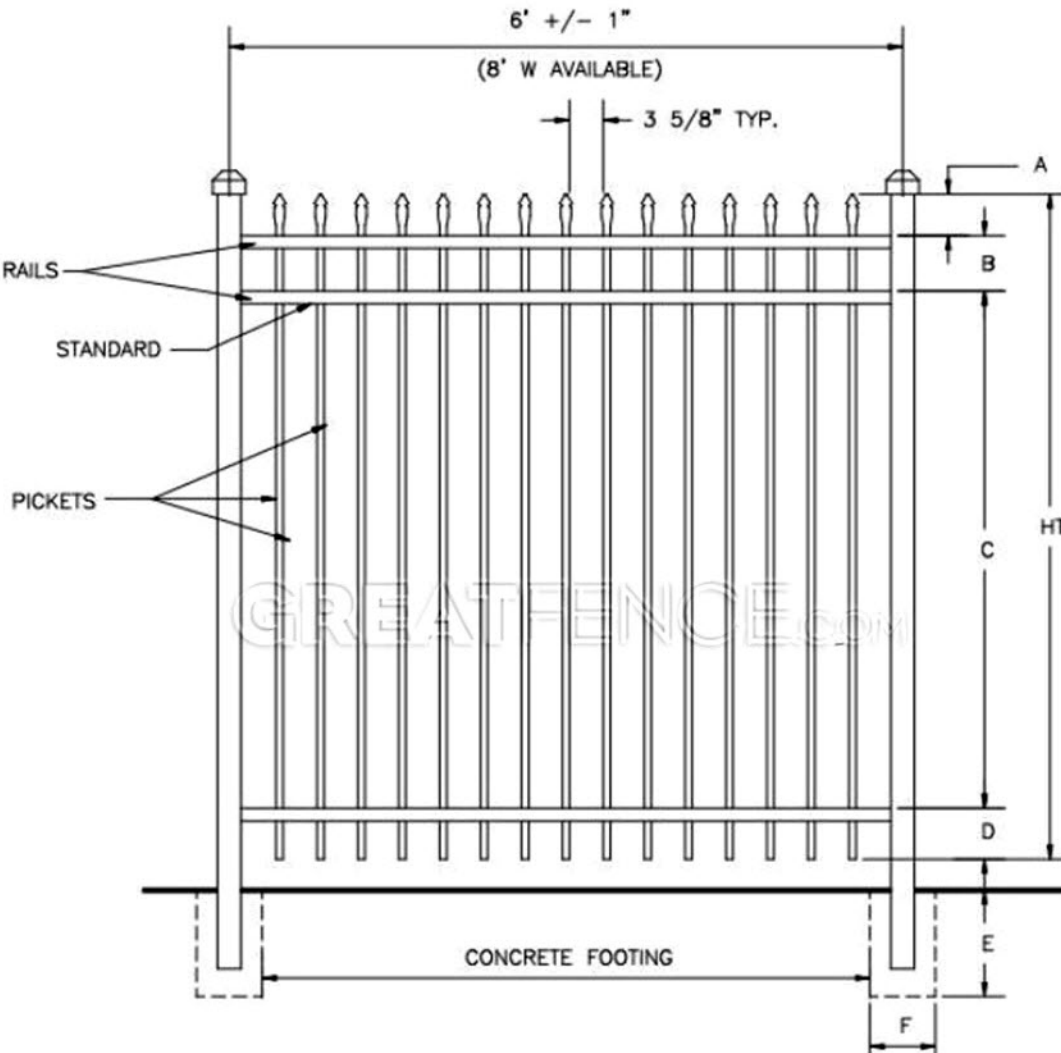
**Picket Spacing: 3 5/8"**

**Powder Coat: 2604-5 AAMA**

**Lifetime Warranty: No Rusting**

## DIMENSIONS

HT	A	B	C	D	E	F
36"	4 1/2"	6"	20"	5 1/2"	PER LOCAL CODE	
42"	4 1/2"	6"	26"	5 1/2"	PER LOCAL CODE	
48"	4 1/2"	6"	32"	5 1/2"	PER LOCAL CODE	
54"	4 1/2"	6"	38"	5 1/2"	PER LOCAL CODE	
60"	4 1/2"	6"	44"	5 1/2"	PER LOCAL CODE	
72"	4 1/2"	6"	56"	5 1/2"	PER LOCAL CODE	



**POSTS PURCHASED SEPARATELY**



Pressed  
Spear



Flat Cap  
& plugged



**TYPE A  
FINIAL**



**TYPE B  
FINIAL**

**Finials are made of a heavy, aluminum metal and powder coated.**



## Heavy Duty Gate Hinge



The ultimate gate hinge, our Heavy Duty Gate Hinge is comprised of 4 parts:

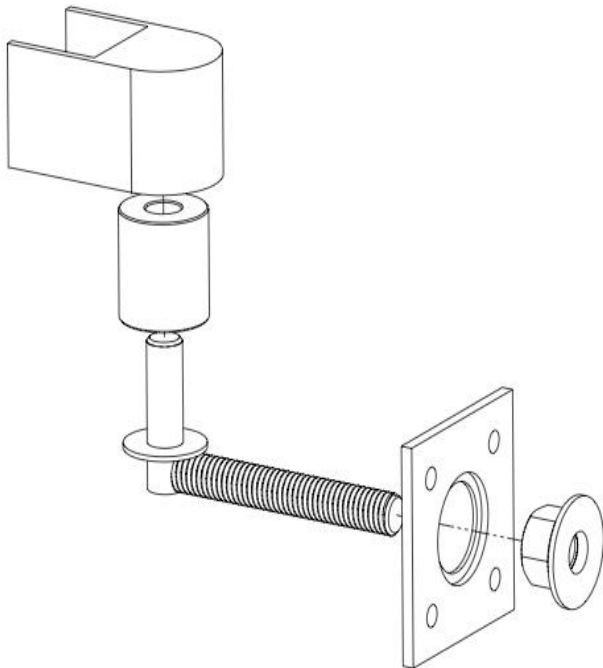
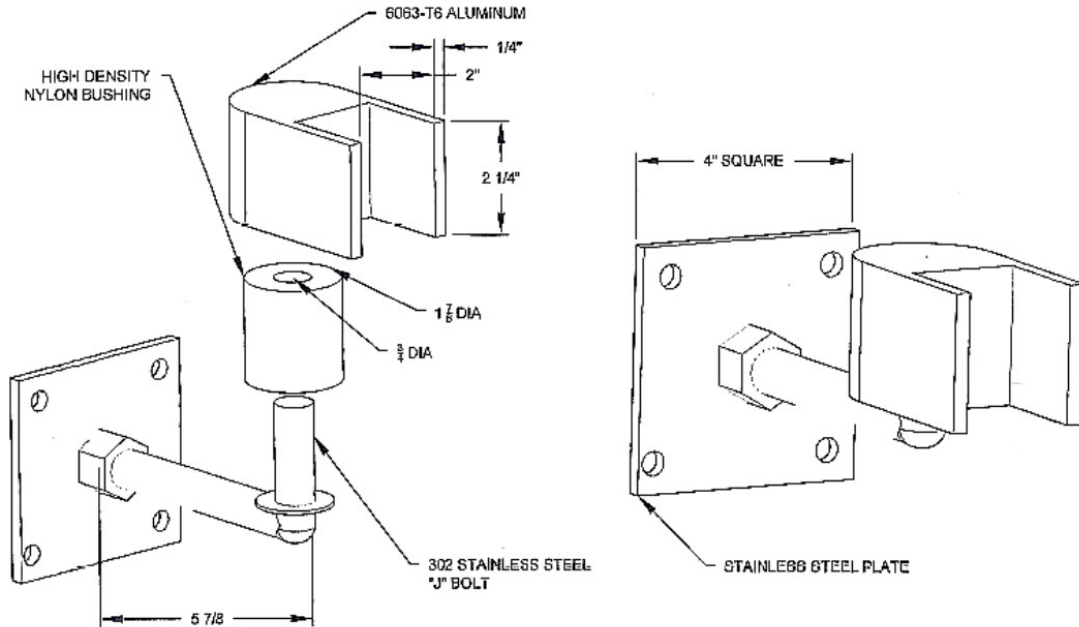
**1) Receiver 2) J-Bolt 3) Bushing and 3) 4x4 Plate**

The receivers are welded onto your gate-FRAME(s) at the factory, everything else is shipped in separate packaging. The HD Hinge comes in pairs. 1 pair for single gates, 2 pairs for double drive gates.



**CONTINUED...**

## Heavy Duty Gate Hinge Installation



When connecting your large gate using these hinges to your own on-site structure (house, building, column), you will need to purchase your own stainless steel bolts locally based upon the type of material you are mounting it to. Use 3/8" x 5" bolts and locknuts.

When purchasing our 4" x 4" posts along with these hinges, you can also order 8 bolts and 8 nuts. If you're mounting this hinge to your own structure (house, building, wall or column), then you must purchase anchor bolts locally. Set the 4" x 4" plate (above, left side) on your structure (house, building, column) or on our 4" x 4" posts and mark it for pre-drilling the holes.

When using our 4" x 4" posts you will drill all the way through our posts. Do the bottom plate first. Once the bottom plate is bolted on (your structure or our 4" x 4" posts), you will have to set the gate on the bottom hinge temporarily in order to mark and drill the top plate. Once this is done, it's just a matter of running a line level (string) from the hinges you just installed across to your other post or structure (house, building, column), to insure gate alignment.

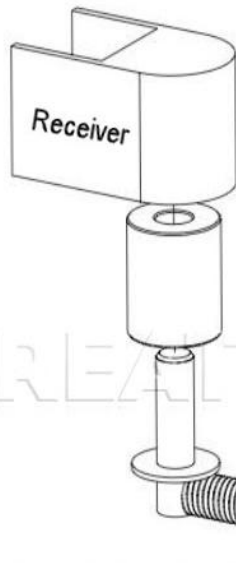
**The plate with 4 pre-drilled holes mounts to our 4" x 4" posts OR your existing structure. You can adjust the 5 7/8 stainless steel bolt out to 5 1/2" spacing or you can dial it in to 2 1/4" spacing after drilling a hole, on-site, in your post to receive the bolt. Min. 2 1/4" allows rotation 15 degrees past 90 degrees and Max. 5 1/2" allows 50 degrees past 90 degrees.**



**GREATFENCE.COM**

© 2017 GreatFence.com, Inc. All rights reserved.

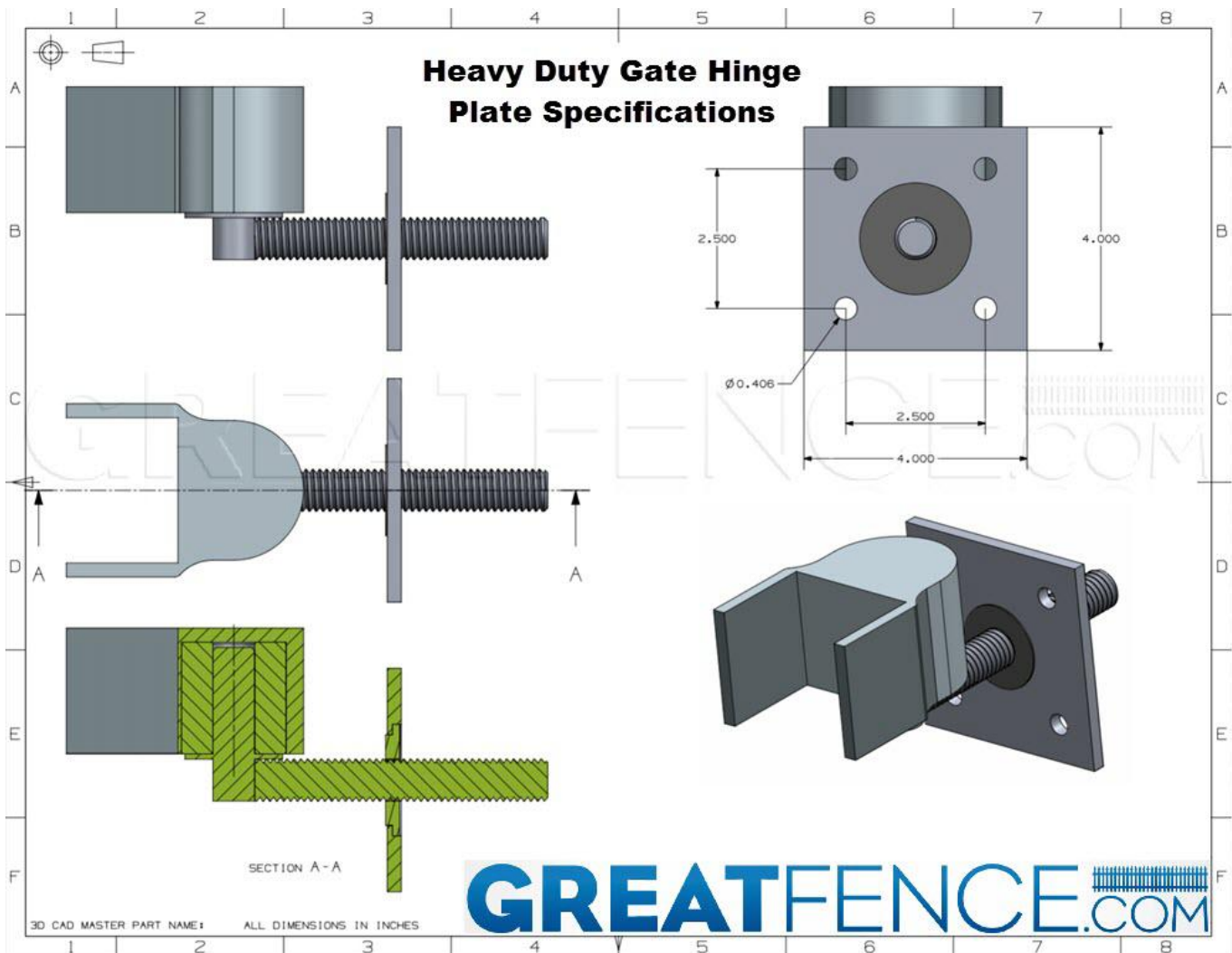




**Receiver Welded on to your gate frame at the factory. J-Bolt, 4x4 plate and bushing packaged separately**

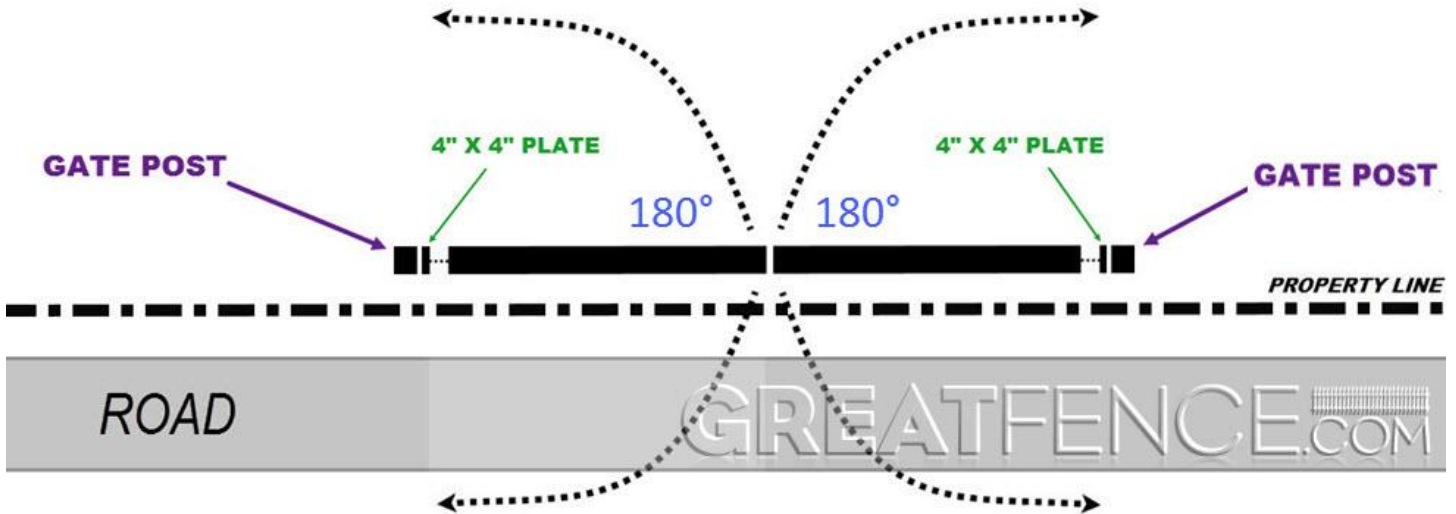
GREATFENCE.COM

**Horizontal adjustability during or even post-installation.**

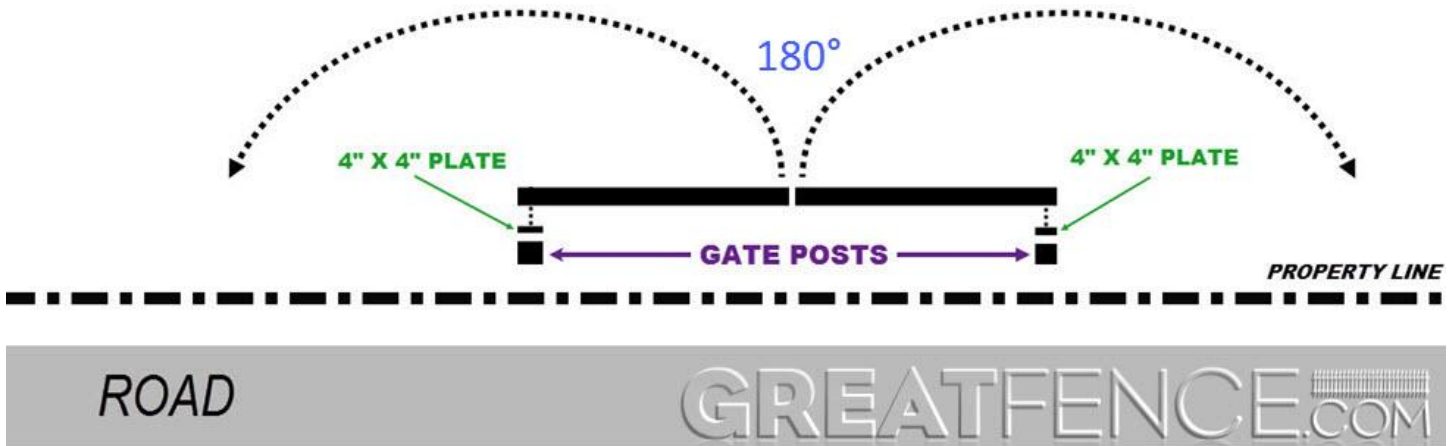


**NOTE: Standard Gate hinges and Tru-Close, self closing hinges** will only allow the gate leaves to swing open approximately 90 degrees. **Heavy Duty Gate Hinges**, however, will allow a 180 degree swing. However, depending your situation and needs, you will need to choose 1 of 2 optional installation techniques. See below:

## Heavy Duty Gate Hinge - Typical Installation



### INSTALLING HD GATE HINGES ON THE ADJACENT (BACK FACIA) SIDE OF BOTH GATE POSTS ALLOWS THE GATE LEAFS TO FOLD BACK TO PROPERTY LINE



**NOTE: You can lose up to 12 inches in your gate opening** when installing the gate hinges on the adjacent (Back Facia) side of both gate posts. Remember, the *actual* width of the gate you order is approximately 10 inches less because gate widths include the spacing for the hinges. Now, take this one step further by installing the hinges on the back facia side of the gate posts and you can lose **up to an additional 8 - 12 inches** of gate opening width depending on whether you're using 4" x 4" or 6" x 6" gate posts. Please plan accordingly.



## **STYLE 1**

Posts purchased separately



# Standard

Install straight or shift on-site during installation...



up to 6 inches per panel

# Rackable

Install straight or shift on-site  
during installation...



up to 20 inches per panel

# Heavy Rackable

Install straight or shift on-site  
during installation...



up to 36 inches per panel

**vertical swivel mounts  
sold separately**





GREATFENCE.COM

GREATFENCE.COM

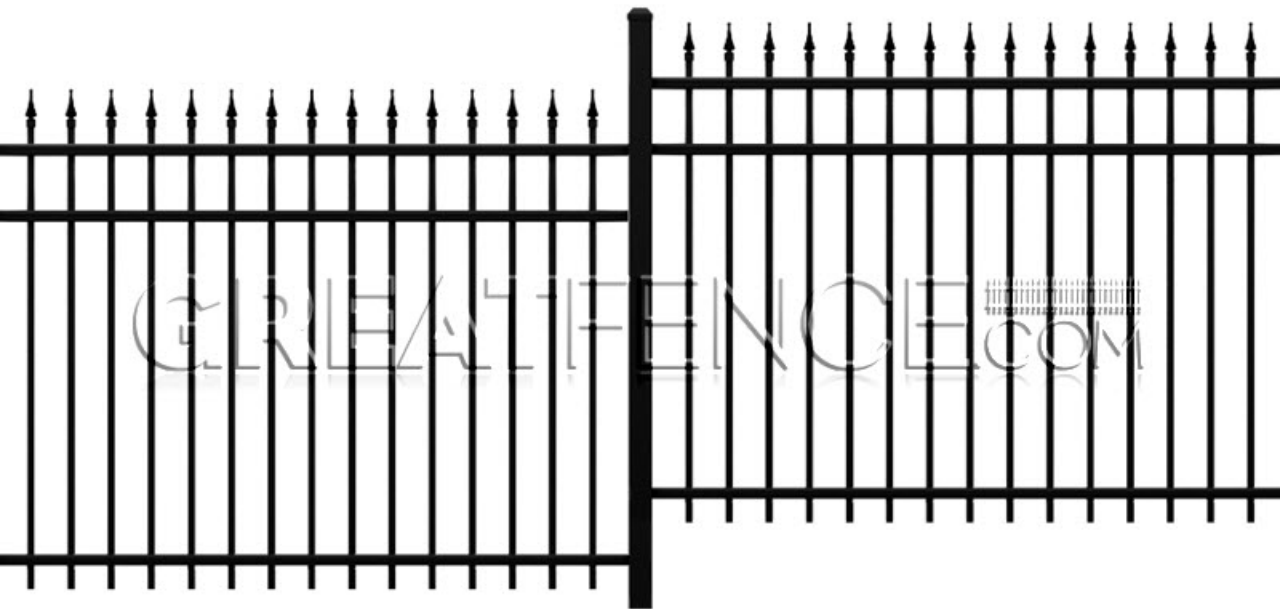
GREATFENCE.COM



POWDER  
COATED  
**TOUGH**™

# STAIR STEP

Order Standard Panels + Blank Stair Step Posts + Mounts



# MORE THAN MEETS THE EYE

## RUST FREE

5/8"

Residential

3/4"

Commercial

1"

INDUSTRIAL

HEAVY INDUSTRIAL

Call for pricing

1"

*Lifetime Warranty*

# **SHIPS DIRECT**

TO YOUR HOME OR BUSINESS ANYWHERE IN THE USA!