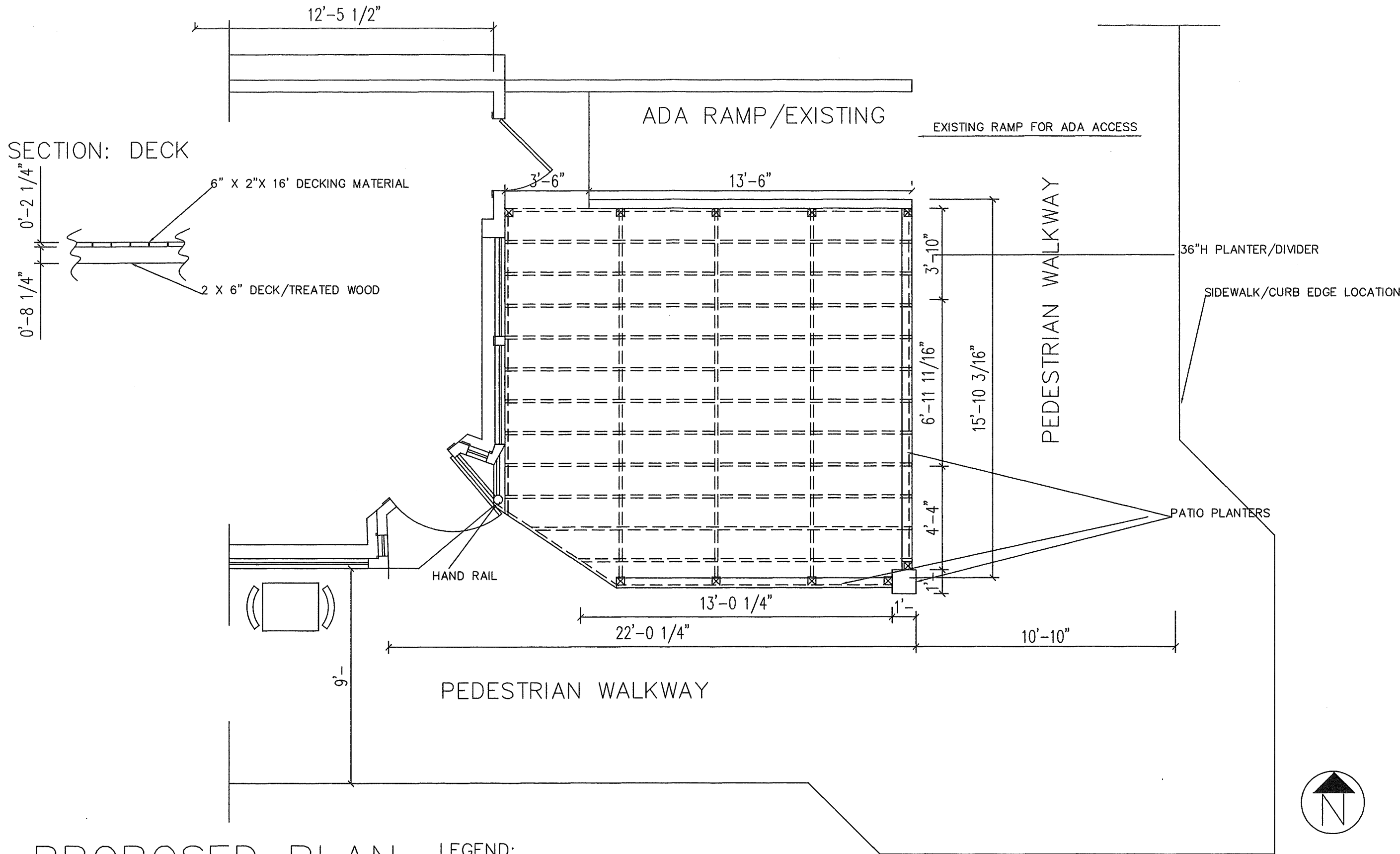


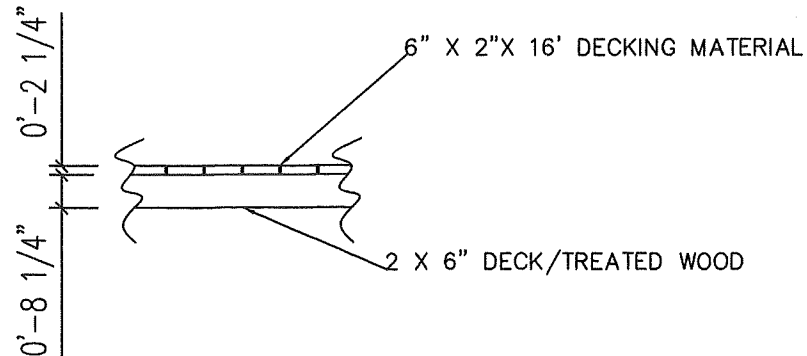
EXISTING PLAN



i.e. DESIGN <small>100 E. MELIUS STREET MILWAUKEE WISCONSIN 53202</small>	PROJECT: Thai-namite Restuarant 932 Brady Street Milwaukee WI 53202	SCALE: 1/4" = 1' - DATE: -4/24/19 REVISION: -4/30/19	ALL SIZE DESIGNATIONS & DIMENSIONS GIVEN ARE SUBJECT TO VERIFICATION ON JOB SITE AND ADJUSTMENT TO FIT JOB CONDITIONS.	THIS IS AN ORIGINAL DESIGN AND MUST NOT BE RELEASED OR COPIED UNLESS APPLICABLE FEE HAS BEEN PAID OR JOB ORDER PLACED.	PAGE: 1 of 1
	PEDESTRIAN WALKWAY				



SECTION: DECK

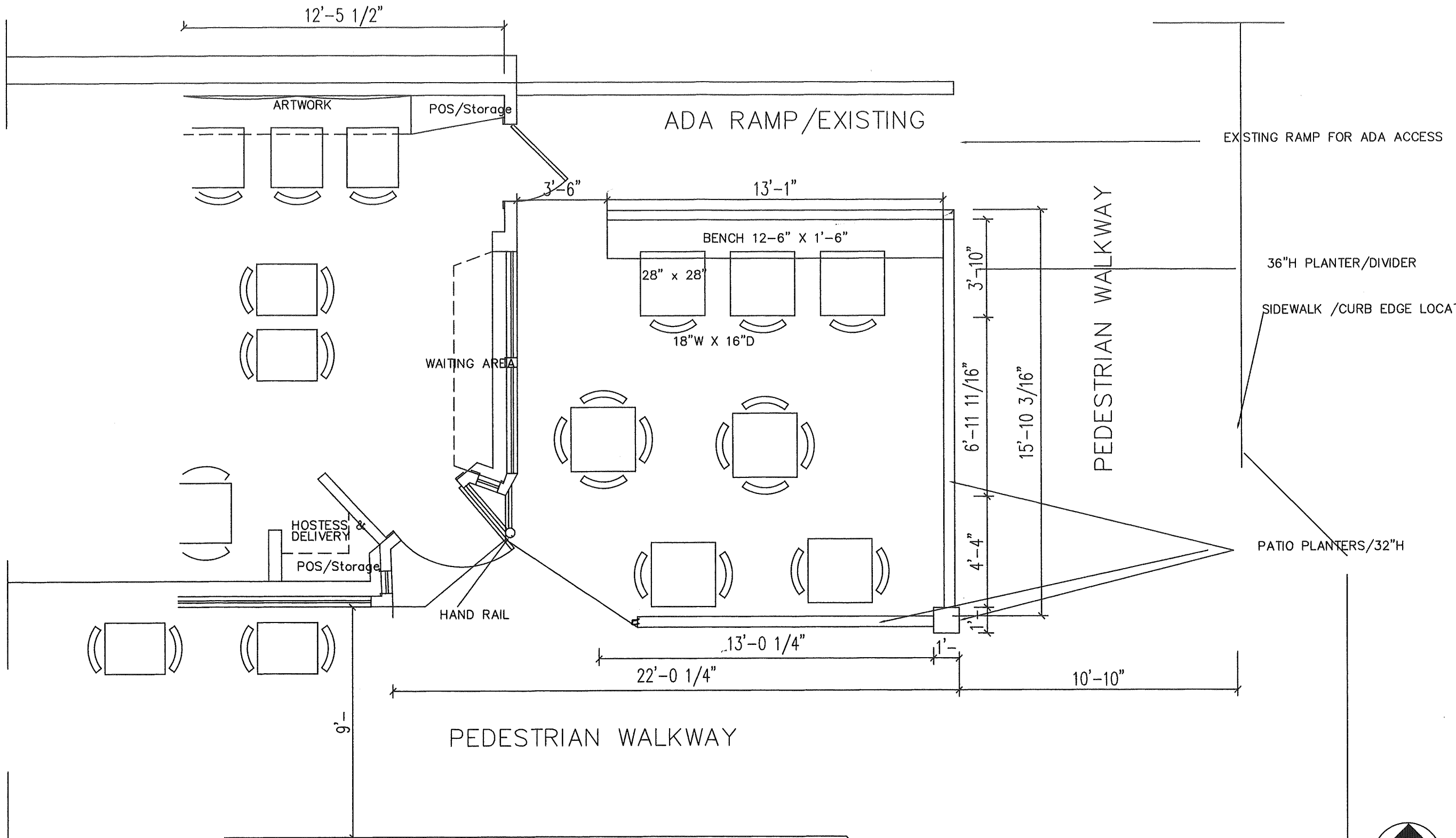


PROPOSED PLAN

LEGEND:

- OVERALL SIDEWALK DINING 255 SQ FT.
- ALL TABLES 28" X 28" SQUARE, CHAIRS 18' X 16"
- CORNER SUPPORT METAL STUD FRAME SECURED TO CONCRETE





PROPOSED PLAN

LEGEND:
 OVERALL SIDEWALK DINING 255 SQ. FT.
 ALL TABLES 28" X 28" SQUARE
 ALL CHAIRS 18"S X 16"D
 Colleen Thompson, 414-378-5569



PAGE: 1 of 1

THIS IS AN ORIGINAL DESIGN AND MUST NOT BE RELEASED OR COPIED UNLESS APPLICABLE FEE HAS BEEN PAID OR JOB ORDER PLACED.

ALL SIZE DESIGNATIONS & DIMENSIONS GIVEN ARE SUBJECT TO VERIFICATION ON JOB SITE AND ADJUSTMENT TO FIT JOB CONDITIONS.

SCALE: 1/4" = 1' -

DATE: -4/24/19

REVISION: -4/30/19

PROJECT: Thai-namite Restuarant
 932 Brady Street

i.e. DESIGN