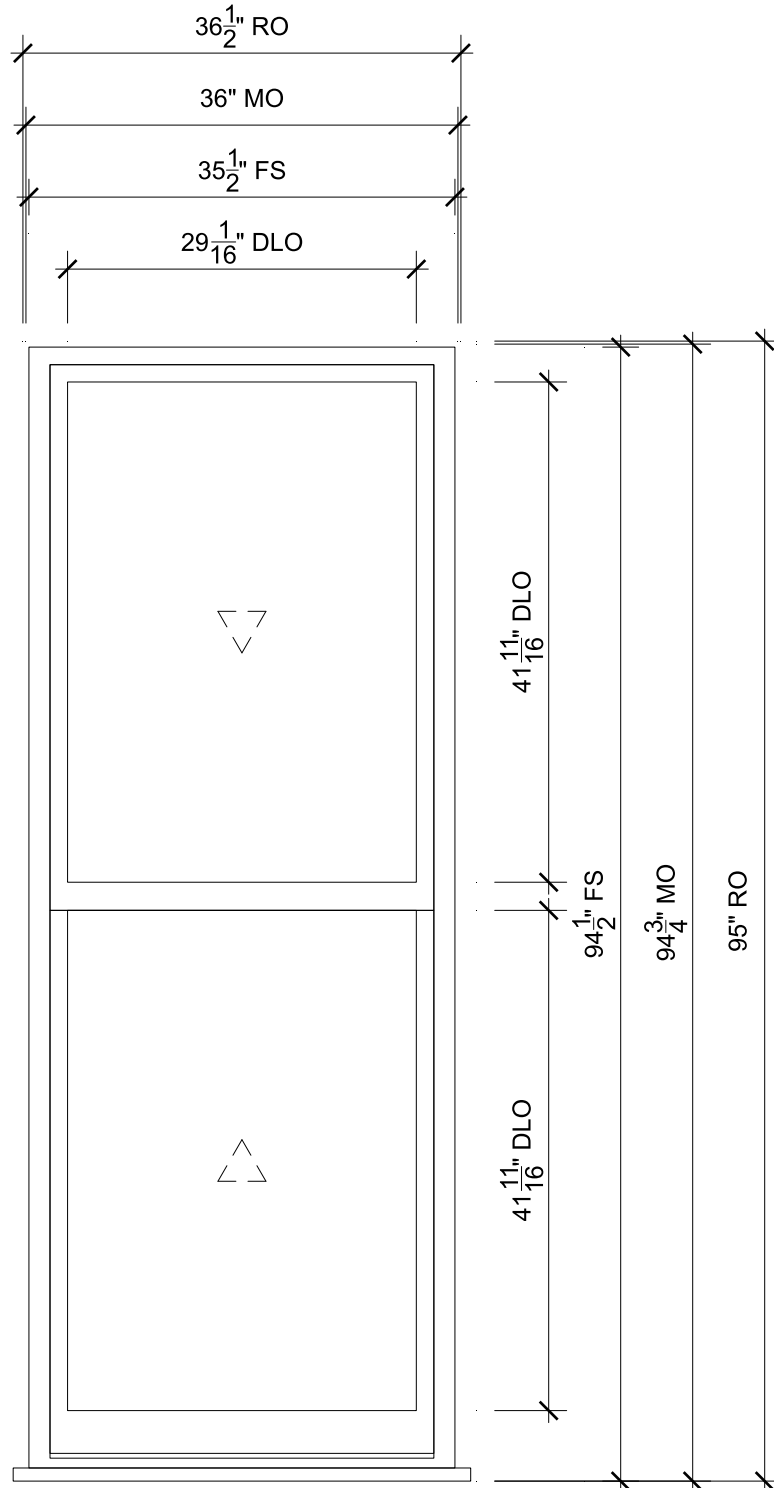


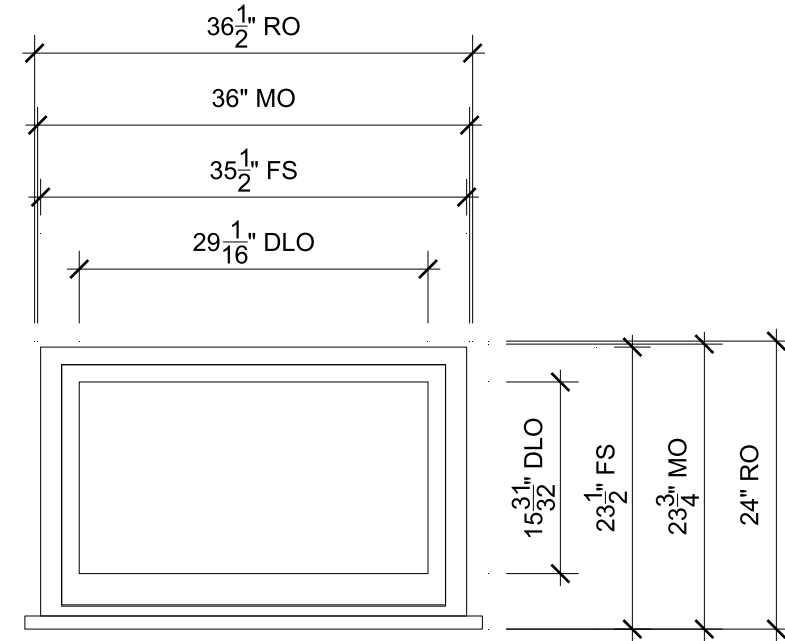
**A**  
SCALE: 3/4" = 1'-0"

- 1  
2 Head
- 2  
2 Jamb
- 3  
2 Sill
- 4  
2 Checkrail



**B DH**  
SCALE: 3/4" = 1'-0"

- 1  
2 Head
- 2  
2 Jamb
- 3  
2 Sill
- 4  
2 Checkrail



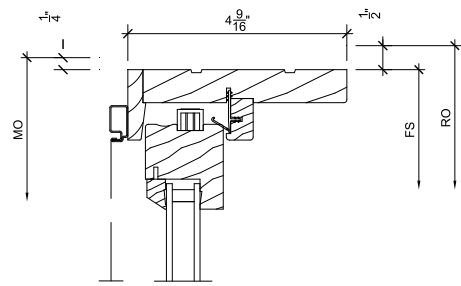
**B TR**  
SCALE: 3/4" = 1'-0"

- 5  
2 Head
- 6  
2 Jamb
- 7  
2 Sill

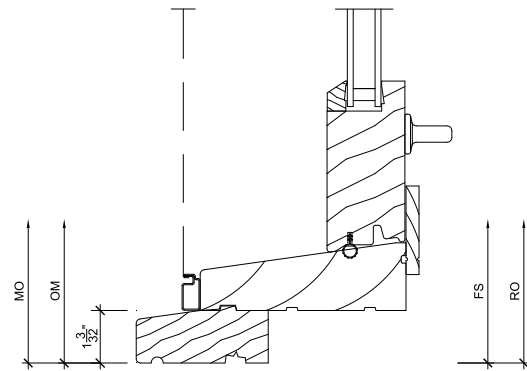


**ORDERING PRODUCTS WITH REFERENCE TO SHOP DRAWINGS:**  
Before ordering the Marvin products illustrated within these shop drawings, a copy of these drawings accompanied by an approved signature of the purchaser must be returned to the Architectural Division at Marvin Windows & Doors, P.O. Box 100, Warrroad, Minnesota 55763. If the Marvin products included herein are ordered without reference to the approved shop drawings, Marvin Windows and Doors assumes no responsibility in guaranteeing product coordination with the drawings.

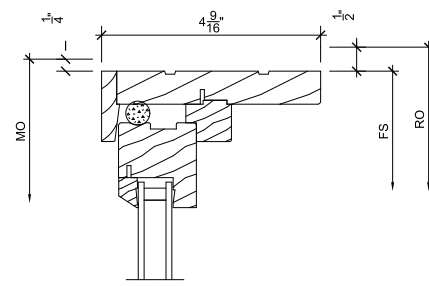
PROJ/JOB: Dan Keehn Residence / Window Replacement  
DIST/DEALER: GORDON SOLUTIONS LLC  
DRAWN: SHERYL GORDON  
QUOTE#: J5HUA65 PK VER: 0002.29.00 CREATED: 11/12/2019 REVISION:



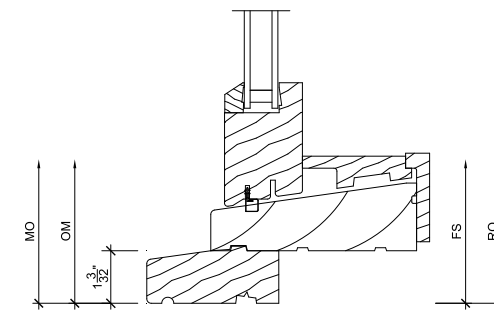
1 Head  
2 SCALE: 3" = 1'-0"



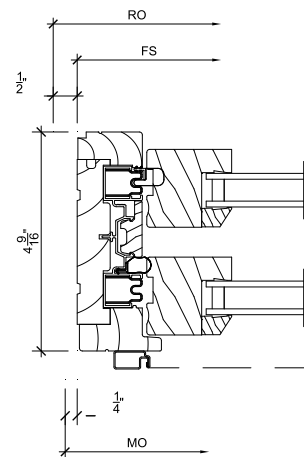
3 Sill  
2 SCALE: 3" = 1'-0"



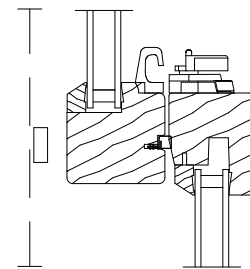
5 Head  
2 SCALE: 3" = 1'-0"



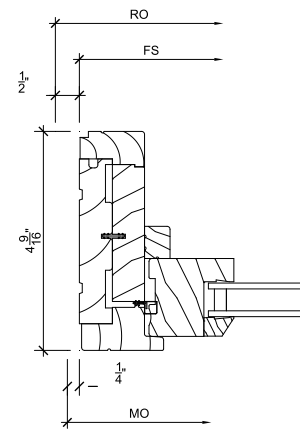
7 Sill  
2 SCALE: 3" = 1'-0"



2 Jamb  
2 SCALE: 3" = 1'-0"



4 Checkrail  
2 SCALE: 3" = 1'-0"



6 Jamb  
2 SCALE: 3" = 1'-0"

8 NOT USED  
2 SCALE: 3" = 1'-0"



**ORDERING PRODUCTS WITH REFERENCE TO SHOP DRAWINGS:**  
 Before ordering the Marvin products illustrated within these shop drawings, a copy of these drawings accompanied by an approved signature of the purchaser must be returned to the Architectural Division at Marvin Windows & Doors, P.O. Box 100, Warrond, Minnesota 55763. If the Marvin products included herein are ordered without reference to the approved shop drawings, Marvin Windows and Doors assumes no responsibility in guaranteeing product coordination with the drawings.

PROJ/JOB: Dan Keehn Residence / Window Replacement  
 DIST/DEALER: GORDON SOLUTIONS LLC  
 DRAWN: SHERYL GORDON  
 QUOTE#: J5HUA65 PK VER:0002.29.00 CREATED: 11/12/2019 REVISION:

Product Line	Unit Description
Ultimate Wood	Double Hung
Ultimate Wood	Double Hung
Ultimate Wood	Double Hung Transom

SHEET  
3  
OF 3

PROJ/JOB: Dan Keehn Residence / Window Replacement  
DIST/DEALER: GORDON SOLUTIONS LLC  
DRAWN: SHERYL GORDON  
QUOTE#: J5HUA65 PK VER:0002.29.00 CREATED: 11/12/2019 REVISION:

**ORDERING PRODUCTS WITH REFERENCE TO SHOP DRAWINGS:**  
Before ordering the Marvin products illustrated within these shop drawings, a copy of these drawings accompanied by an approved signature of the purchaser must be returned to the Architectural Division at Marvin Windows & Doors, P.O. Box 100, Warrond, Minnesota 55763. If the Marvin products included herein are ordered without reference to the approved shop drawings, Marvin Windows and Doors assumes no responsibility in guaranteeing product coordination with the drawings.

