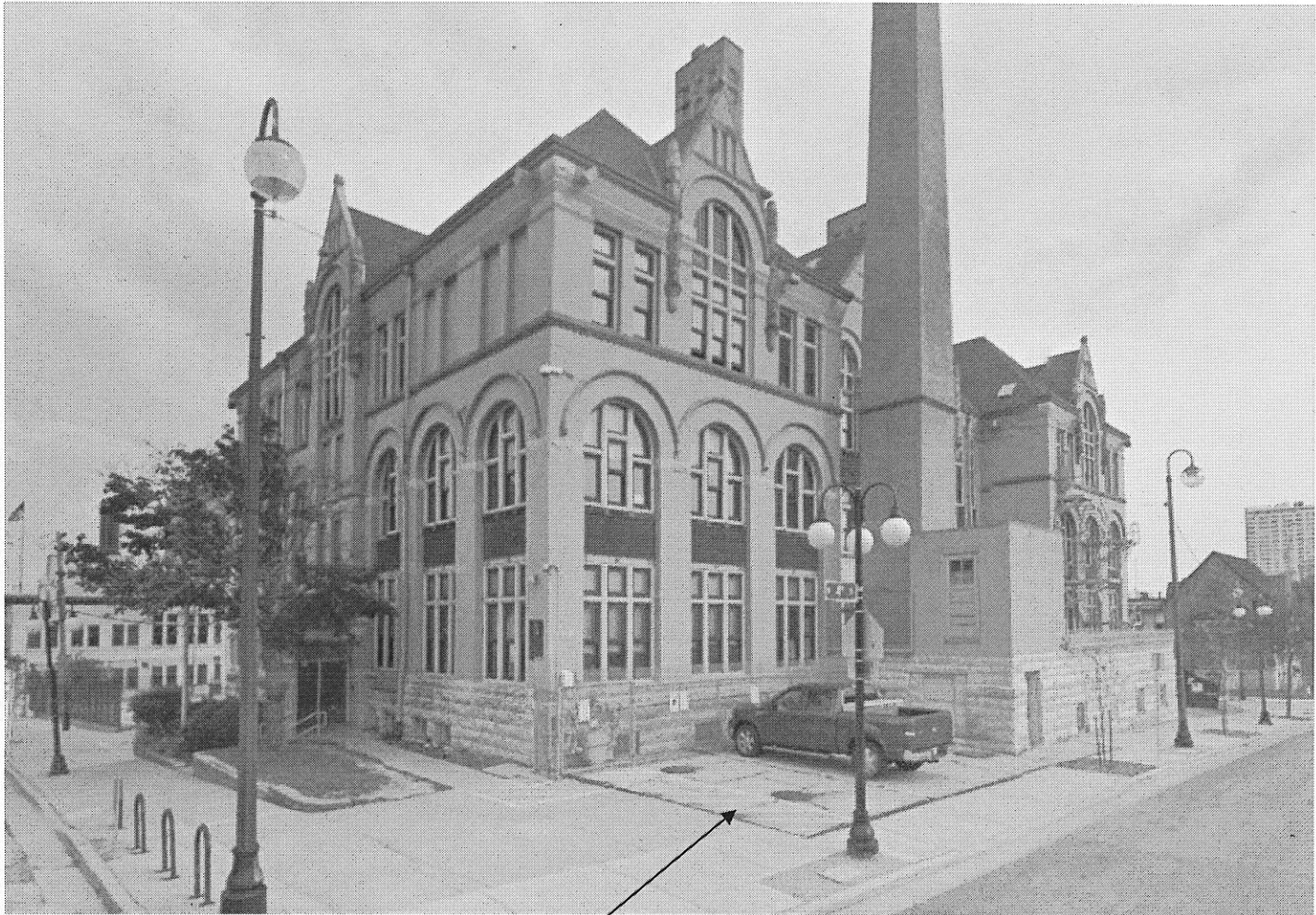


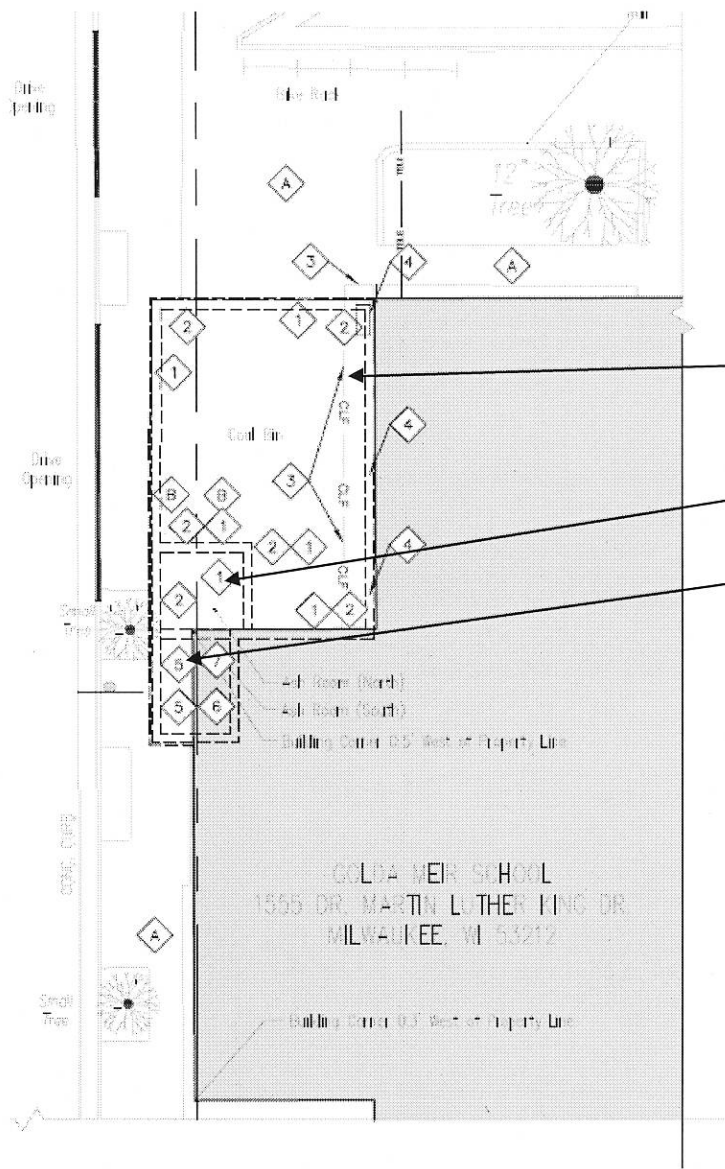
Carl Hatal

City of Milwaukee Historic Preservation Staff

Copies to: Development Center, Ald. Milele Coggs, Contractor , Inspector Peter Schwartz (286-2537)



Work will take place at this location



- Coal Bin
- Ash Room
- Ash Room

GOLDA WEIN SCHOOL
 1555 DR. MARTIN L. THUR KING DR.
 MILWAUKEE, WI 53212

NEW PAVEMENT STRIPPING
TO MATCH EXISTING, TYP.

NEW PAVEMENT STRIPED
AUTO STALLS (9'X18' TYP.)

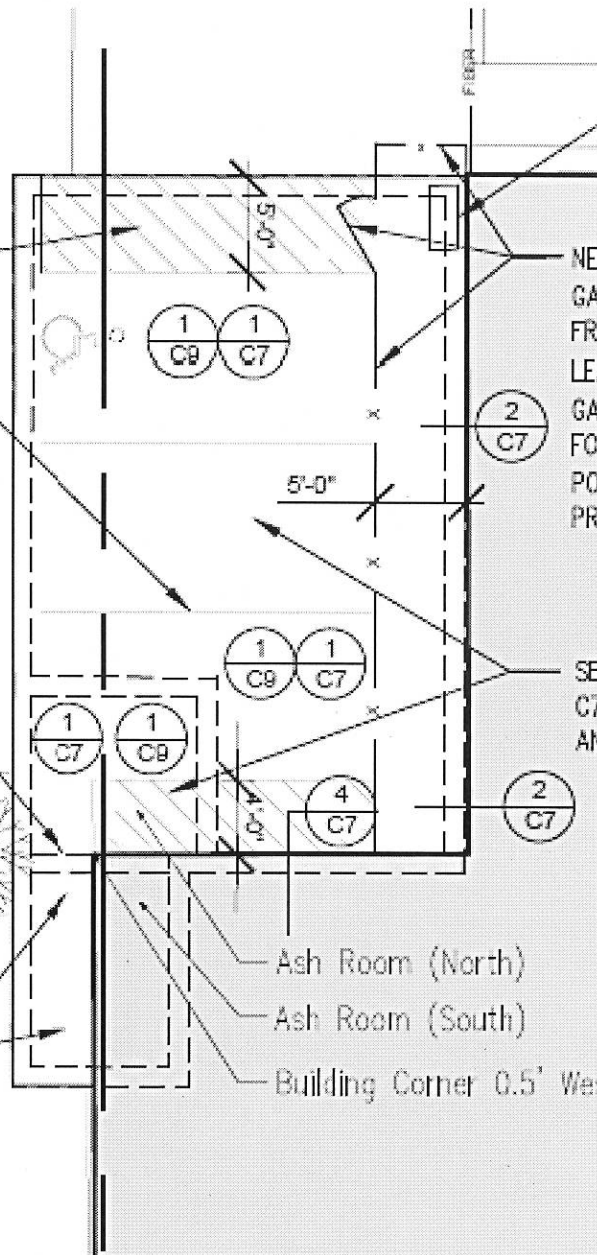
Drive
Opening

SEE DETAIL 3/C8 FOR
TRANSITION FROM ASH
ROOM INFILL TO TOPPING
SLAB REPLACEMENT

Small
Tree

INSTALL NEW CONCRETE
TOPPING SLAB OVER ASH
ROOM PER DETAILS 2/C8,
3/C8, AND 4/C8.

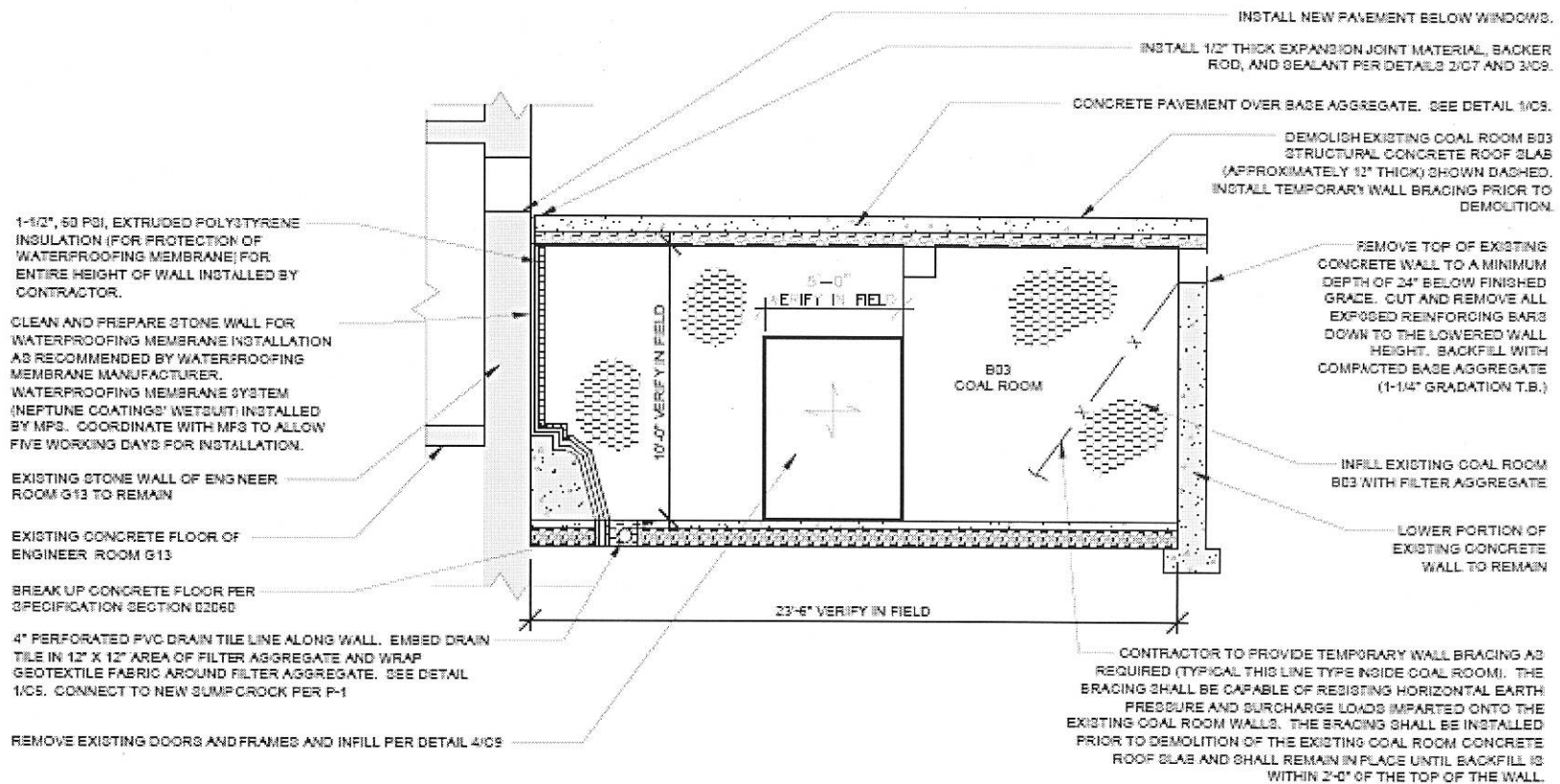
8



Ash Room (North)

Ash Room (South)

Building Corner 0.5' We



1 COAL ROOM ABANDONMENT SECTION DETAIL
 C8 1/4" = 1'-0"