

EXISTING SECOND LEVEL PORCH (NOT IN SCOPE)

1  
S2

EXISTING BRICK PIER

1  
S2

NOTE:  
EXISTING LANDSCAPING NOT SHOWN FOR CLARITY.

1  
S1

# FRONT ELEVATION

SCALE: 3/16"=1'-0"

## FIRST LEVEL EXISTING PORCH DETAILS

PORCH RESIDENCE REPAIRS  
PREPARED FOR CREAM CITY MASONRY  
2914 W. MCKINLEY BLVD.

PROJECT NUM:  
22RE10458

SHEET SIZE:  
11 x 17 (B)

DWN BY: EV

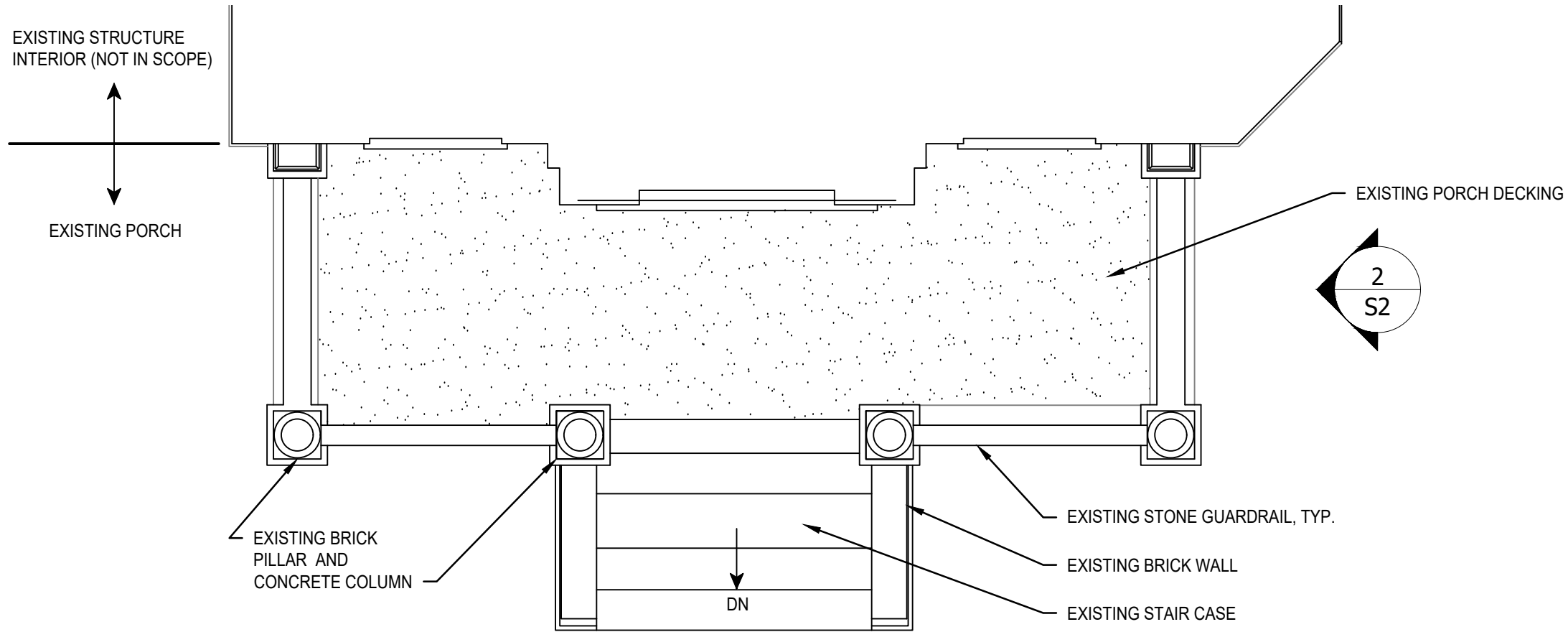
CHK BY: JH

DATE: 06/20/22

REV #: X

SHEET NO.

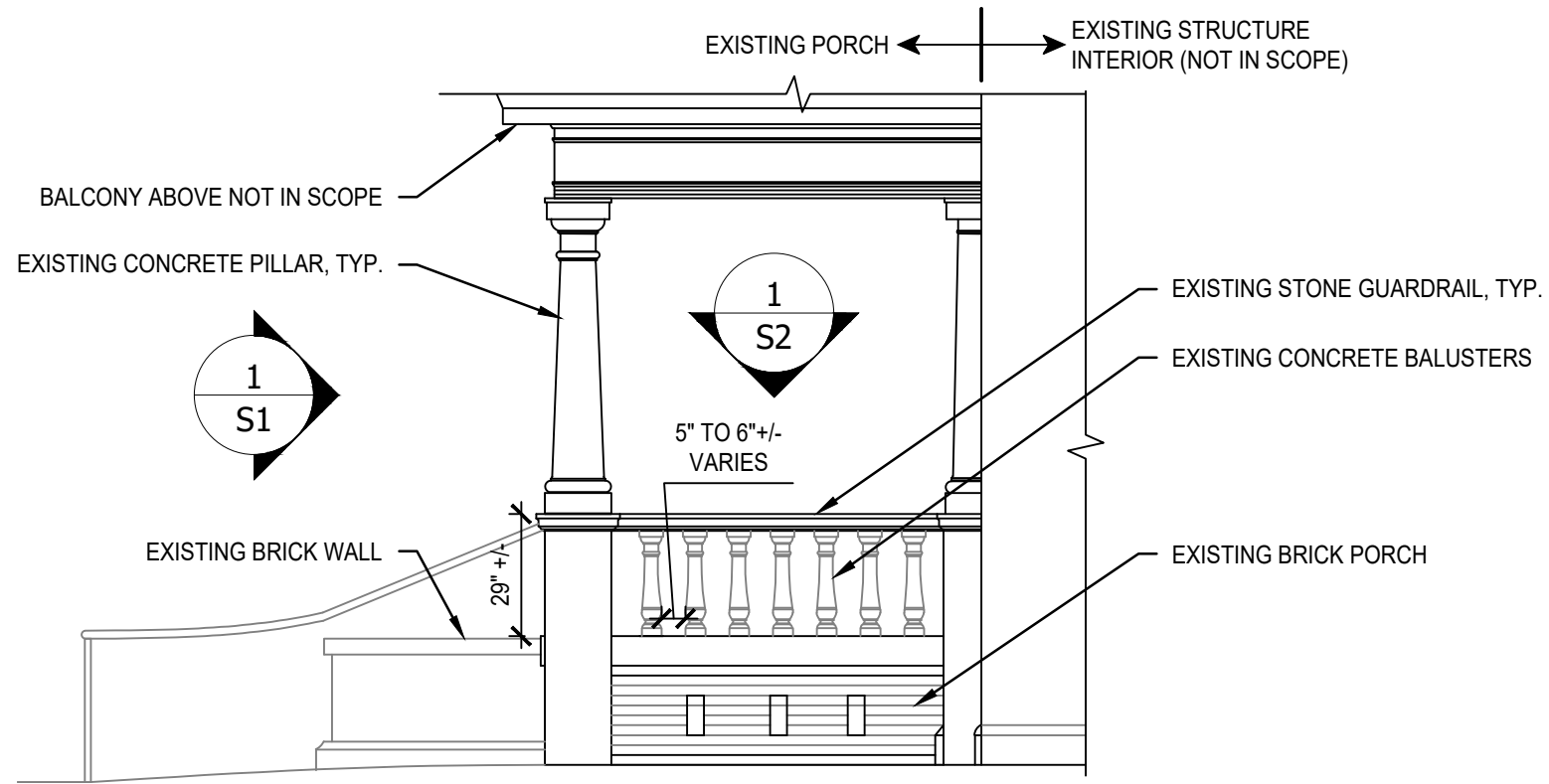
# S1



1  
S1

# PORCH FLOOR PLAN

SCALE: 1/4"=1'-0"



2  
S2

# PORCH SIDE ELEVATION

SCALE: 1/4"=1'-0"