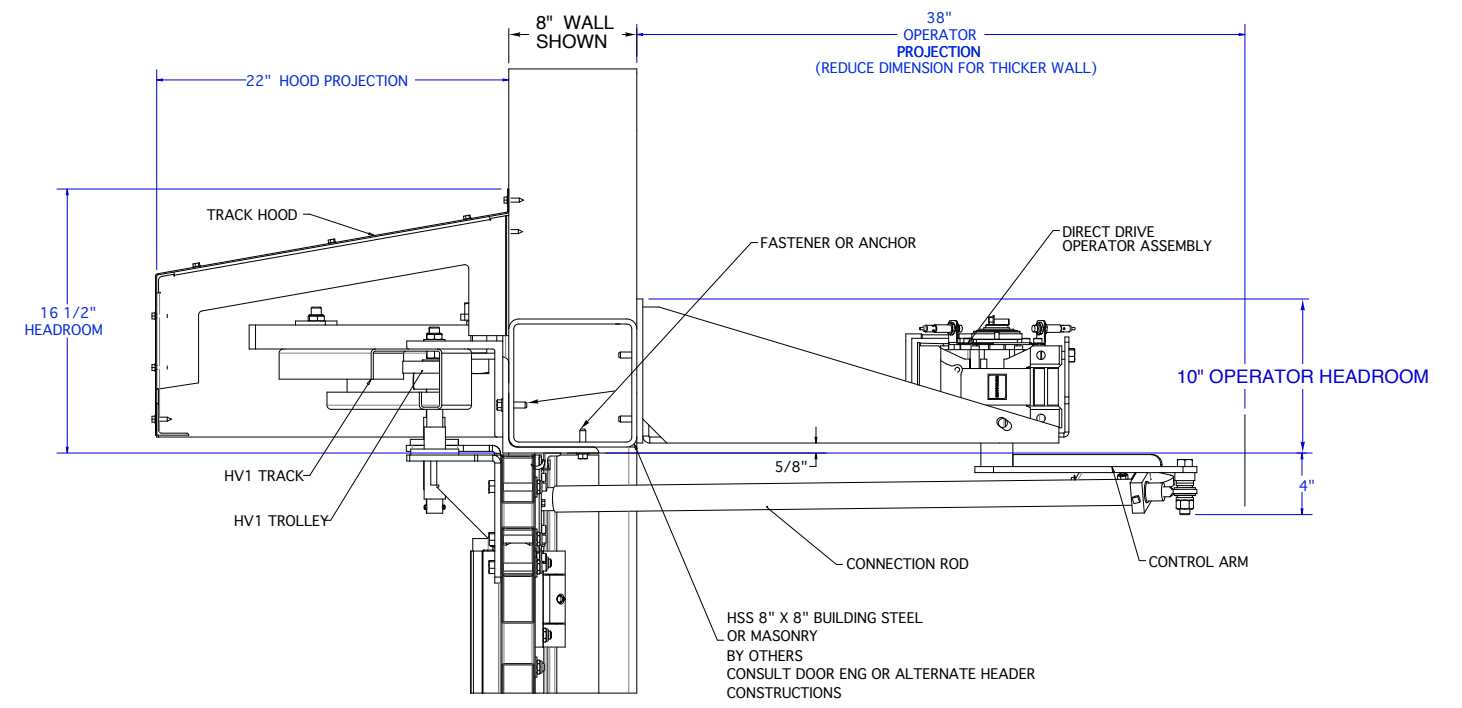
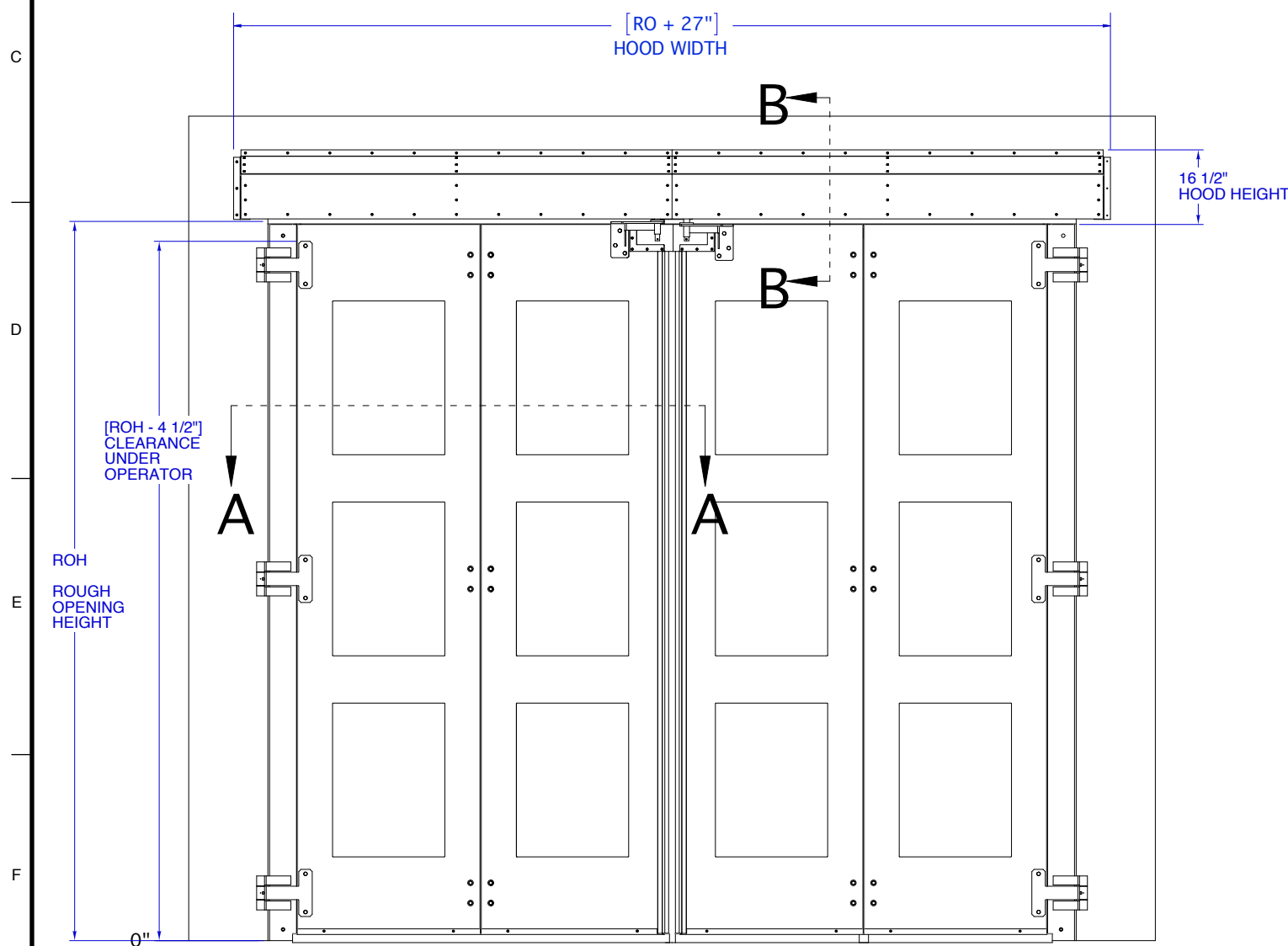


SECTION A-A

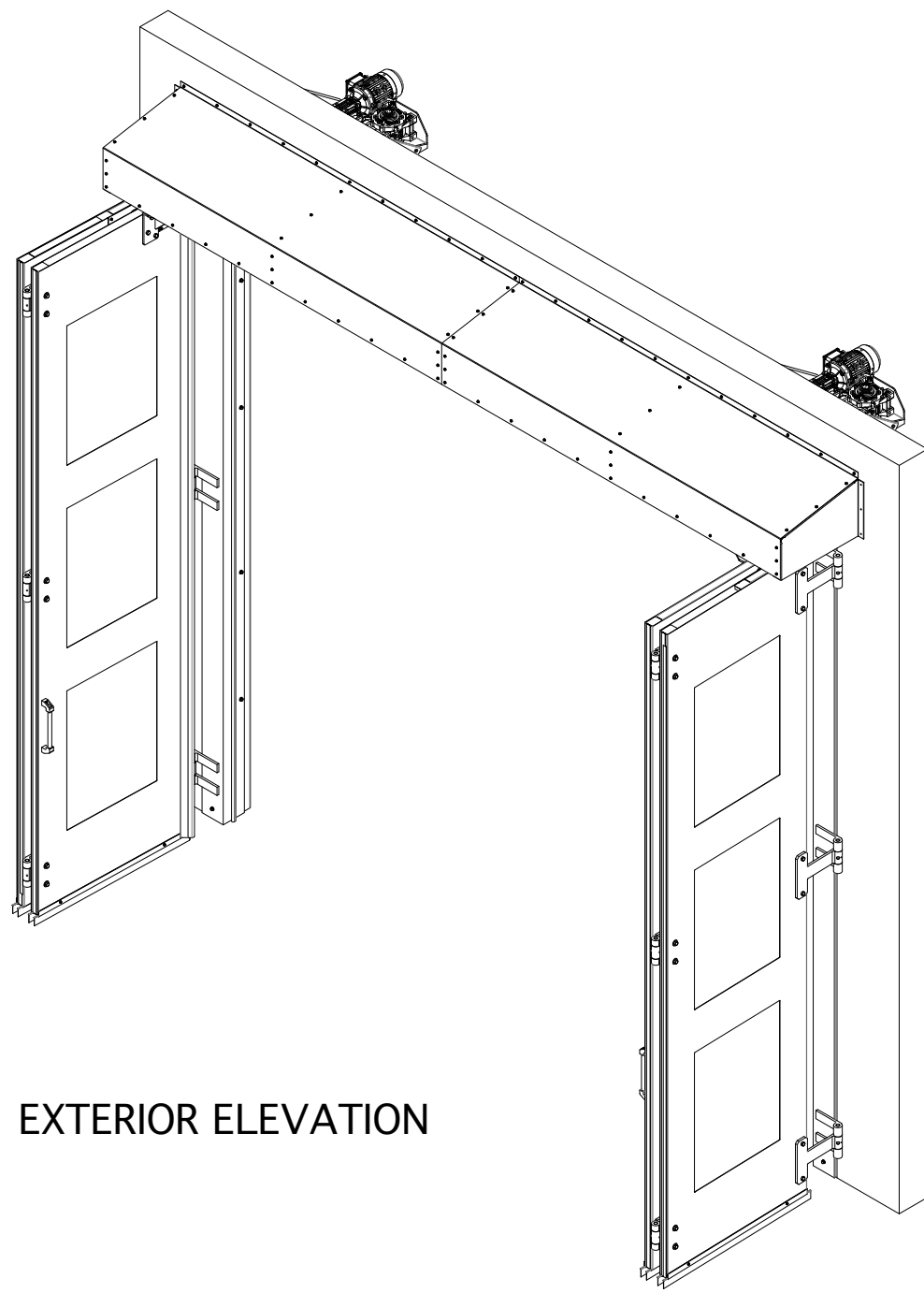


SECTION B-B

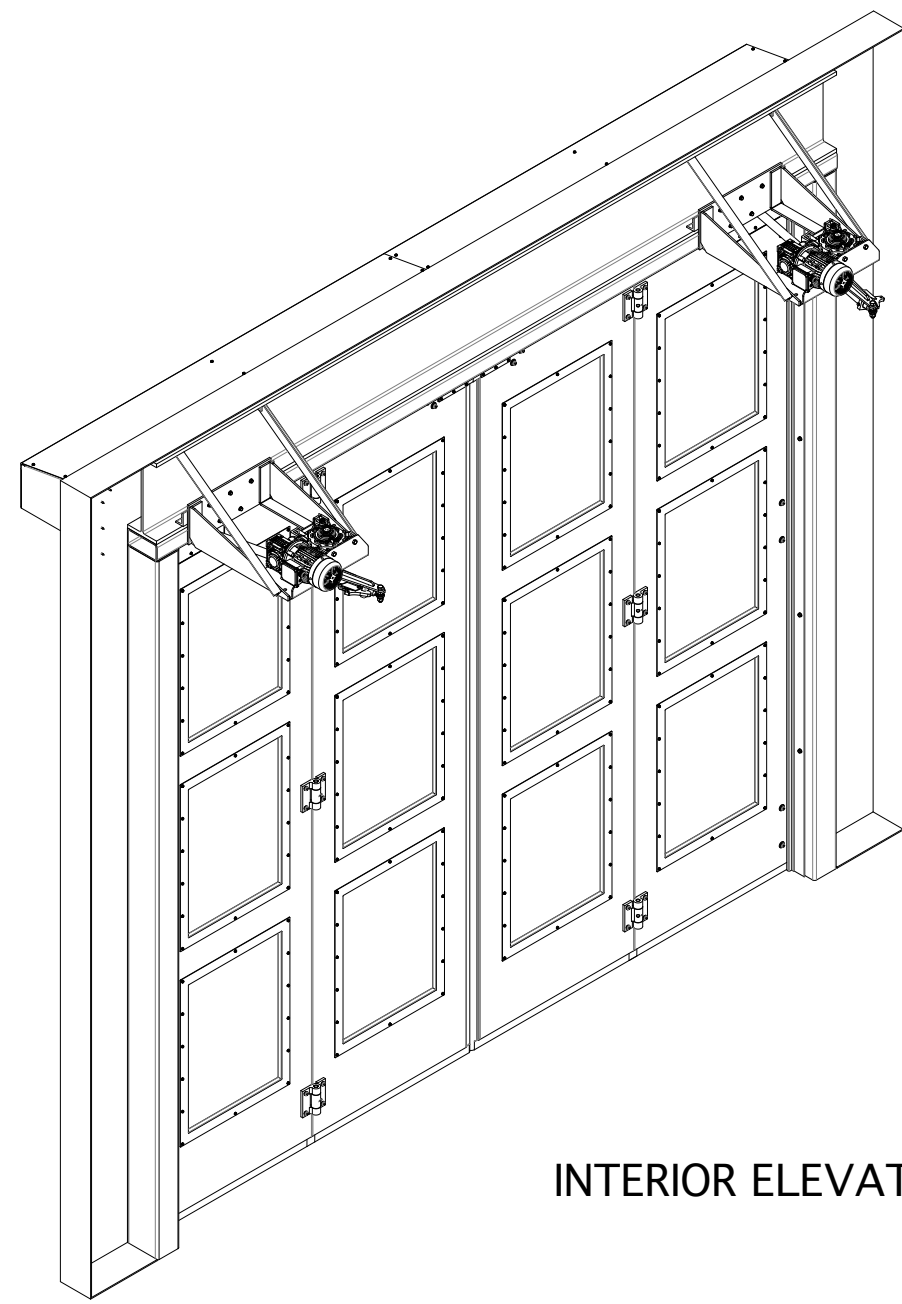
PROJECT: XXXX				DRAWINGS ARE THE EXCLUSIVE PROPERTY OF DOOR ENGINEERING AND MANUFACTURING, LLC AND CANNOT BE USED IN WHOLE OR PART WITHOUT WRITTEN CONSENT.			
JOB NUMBER	MODEL NO.	QTY	UM	MATERIAL:			
				THICKNESS:			
APPROVED AS IS: <input type="checkbox"/>				UNLESS OTHERWISE SPECIFIED: DO NOT SCALE DRAWINGS			
RESUBMIT AS NOTED: <input type="checkbox"/>				DIMENSIONS ARE IN INCHES			
BY: _____				TOLERANCES:			
DATE: _____				THIRD ANGLE PROJECTION			
NOTICE: UNLESS OTHER PROVISIONS ARE MADE AT THE TIME OF SUBMISSION REVISIONS TO ALL APPROVED DRAWINGS MUST BE MADE WITHIN 24 HOURS OF RECEIPT TO AVOID CHARGES FROM WORK IN PROGRESS.				NAME		DATE	
				K. Landgraf		6/18/2015	
				CHECKED BY		SIZE DWG. NO.	
				ENG'D BY		B XXXXX -1	
						SCALE: MASS: REV	
						A	
						SHEET 1 OF 2	



TITLE:
FF-XT EXTERIOR FOLDING

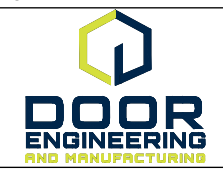


EXTERIOR ELEVATION



INTERIOR ELEVATION

PROJECT: XXXX		DRAWINGS ARE THE EXCLUSIVE PROPERTY OF DOOR ENGINEERING AND MANUFACTURING, LLC AND CANNOT BE USED IN WHOLE OR PART WITHOUT WRITTEN CONSENT.	
JOB NUMBER	MODEL NO.	QTY	U/M
APPROVED AS IS: <input type="checkbox"/>		MATERIAL:	
RESUBMIT AS NOTED: <input type="checkbox"/>		THICKNESS:	
BY: _____	UNLESS OTHERWISE SPECIFIED: DO NOT SCALE DRAWINGS		
DATE: _____	DIMENSIONS ARE IN INCHES		
NOTICE: UNLESS OTHER PROVISIONS ARE MADE AT THE TIME OF SUBMISSION REVISIONS TO ALL APPROVED DRAWINGS MUST BE MADE WITHIN 24 HOURS OF RECEIPT TO AVOID CHARGES FROM WORK IN PROGRESS.		THIRD ANGLE PROJECTION	
		NAME	DATE
		K. Landgraff	06/18/2015
		CHECKED BY	SIZE
		ENG'D BY	DWG. NO.
			XXXXX -1
			SCALE: MASS:
			REV
			A
			SHEET 2 OF 2



TITLE:
FF-XT EXTERIOR FOLDING