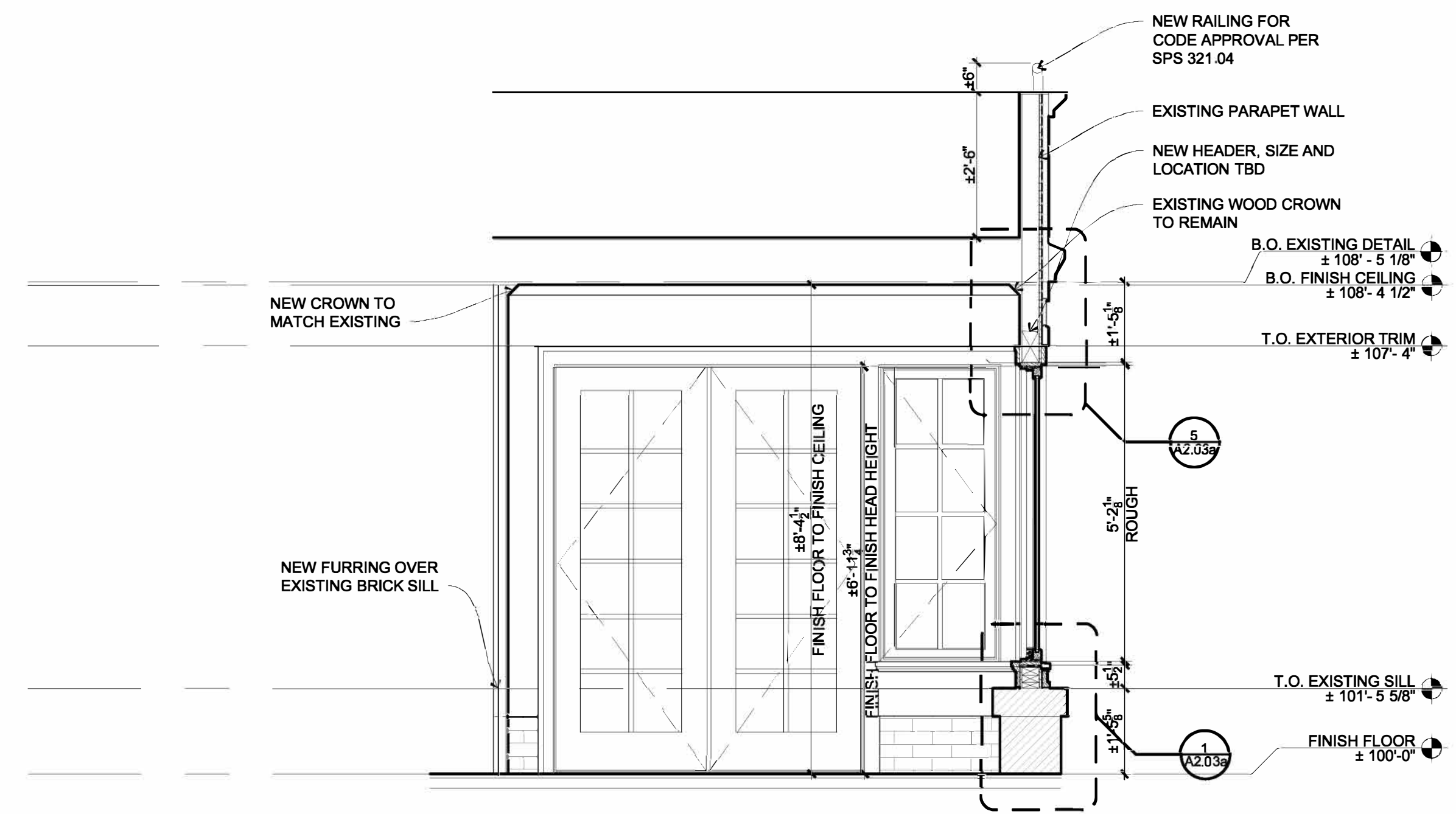
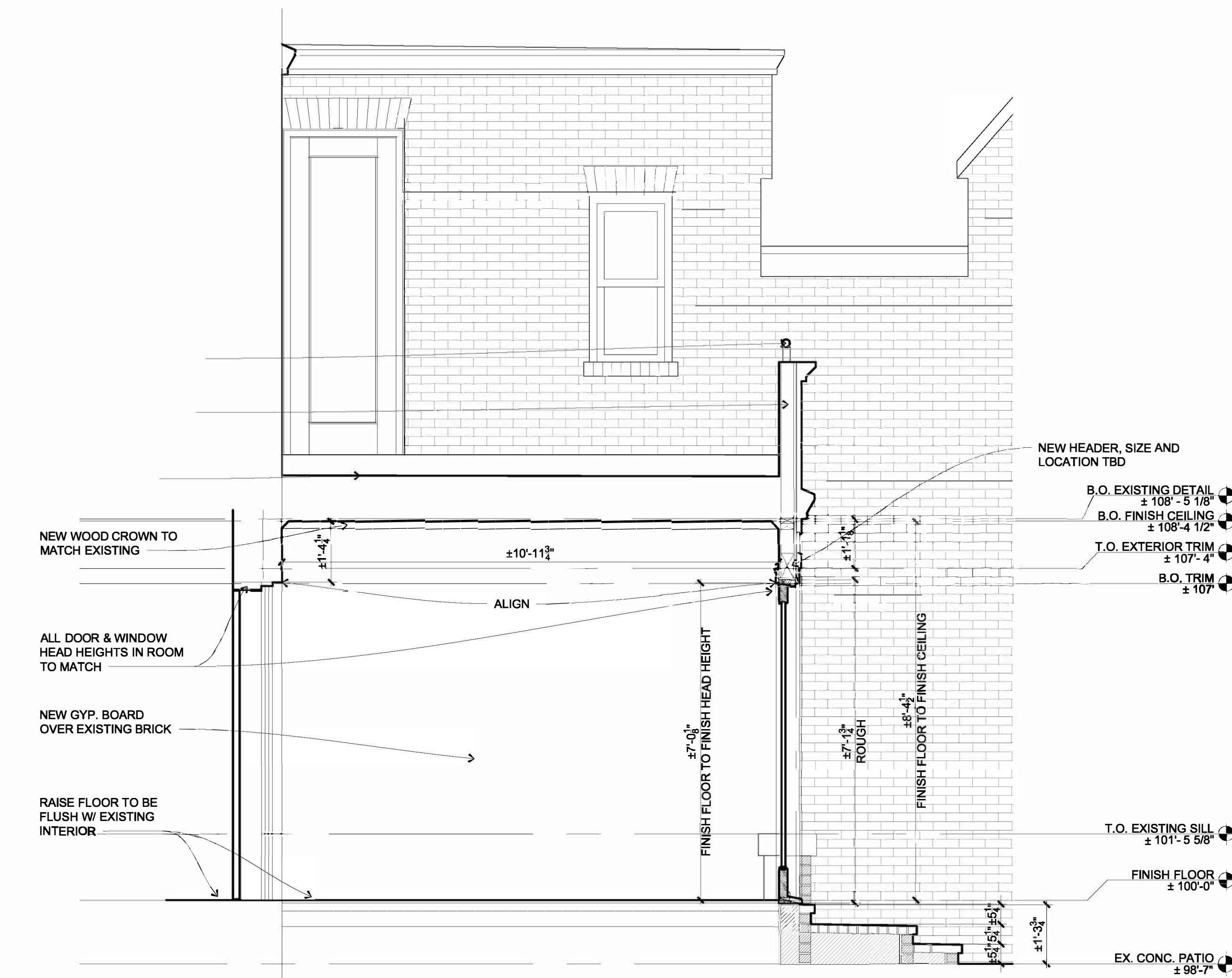


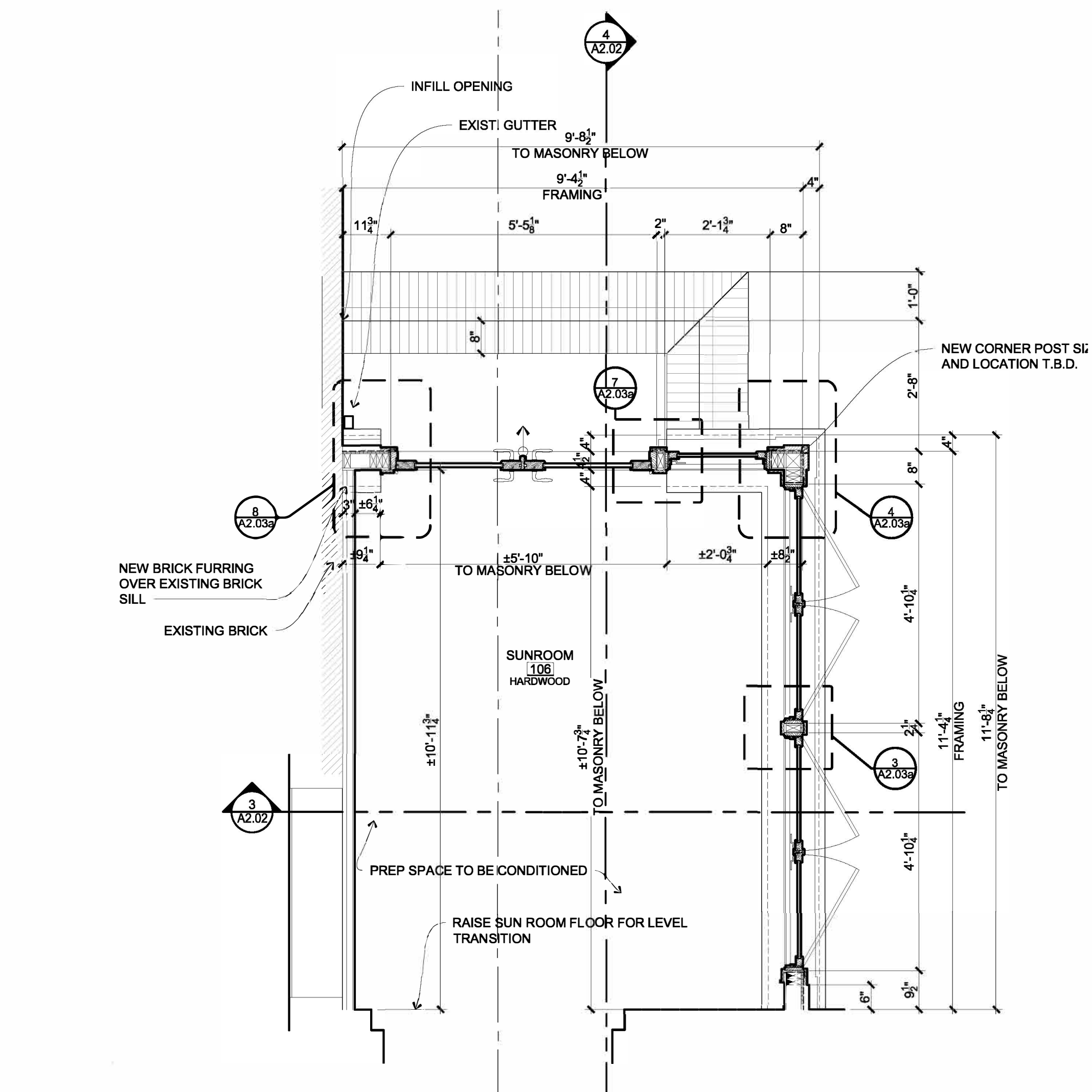
4 SUN ROOM NORTH SECTION - PROPOSED  
SCALE: 1/2" = 1'-0"



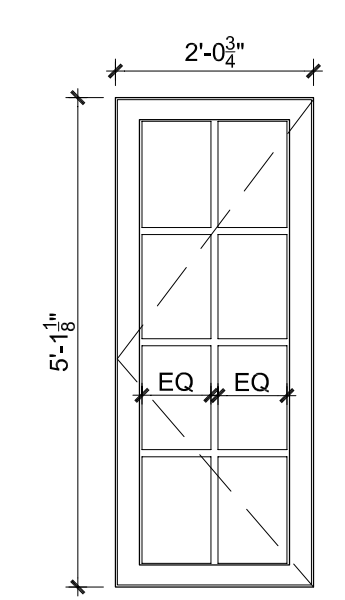
3 SUN ROOM WEST SECTION - PROPOSED  
SCALE: 1/2" = 1'-0"



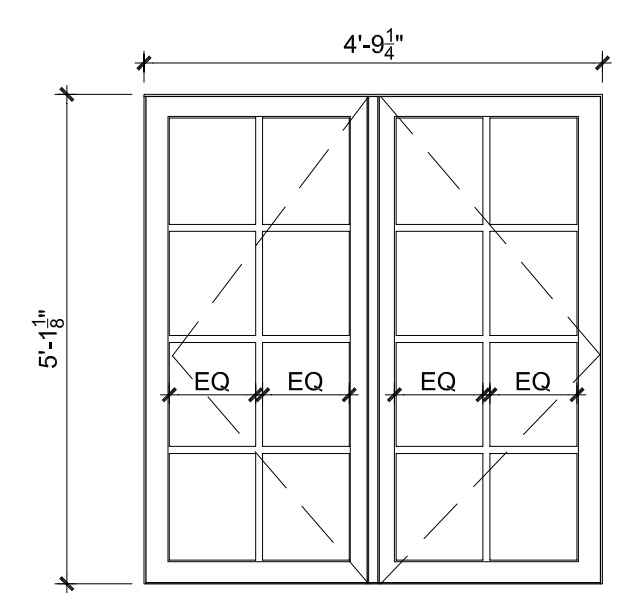
2 SUN ROOM EAST SECTION - PROPOSED  
SCALE: 1/2" = 1'-0"



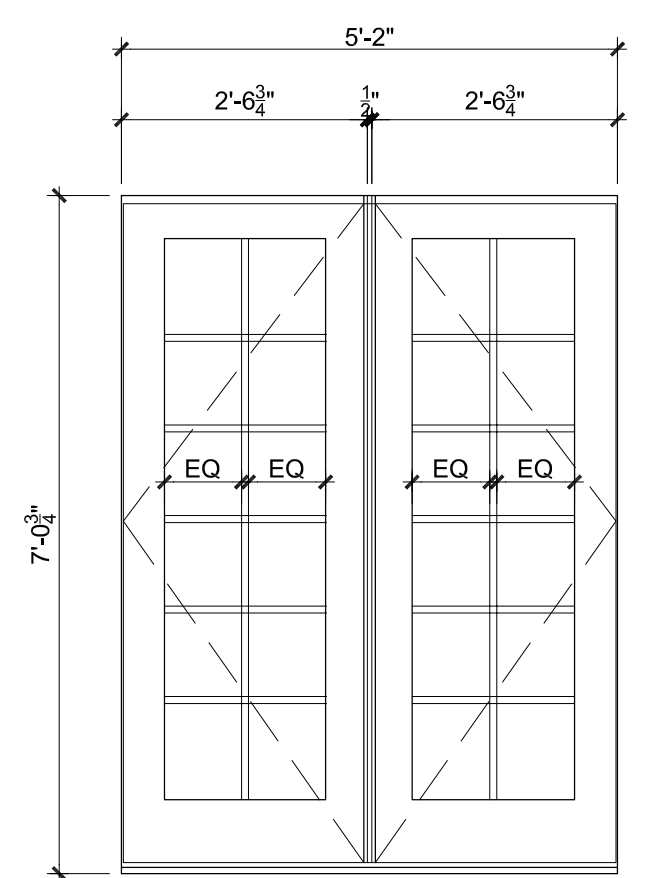
1 PARTIAL FLOOR PLAN  
SCALE: 1/2" = 1'-0"



1 PARRETT SINGLE WOOD CASEMENT  
SCALE: 1/2" = 1'-0"



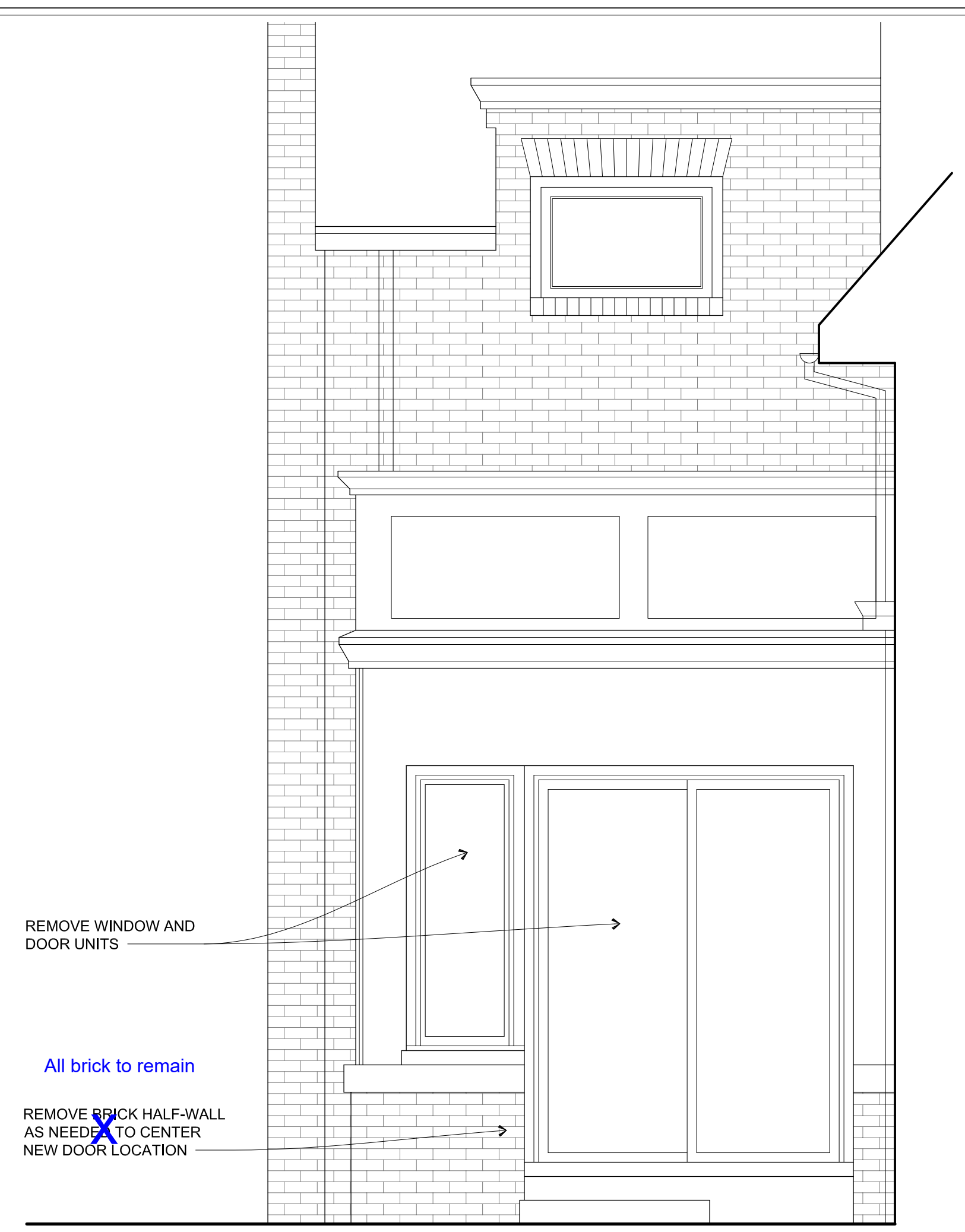
2 PARRETT DOUBLE WOOD CASEMENT  
SCALE: 1/2" = 1'-0"



3 PARRETT FRENCH WOOD DOOR  
SCALE: 1/2" = 1'-0"



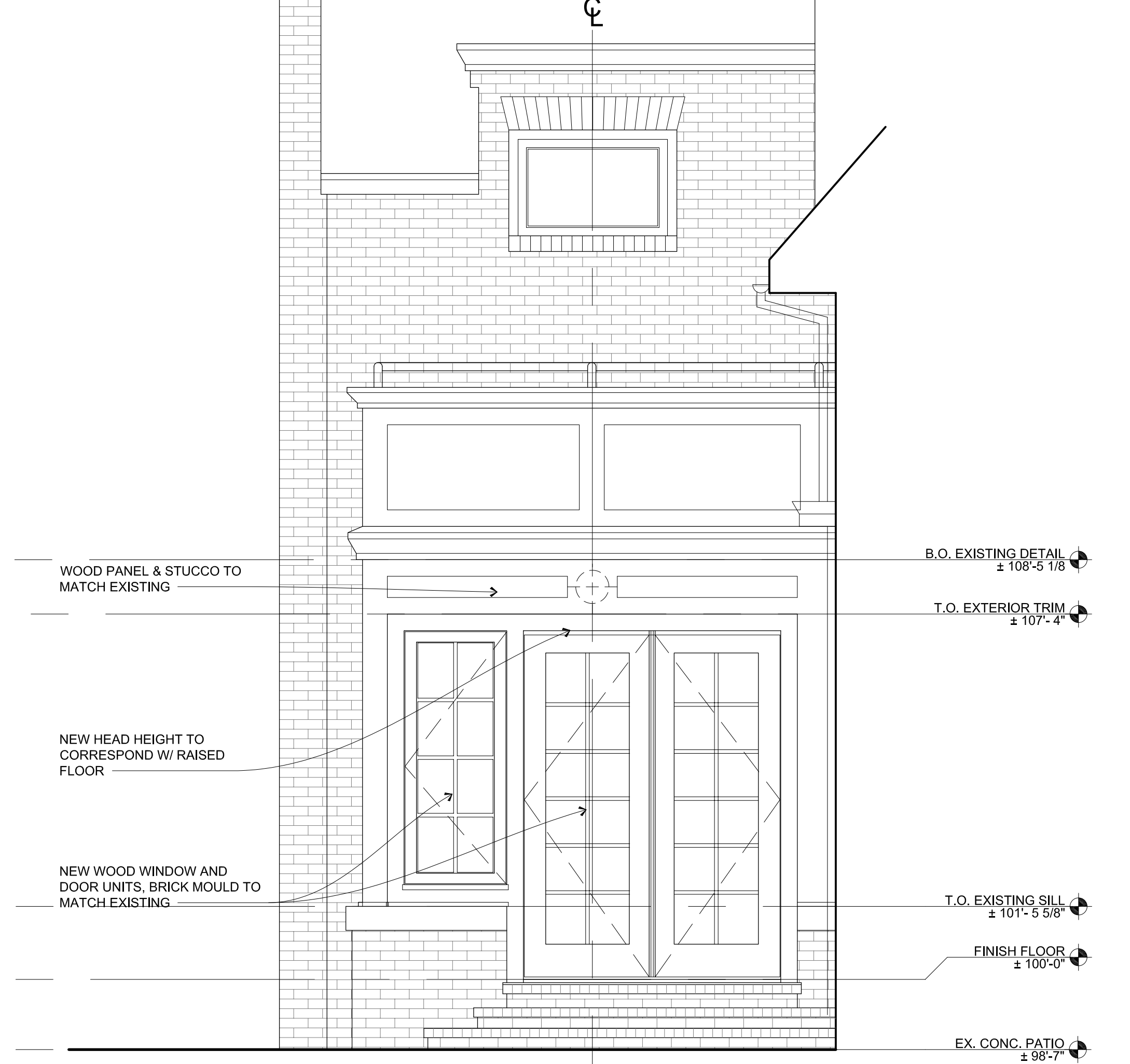
4 PARTIAL EXISTING NORTH ELEVATION  
SCALE: 1/2" = 1'-0"



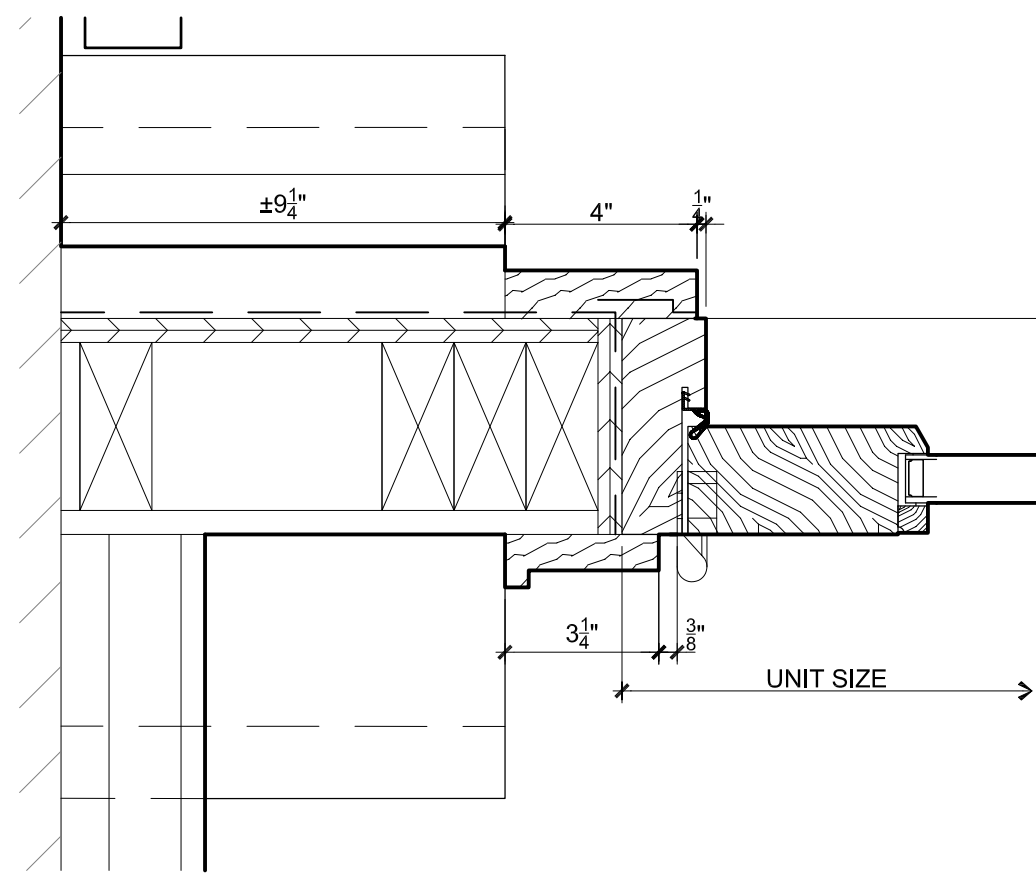
3 PARTIAL EXISTING WEST ELEVATION  
SCALE: 1/2" = 1'-0"



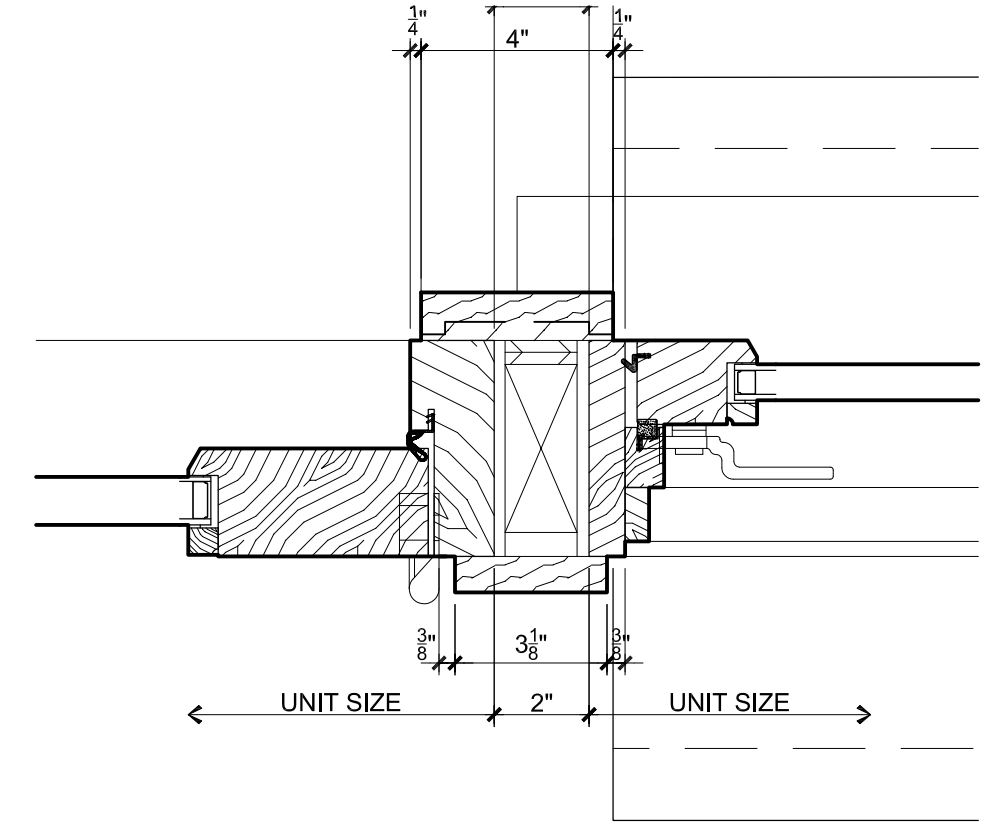
2 PARTIAL NORTH ELEVATION  
SCALE: 1/2" = 1'-0"



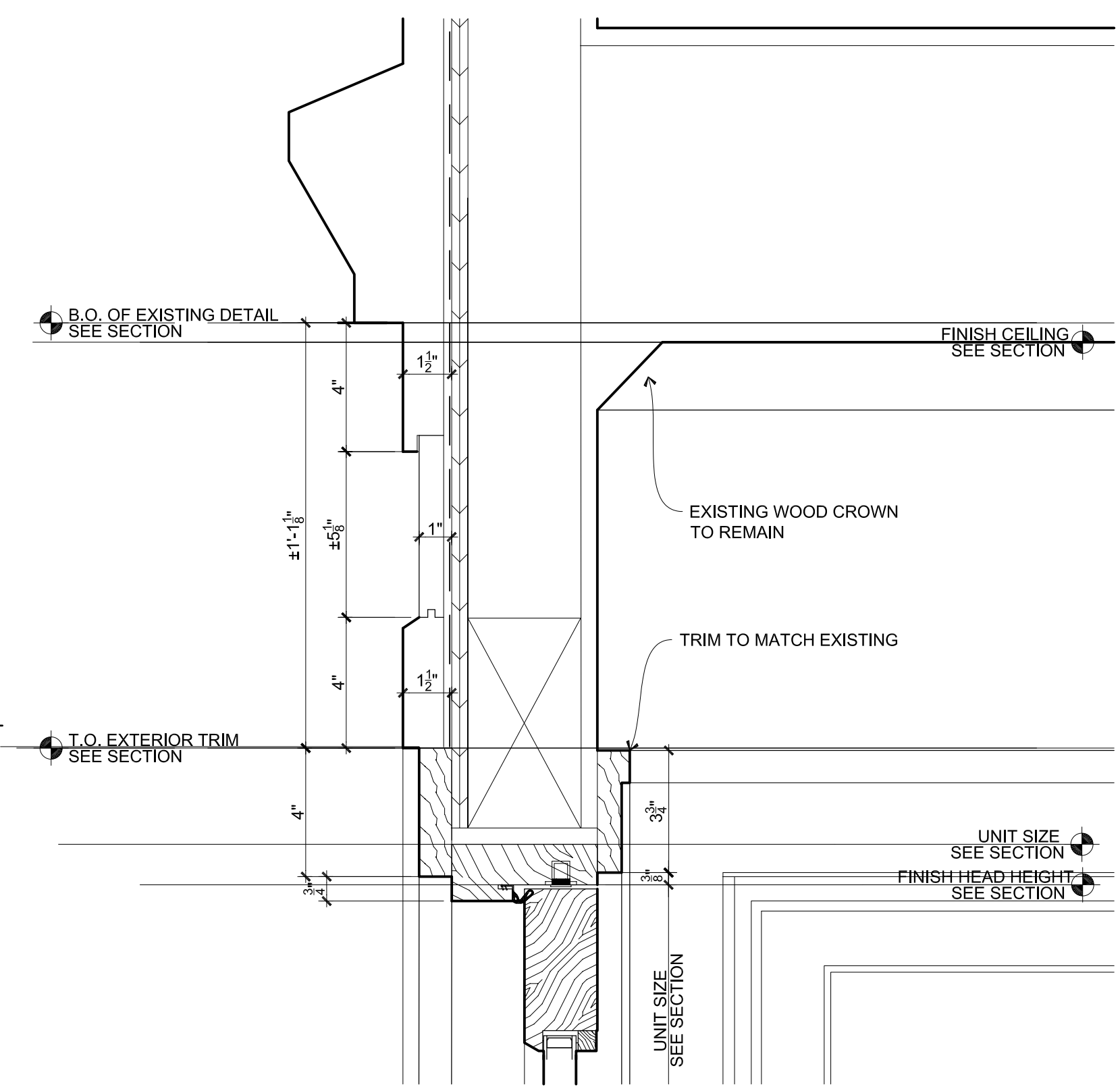
1 PARTIAL WEST ELEVATION  
SCALE: 1/2" = 1'-0"



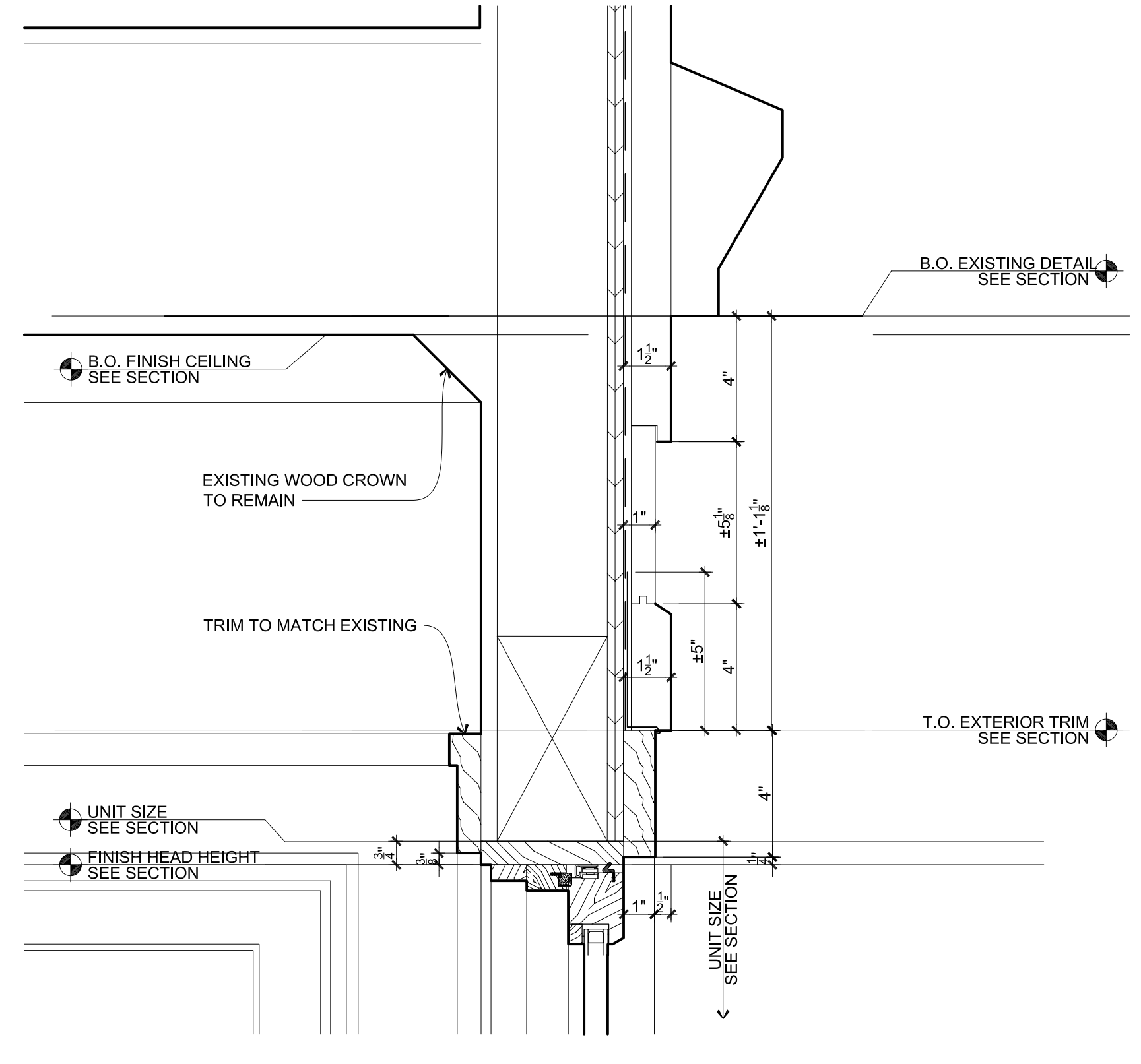
8 DOOR JAMB DETAIL  
SCALE: 3" = 1'-0"



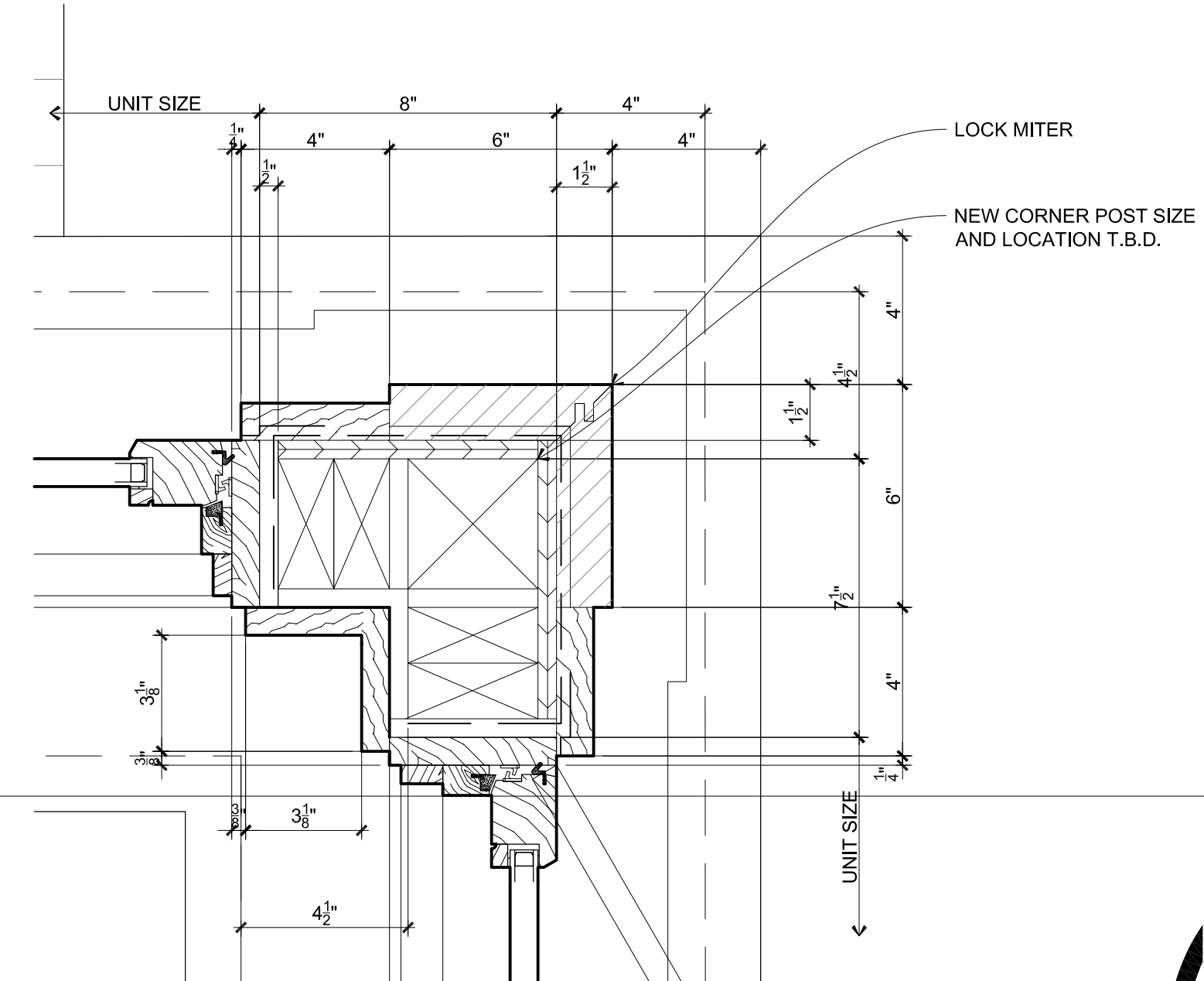
7 WINDOW AND DOOR JAMB DETAIL  
SCALE: 3" = 1'-0"



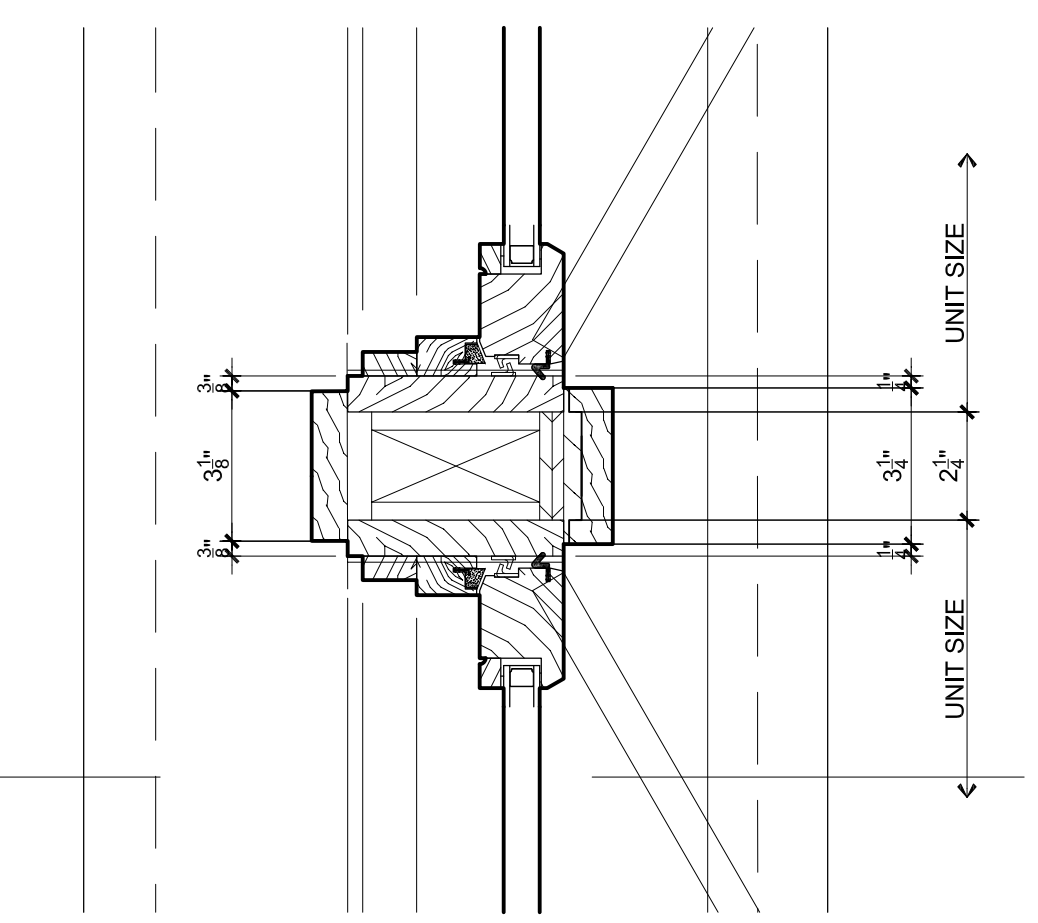
6 DOOR HEAD DETAIL  
SCALE: 3" = 1'-0"



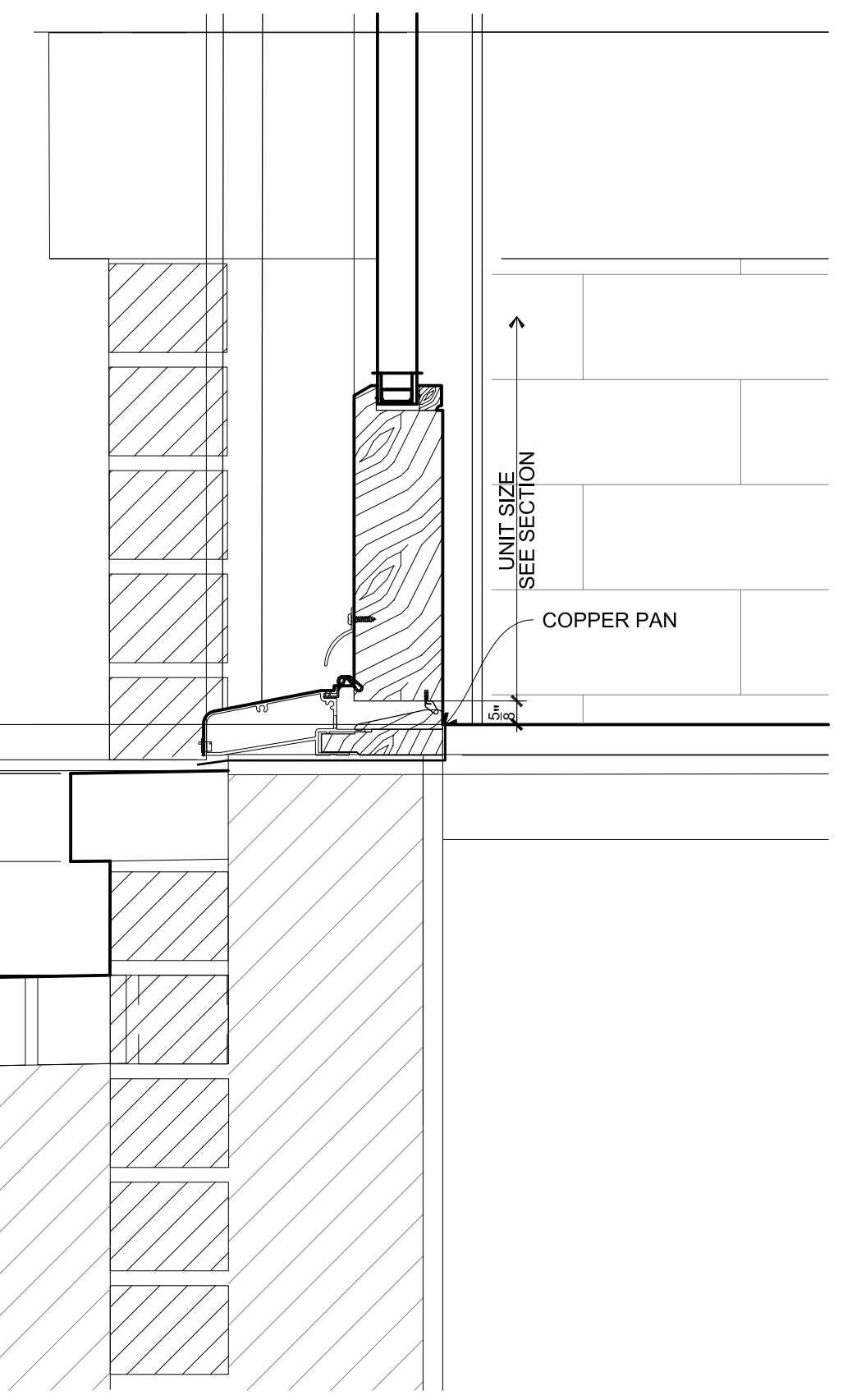
5 WINDOW HEAD DETAIL  
SCALE: 3" = 1'-0"



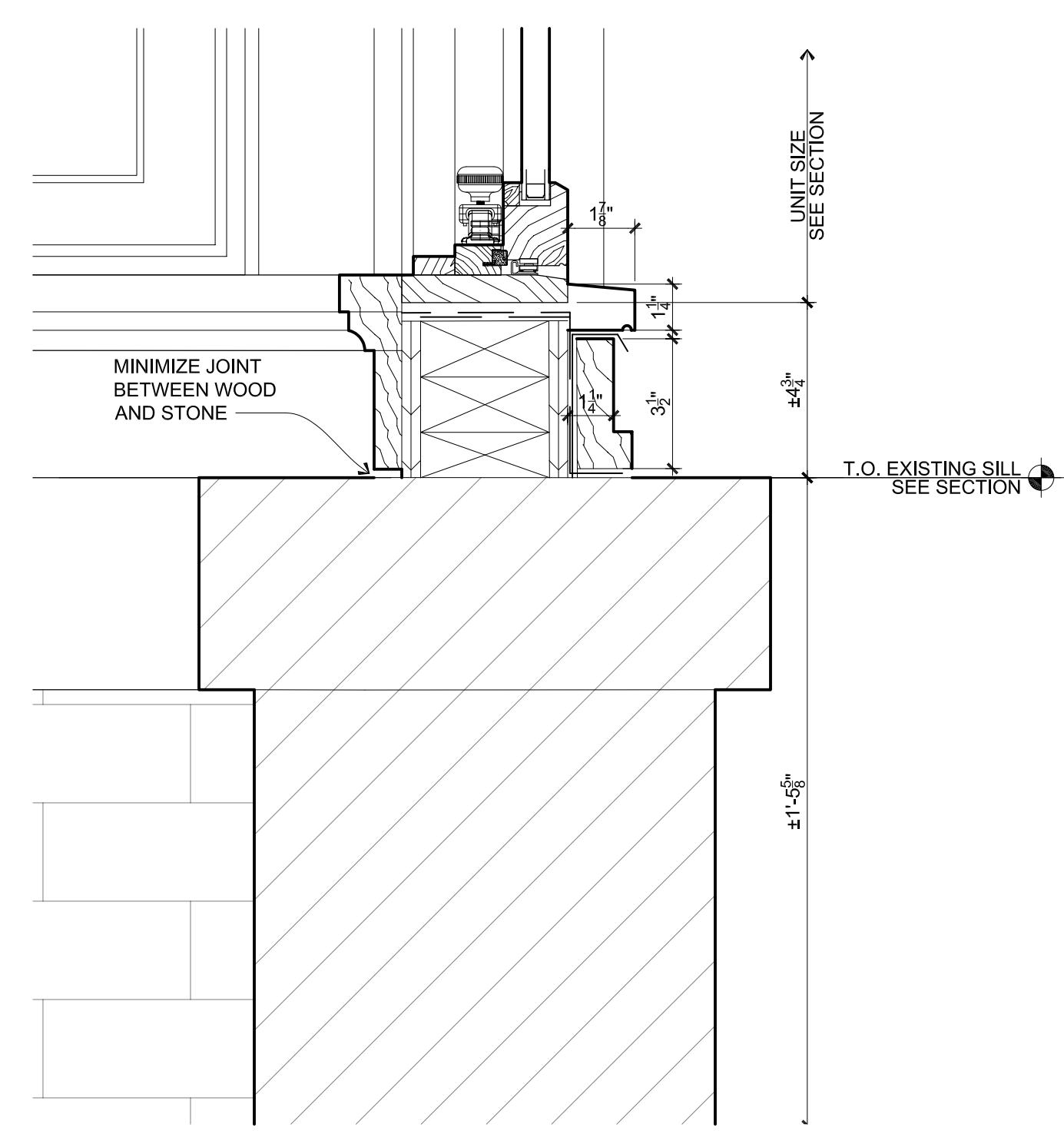
4 WINDOW JAMB DETAIL  
SCALE: 3" = 1'-0"



3 WINDOW JAMB DETAIL  
SCALE: 3" = 1'-0"



2 DOOR SILL DETAIL  
SCALE: 3" = 1'-0"



1 WINDOW SILL DETAIL  
SCALE: 3" = 1'-0"