

MSOE STUDENT HOUSING

DETAILED PLAN DEVELOPMENT SUBMITTAL

SEPTEMBER 10, 2013

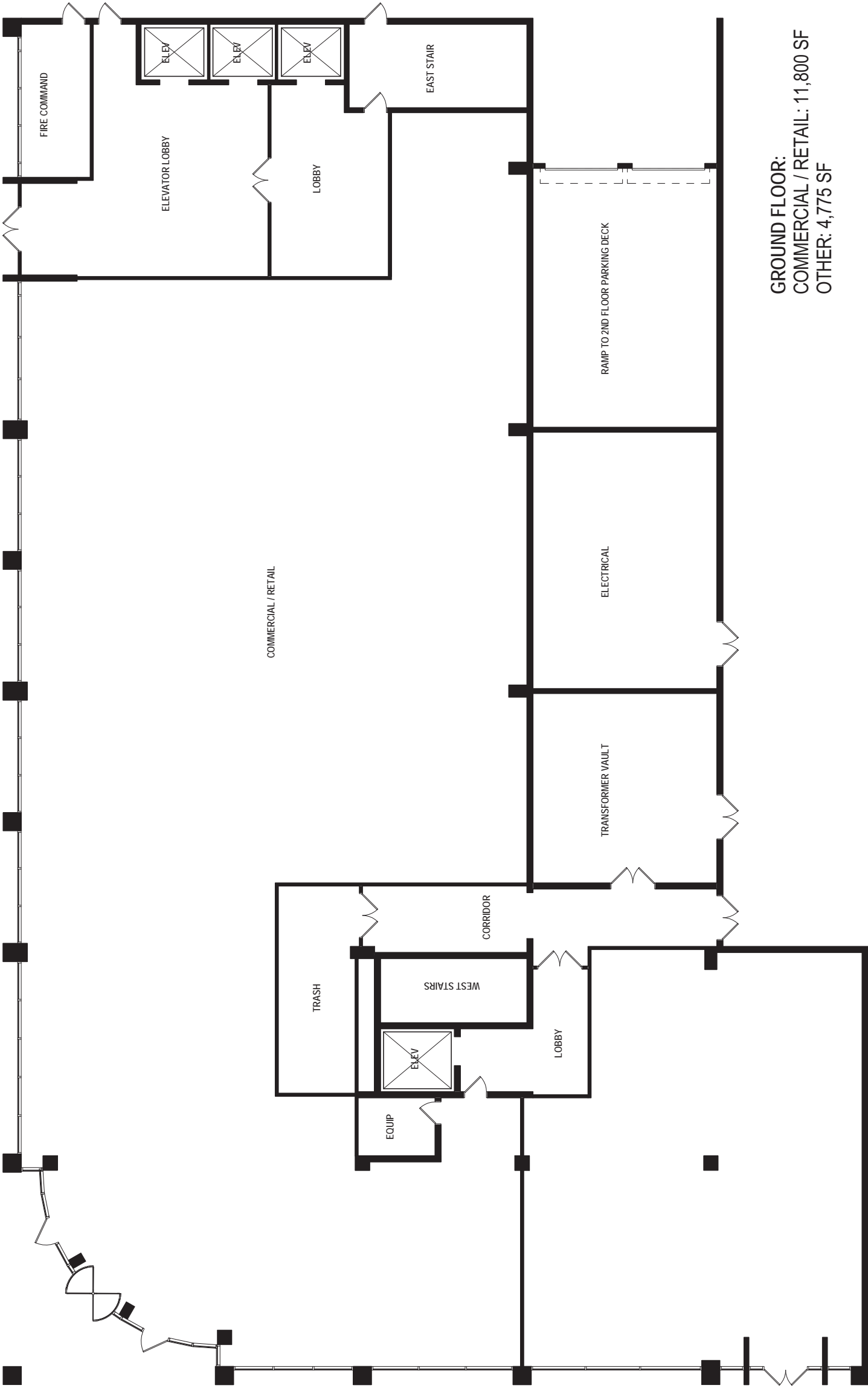
INDEX		Drawn By
Sheet Number	Sheet Name	
G-000	COVER SHEET & INDEX	UWA
A-001	SITE PLAN AND SUMMARY	UWA
A-101	GROUND FLOOR PLAN	UWA
A-102	SECOND FLOOR PLAN	UWA
A-103	THIRD FLOOR PLAN	UWA
A-104	FOURTH FLOOR PLAN	UWA
A-105	FIFTH FLOOR PLAN	UWA
A-106	SIXTH FLOOR PLAN	UWA
A-107	SEVENTH FLOOR PLAN	UWA
A-108	EIGHTH FLOOR PLAN	UWA
A-109	NINTH FLOOR PLAN	UWA
A-110	TENTH FLOOR PLAN	UWA
A-111	ELEVENTH FLOOR PLAN	UWA
A-112	TWELFTH FLOOR PLAN	UWA
A-113	THIRTEENTH FLOOR PLAN	UWA
A-114	FOURTEENTH FLOOR PLAN	UWA
A-115	ROOF PLAN	UWA
A-201	NORTH ELEVATION	UWA
A-202	SOUTH ELEVATION	UWA
A-203	EAST ELEVATION	UWA
A-204	WEST ELEVATION	UWA
A-300	SIGNAGE TYPES	UWA



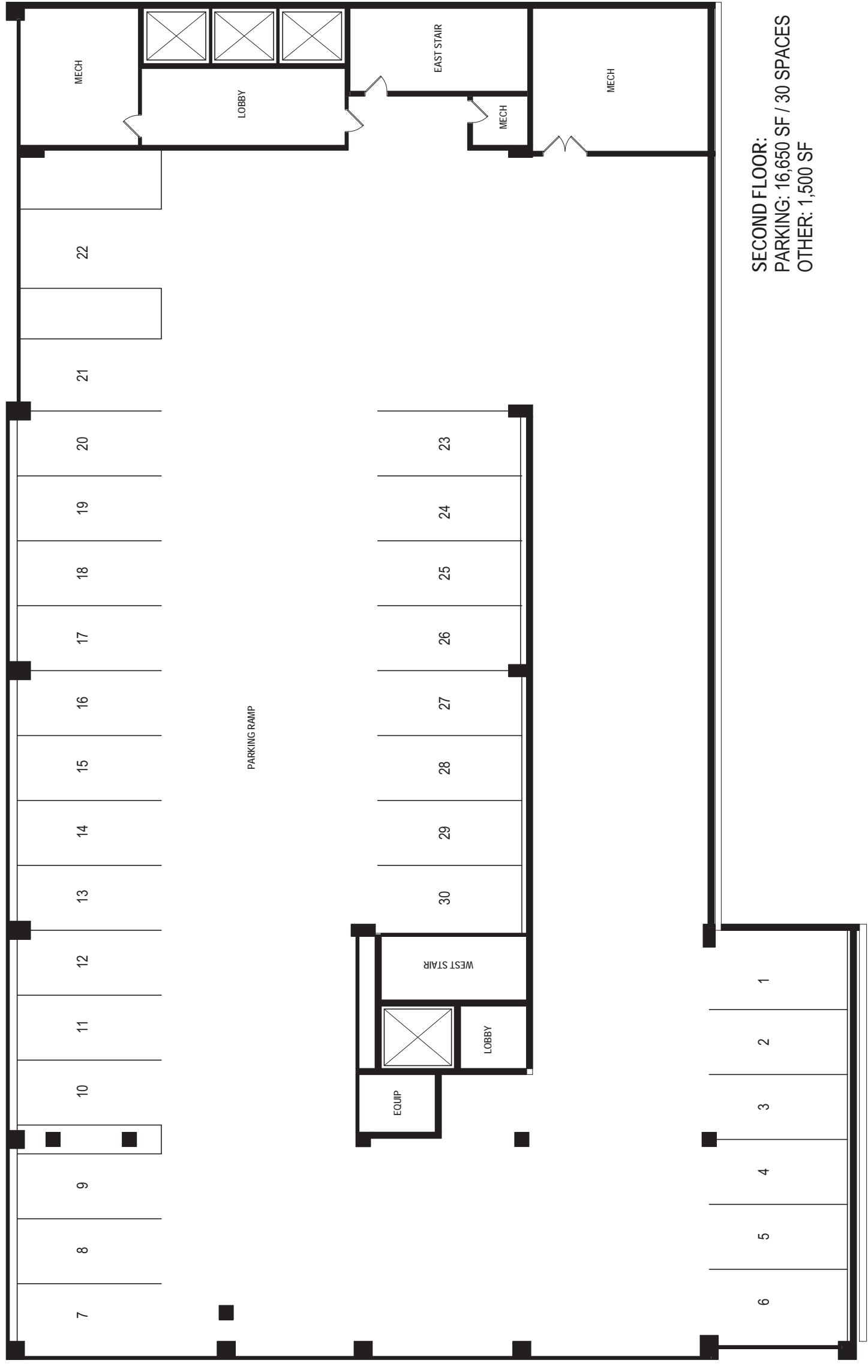
NORTH

MSOE BUILDINGS

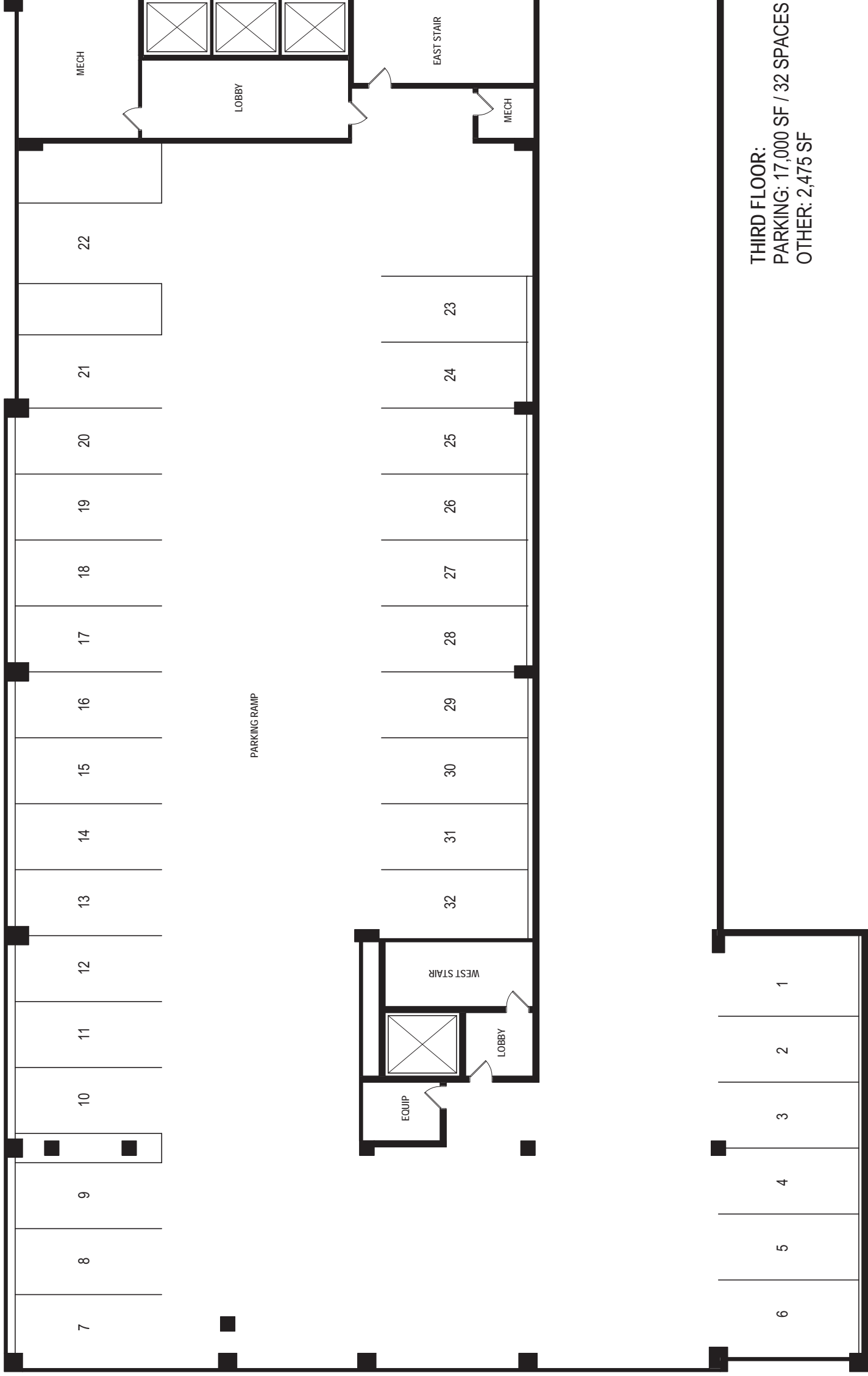
NEW STUDENT HOUSING



GROUND FLOOR:
 COMMERCIAL / RETAIL: 11,800 SF
 OTHER: 4,775 SF



SECOND FLOOR:
 PARKING: 16,650 SF / 30 SPACES
 OTHER: 1,500 SF



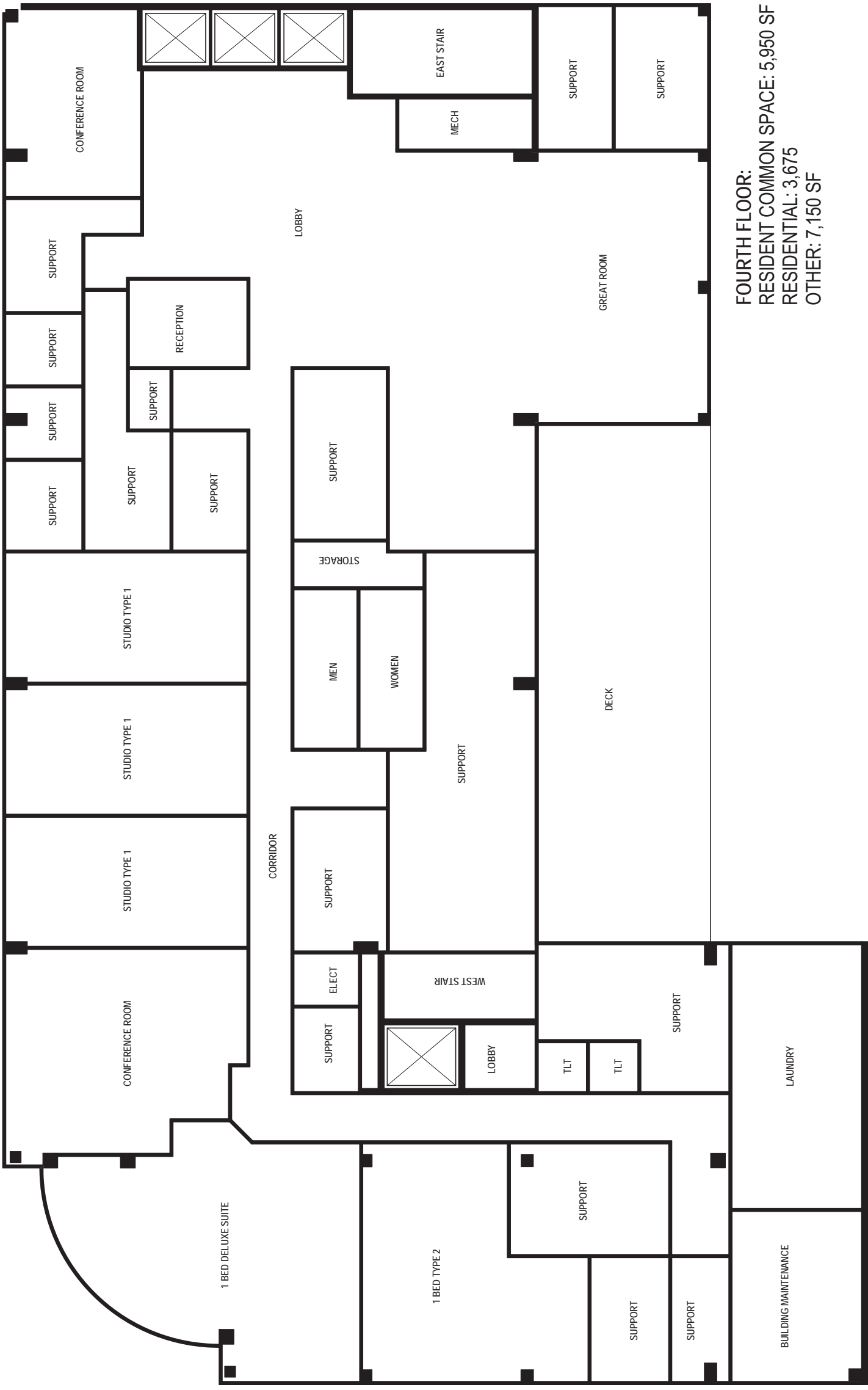
THIRD FLOOR:
 PARKING: 17,000 SF / 32 SPACES
 OTHER: 2,475 SF



Title THIRD FLOOR PLAN
 Project MSOE - MILWAUKEE HOTEL ACQUISITION
 Project Number 12-115
 Date 09/10/13
 Drawn by UWA



Scale 1/16" = 1'-0"
 Drawing No. A-103



FOURTH FLOOR:
 RESIDENT COMMON SPACE: 5,950 SF
 RESIDENTIAL: 3,675
 OTHER: 7,150 SF



Title FOURTH FLOOR PLAN
 Project MSOE - MILWAUKEE HOTEL ACQUISITION
 Project Number 12-115
 Date 09/10/13
 Drawn by UWA



Scale 1/16" = 1'-0"
 Drawing No. A-104



FIFTH FLOOR:
 RESIDENTIAL: 12,025 SF
 OTHER: 2,950 SF



SIXTH FLOOR:
 RESIDENTIAL: 12,025 SF
 OTHER: 2,950 SF



Title SIXTH FLOOR PLAN
 Project MSOE - MILWAUKEE HOTEL ACQUISITION
 Project Number 12-115
 Date 09/10/13
 Drawn by UWA



Scale 1/16" = 1'-0"
 Drawing No. A-106



SEVENTH FLOOR:
 RESIDENTIAL: 12,025 SF
 OTHER: 2,950 SF



EIGHTH FLOOR:
 RESIDENTIAL: 12,025 SF
 OTHER: 2,950 SF



NINTH FLOOR:
 RESIDENTIAL: 12,025 SF
 OTHER: 2,950 SF



Title NINTH FLOOR PLAN
 Project MISOE - MILWAUKEE HOTEL ACQUISITION
 Project Number 12-115
 Date 09/10/13
 Drawn by UWA



Scale 1/16" = 1'-0"
 Drawing No. A-109



TENTH FLOOR:
 RESIDENTIAL: 12,025 SF
 OTHER: 2,950 SF



ELEVENTH FLOOR:
 RESIDENTIAL: 11,325 SF
 OTHER: 2,850 SF



Title
 ELEVENTH FLOOR PLAN

Project
 MSOE - MILWAUKEE HOTEL ACQUISITION

Project Number
 12-115

Date
 09/10/13

Drawn by
 UWA



Scale 1/16" = 1'-0"

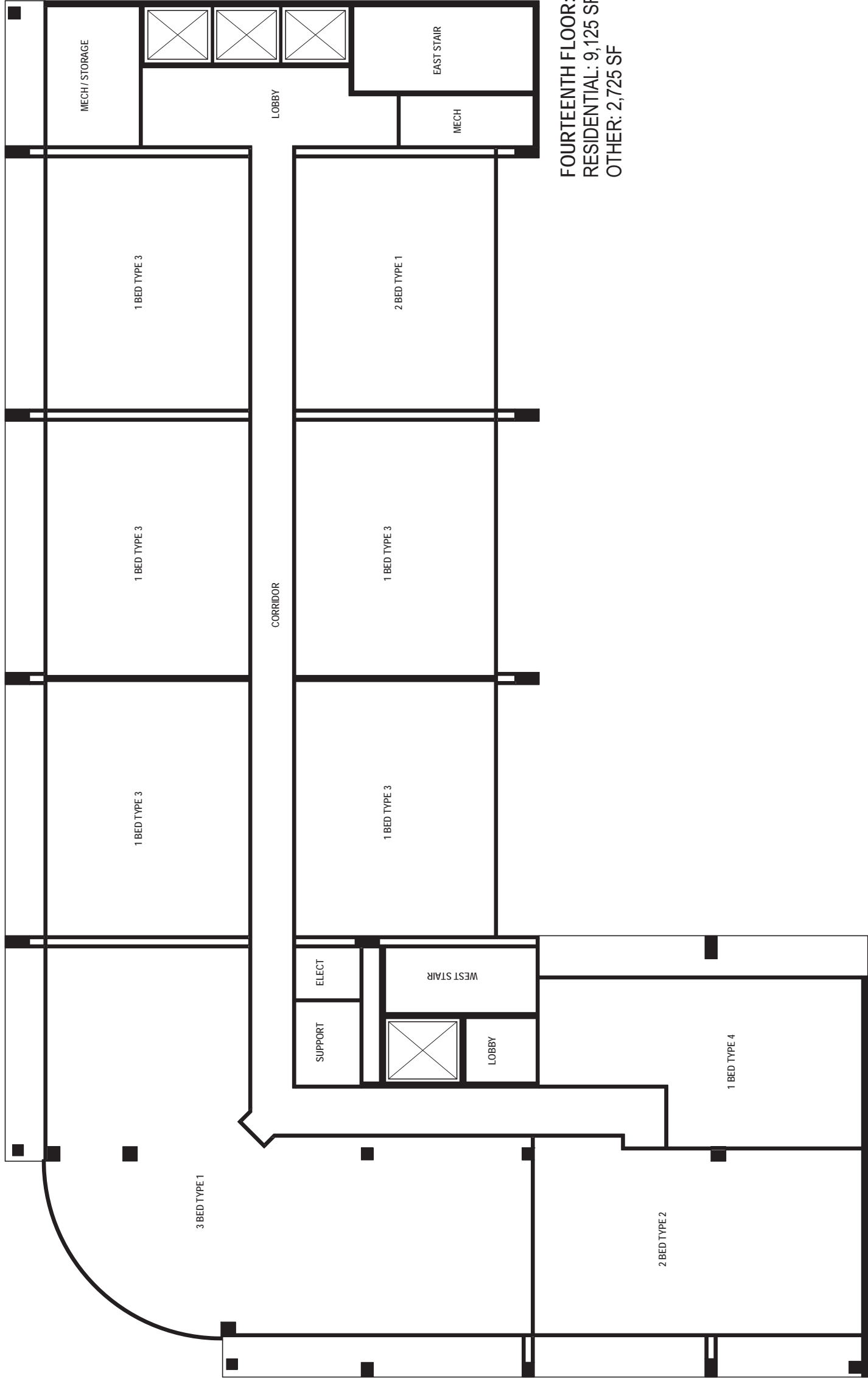
Drawing No.
 A-111



TWELFTH FLOOR:
 RESIDENTIAL: 11,325 SF
 OTHER: 2,850 SF



THIRTEENTH FLOOR:
 RESIDENTIAL: 11,325 SF
 OTHER: 2,850 SF



FOURTEENTH FLOOR:
 RESIDENTIAL: 9,125 SF
 OTHER: 2,725 SF



Title ROOF PLAN
 Project MSOE - MILWAUKEE HOTEL ACQUISITION
 Project Number 12-115
 Date 09/10/13
 Drawn by UWA

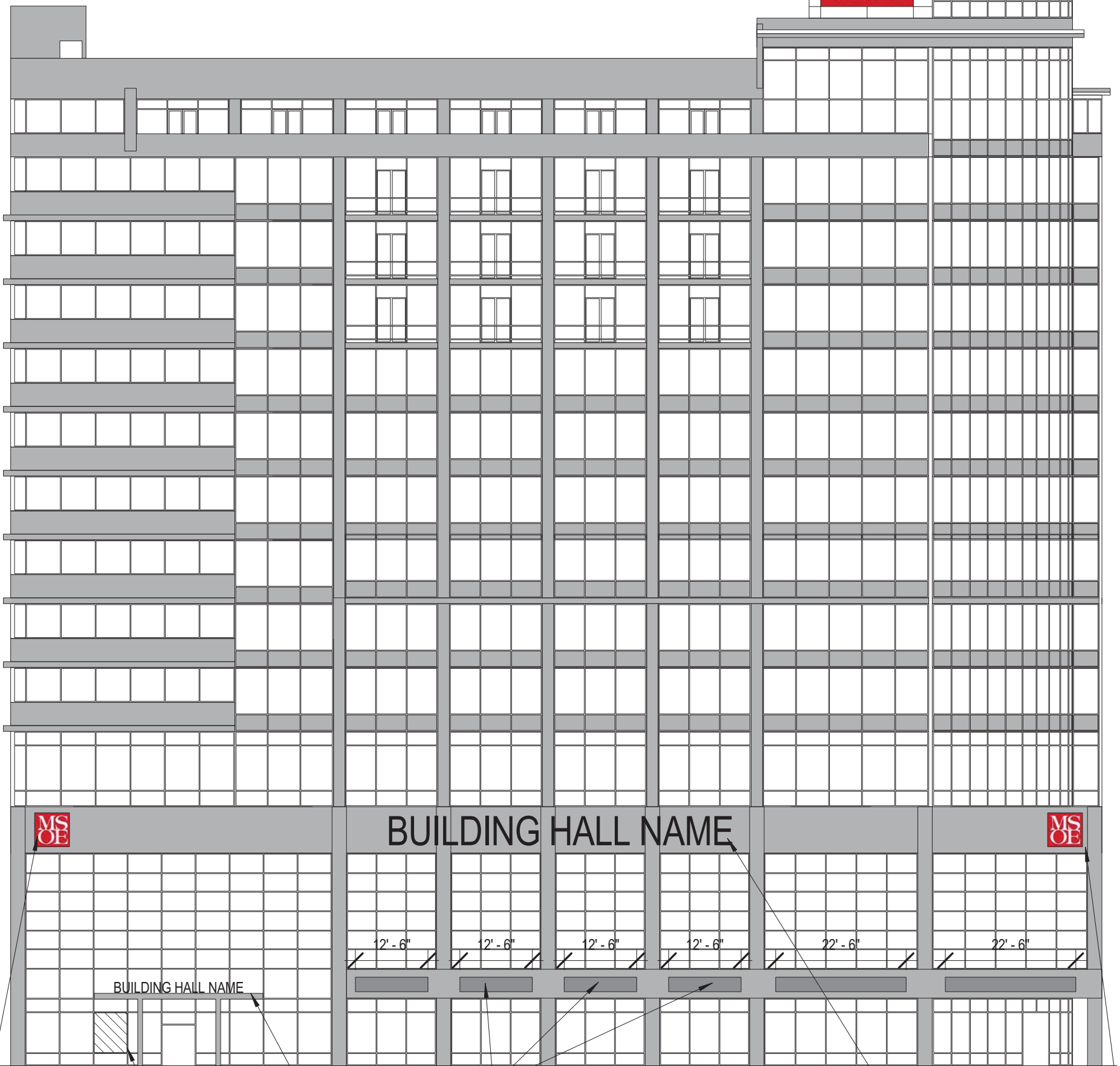


Scale 1/16" = 1'-0"
 Drawing No. A-115

SPANDREL GLAZING TO MATCH EXISTING

METAL PANEL

SIGN TYPE "A",
SIZE 16' x 16'



BUILDING HALL NAME



12' - 6"

12' - 6"

12' - 6"

12' - 6"

22' - 6"

22' - 6"

BUILDING HALL NAME

ILLUMINATED
SIGN TYPE "A",
SIZE 6' x 6'

APPLIED WINDOW
GRAPHICS
TYPE "D"

BUILDING SIGN,
TYPE "E"

RETAIL SIGNAGE TYPE "C"

BUILDING SIGN TYPE "B"

ILLUMINATED SIGN TYPE "A",
SIZE 6' x 6'

1 NORTH EXTERIOR ELEVATION
1" = 20'-0"



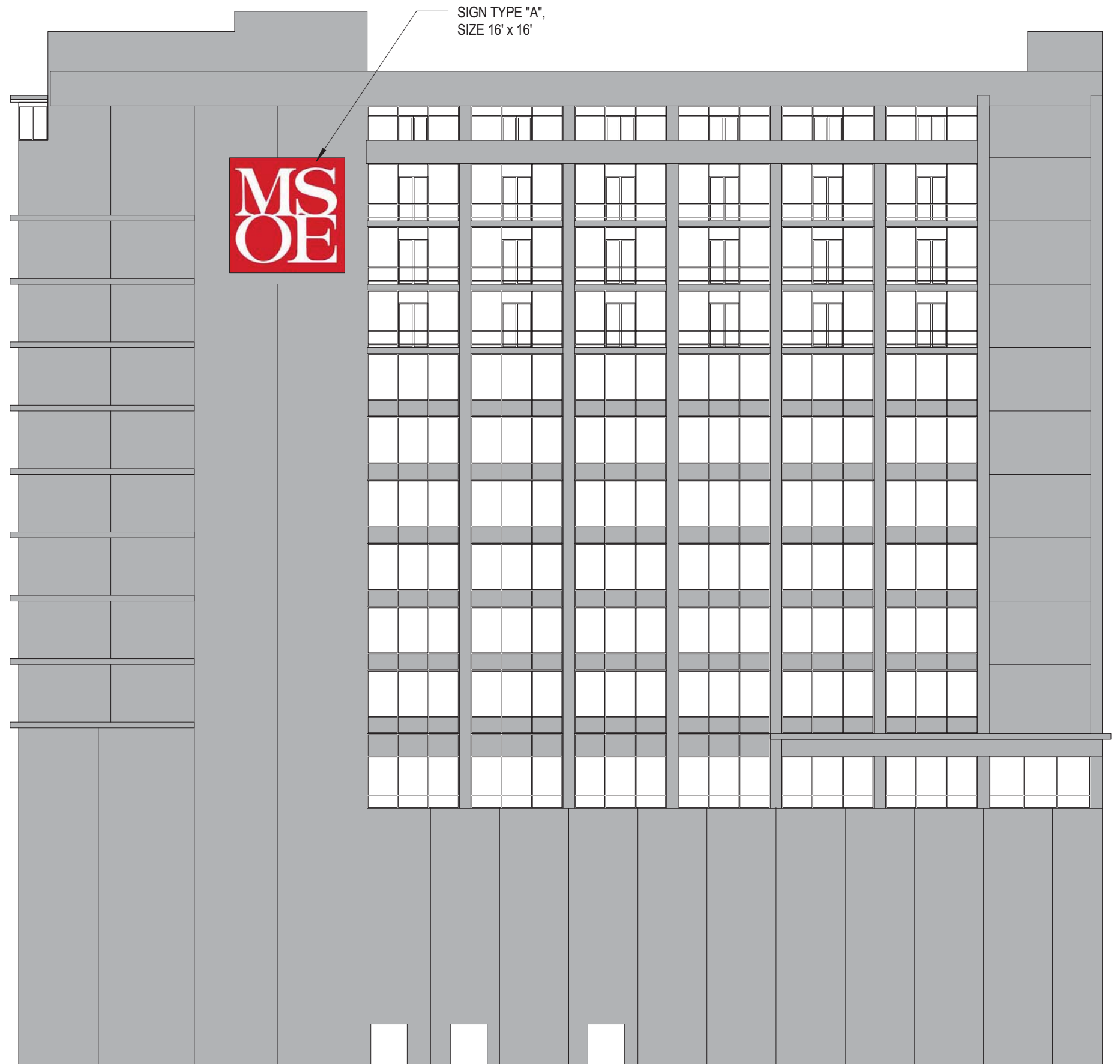
Title	NORTH ELEVATION
Project	MSOE - MILWAUKEE HOTEL ACQUISITION
Project Number	12-115
Date	08/23/13
Drawn by	UWA

Scale As indicated

Drawing No.

A-201





① SOUTH EXTERIOR ELEVATION
1" = 20'-0"



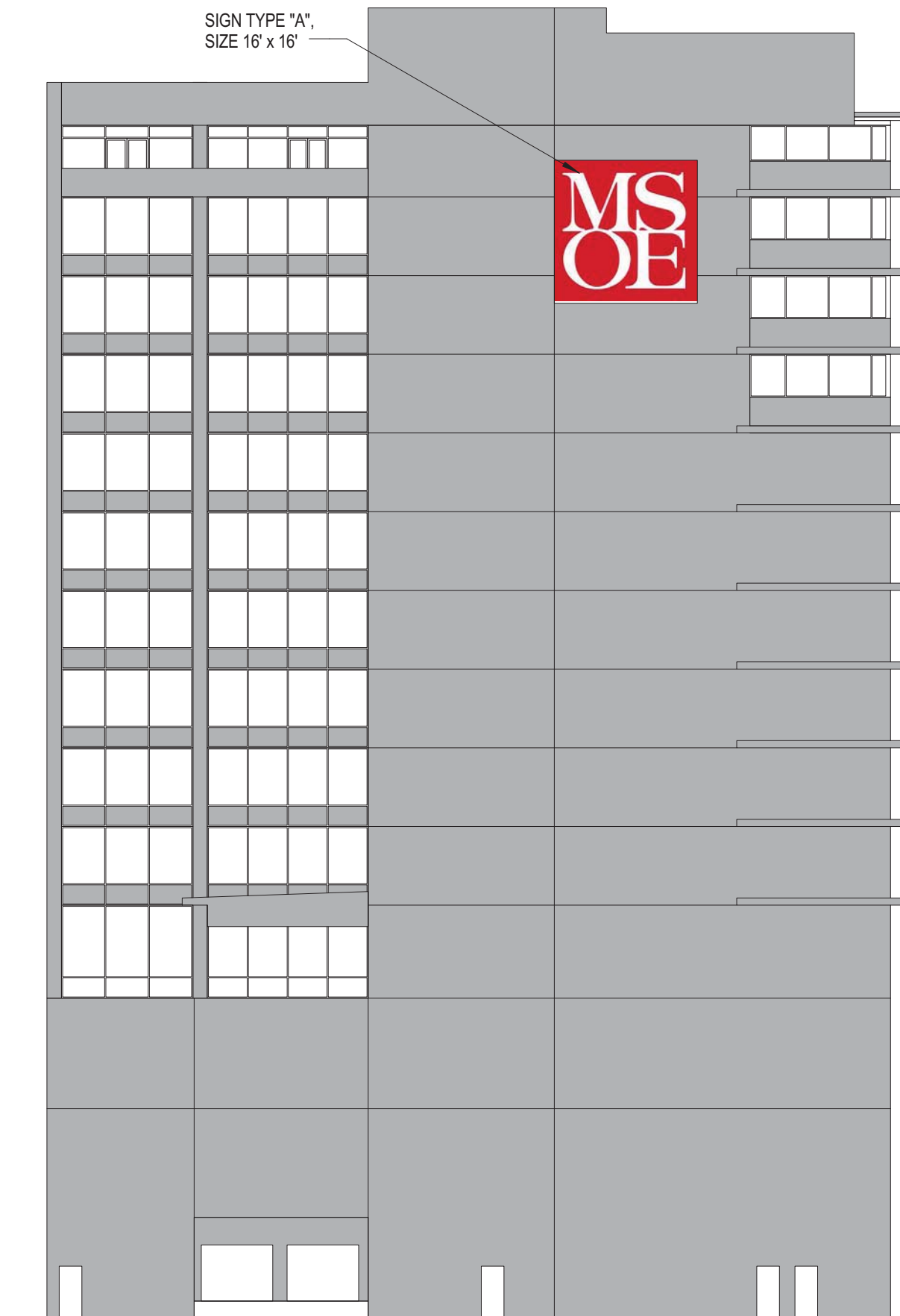
Title	SOUTH ELEVATION
Project	MSOE - MILWAUKEE HOTEL ACQUISITION
Project Number	12-115
Date	08/23/13
Drawn by	UWA

Scale 1" = 20'-0"

Drawing No.

A-202





① EAST EXTERIOR ELEVATION
1" = 20'-0"



Title	EAST ELEVATION
Project	MSOE - MILWAUKEE HOTEL ACQUISITION
Project Number	12-115
Date	08/23/13
Drawn by	UWA

Scale 1" = 20'-0"

Drawing No.

A-203





1 WEST EXTERIOR ELEVATION
1" = 20'-0"



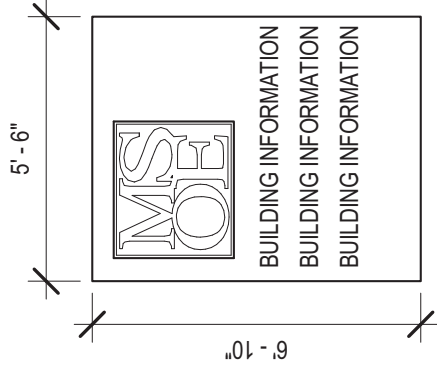
Title	WEST ELEVATION
Project	MSOE - MILWAUKEE HOTEL ACQUISITION
Project Number	12-115
Date	08/23/13
Drawn by	UWA

Scale 1" = 20'-0"

Drawing No.

A-204

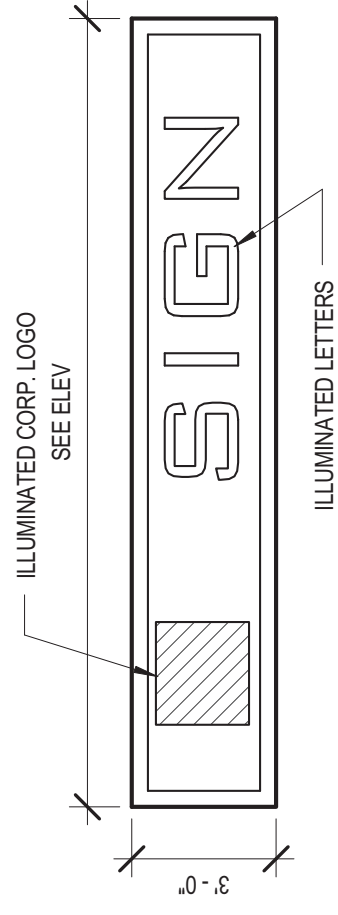




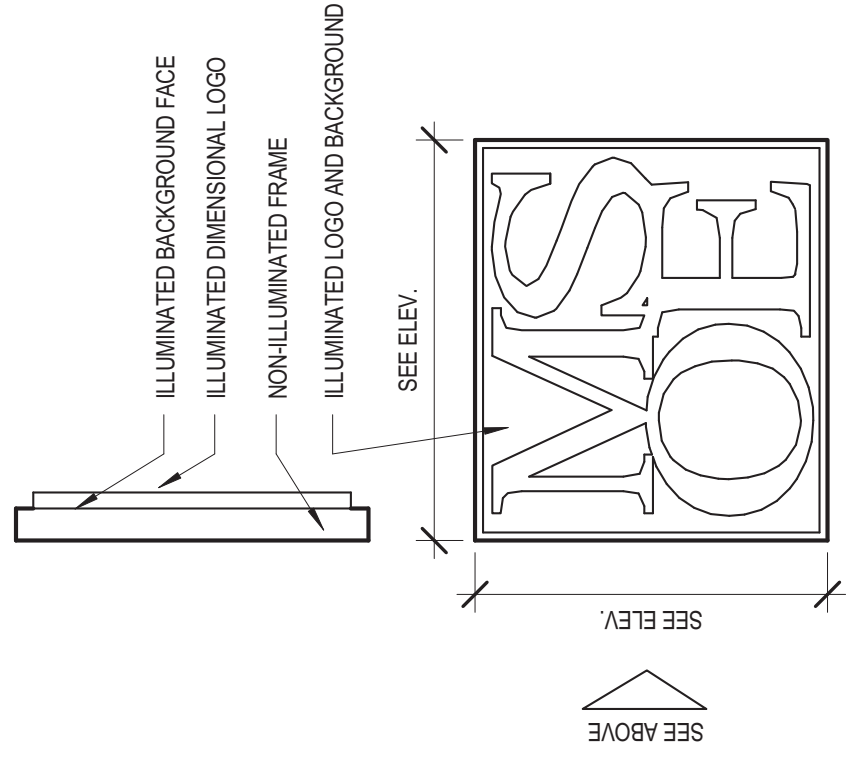
D SIGN TYPE "D"
1/4" = 1'-0"



F SIGN TYPE "F"
1/4" = 1'-0"



C SIGN TYPE "C"
1/4" = 1'-0"



A SIGN TYPE "A"
1/4" = 1'-0"



B SIGN TYPE "B"
1" = 30'-0"



E SIGN TYPE "E"
1" = 30'-0"