



Certificate of Appropriateness

Milwaukee Historic Preservation Commission/200 E. Wells Street/Milwaukee, WI 53202/phone 414-286-5712/fax 414-286-3004

Property 718 E. WELLS ST.
Description of work Install projecting sign between front first floor windows. Install two flood light fixtures nearby to light sign.
Date issued 10/11/2018 PTS ID 114642 COA: projecting sign

In accordance with the provisions of Section 320-21 (11) and (12) of the Milwaukee Code of Ordinances, the Milwaukee Historic Preservation Commission has issued a certificate of appropriateness for the work listed above. The work was found to be consistent with preservation guidelines. The following conditions apply to this certificate of appropriateness:

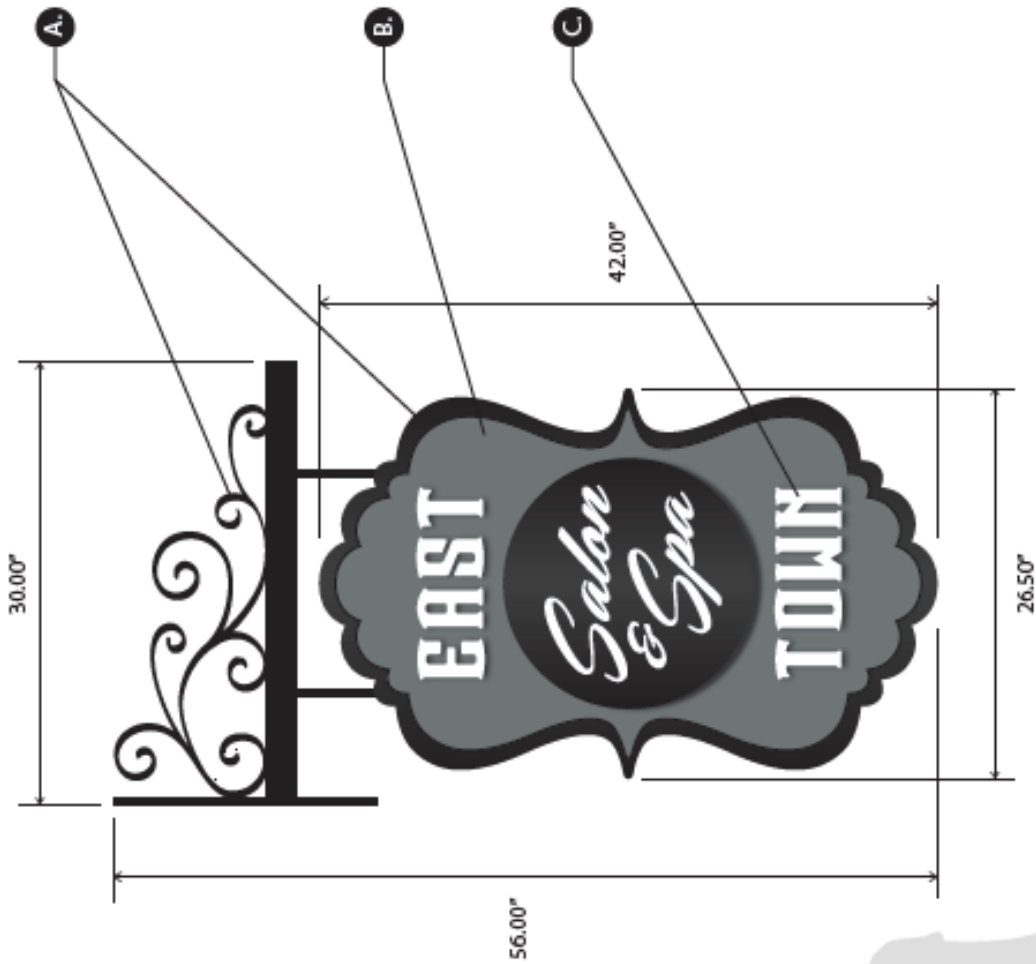
- 1. Mounting posts for sign and lighting shall be drilled into mortar joints only and not into the face of any brick or stone.**
- 2. Lighting is limited to two fixtures at a maximum of 400 lumens each.**

All work must be done in a craftsman-like manner, and must be completed within one year of the date this certificate was issued. Staff must approve any changes or additions to this certificate before work begins. Work that is not completed in accordance with this certificate may be subject to correction orders or citations. If you require technical assistance, please contact Historic Preservation staff as follows: Phone: (414) 286-5712 E-mail hpc@milwaukee.gov.

If permits are required, you are responsible for obtaining them from the Milwaukee Development Center. If you have questions about permit requirements, please consult the Development Center's web site, www.milwaukee.gov/build, or call (414) 286-8210.

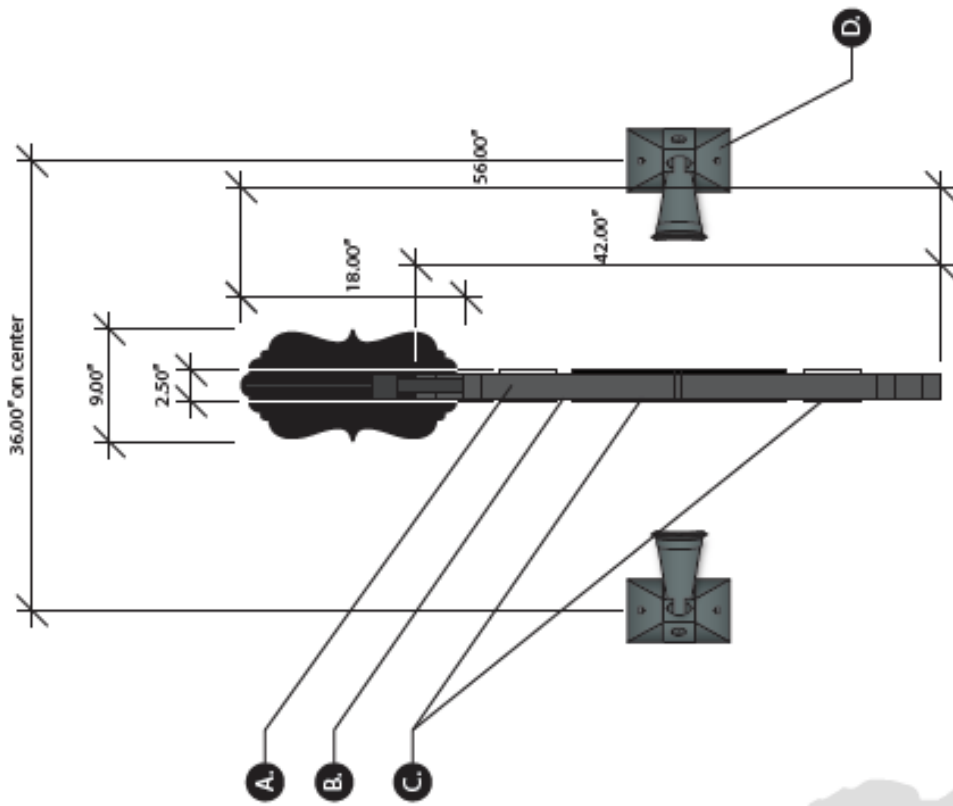
City of Milwaukee Historic Preservation Staff

Copies to: Development Center, Ald. Robert Bauman, Contractor, Natanael Martinez DCD



**EAST TOWN SALON & SPA
OUTDOOR NON-ILLUMINATED SIGN**

- A. Frame/Decorative Pieces: 1/4"-3/8" thick water-jet cut aluminum painted matte black
- B. Sign panel: 3/4" thick composite sign panel with digitally printed 3M/Oracal trimmed vinyl
- C. Lettering: Water-jet cut aluminum painted matte black/matte white



Lighting is limited to a maximum of 400 lumens per fixture.

**EAST TOWN SALON & SPA
OUTDOOR NON-ILLUMINATED SIGN**

- A. Frame/Decorative Pieces: 1/4"-3/8" thick water-jet cut aluminum painted matte black
- B. Sign panel: 3/4" thick composite sign panel with digitally printed 3M/OraCal trimmed vinyl
- C. Lettering: 1/4" aaWater-jet cut aluminum painted matte black/matte white
- D. Lights: Phillips Par 20 Outdoor Flood, 50W Equiv (uses 39 W), 4yr. 500 lumens, 26000K. Opening of light is 3.00" from face of sign (both sides).



Approved light fixture



Mockup of installation