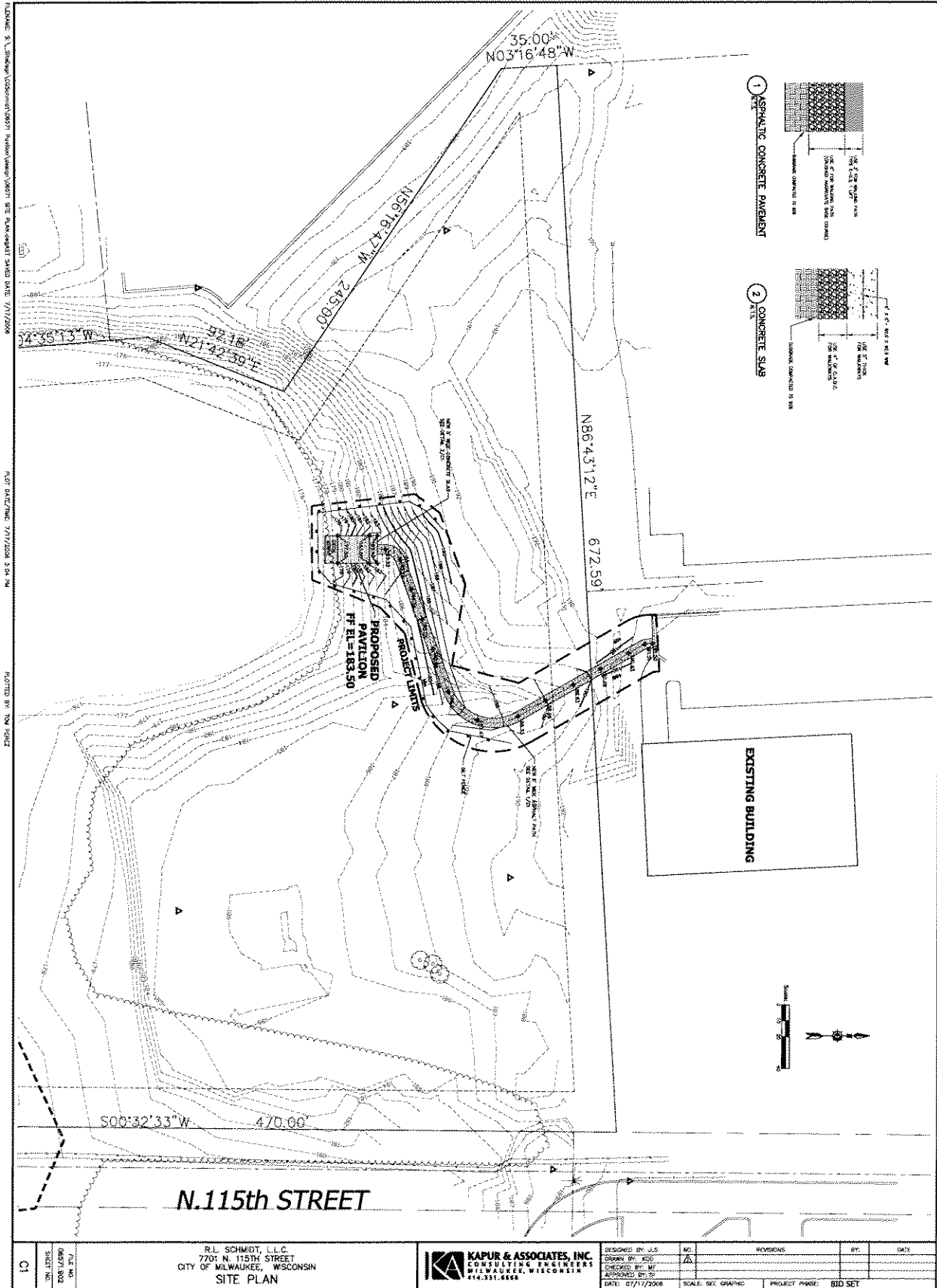
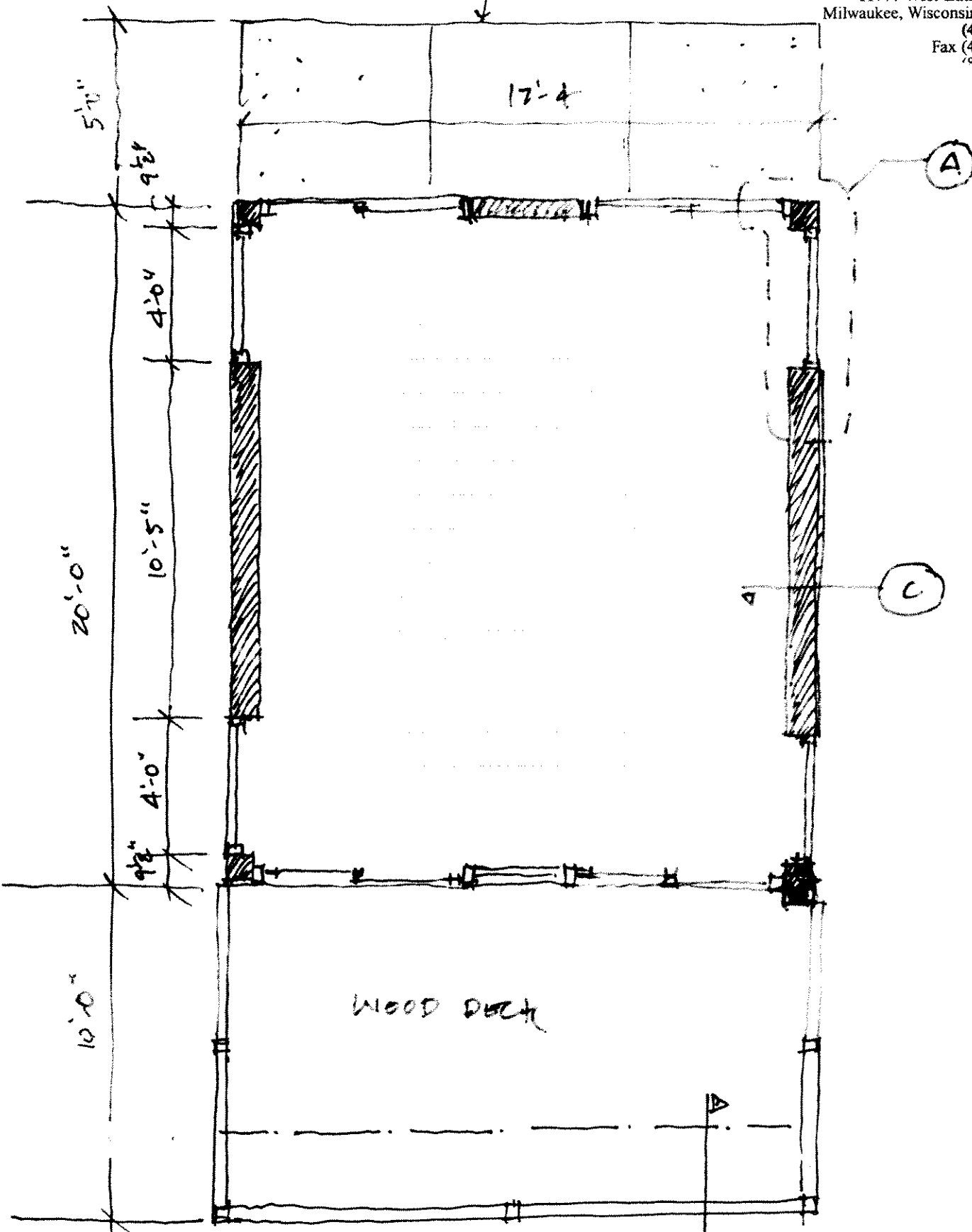


EXHIBIT "A"



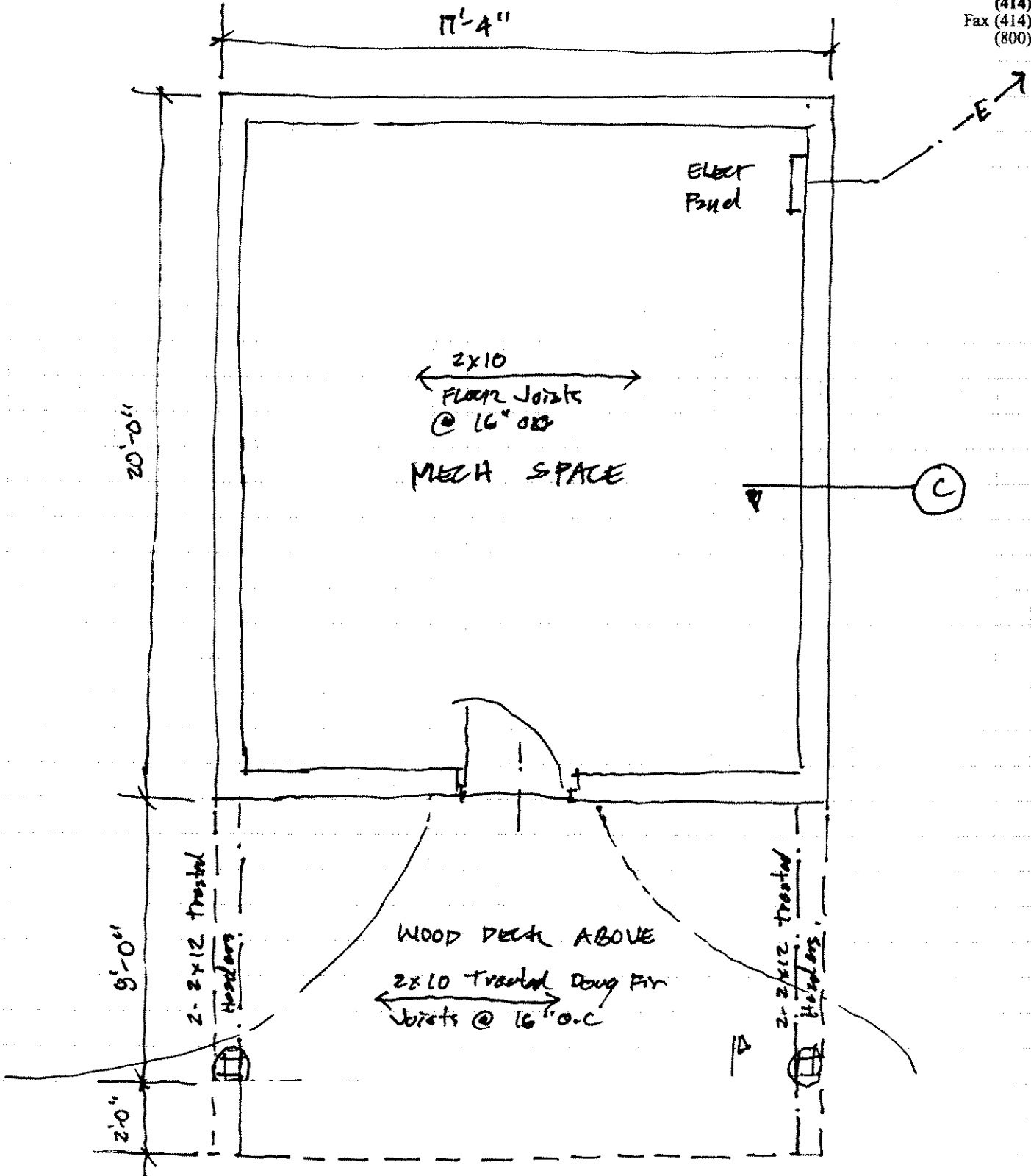
1177 West Lake Park Drive
Milwaukee, Wisconsin 53224-3021
(414) 577-1177
Fax (414) 577-1155
(800) 248-1254

conc. stoop



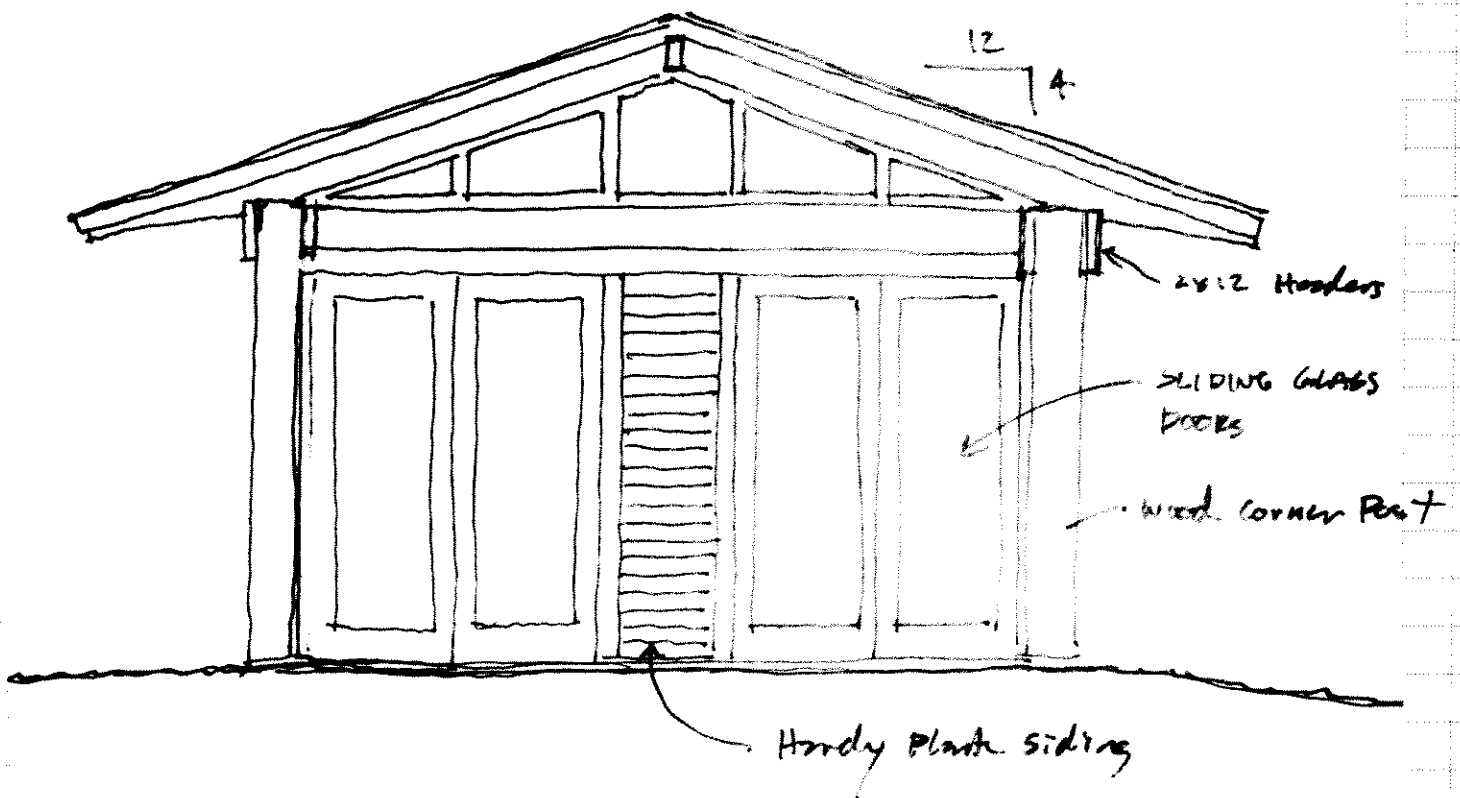
FLOOR PLAN scale 1/4" = 1'-0" (B)

11777 West Lake Park Drive
Milwaukee, Wisconsin 53224-3021
(414) 577-1177
Fax (414) 577-1155
(800) 248-1254



LOWER LEVEL PLAN.
Scale 1/4" = 1'-0"

11777 West Lake Park Drive
Milwaukee, Wisconsin 53224-3021
(414) 577-1177
Fax (414) 577-1155
(800) 248-1254



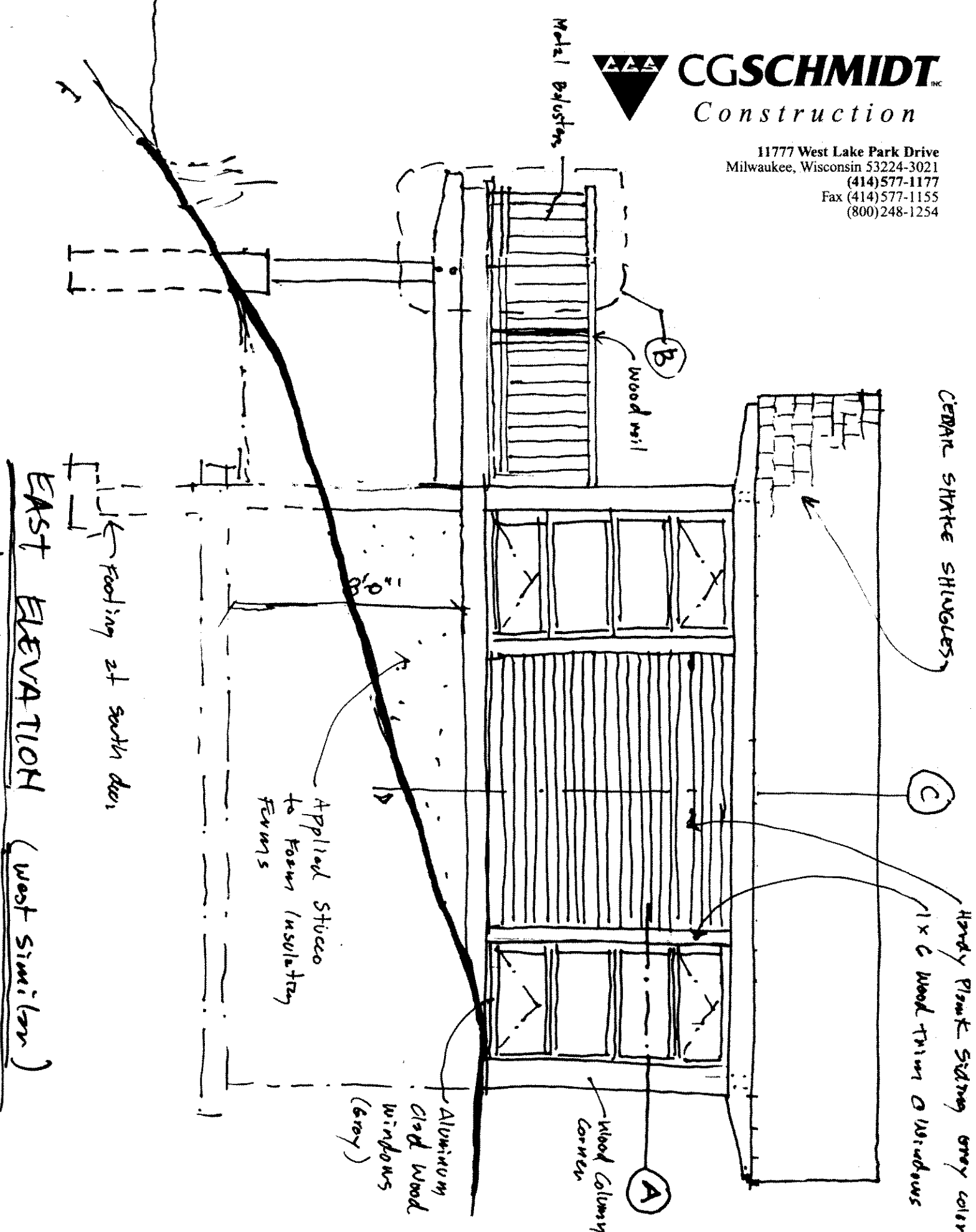
NORTH ELEVATION

Scale $\frac{1}{4}'' = 1'-0''$



CGSCHMIDT
Construction

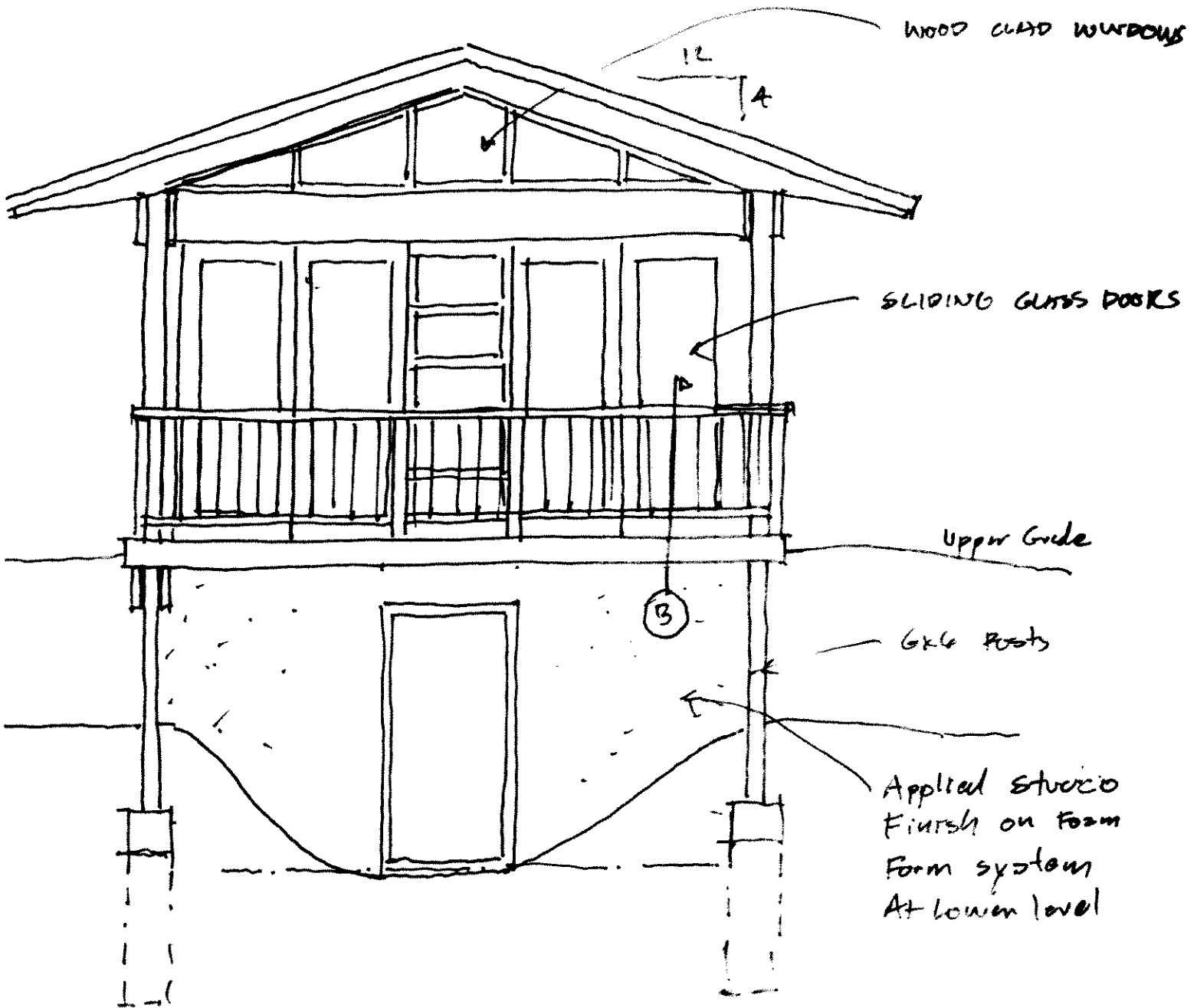
11777 West Lake Park Drive
Milwaukee, Wisconsin 53224-3021
(414) 577-1177
Fax (414) 577-1155
(800) 248-1254



EAST ELEVATION
(most similar)

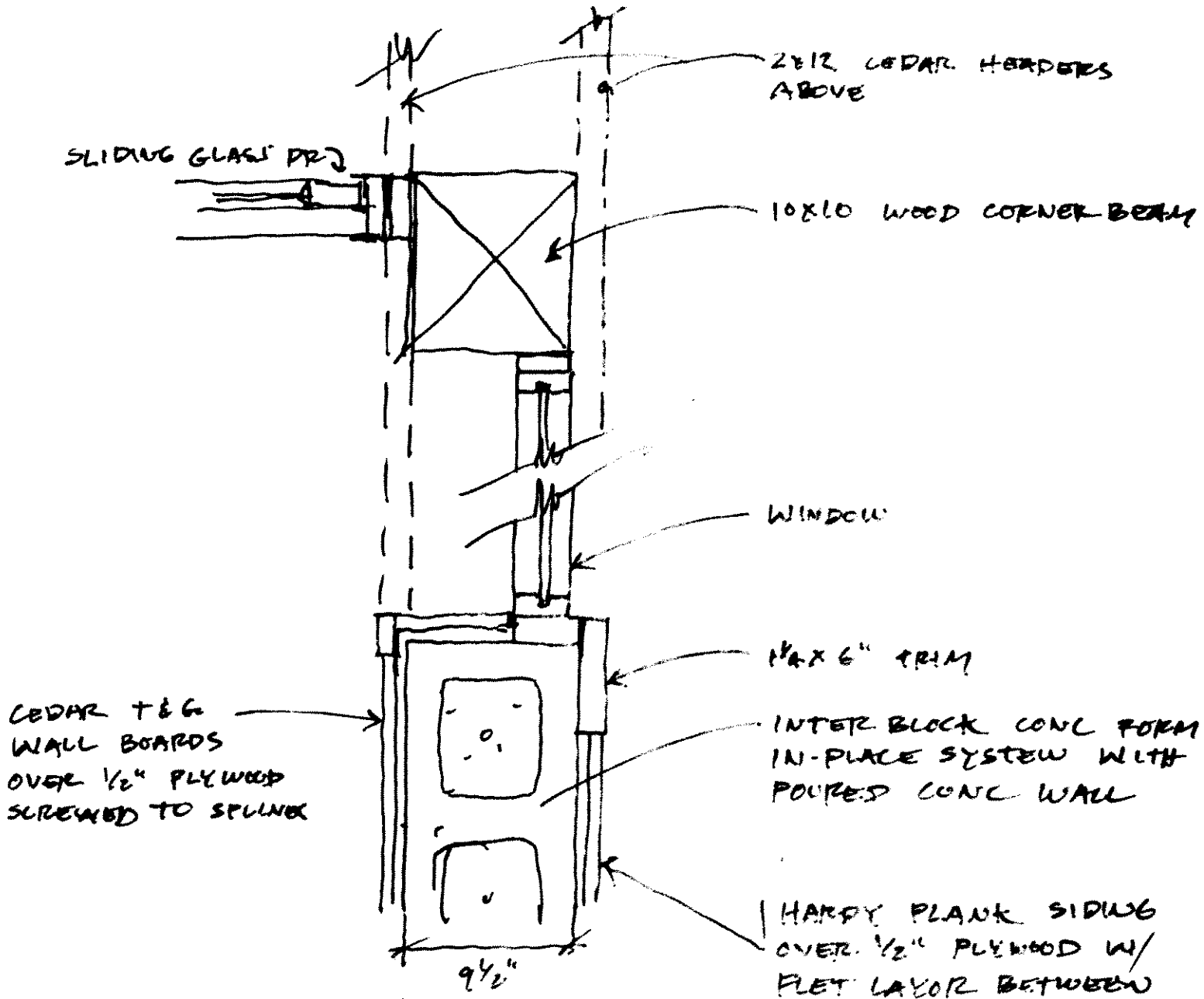
BREAKING NEW GROUND

11777 West Lake Park Drive
Milwaukee, Wisconsin 53224-3021
(414) 577-1177
Fax (414) 577-1155
(800) 248-1254

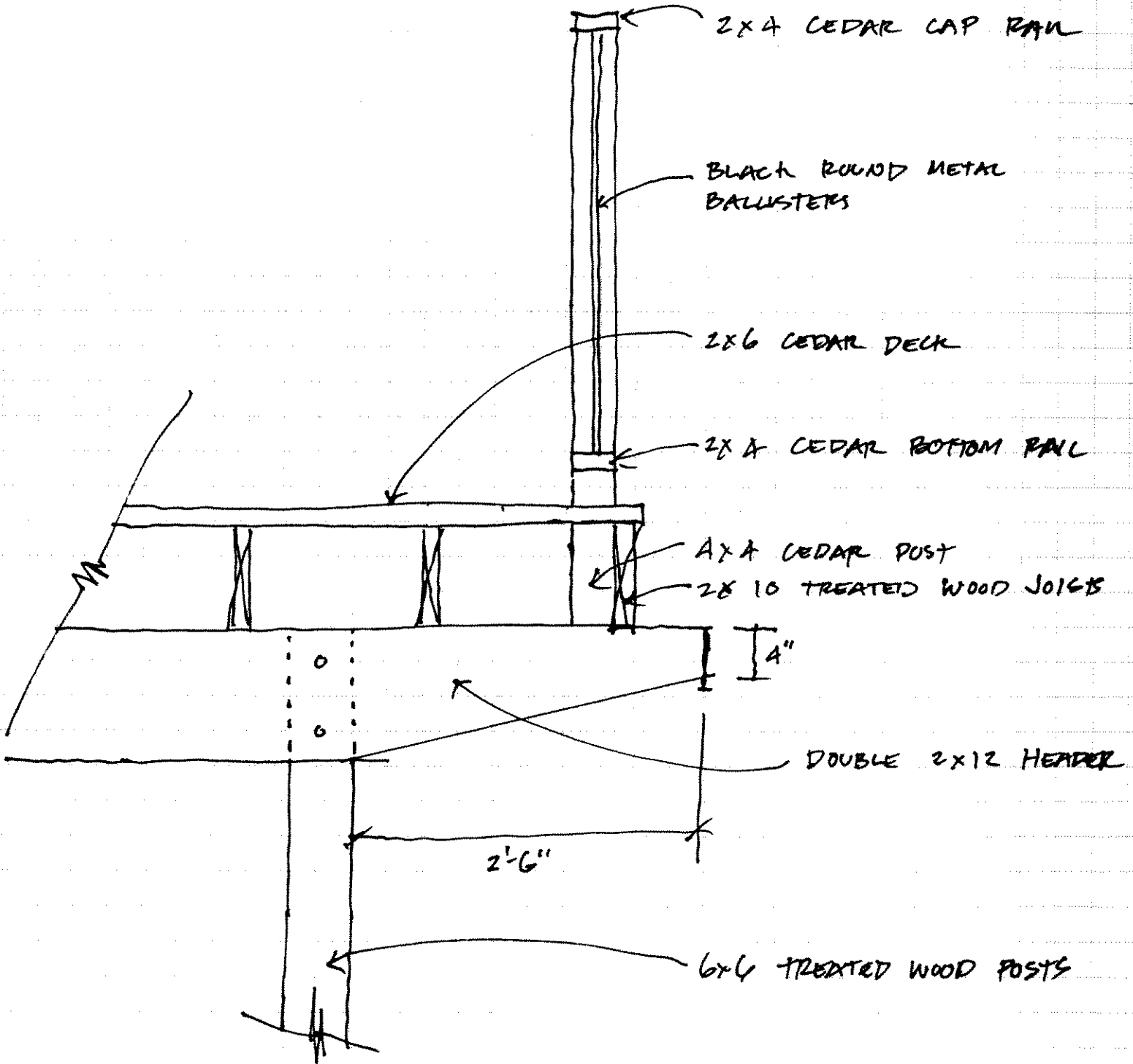


South ELEVATION
Scale 1/4" = 1'-0"

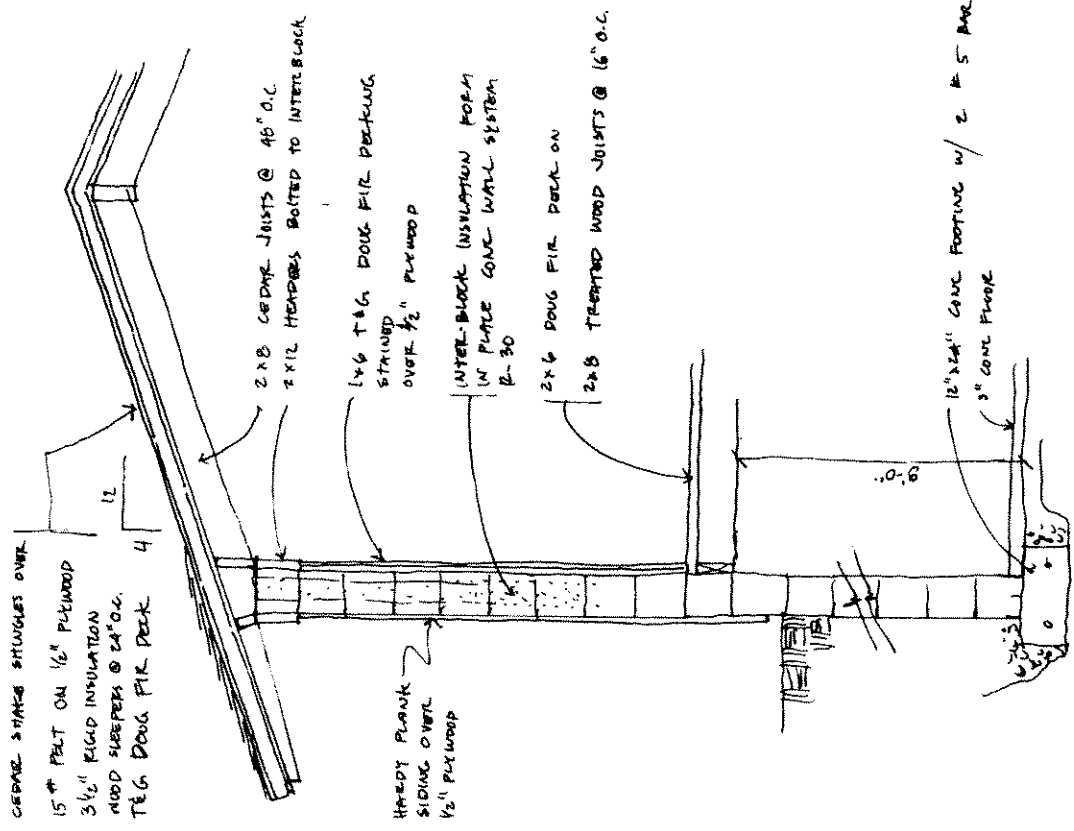
11777 West Lake Park Drive
Milwaukee, Wisconsin 53224-3021
(414) 577-1177
Fax (414) 577-1155
(800) 248-1254



A CORNER DETAIL
scale 1/2" = 1'-0"



(B) DECK DETAIL
Scale 1" = 1'-0"



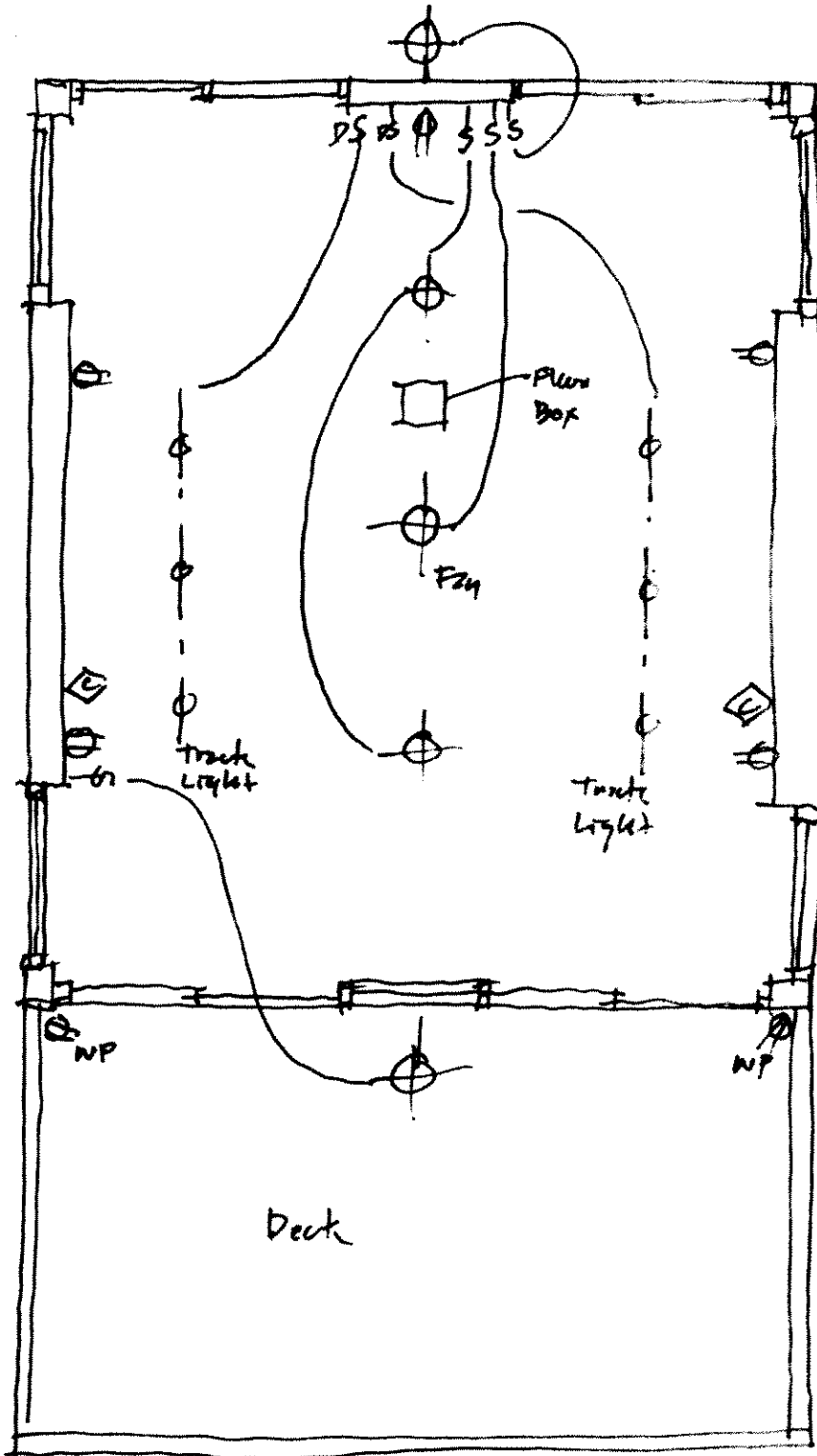
C BUILDING SECTION
 1/2" = 1'-0"



CGSCHMIDT

Construction

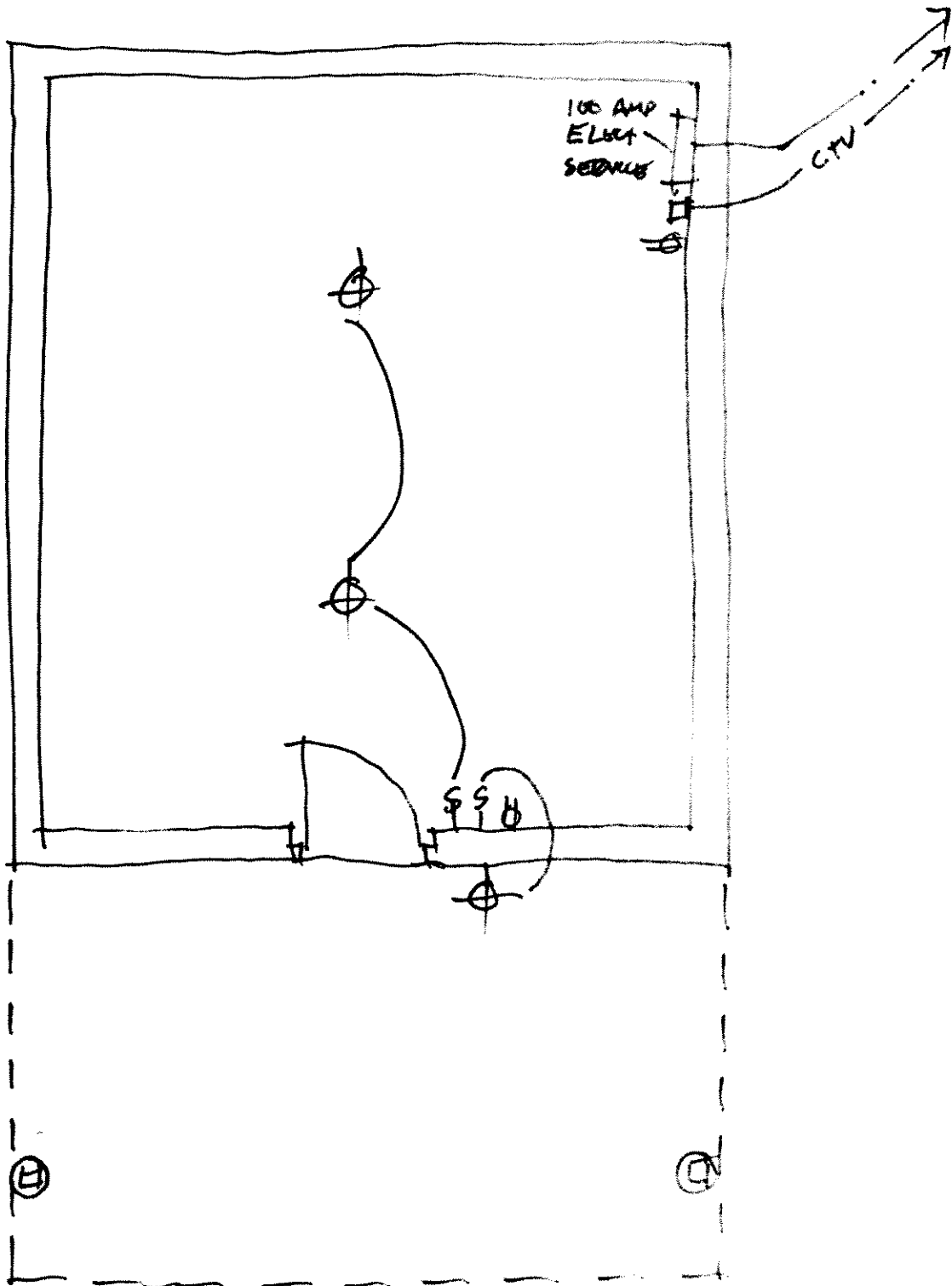
11777 West Lake Park Drive
Milwaukee, Wisconsin 53224-3021
(414) 577-1177
Fax (414) 577-1155
(800) 248-1254



ELECTRICAL PLAN
SCALE $\frac{1}{8}'' = 1'-0''$

BREAKING NEW GROUND

11777 West Lake Park Drive
Wauwatosa, Wisconsin 53224-3021
(414) 577-1177
Fax (414) 577-1155
(800) 248-1254



ELECTRICAL PLAN LOWER LEVEL
Scale 1/4" = 1'-0"

BREAKING NEW GROUND