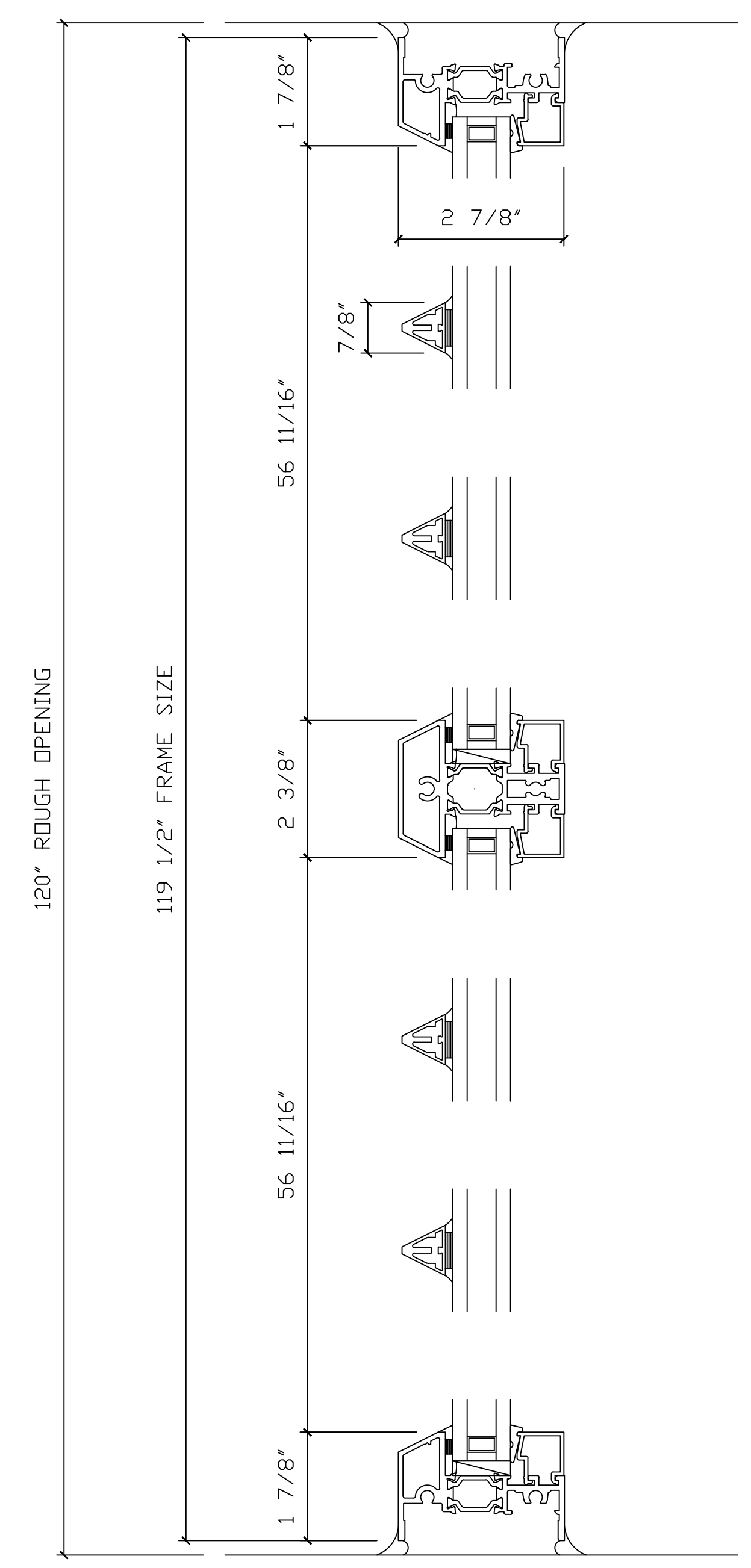
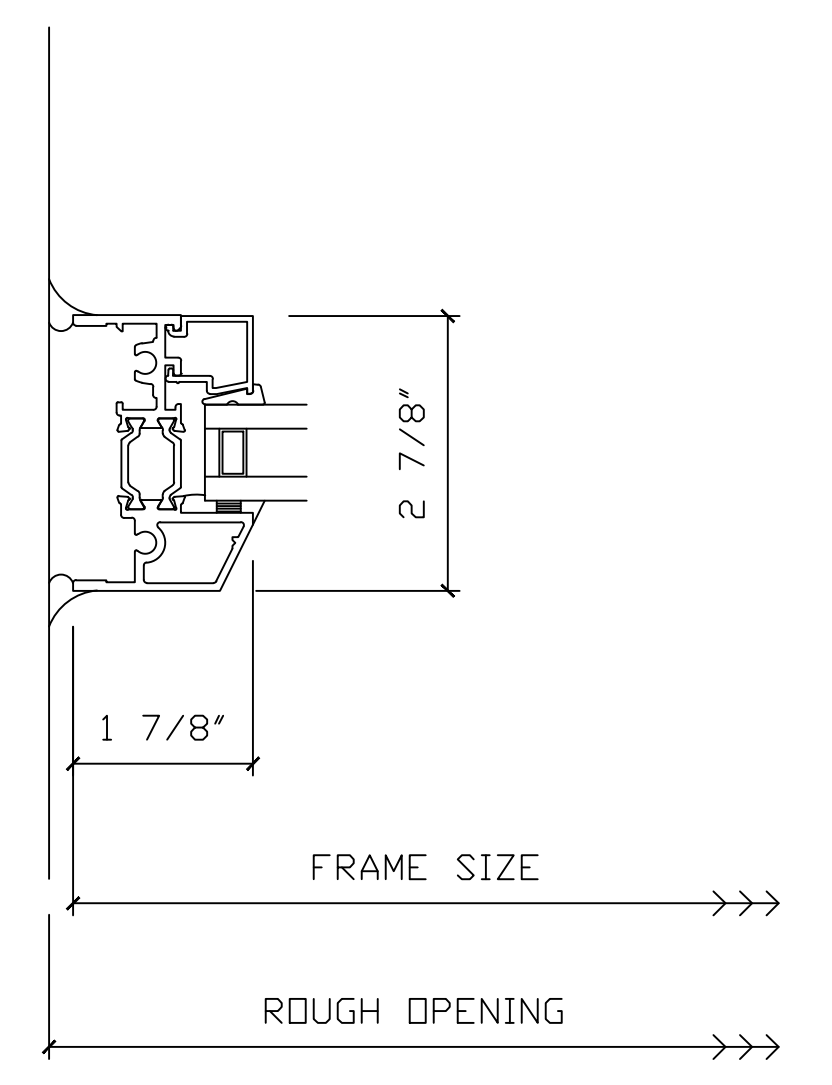


1 FRAME ELEVATION
SCALE: 1/2" = 1'-0" 2250i-XLT



A SECTION @ WINDOW
SCALE: 6" = 1'-0" 2250i-XLT



B SECTION @ WINDOW JAMB
SCALE: 6" = 1'-0" 2250i-XLT

REVISIONS	GLASS TYPES	DOOR HARDWARE	ABBREVIATIONS
	A: 1" INSULATED UNIT 1/4" CLEAR ANNEALED 1/2" AIRSPACE 1/4" CLEAR AN W/ LOW E #3		D.O. - DOOR OPENING F.S. - FRAME SIZE D.L.O. - DAYLITE OPENING M.O. - MASONRY OPENING R.O. - ROUGH OPENING B.O. - BY OTHERS R.D. - REFERENCE DIM.
MPG JOB NUMBER:			



11233 WEST GREENFIELD AVE.
PHONE: (414) 771-5660
FAX: (414) 771-7924

ARCHITECT	
CONTRACTOR	
DRAWN BY JOHN HINTZ	PROJECT MGR. RON MARX
FRAME TYPE WAUSAU INVENT RETRO 2250i-XLT	FINISH DARK BRONZE ANODIZED
DOOR TYPE * N/A *	FINISH * N/A *

JOB NAME AVALON THEATER	
SCALE AS NOTED	PAGE
DATE 03/24/14	1 OF 1