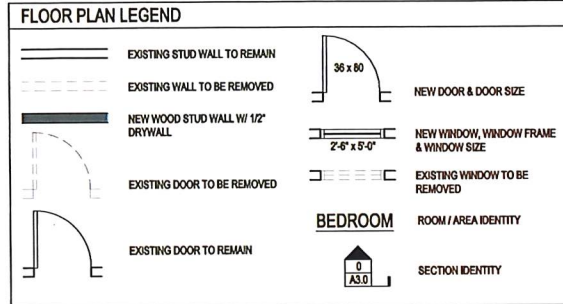


- GENERAL NOTES:**
1. SUB-CONTRACTOR TO VERIFY ALL DIMENSIONS PRIOR TO COMMENCING CONSTRUCTION.
 2. ALL WORK OF THE SUB-CONTRACTOR SHALL BE IN ACCORDANCE WITH APPLICABLE BUILDING CODES AND COMPLY WITH ALL GOVERNING LAWS, AND FEDERAL JURISDICTION INCLUDING THE STATE OF WISCONSIN DEPARTMENT OF NATURAL RESOURCES.
 3. THE SUB-CONTRACTOR SHALL REPORT IMMEDIATELY ANY DISCREPANCIES BETWEEN EXISTING CONDITIONS AND THOSE SHOWN ON THE CONSTRUCTION DOCUMENTS, TO THE ARCHITECT.
 4. DO NOT SCALE DRAWINGS.
 5. VERIFY ALL ROUGH-IN DIMENSIONS FOR ALL BUILT-IN EQUIPMENT PRIOR TO PERFORMING WORK. NO CHANGE ORDERS SHALL BE APPROVED FOR SUB-CONTRACTORS FAILURE TO DO SO.
 6. THE SUB-CONTRACTOR SHALL BE RESPONSIBLE FOR ALL CUTTING, FITTING, OR PATCHING THAT MAY BE REQUIRED TO COMPLETE THE WORK.
 7. REPETITIVE FEATURES IN THE CONSTRUCTION DOCUMENTS ARE OFTEN DRAWN ONLY ONCE AND SHALL BE COMPLETELY PROVIDED AS IF DRAWN IN FULL.
 8. G.C. WILL NOT BE HELD RESPONSIBLE FOR ANY WORK PERFORMED BY SUB-CONTRACTOR WHICH DEVIATES FROM THESE CONSTRUCTION DRAWINGS, UNLESS FIRST APPROVED BY ARCHITECT.



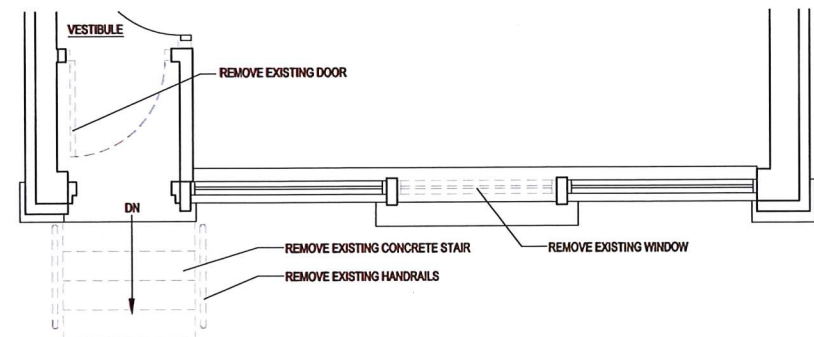
ENTRY STAIR & DOOR



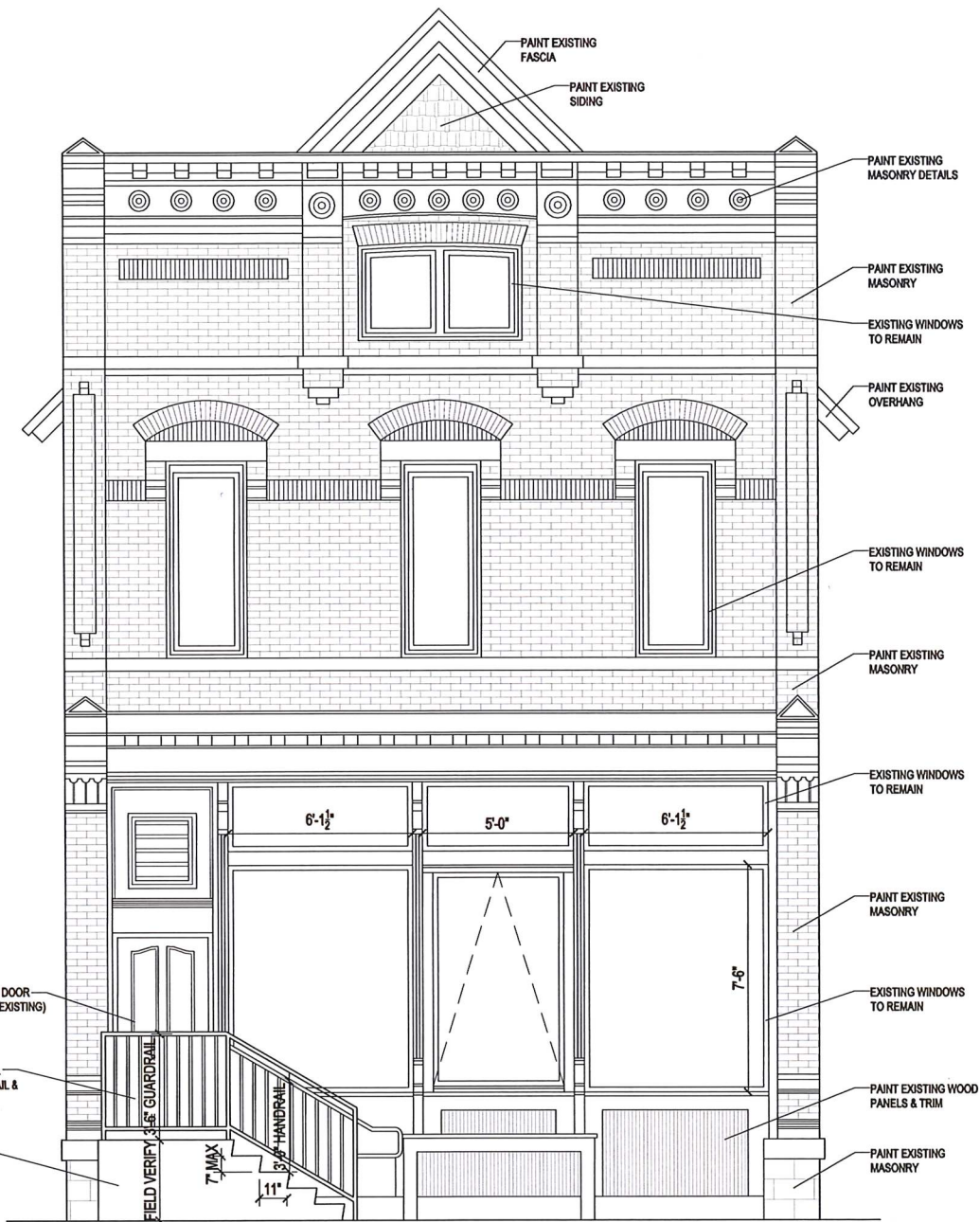
BRADY STREET ELEVATION



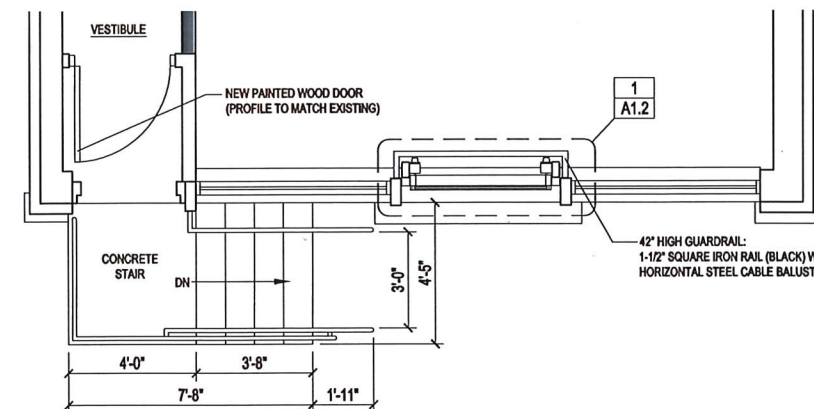
EXISTING SOUTH ELEVATION
3/8" = 1'-0" 2



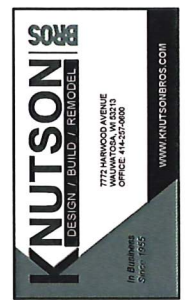
FIRST FLOOR DEMOLITION PLAN
3/8" = 1'-0" 1



PROPOSED SOUTH ELEVATION
3/8" = 1'-0" 4



PROPOSED FIRST FLOOR PLAN
3/8" = 1'-0" 3



PROJECT NAME
NASHVILLE NORTH

PROJECT ADDRESS
**1216 E. Brady Street
Milwaukee, WI 53202**

REVISIONS

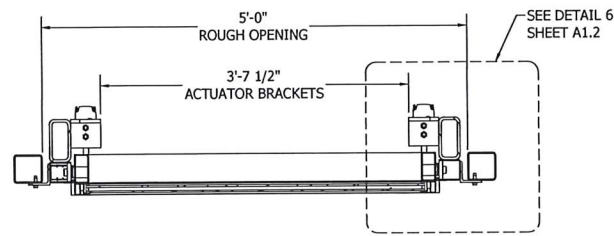
NO.	DESCRIPTION

KNUTSON BROS.
PROJECT NUMBER
2021-01
DATE
September 15, 2021

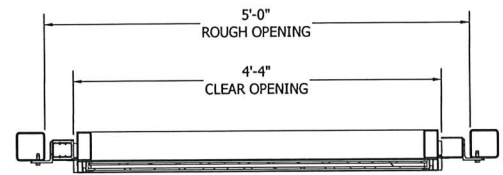
COPYRIGHT ©
KNUTSON BROS.
SHEET TITLE

SHEET NUMBER

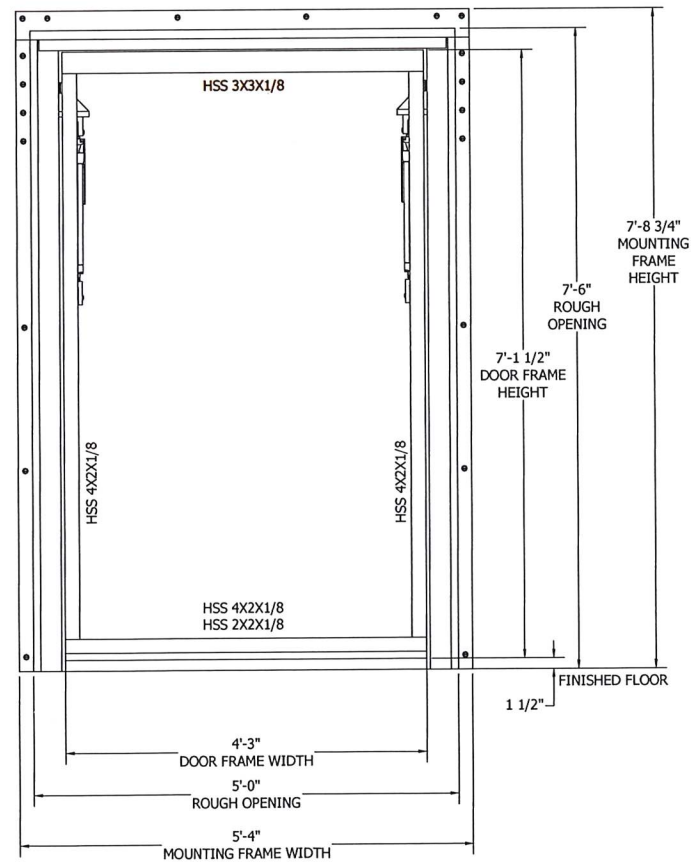
A1.1



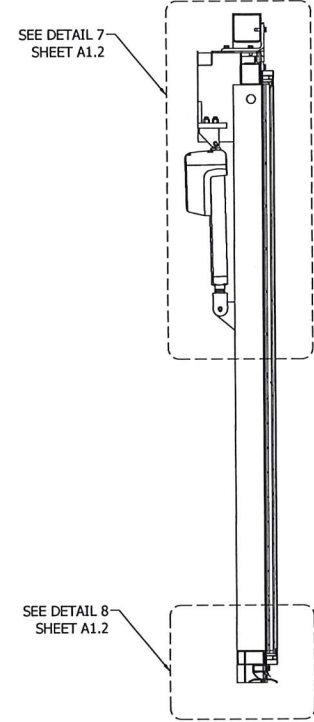
PLAN VIEW ABOVE ACTUATOR 1



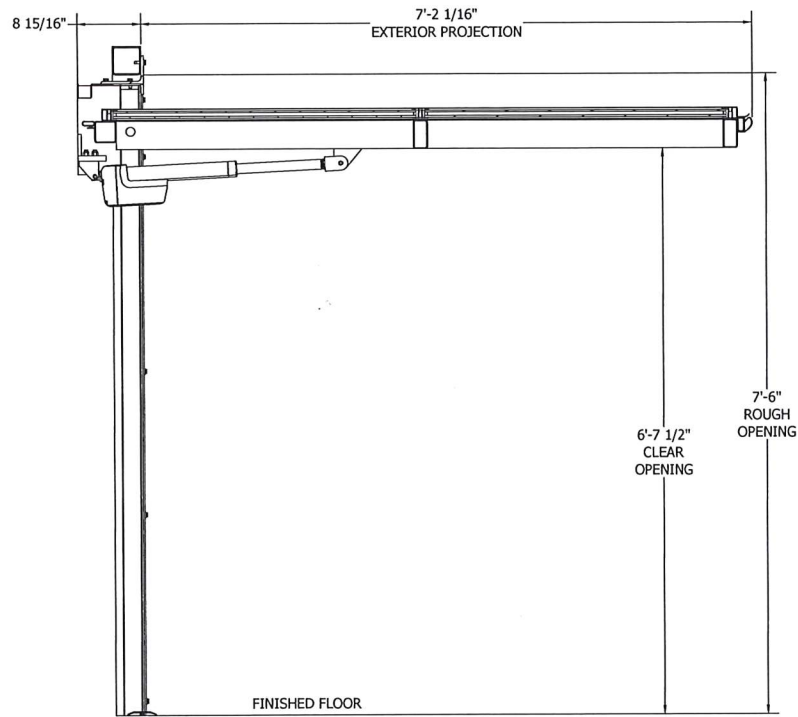
PLAN VIEW BELOW ACTUATOR 2



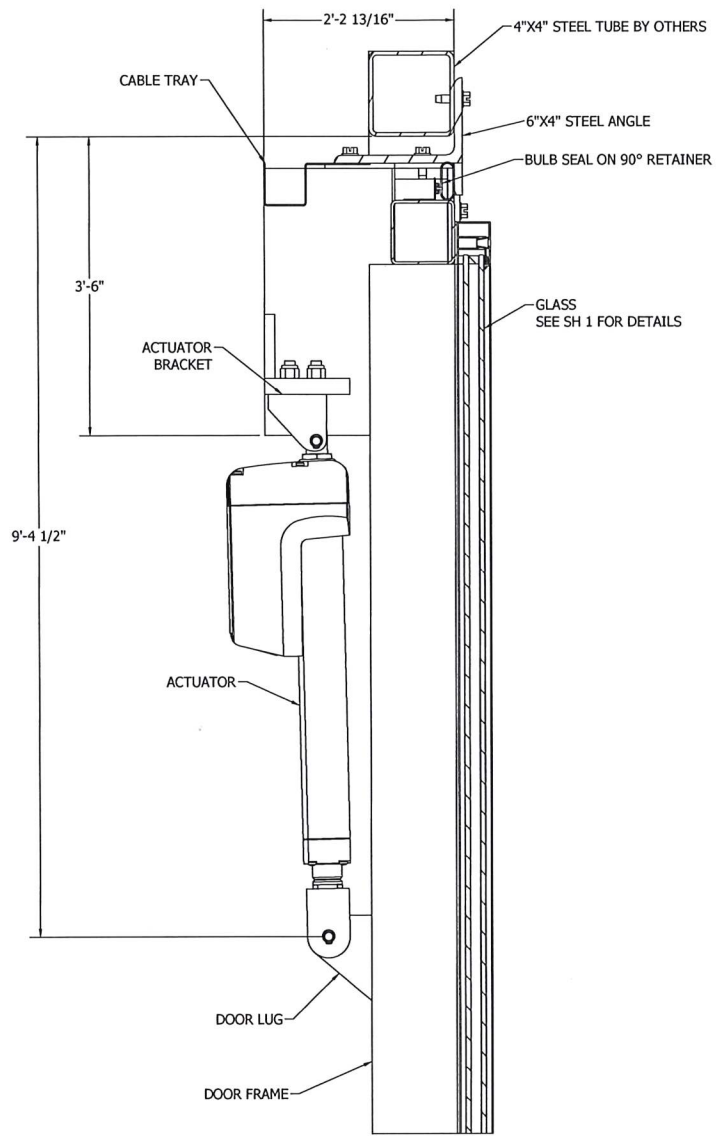
ELEVATION VIEW 3



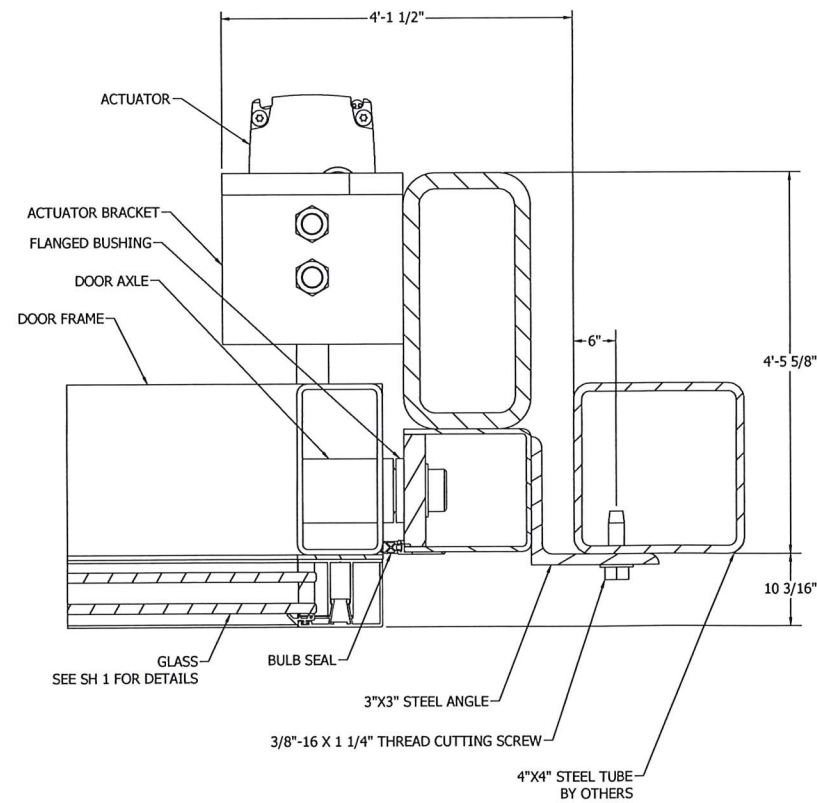
SECTION VIEW CLOSED 4



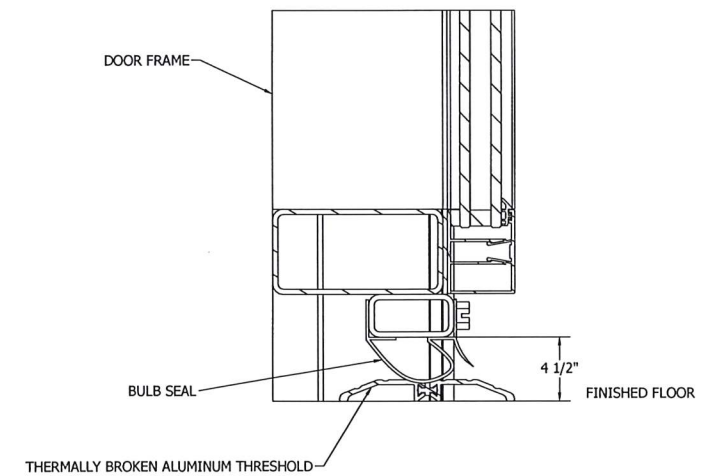
SECTION VIEW OPEN 5



DOOR HEAD 7



JAMB DETAIL 6



DOOR SILL 8



PROJECT NAME
NASHVILLE NORTH

PROJECT ADDRESS
1216 E. Brady Street
Milwaukee, WI 53202

REVISIONS

NO.	DATE	DESCRIPTION

KNUTSON BROS.
PROJECT NUMBER
2021-01

DATE
September 15, 2021

COPYRIGHT ©
KNUTSON BROS.
ALL RIGHTS RESERVED. THIS DOCUMENT IS THE PROPERTY OF KNUTSON BROS. AND IS TO BE USED ONLY FOR THE PROJECT AND LOCATION SPECIFICALLY IDENTIFIED HEREIN. ANY REUSE OF THIS DOCUMENT IS STRICTLY PROHIBITED.

SHEET TITLE

SHEET NUMBER

A1.2