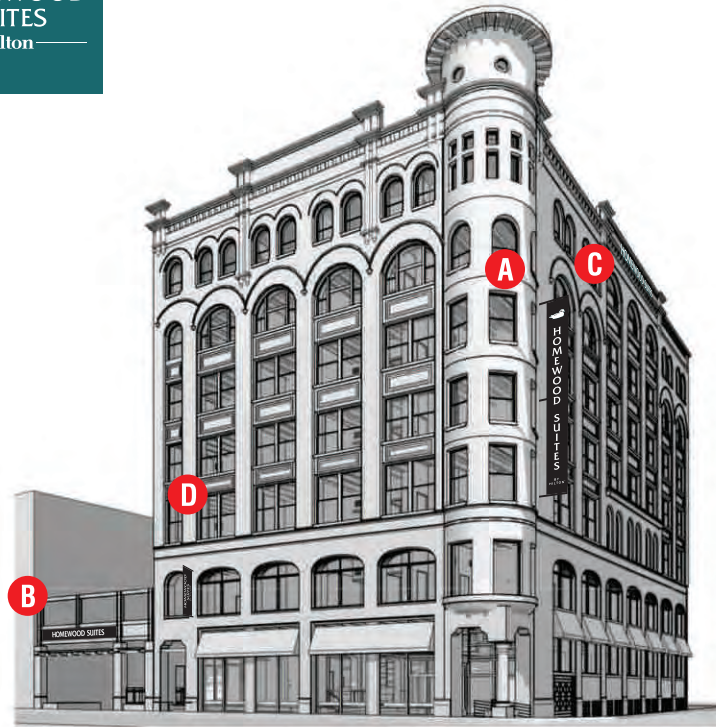
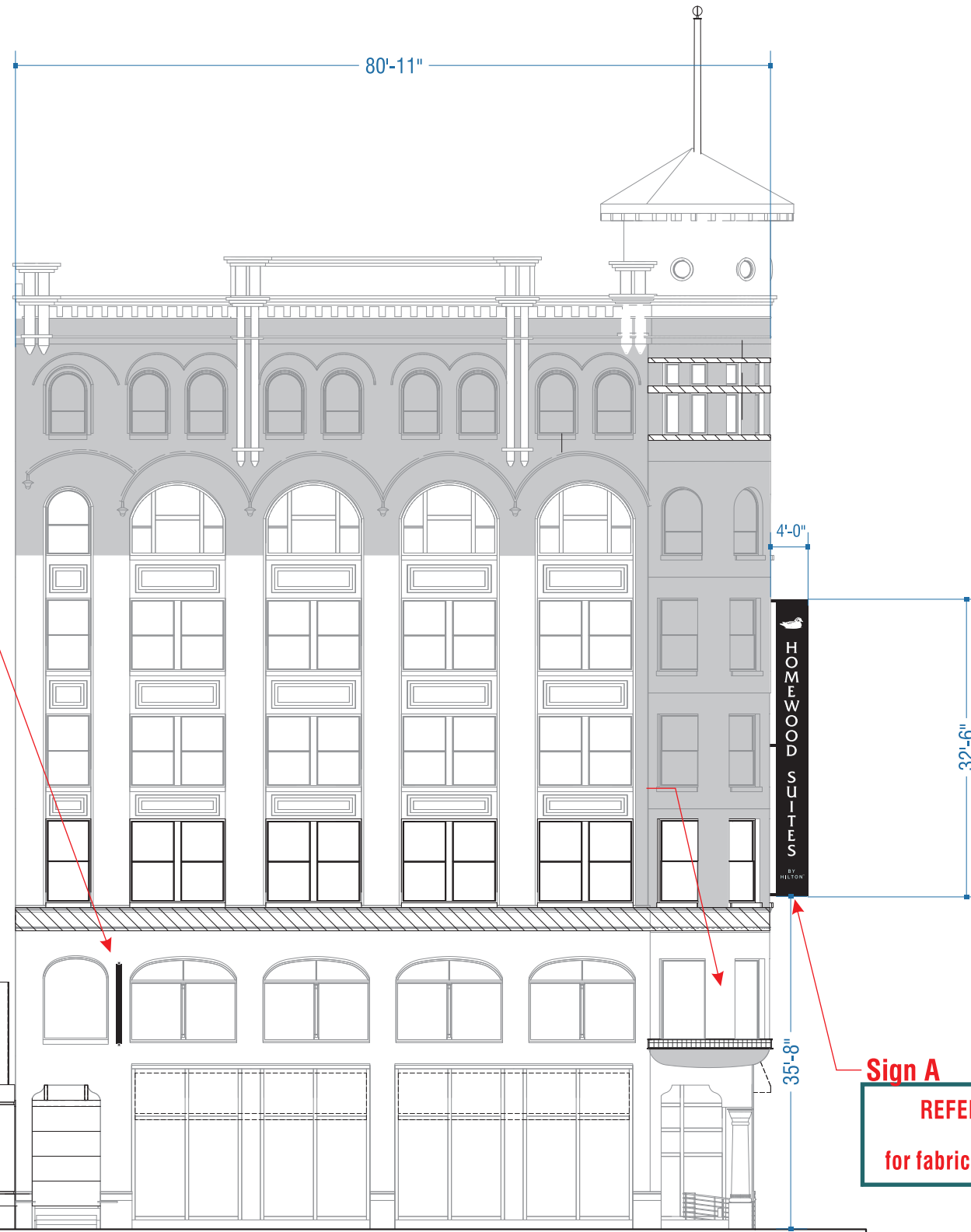




SITE IDENTIFICATION



VIEW FACING NORTHEAST



NOTE:
PRELIMINARY ONLY!!
SITE CONDITIONS
MAY REQUIRE
SPECIAL INSTALL/
MOUNTING.

**SURVEY AND
ADDITIONAL
BUILDING DETAILS
REQUIRED
PRIOR TO MFG!!**

Sign D
REFERENCE DRAWING
#B70977F
for fabrication & color details.

Sign B
REFERENCE DRAWING
#B70977D
for fabrication & color details.

Sign A
REFERENCE DRAWING
#B70977C
for fabrication & color details.

WEST ELEVATION

SCALE: 1/16" = 1'-0"

Milwaukee, WI



THIS IS AN ORIGINAL UNPUBLISHED DRAWING SUBMITTED FOR USE IN CONNECTION WITH A PROJECT BEING PLANNED FOR YOU BY KIEFFER & CO., INC. IT IS NOT TO BE REPRODUCED, COPIED OR EXHIBITED IN ANY FASHION WITHOUT THE WRITTEN PERMISSION OF KIEFFER & CO., INC.

© 2016 KIEFFER & CO., INC.

585 Bond Street - Lincolnshire, IL 60069
PHONE: (847) 520-1255 FAX: (847) 520-1543
www.kieffersigns.com

CUSTOMER: Homewood Suites

LOCATION: Milwaukee, WI

SALESMAN: L. Jones

DESIGNER: MSO

DATE: 05/02/16

- Artwork
 - Design
 - Survey
- All boxes checked to Enter Order



COMPANION FILES

PRODUCTION PROCESSING

| | |
|----------------|--|
| Kieffer Item # | |
| Job # | |
| -001 | |
| -002 | |
| -003 | |
| -004 | |

| | | |
|-----------|---------|--|
| INITIALS: | DATE: | |
| MSO | 6/27/16 | |

| | | | | | | | |
|-----------|-----|------|----|-----|----|------|------|
| REVISION: | Rev | ltrs | to | cab | w/ | push | thru |
| A | | | | | | | |
| B | | | | | | | |
| C | | | | | | | |
| D | | | | | | | |
| E | | | | | | | |
| F | | | | | | | |
| G | | | | | | | |
| H | | | | | | | |
| I | | | | | | | |
| J | | | | | | | |

B70977



SITE IDENTIFICATION



THIS IS AN ORIGINAL UNPUBLISHED DRAWING SUBMITTED FOR USE IN CONNECTION WITH A PROJECT BEING PLANNED FOR YOU BY KIEFFER & CO., INC. IT IS NOT TO BE REPRODUCED, COPIED OR EXHIBITED IN ANY FASHION WITHOUT THE WRITTEN PERMISSION OF KIEFFER & CO., INC.

© 2016 KIEFFER & CO., INC.

585 Bond Street - Lincolnshire, IL 60069
PHONE: (847) 520-1255 FAX: (847) 520-1543
www.kieffersigns.com

CUSTOMER: Homewood Suites

LOCATION: Milwaukee, WI

SALESMAN: L. Jones

DESIGNER: MSO

DATE: 05/02/16

- Artwork
 - Design
 - Survey
- All boxes checked to Enter Order



COMPANION FILES

PRODUCTION PROCESSING

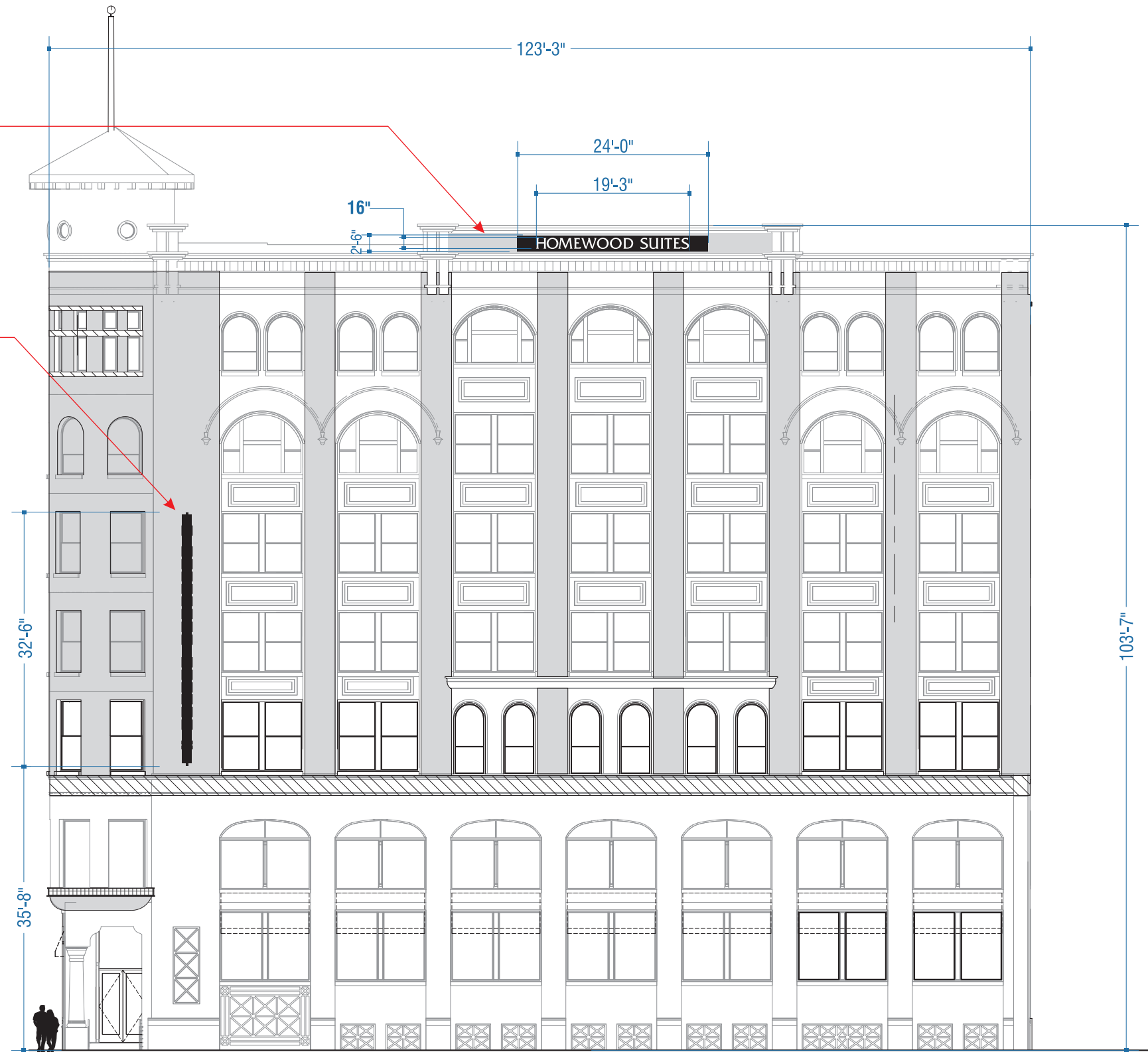
| | |
|----------------|--|
| Kieffer Item # | |
| Job # | |
| -001 | |
| -002 | |
| -003 | |
| -004 | |

| | | | | | | | | | | | | | | | | | | | | | |
|-----------|-----|------------------------------|--|--|--|--|--|--|--|--|--|--|--|--|--|--|--|--|--|--|--|
| INITIALS: | MSO | 6/27/16 | | | | | | | | | | | | | | | | | | | |
| | MSO | 7/8/16 | | | | | | | | | | | | | | | | | | | |
| REVISION: | A | Rev ltrs to cab w/ push thru | | | | | | | | | | | | | | | | | | | |
| | B | Reduce Sign C by 25% | | | | | | | | | | | | | | | | | | | |

Sign C
REFERENCE DRAWING #B70977E for fabrication & color details.

Sign A
REFERENCE DRAWING #B70977C for fabrication & color details.

NOTE:
PRELIMINARY ONLY!!
SITE CONDITIONS MAY REQUIRE SPECIAL INSTALL/MOUNTING.
SURVEY AND ADDITIONAL BUILDING DETAILS REQUIRED PRIOR TO MFG!!



SOUTH ELEVATION

SCALE: 1/16"=1'-0"

Milwaukee, WI

B70977A



SITE IDENTIFICATION



Sign D
REFERENCE DRAWING
#B70977F
for fabrication & color details.

NOTE:
PRELIMINARY ONLY!!
SITE CONDITIONS
MAY REQUIRE
SPECIAL INSTALL/
MOUNTING.

SURVEY AND
ADDITIONAL
BUILDING DETAILS
REQUIRED
PRIOR TO MFG!!

NORTH ELEVATION

SCALE: 1/16"=1'-0"

Milwaukee, WI



THIS IS AN ORIGINAL UNPUBLISHED DRAWING SUBMITTED FOR USE IN CONNECTION WITH A PROJECT BEING PLANNED FOR YOU BY KIEFFER & CO., INC. IT IS NOT TO BE REPRODUCED, COPIED OR EXHIBITED IN ANY FASHION WITHOUT THE WRITTEN PERMISSION OF KIEFFER & CO., INC.

© 2016 KIEFFER & CO., INC.
 585 Bond Street - Lincolnshire, IL 60069
 PHONE: (847) 520-1255 FAX: (847) 520-1543
www.kieffersigns.com

CUSTOMER: Homewood Suites
 LOCATION: Milwaukee, WI
 SALESMAN: L. Jones
 DESIGNER: MSO
 DATE: 05/02/16

- Artwork
 - Design
 - Survey
- All boxes checked to Enter Order



COMPANION FILES

PRODUCTION PROCESSING

| Kieffer Item # | Job # |
|----------------|-------|
| -001 | |
| -002 | |
| -003 | |
| -004 | |

| REVISION: | INITIALS: | DATE: | | | | | | | | | | | | | | | | | | |
|-----------|-----------|---------|--|--|--|--|--|--|--|--|--|--|--|--|--|--|--|--|--|--|
| A | MSO | 6/27/16 | | | | | | | | | | | | | | | | | | |
| B | | | | | | | | | | | | | | | | | | | | |
| C | | | | | | | | | | | | | | | | | | | | |
| D | | | | | | | | | | | | | | | | | | | | |
| E | | | | | | | | | | | | | | | | | | | | |
| F | | | | | | | | | | | | | | | | | | | | |
| G | | | | | | | | | | | | | | | | | | | | |
| H | | | | | | | | | | | | | | | | | | | | |
| I | | | | | | | | | | | | | | | | | | | | |
| J | | | | | | | | | | | | | | | | | | | | |

B70977B



**CUSTOM D/F Internally Illuminated Projecting Wall Sign
w/ Push Thru Letters**
Sign A



THIS IS AN ORIGINAL UNPUBLISHED DRAWING SUBMITTED FOR USE IN CONNECTION WITH A PROJECT BEING PLANNED FOR YOU BY KIEFFER & CO., INC. IT IS NOT TO BE REPRODUCED, COPIED OR EXHIBITED IN ANY FASHION WITHOUT THE WRITTEN PERMISSION OF KIEFFER & CO., INC.

© 2016 KIEFFER & CO., INC.

585 Bond Street - Lincolnshire, IL 60069
PHONE: (847) 520-1255 FAX: (847) 520-1543
www.kieffersigns.com

CUSTOMER: Homewood Suites
LOCATION: Milwaukee, WI
SALESMAN: L. Jones
DESIGNER: MSO
DATE: 05/02/16

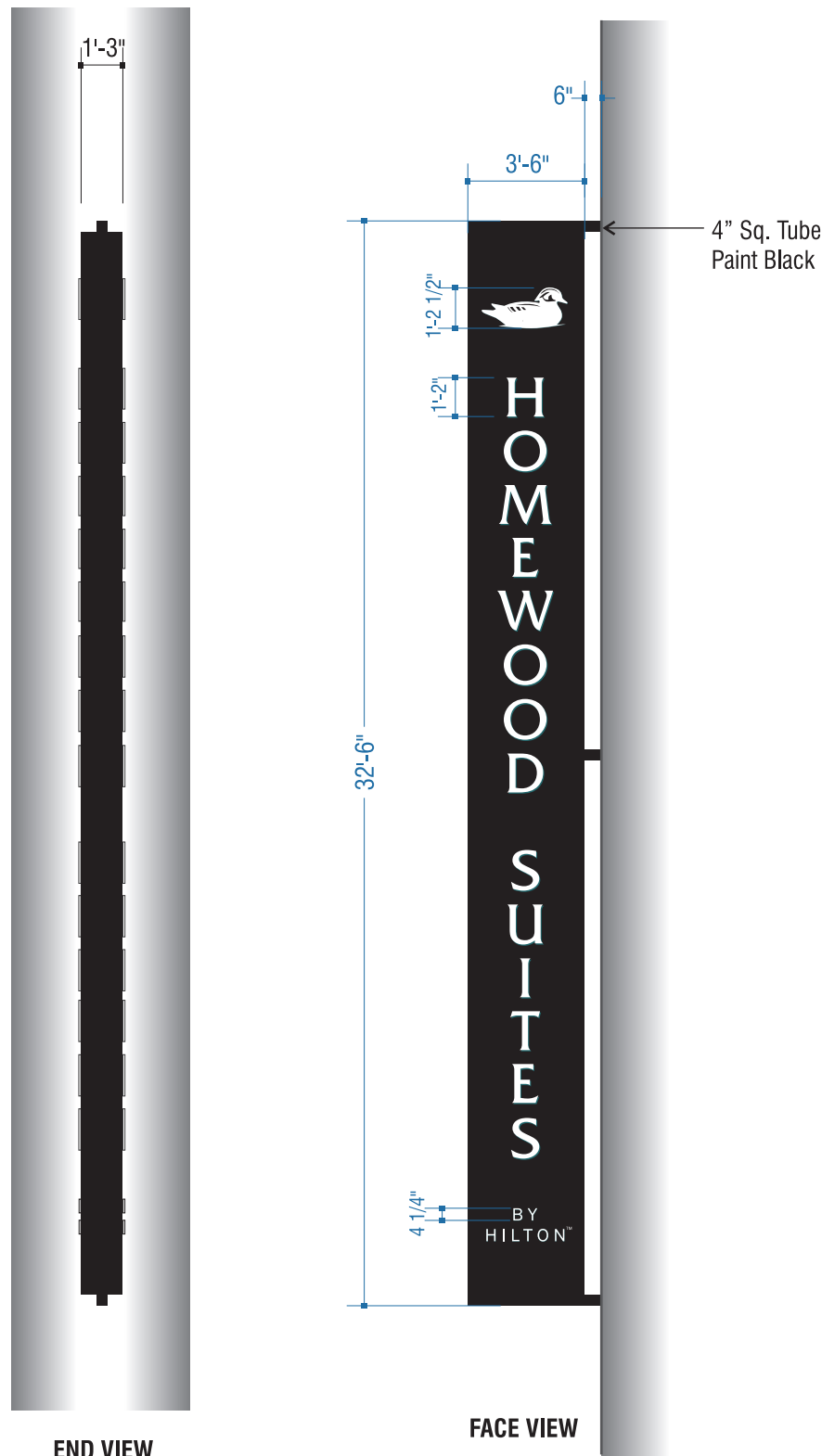
Artwork
 Design
 Survey
All boxes checked to Enter Order

UL LISTED
COMPANION FILES

PRODUCTION PROCESSING
Kieffer Item # _____
Job # _____
-001 _____
-002 _____
-003 _____
-004 _____

INITIALS: DATE: 6/27/16
MSO

| REVISION: | A | B | C | D | E | F | G | H | I | J |
|-----------|------------------------------|---|---|---|---|---|---|---|---|---|
| A | Rev ltrs to cab w/ push thru | | | | | | | | | |
| B | | | | | | | | | | |
| C | | | | | | | | | | |
| D | | | | | | | | | | |
| E | | | | | | | | | | |
| F | | | | | | | | | | |
| G | | | | | | | | | | |
| H | | | | | | | | | | |
| I | | | | | | | | | | |
| J | | | | | | | | | | |



D/F Internally Illuminated Projecting Wall Sign

FABRICATED D/F SIGN CABINET. ALUMINUM FACE & FILLER.
PAINTED BLACK (SATIN FINISH).

DUCK LOGO:
PUSH THRU CLEAR ACRYLIC (3/4" EXPOSED)
WHITE TRANS. VINYL FIRST SURFACE / DIFFUSER SECOND SURFACE
BLACK VINYL DETAILS ON FACE

HOMEWOOD SUITES:
COPY: PUSH THRU CLEAR ACRYLIC (3/4" EXPOSED)
WHITE TRANS. VINYL FIRST SURFACE / DIFFUSER SECOND SURFACE

BY HILTON: 3/4" (1/2" EXPOSED) PUSH THRU COPY. WHITE
ACRYLIC/ OPAQUE FACE
TM: (NON-ILLUM) WHITE VINYL APPLIED TO SIGN FACE

COLOR SPECIFICATIONS

VINYL SPECIFICATIONS

- (V1) Translucent White
- (V2) Diffuser

PAINT SPECIFICATIONS

- (P1) Black (Satin Finish)

3/16" = 1'-0"



NIGHT VIEW



VIEW FACING NORTHEAST

ENGINEERING & ATTACHMENT PER SITE CONDITIONS

Milwaukee, WI

B70977C



S/F Illuminated Wall Sign w/ Push Thru Copy

Sign B



THIS IS AN ORIGINAL UNPUBLISHED DRAWING SUBMITTED FOR USE IN CONNECTION WITH A PROJECT BEING PLANNED FOR YOU BY KIEFFER & CO., INC. IT IS NOT TO BE REPRODUCED, COPIED OR EXHIBITED IN ANY FASHION WITHOUT THE WRITTEN PERMISSION OF KIEFFER & CO., INC.

© 2016 KIEFFER & CO., INC.

585 Bond Street - Lincolnshire, IL 60069
 PHONE: (847) 520-1255 FAX: (847) 520-1543
www.kieffersigns.com

CUSTOMER: Homewood Suites
 LOCATION: Milwaukee, WI
 SALESMAN: L. Jones
 DESIGNER: MSO
 DATE: 05/02/16

- Artwork
 - Design
 - Survey
- All boxes checked to Enter Order

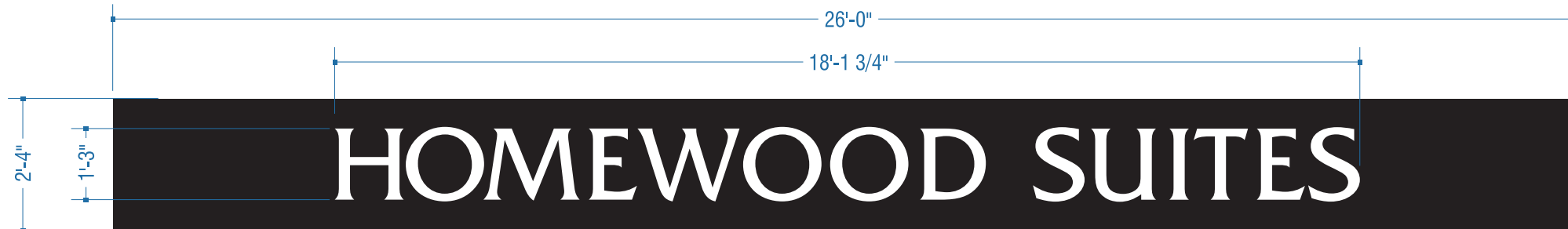


COMPANION FILES

PRODUCTION PROCESSING

| Kieffer Item # | Job # |
|----------------|-------|
| -001 | _____ |
| -002 | _____ |
| -003 | _____ |
| -004 | _____ |

| REVISION: | INITIALS: | DATE: |
|-----------|-----------|---------|
| A | MSO | 6/27/16 |
| B | MSO | 7/8/16 |
| C | | |
| D | | |
| E | | |
| F | | |
| G | | |
| H | | |
| I | | |
| J | | |



PROFILE

S/F ILLUMINATED WALL SIGN W/ PUSH THRU COPY

3/8" = 1'-0"

- ALUMINUM SIGN FACES & CABINET.
- PAINT BLACK (SATIN FINISH)
- COPY: PUSH THRU CLEAR ACRYLIC (3/4" EXPOSED)
- WHITE TRANS. VINYL FIRST SURFACE / DIFFUSER SECOND SURFACE
- WHITE LED ILLUMINATION
- WALL MOUNT FLUSH TO BRICK WALL W/ CONCEALED FASTENERS

COLOR SPECIFICATIONS

VINYL SPECIFICATIONS

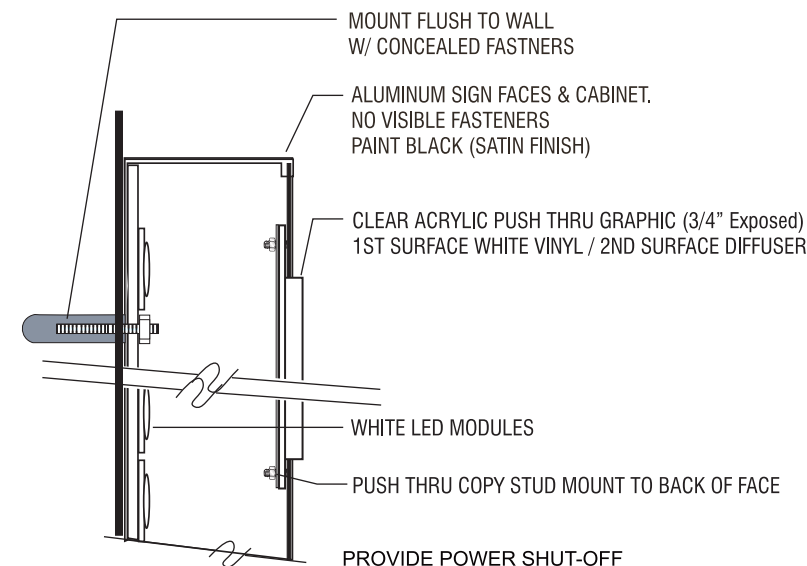
- (V1) Translucent White
- (V2) Diffuser

PAINT SPECIFICATIONS

- (P1) Black (Satin Finish)



NIGHT VIEW



SECTION DETAIL

Milwaukee, WI

B70977D



S/F Illuminated Wall Sign w/ Push Thru Copy

Sign C



THIS IS AN ORIGINAL UNPUBLISHED DRAWING SUBMITTED FOR USE IN CONNECTION WITH A PROJECT BEING PLANNED FOR YOU BY KIEFFER & CO., INC. IT IS NOT TO BE REPRODUCED, COPIED OR EXHIBITED IN ANY FASHION WITHOUT THE WRITTEN PERMISSION OF KIEFFER & CO., INC.

© 2016 KIEFFER & CO., INC.

585 Bond Street - Lincolnshire, IL 60069
 PHONE: (847) 520-1255 FAX: (847) 520-1543
www.kieffersigns.com

CUSTOMER: Homewood Suites
 LOCATION: Milwaukee, WI
 SALESMAN: L. Jones
 DESIGNER: MSO
 DATE: 05/02/16

- Artwork
 - Design
 - Survey
- All boxes checked to Enter Order

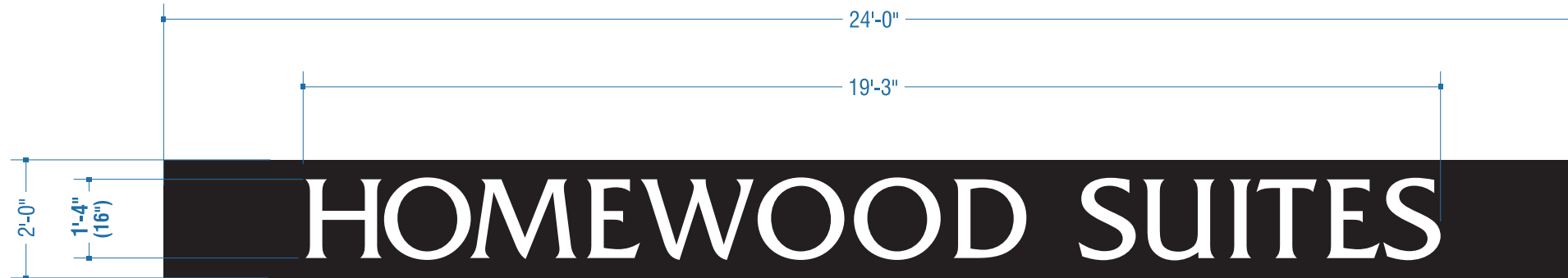


COMPANION FILES

PRODUCTION PROCESSING

| | |
|----------------|-------|
| Kieffer Item # | _____ |
| Job # | _____ |
| -001 | _____ |
| -002 | _____ |
| -003 | _____ |
| -004 | _____ |

| | | | | |
|-----------|---|------------------------------|-----------|---------|
| REVISION: | A | Rev ltrs to cab w/ push thru | DATE: | 6/27/16 |
| | B | Reduce Sign C by 25% | INITIALS: | MSO |
| | C | | | 7/8/16 |
| | D | | | |
| | E | | | |
| | F | | | |
| | G | | | |
| | H | | | |
| | I | | | |
| | J | | | |



S/F ILLUMINATED WALL SIGN W/ PUSH THRU COPY

3/8" = 1'-0"

- ALUMINUM SIGN FACES & CABINET.
- PAINT BLACK (SATIN FINISH)
- COPY: PUSH THRU CLEAR ACRYLIC (3/4" EXPOSED)
- WHITE TRANS. VINYL FIRST SURFACE / DIFFUSER SECOND SURFACE
- WHITE LED ILLUMINATION
- WALL MOUNT FLUSH TO BRICK WALL W/ CONCEALED FASTENERS

COLOR SPECIFICATIONS

VINYL SPECIFICATIONS

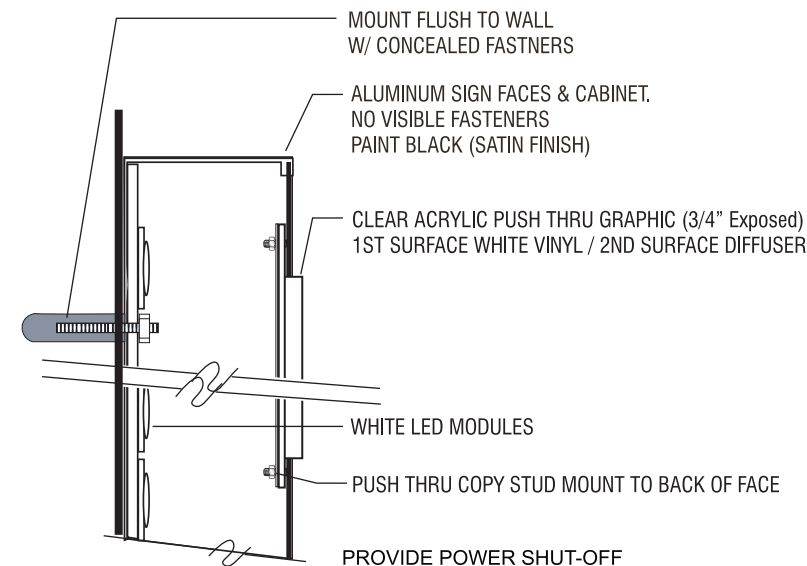
- V1 Translucent White
- V2 Diffuser

PAINT SPECIFICATIONS

- P1 Black (Satin Finish)



NIGHT VIEW



SECTION DETAIL

Milwaukee, WI

B70977E



*CUSTOM D/F Internally Illuminated Projecting Wall Sign
w/ Push Thru Letters*

Sign D



THIS IS AN ORIGINAL UNPUBLISHED DRAWING SUBMITTED FOR USE IN CONNECTION WITH A PROJECT BEING PLANNED FOR YOU BY KIEFFER & CO., INC. IT IS NOT TO BE REPRODUCED, COPIED OR EXHIBITED IN ANY FASHION WITHOUT THE WRITTEN PERMISSION OF KIEFFER & CO., INC.

© 2016 KIEFFER & CO., INC.

585 Bond Street - Lincolnshire, IL 60069
PHONE: (847) 520-1255 FAX: (847) 520-1543
www.kieffersigns.com

CUSTOMER: Homewood Suites
LOCATION: Milwaukee, WI
SALESMAN: L. Jones
DESIGNER: MSO
DATE: 05/02/16

Artwork
 Design
 Survey
All boxes checked to Enter Order



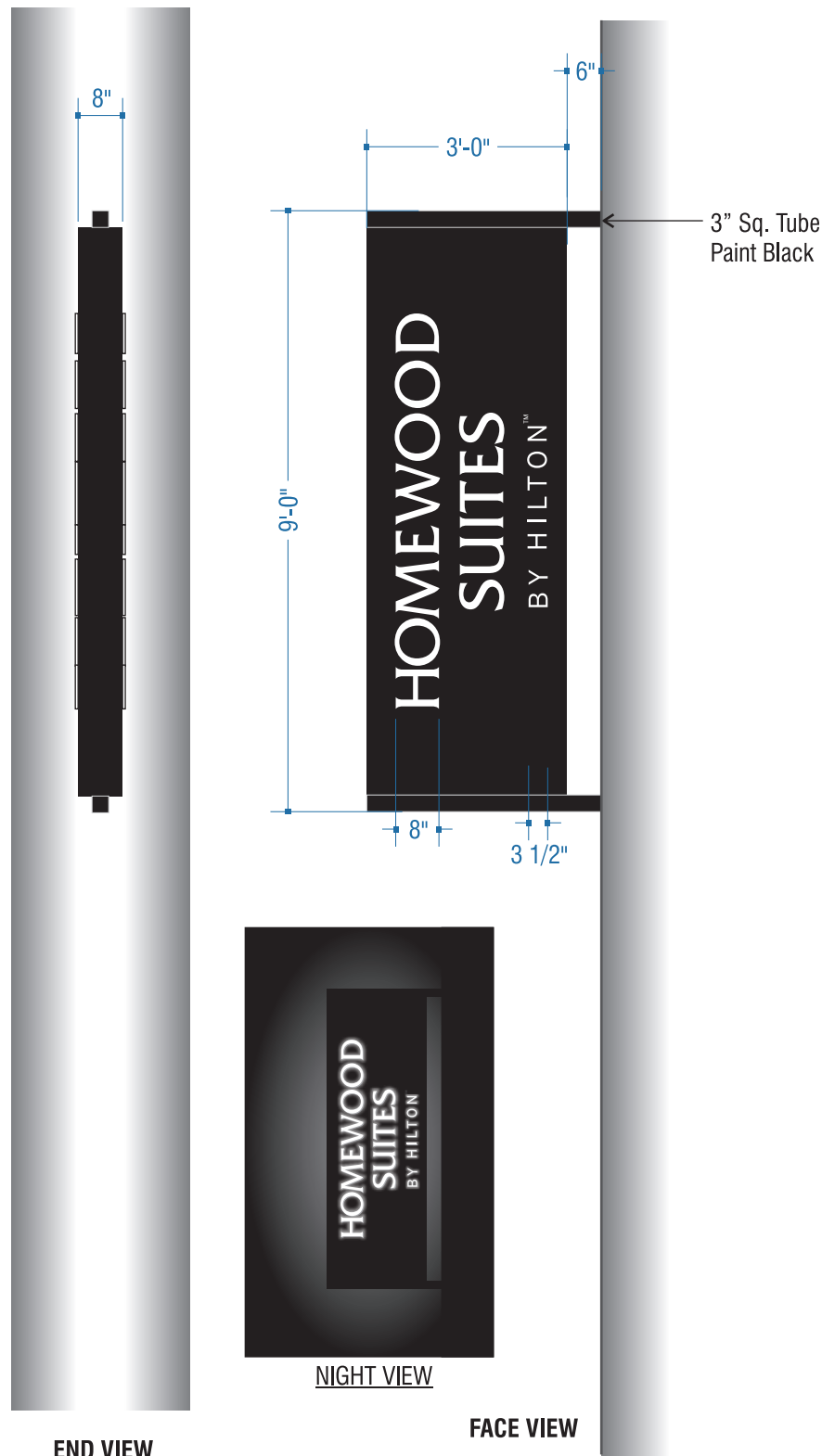
COMPANION FILES

PRODUCTION PROCESSING

Kieffer Item # _____
Job # _____
-001 _____
-002 _____
-003 _____
-004 _____

INITIALS: DATE: 6/27/16
MSO

| | | | | | | | | | | |
|-----------|----------------------------|---|---|---|---|---|---|---|---|---|
| REVISION: | A | B | C | D | E | F | G | H | I | J |
| | Rev all signs to push thru | | | | | | | | | |



D/F Internally Illuminated Projecting Wall Sign

3/8" = 1'-0"

FABRICATED D/F SIGN CABINET. ALUMINUM FACE & FILLER.
PAINTED BLACK (SATIN FINISH).

HOMEWOOD SUITES:

ROUTED PUSH THRU COPY.
1" (3/4" EXPOSED) CLEAR ACRYLIC
WHITE TRANS VINYL FIRST SURFACE / DIFFUSER SECOND SURFACE

BY HILTON: 3/4" (1/2" EXPOSED) PUSH THRU COPY. CLEAR ACRYLIC
WHITE TRANS VINYL FIRST SURFACE / DIFFUSER SECOND SURFACE
TM: (NON-ILLUM) WHITE VINYL APPLIED TO SIGN FACE

WHITE LED ILLUMINATION

COLOR SPECIFICATIONS

VINYL SPECIFICATIONS

- V1 Translucent White
- V2 Diffuser

PAINT SPECIFICATIONS

- P1 Black (Satin Finish)

Sign D



VIEW FACING NORTHEAST

ENGINEERING & ATTACHMENT PER SITE CONDITIONS

Milwaukee, WI

B70977D