



Certificate of Appropriateness

Milwaukee Historic Preservation Commission/841 N Broadway/Milwaukee, WI 53202/phone 414-286-5712

Property
Description of work

833 E Brady
Two awning signs and one externally illuminated projecting sign per attached drawings.

Date issued 5/10/2024

Under the provisions of Section 320-21 (11) and (12) of the Milwaukee Code of Ordinances, the Milwaukee Historic Preservation Commission has granted a certificate of appropriateness for the work listed above. The work was found to be consistent with preservation guidelines. The following conditions apply to this certificate of appropriateness:

Mounting posts for signs and awnings shall be drilled into mortar joints only and not into the face of any brick or stone. Any surface-mounted electrical conduit shall be painted to match surrounding building material

All work must be done in a craftsman-like manner. Staff must approve any changes or additions to this certificate before work begins. Work that is not completed in accordance with this certificate may be subject to correction orders or citations. If you require technical assistance, please contact Historic Preservation staff as follows: Phone: (414) 286-5712 E-mail: hpc@milwaukee.gov.

Permits and timeline

You are responsible for determining if permits are required and obtaining them prior to commencing work. Consult the Development Center on the web or by telephone for details www.milwaukee.gov/lms (414) 286-8210. If permits are not required, work must be completed within one year of the date this certificate was issued. If permits are required, permits must be obtained within one year of the date this certificate was issued.

City of Milwaukee Historic Preservation

Disclaimer:

THIS IS AN ORIGINAL DESIGN CREATED BY SIGN EFFECTZ. THE SUBMITTED DESIGN IS PROTECTED UNDER COPYRIGHT LAWS OF THE UNITED STATES. YOU AGREE NOT TO COPY, PHOTOGRAPH, MODIFY OR SHARE DIRECTLY OR INDIRECTLY ANY OF THE FOREGOING HELD BY YOU WITH ANY OTHER PARTY, NOR WILL YOU PERMIT ANY THIRD PARTY TO DO ANY OF THE FOREGOING WITHOUT THE WRITTEN CONSENT OF SIGN EFFECTZ.

THIS SIGN IS INTENDED TO BE INSTALLED IN ACCORDANCE WITH THE REQUIREMENTS OF ARTICLE 600 OF THE NEC AND/OR OTHER APPLICABLE LOCAL CODES. THIS INCLUDES PROPER GROUNDING AND BONDING OF THE SIGN.

Sip & Purr

Fab & Install:
 XXX

Project Address:
 Sip & Purr
 833 East Brady Street
 Milwaukee WI 53202

Billing Address:
 Sip & Purr
 833 East Brady Street
 Milwaukee WI 53202

Date:	By:	Description:
01 05.03.24	ATO	Adjust Awning Install Height
02		
03		
04		
05		

Production Notes:

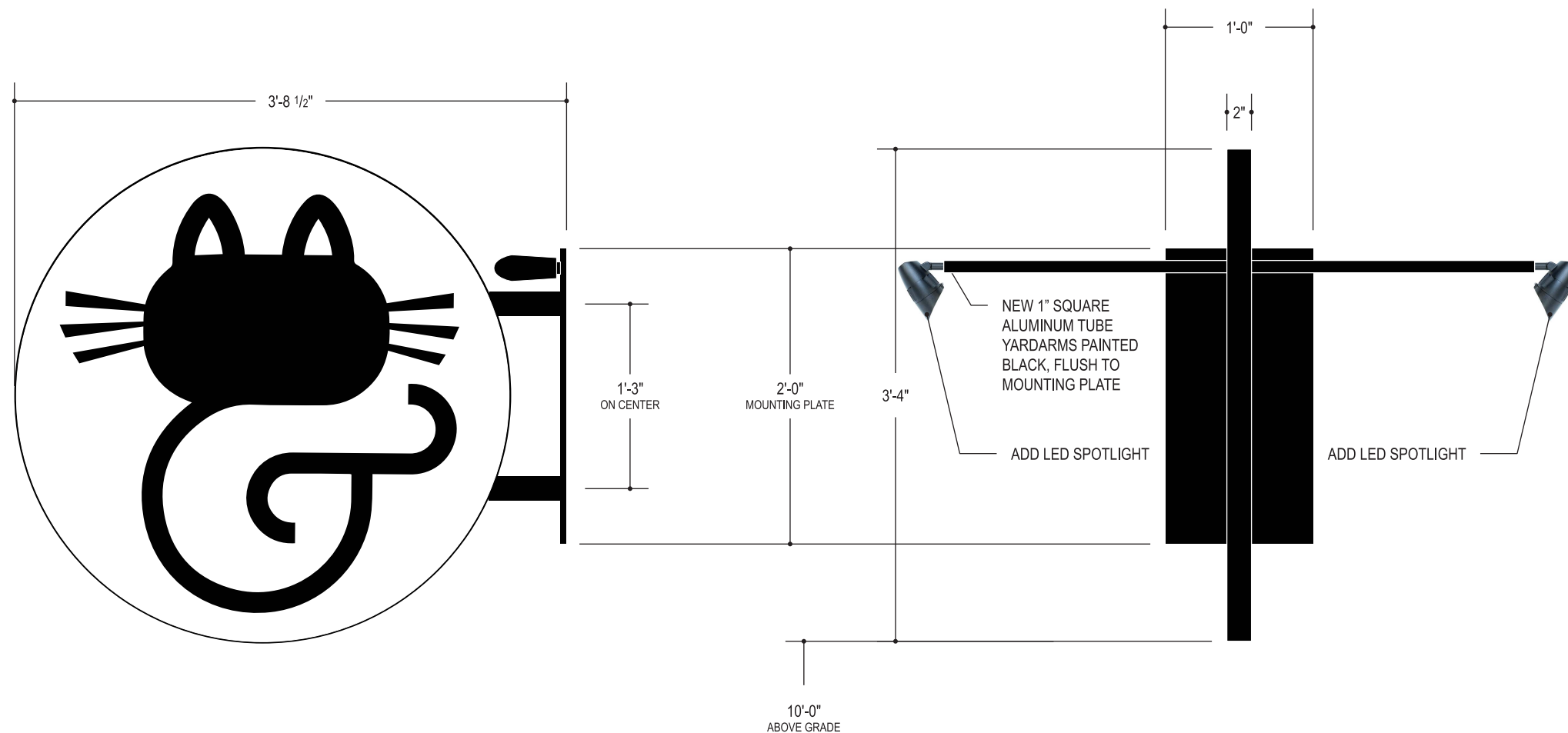
16124766 RECORD ID NO.	01 PRODUCTION RELEASE NO.	01 REVISION:
03.18.24 DATE:	1"= 1'-0" SCALE:	
XXXXX QUOTE NO.	16633 WORK ORDER NO.	-01 MODEL NO.
ATO DRAWN BY:	DN SALESPERSON:	XXX PROJECT MANAGER:
B SIZE:	P-1 SHEET NO:	01 REV NO:



PROPOSED VIEW - NTS



5000k, White LED Spotlight in Black Finish (Qty: 2, 1 per side)



Colors/ Materials

Matthews Paint, Standard Black (Satin Finish)

Fabrication Description:
 - 1/2: Aluminum Mounting Plate w/ 1" Square Aluminum Yardarms, Accent Rolled Plate w/ 1/2" Tube Mounting
 - LED Spotlights Mounting from Mounting Plate

Disclaimer:
 THIS IS AN ORIGINAL DESIGN CREATED BY SIGN EFFECTZ. THE SUBMITTED DESIGN PROTECTED UNDER COPYRIGHT LAWS OF THE UNITED STATES CODE YOU AGREE NOT TO COPY PHOTOGRAPH MODIFY OR SHARE DIRECTLY OR INDIRECTLY ANY OF THE FOREGOING HELD BY YOU WITH ANY OTHER PARTY, NOR WILL YOU PERMIT ANY THIRD PARTY TO DO ANY OF THE FOREGOING WITHOUT THE WRITTEN CONSENT OF SIGN EFFECTZ.
 THIS SIGN IS INTENDED TO BE INSTALLED IN ACCORDANCE WITH THE REQUIREMENTS OF ARTICLE 600 OF THE NEC AND/OR OTHER APPLICABLE LOCAL CODES, THIS INCLUDES PROPER GROUNDING AND BONDING OF THE SIGN.

Sip & Purr

Fab & Install:
 XXX

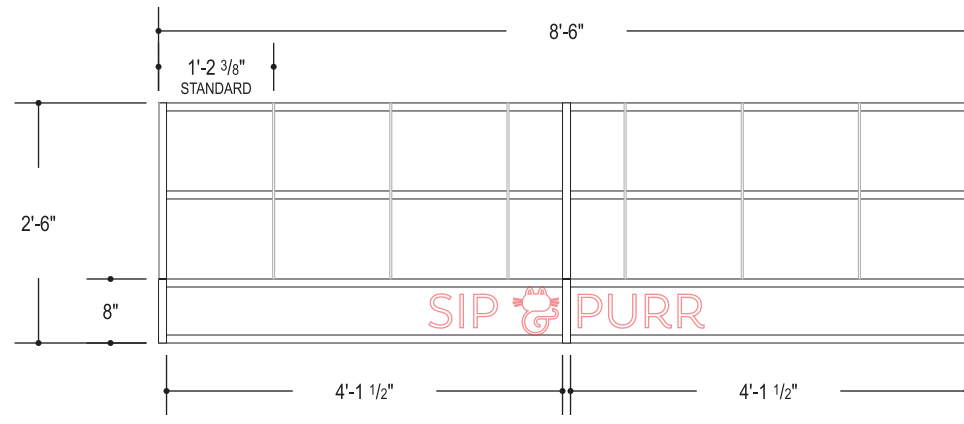
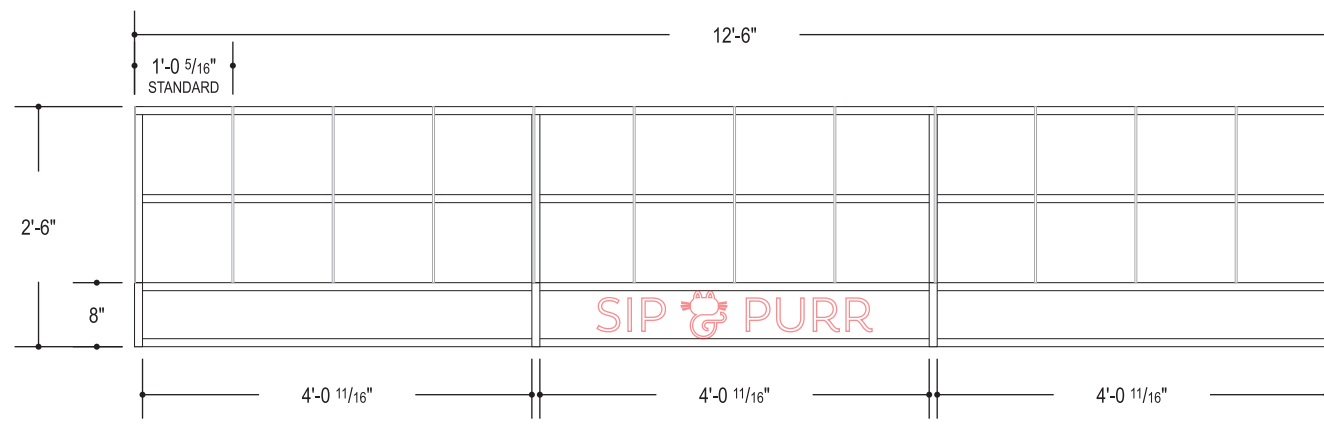
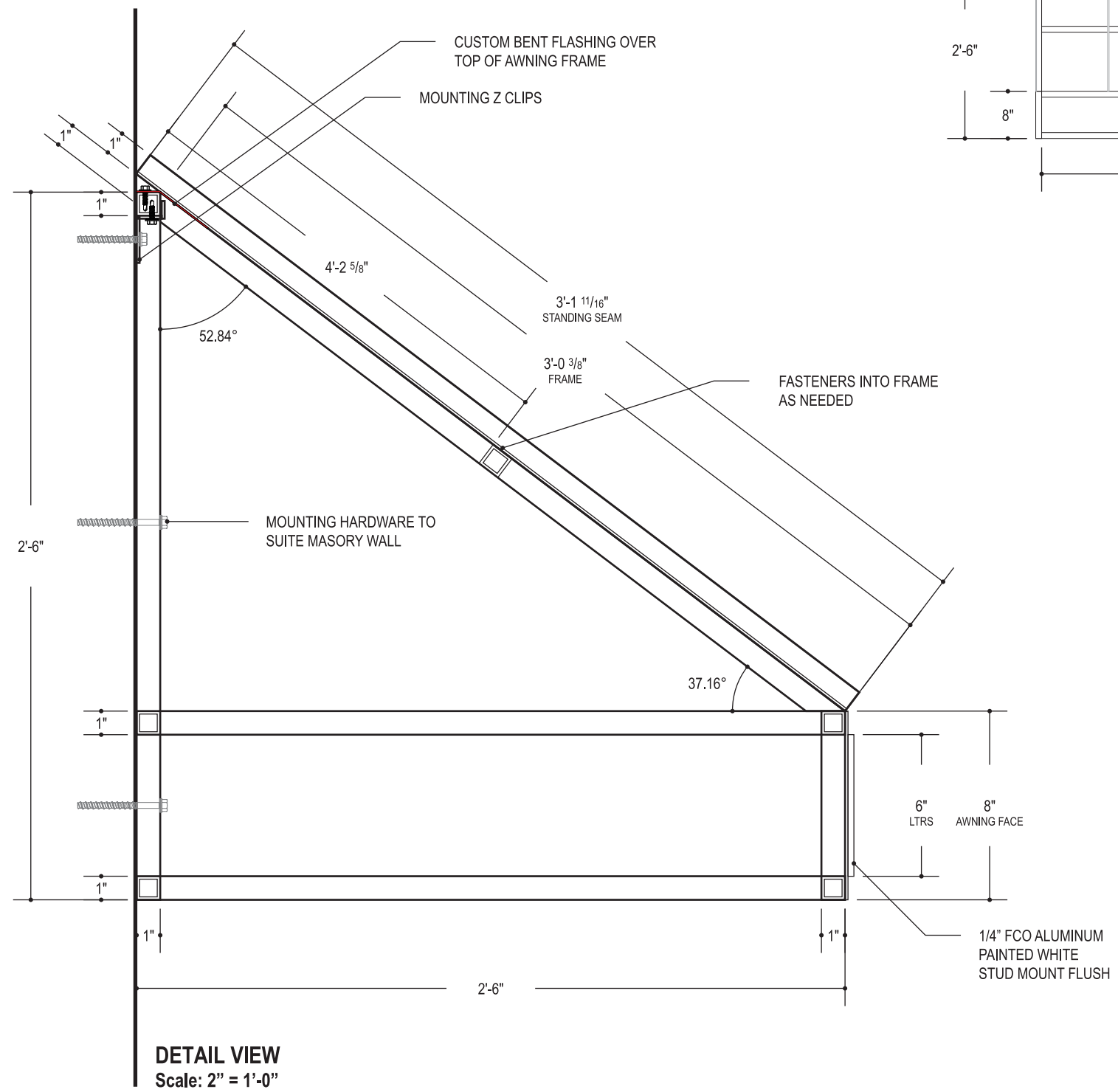
Project Address:
 Sip & Purr
 833 East Brady Street
 Milwaukee WI 53202

Billing Address:
 Sip & Purr
 833 East Brady Street
 Milwaukee WI 53202

Date:	By:	Description:
01 05.03.24	ATO	Adjust Awning Install Height
02		
03		
04		
05		

Production Notes:

16124766 RECORD ID NO.	01 PRODUCTION RELEASE NO.	01 REVISION:
03.18.24 DATE:	1"= 1'-0" SCALE:	
XXXXX QUOTE NO.	16633 WORK ORDER NO.	-02 MODEL NO.
ATO DRAWN BY:	DN SALESPERSON:	XXX PROJECT MANAGER:
B SIZE:	P-3 SHEET NO:	01 REV NO:



Colors/ Materials

■	Matthews Paint Standard Black (Satin Finish)
□	Matthews Paint Standard White (Satin Finish)

Fabrication Description:
 - 1" Aluminum Square Tube Frame Painted Black, Skinned w/ Aluminum Sheeting w/ 1" Standing Seams, Painted Black
 - 1/4" FCO Aluminum Painted White

Disclaimer:

THIS IS AN ORIGINAL DESIGN CREATED BY SIGN EFFECTZ. THE SUBMITTED DESIGN IS PROTECTED UNDER COPYRIGHT LAWS OF THE UNITED STATES. YOU AGREE NOT TO COPY, PHOTOGRAPH, MODIFY OR SHARE DIRECTLY OR INDIRECTLY ANY OF THE FOREGOING HELD BY YOU WITH ANY OTHER PARTY, NOR WILL YOU PERMIT ANY THIRD PARTY TO DO ANY OF THE FOREGOING WITHOUT THE WRITTEN CONSENT OF SIGN EFFECTZ.

THIS SIGN IS INTENDED TO BE INSTALLED IN ACCORDANCE WITH THE REQUIREMENTS OF ARTICLE 600 OF THE NEC AND/OR OTHER APPLICABLE LOCAL CODES. THIS INCLUDES PROPER GROUNDING AND BONDING OF THE SIGN.

Sip & Purr

Fab & Install:
XXX

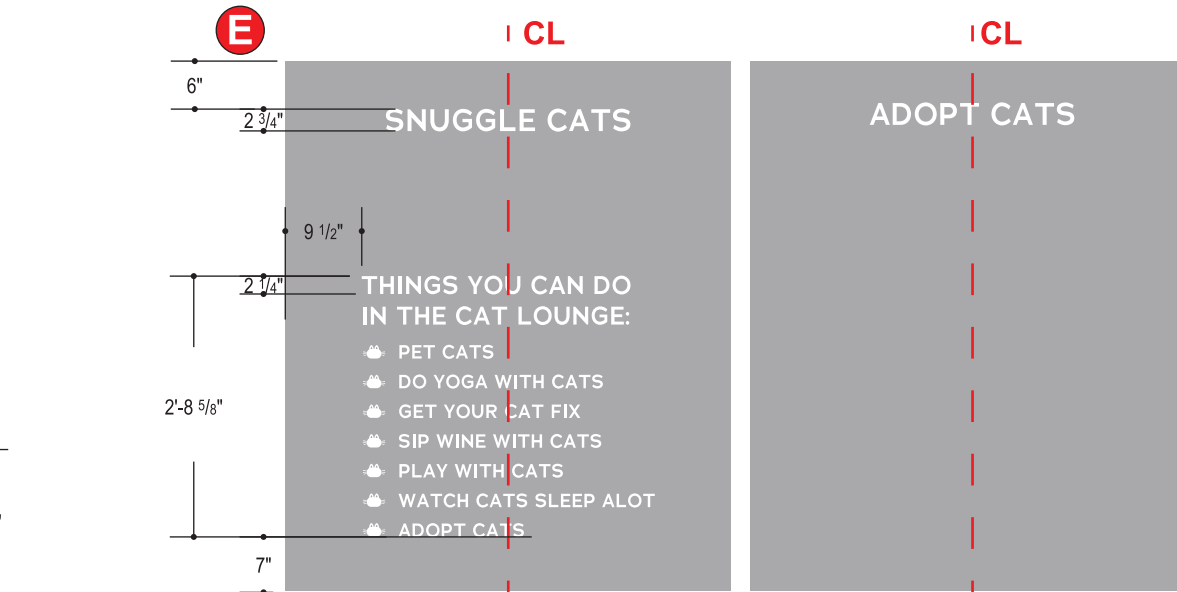
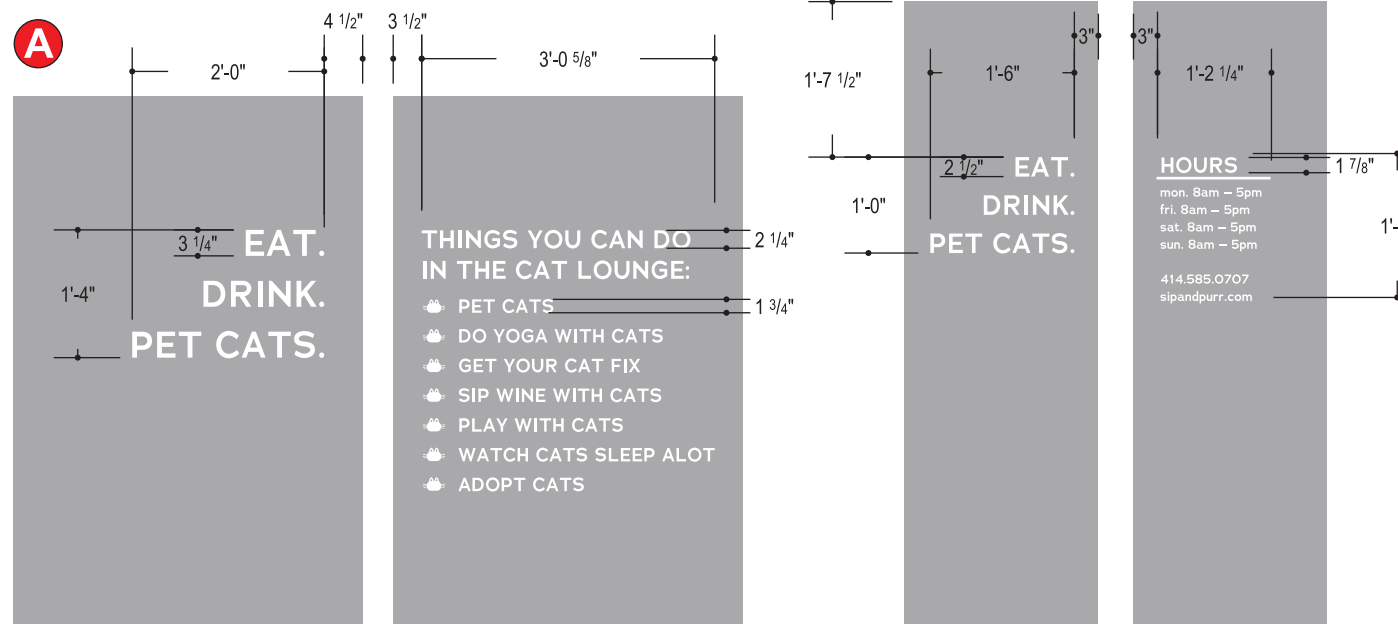
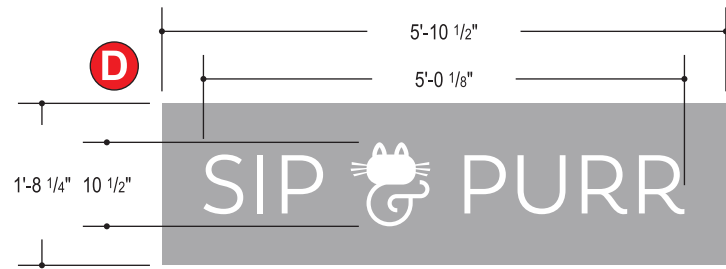
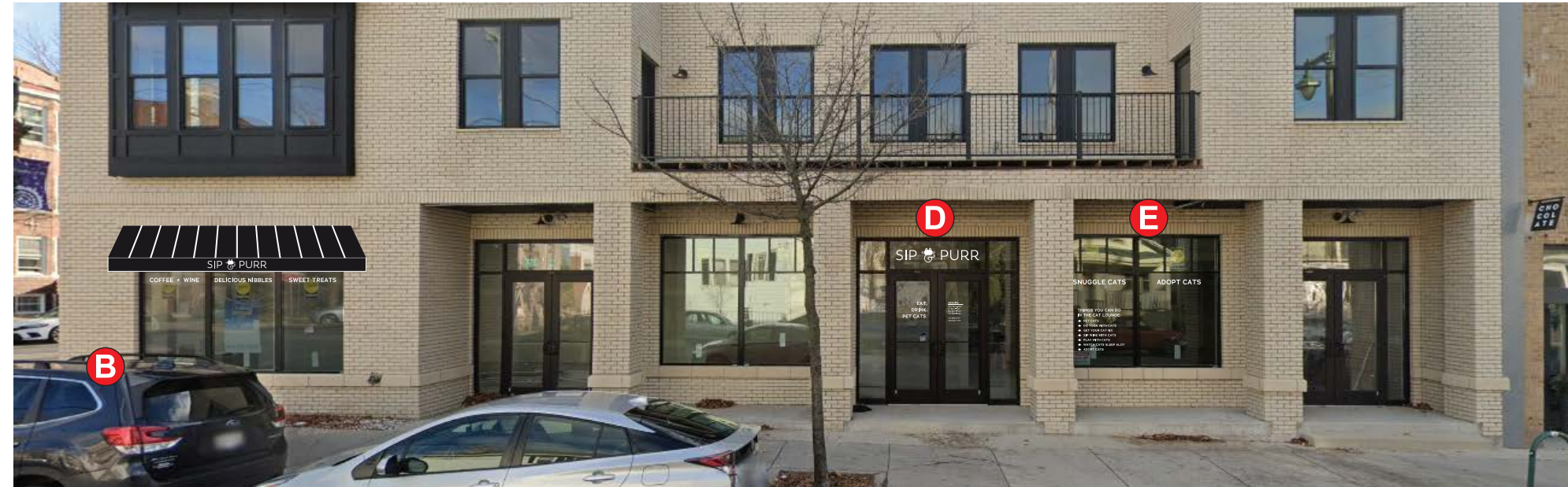
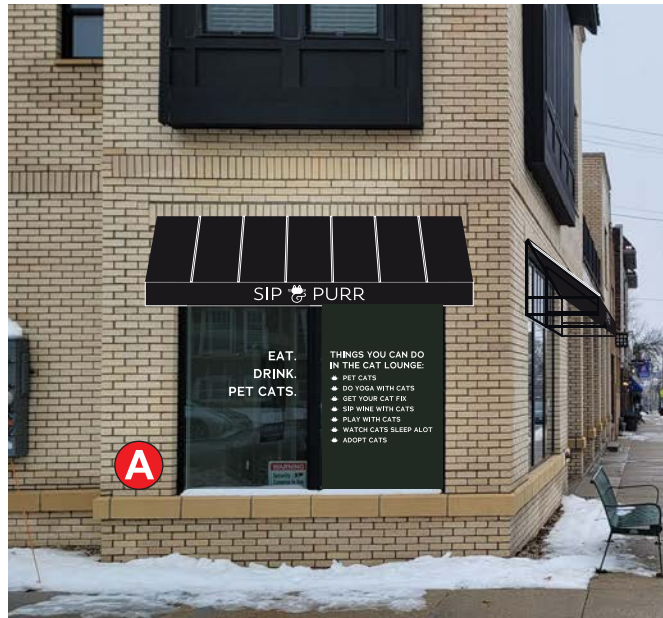
Project Address:
Sip & Purr
833 East Brady Street
Milwaukee WI 53202

Billing Address:
Sip & Purr
833 East Brady Street
Milwaukee WI 53202

Date:	By:	Description:
01 05.03.24	ATO	Adjust Awning Install Height
02		
03		
04		
05		

Production Notes:

16124766 RECORD ID NO.	01 PRODUCTION RELEASE NO.	01 REVISION:
03.18.24 DATE:	1/2" = 1'-0" SCALE:	
XXXXX QUOTE NO.	16633 WORK ORDER NO.	-04 MODEL NO.
ATO DRAWN BY:	DN SALESPERSON:	XXX PROJECT MANAGER:
B SIZE:	P-4 SHEET NO:	01 REV NO:



Colors/ Materials
 3M 7725-20, Matte White (Opaque)

Fabrication Description:
 - 1st Surface Applied White Opaque Vinyl

Disclaimer:
 THIS IS AN ORIGINAL DESIGN CREATED BY SIGN EFFECTZ. THE SUBMITTED DESIGN PROTECTED UNDER COPYRIGHT LAWS OF THE UNITED STATES CODE. YOU AGREE NOT TO COPY PHOTOGRAPH MODIFY OR SHARE DIRECTLY OR INDIRECTLY ANY OF THE FOREGOING HELD BY YOU WITH ANY OTHER PARTY, NOR WILL YOU PERMIT ANY THIRD PARTY TO DO ANY OF THE FOREGOING WITHOUT THE WRITTEN CONSENT OF SIGN EFFECTZ.
 THIS SIGN IS INTENDED TO BE INSTALLED IN ACCORDANCE WITH THE REQUIREMENTS OF ARTICLE 600 OF THE NEC AND/OR OTHER APPLICABLE LOCAL CODES, THIS INCLUDES PROPER GROUNDING AND BONDING OF THE SIGN.

Sip & Purr

Fab & Install:
 XXX

Project Address:
 Sip & Purr
 833 East Brady Street
 Milwaukee WI 53202

Billing Address:
 Sip & Purr
 833 East Brady Street
 Milwaukee WI 53202

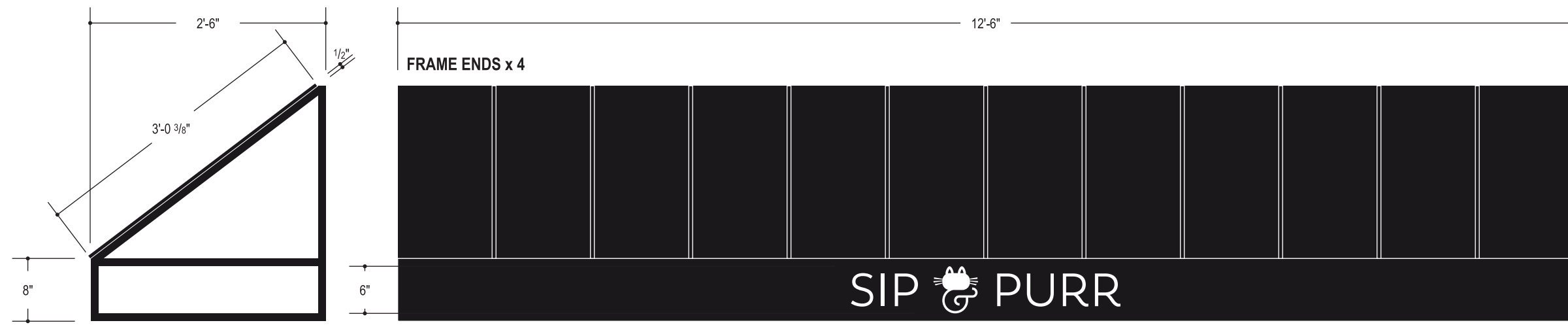
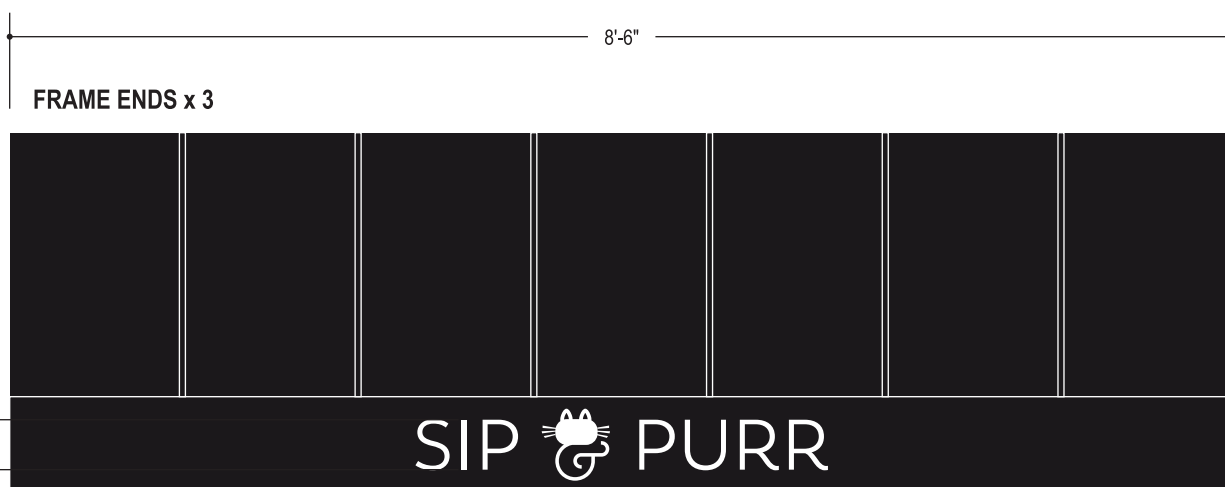
Date:	By:	Description:
01 05.03.24	ATO	Adjust Awning Install Height
02		
03		
04		
05		

Production Notes:

16124766 RECORD ID NO.	01 PRODUCTION RELEASE NO.	01 REVISION:
03.18.24 DATE:	3/4" = 1'-0" SCALE:	
XXXXX QUOTE NO.	16633 WORK ORDER NO.	-02 MODEL NO.
ATO DRAWN BY:	DN SALESPERSON:	XXX PROJECT MANAGER:
B SIZE:	P-2 SHEET NO:	01 REV NO:



PROPOSED VIEW - NTS



Colors/ Materials

 Matthews Paint Standard Black (Satin Finish)
 Matthews Paint Standard White (Satin Finish)

Fabrication Description:
 - 1" Aluminum Square Tube Frame Painted Black, Skinned w/ Aluminum Sheeting w/ 1" Standing Seams, Painted Black
 - 1/4" FCO Aluminum Painted White