



CERTIFICATE OF APPROPRIATENESS APPLICATION FORM

Incomplete applications will not be processed for Commission review.

Please print legibly.

RECEIVED

JUL 19 2013

1. HISTORIC NAME OF PROPERTY OR HISTORIC DISTRICT: (if known)

ADDRESS OF PROPERTY:

2913 North Lake Drive, Milwaukee, WI 53211

2. NAME AND ADDRESS OF OWNER:

Name(s): Teri Kolb (Charles & Jean Nausmann #1)

Address: 2913 N. Lake Dr. #2

City: Milwaukee

State: WI

ZIP: 53211

Email: Mother Teresa 2913@aol.com

Telephone number (area code & number) Daytime:

414. 964. 0971 (H) 414. 530. 4657 (C)

Evening:

same

3. APPLICANT, AGENT OR CONTRACTOR: (if different from owner)

Name(s): Rick Skebba / North Shore Kitchen & Bath

Address: 6254 W. Port Washington Road

City: Glendale

State: WI

ZIP Code: 53217

Email: www.nskb-wi.com

rick@nskb-wi.com - c- mat

Telephone number (area code & number) Daytime:

414. 967. 1777 (W)

Evening:

1. 262. 305. 7026 (C)

4. ATTACHMENTS: (Because projects can vary in size and scope, please call the HPC Office at 414-286-5712 for submittal requirements)

A. REQUIRED FOR MAJOR PROJECTS:

Photographs of affected areas & all sides of the building (annotated photos recommended)

Sketches and Elevation Drawings (1 full size and 1 reduced to 11" x 17" or 8 1/2" x 11")

A digital copy of the photos and drawings is also requested.

Material and Design Specifications (see next page)

B. NEW CONSTRUCTION ALSO REQUIRES:

Floor Plans (1 full size and 1 reduced to a maximum of 11" x 17")

Site Plan showing location of project and adjoining structures and fences

PLEASE NOTE: YOUR APPLICATION CANNOT BE PROCESSED UNLESS BOTH PAGES OF THIS FORM ARE PROPERLY COMPLETED AND SIGNED.

Teri Kolb 7.18.13

5. DESCRIPTION OF PROJECT:

Tell us what you want to do. Describe all proposed work including materials, design, and dimensions. Additional pages may be attached.

- Remove + dispose of existing windows
- 1) back 2nd floor bath - Marvin - 1
wood ultimate double hung RO 25 3/4" x 48 1/2"
 - 2) Side 3rd floor casements - Marvin - 2
wood Marvin Assembly CN 2448
RO 49 x 48 9/16"
 - 3) back 3rd floor casement Marvin 1
wood Ultimate Casement
RO 26 1/2" x 36 3/4"

Please see enclosed pictures.

6. SIGNATURE OF APPLICANT:


Signature

Please print or type name Teri Kolb

Date 7.18.2013

This form and all supporting documentation **MUST** arrive by 12:00 noon on the deadline date established to be considered at the next Historic Preservation Commission Meeting. Any information not provided to staff in advance of the meeting will not be considered by the Commission during their deliberation. Please call if you have any questions and staff will assist you.

Hand Deliver or Mail Form to:
Historic Preservation Commission
City Clerk's Office
200 E. Wells St. Room B-4
Milwaukee, WI 53202

PHONE: (414) 286-5722

FAX: (414) 286-3004

www.milwaukee.gov/hpc

Skebba- Kolb

DH & 2 dbl casements & 1 casement

Quote #: SYPUBXU

A Proposal for Window and Door Products prepared for:

Shipping Address:
A FILLINGER INC
6750 N 43RD ST
MILWAUKEE, WI 53209-3017



DANIEL GULLICKSEN
A FILLINGER INC
6750 N 43RD STREET
MILWAUKEE, WI 53209-3017
Phone: (414) 353-8433
Fax: (414) 353-1456
Email: daniel@afillinger.com

This report was generated on 6/12/2013 3:46:13 PM using the Marvin Order Management System, version 0001.12.01 (Current). Price in USD. Unit availability and price are subject to change. Dealer terms and conditions may apply.

Project Description:

double hung w/ cottage style sash layout, (2) double casements, and (1) single casement, all wood

Featuring products from:



UNIT SUMMARY

The following is a schedule of the windows and doors for this project. For additional unit details, please see Line Item Quotes.

Additional charges, tax or Terms and Conditions may apply. Detail pricing is per unit.

NUMBER OF LINES: 3

TOTAL UNIT QTY: 4

LINE	MARK UNIT	BRAND	ITEM	QTY
3	Back 2nd floor bath	Marvin	Wood Ultimate Double Hung RO 25 3/4" X 48 1/2"	1
4	Side 3rd floor casements	Marvin	Wood Marvin Assembly CN 2448 RO 49" X 48 9/16"	2
5	Back 3rd floor casement	Marvin	Wood Ultimate Casement RO 26 1/2" X 36 3/4"	1

to replace block window (not up to code)

LINE ITEM QUOTES

The following is a schedule of the windows and doors for this project. For additional unit details, please see Line Item Quotes. Additional charges, tax or Terms and Conditions may apply. Detail pricing is per unit.

Line #3	Mark Unit: Back 2nd floor bath			
Qty: 1				



Built around you.



As Viewed From The Exterior

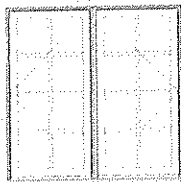
Entered As: FS
 MO 27 7/8" X 49 9/16"
 FS 24 3/4" X 48"
 RO 25 3/4" X 48 1/2"

Primed Pine Exterior
 Bare Pine Interior
 Wood Ultimate Double Hung
 Frame Size w/ Subsill
 24 3/4" X 48"
 Rough Opening w/ Subsill
 25 3/4" X 48 1/2"
 Cottage 2.0:5.0
 Top Sash
 G.S. 19 3/8" X 15 19/32"
 IG - 1 Lite
 Tempered LoE272 w/Argon
 7/8" SDL - With Spacer Bar
 Rectangular - Special Cut 3W2H
 Primed Pine Ext - Bare Pine Int
 Ovolo Glazing Profile
 Bottom Sash
 G.S. 19 3/8" X 23 13/32"
 IG - 1 Lite
 Tempered LoE272 w/Argon
 Ovolo Glazing Profile
 Oil Rubbed Bronze Sash Lock
 Beige Jamb Hardware
 Combination
 Tempered
 Pebble Gray Surround
 Charcoal Hi-Transparency Fbrgl's Mesh
 Primed Pine Finish
 4 9/16" Jamb's
 BMC
 Standard Subsill
 No Installation Method

Line #4	Mark Unit: Side 3rd floor casements			
Qty: 2				



Built around you.



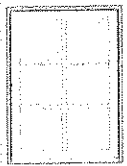
As Viewed From The Exterior

Entered As: Size by Units
 MO 51 5/8" X 49 7/8"
 FS 48" X 48 1/16"
 RO 49" X 48 9/16"

Primed Pine Exterior
 Bare Pine Interior
 2W1H - Rectangle Assembly
 Assembly Rough Opening w/ Subsill
 49" X 48 9/16"
 Unit: A1
 Wood Ultimate Casement - Left Hand
 CN 2448
 Rough Opening w/ Subsill
 25" X 48 9/16"
 Frame Size w/ Subsill
 24" X 48 1/16"
 IG - 3/4 in - 1 Lite
 LoE 272 w/Argon
 7/8" SDL - With Spacer Bar
 Rectangular - Special Cut 2W4H
 Primed Pine Ext - Bare Pine Int
 Ogee Glazing Profile
 Standard Bottom Rail
 Beige Weather Strip
 Antique Brass Folding Handle
 Antique Brass Multi - Point Lock
 Interior Wood Screen
 Charcoal Hi-Transparency Fbrgl's Mesh
 Bare Pine

Unit: A2
 Wood Ultimate Casement - Right Hand
 CN 2448
 Rough Opening w/ Subsill
 25" X 48 9/16"
 Frame Size w/ Subsill
 24" X 48 1/16"
 IG - 3/4 in - 1 Lite
 LoE 272 w/Argon
 7/8" SDL - With Spacer Bar
 Rectangular - Special Cut 2W4H
 Primed Pine Ext - Bare Pine Int
 Ogee Glazing Profile
 Standard Bottom Rail
 Beige Weather Strip
 Antique Brass Folding Handle
 Antique Brass Multi - Point Lock
 Interior Wood Screen
 Charcoal Hi-Transparency Fbrgls Mesh
 Bare Pine
 Factory Mull Charge
 5 3/16" Jambs
 BMC
 Standard Subsill
 No Installation Method

Line #5	Mark Unit: Back 3rd floor casement			
Qty: 1				



As Viewed From The Exterior

Entered As: FS
 MO 29 1/8" X 38 1/16"
 FS 25 1/2" X 36 1/4"
 RO 26 1/2" X 36 3/4"

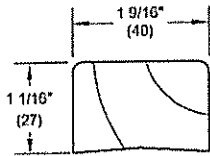
Primed Pine Exterior
 Bare Pine Interior
 Wood Ultimate Casement - Left Hand
 Frame Size w/ Subsill
 25 1/2" X 36 1/4"
 Rough Opening w/ Subsill
 26 1/2" X 36 3/4"
 IG - 3/4 in - 1 Lite
 LoE 272 w/Argon
 7/8" SDL - With Spacer Bar
 Rectangular - Special Cut 2W3H
 Primed Pine Ext - Bare Pine Int
 Ogee Glazing Profile
 Standard Bottom Rail
 Beige Weather Strip
 Satin Taupe Folding Handle
 Satin Taupe Multi - Point Lock
 Interior Wood Screen
 Charcoal Hi-Transparency Fbrgls Mesh
 Bare Pine
 5 3/16" Jambs
 BMC
 Standard Subsill
 No Installation Method

Accessories

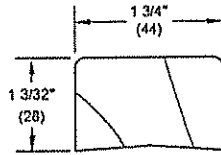
Wood Exterior Mullion Trim and Wood Exterior Casing

Not to Scale

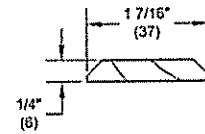
Wood Exterior Mullion Trim



W1034 - For Ultimate Gilder

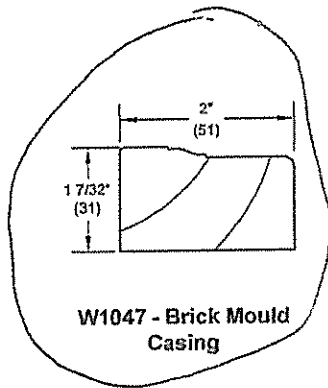


W1094 - For Magnum Double Hung

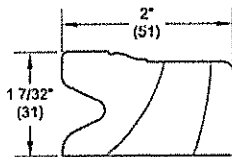


W1242 - for 3/8\"/>

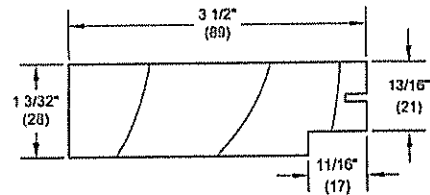
Exterior Casing



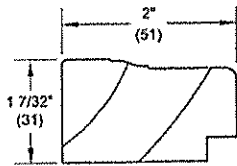
W1047 - Brick Mould Casing



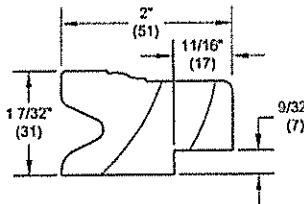
W1039 - Stucco Brick Mould Casing



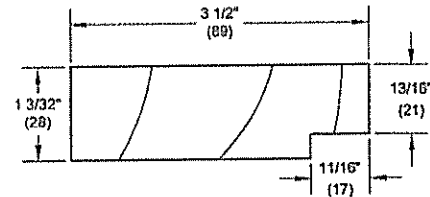
W1047 - Flat Casing
Top casing for Sliding, Swinging and French Doors Includes Screen Kerf



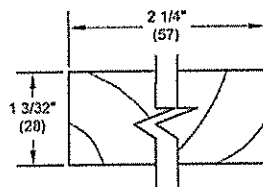
W6533 - Brick Mould Casing
For Sliding French Door



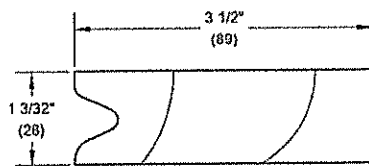
W1049 - Stucco Brick Mould Casing
Side Casing for Sliding, Swinging and French Doors



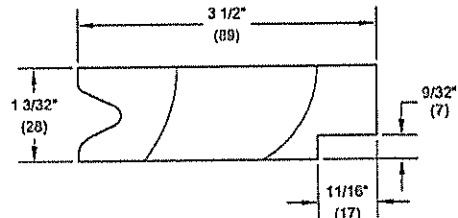
W1076 - Flat Casing
Side Casing for Sliding, Swinging and French Doors



Flat Casing
available from 2\"/>

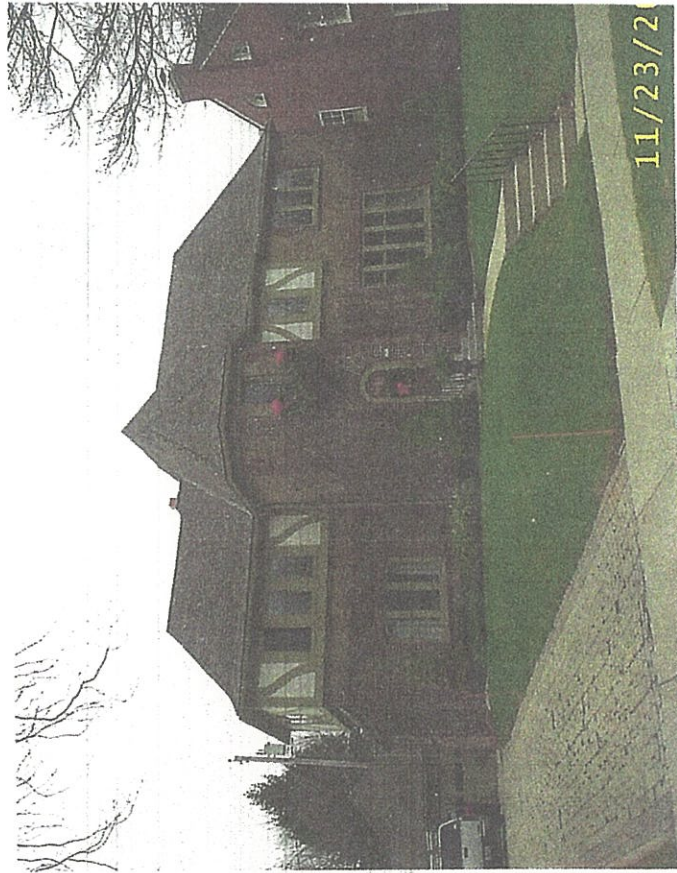
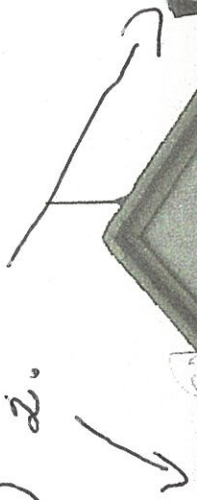


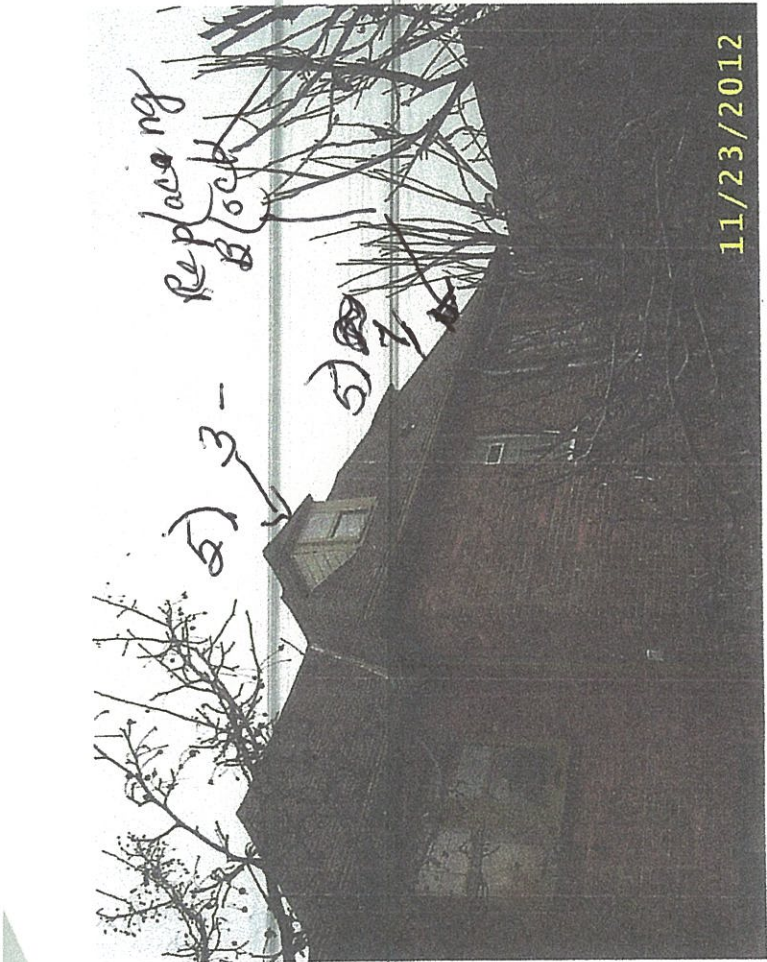
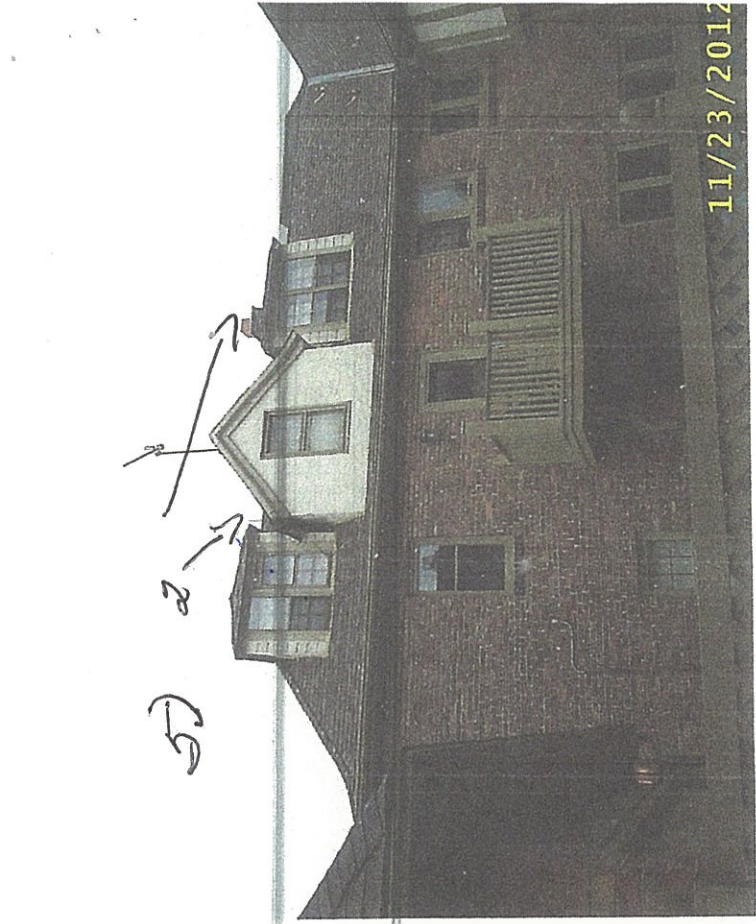
W1035 - Stucco Flat Casing
3 1/2\"/>



W1030 - Stucco Flat Casing
3 1/2\"/>

5) 2.





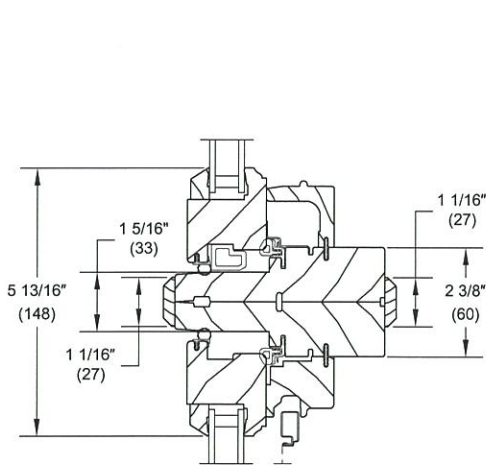
Molding example for windows, Custom



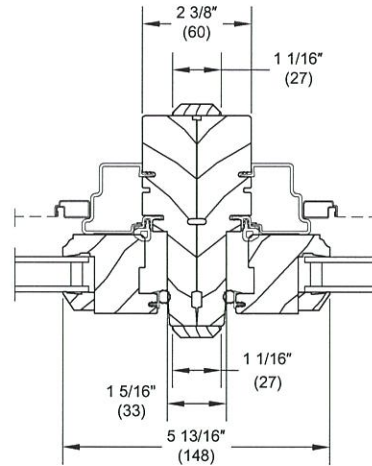
cut by A. Fillingier. Tna

Section Details: Full Frame Mullion Options

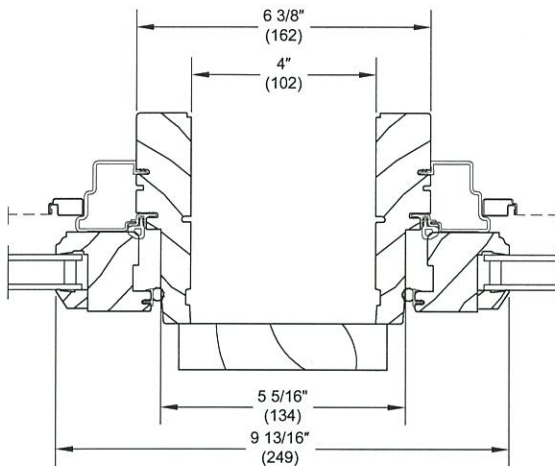
Scale: 3" = 1' 0"



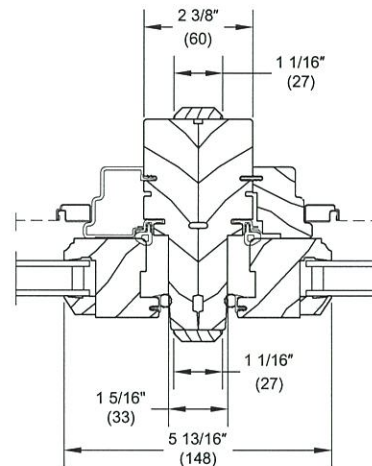
Horizontal Mullion - Stationary/Operator



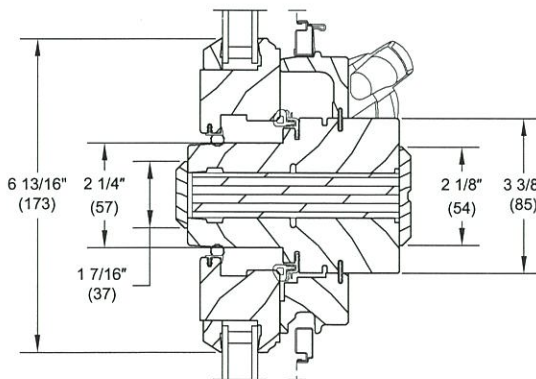
Vertical Mullion-Operator/Operator/Direct Mull



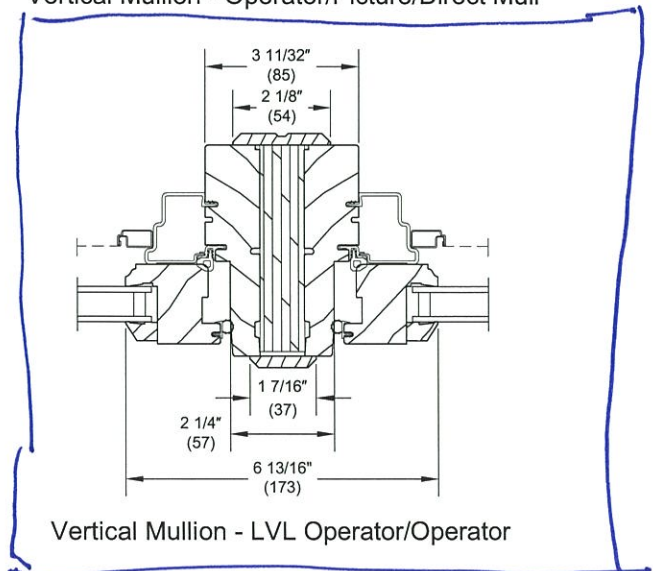
Vertical Mullion - with 4" Space Mull Operator/Operator



Vertical Mullion - Operator/Picture/Direct Mull



Vertical Mullion - LVL Operator/Operator



Vertical Mullion - LVL Operator/Operator

