



# PETITION FOR A SPECIAL PRIVILEGE

cc1-246 (12/13)

SP 2655  
CCF 140304

- New application \$250.00 Fee**
- Amendment to add items to Special Privilege #\_ (\$125.00 Fee)**
- Amendment to remove items from Special Privilege #\_ (No fee)**
- Amendment for change of ownership for Special Privilege #\_ (No fee)**

- File petition with the Department of Public Works, Attention: Special Privileges, 841 North Broadway, Room 919, Milwaukee, WI 53202.
- Fee must be submitted with petition. Checks should be made payable to the City of Milwaukee.
- Questions? Call 414-286-2454

To the Honorable, The Common Council of the City of Milwaukee:

The Licensee

MERGE INC DBA YIELD  
(Name of Individual, Partners, Corporation or LLC)

being the owners of the following property known by street address as 1932 East Kenilworth Place, 53202

(Street Address and Zip Code)

in the 3rd Aldermanic District respectfully petition the Common Council of the City of Milwaukee according to the provisions of Section 66.0425 of the Wisconsin Statutes, that the following privilege be granted:

Description of Special Privilege:

(RAILING TO STAY OUTSIDE MAR - OCT) BOLTING A RAILING INTO THE SIDEWALK TO MAINTAIN ORDER + KEEP CUSTOMERS FROM MOVING ONTO THE STREET, BUT MAINTAINING A 5FT WALKWAY

Of which a plan or sketch is herewith submitted. Petitioner agrees to comply with all laws and all ordinances of the City of Milwaukee, to abide by any order or resolution of the Common Council affecting this privilege, to be primarily liable for damages to person or property by reason of the granting of such privilege, pay annual compensation as provided by law in the sum to be fixed by the proper city officers, and to file and keep current throughout the existence of the privilege, a certificate of insurance indicating applicant holds a public liability policy in at least the sums of \$25,000.00/\$50,000.00 bodily injury, and \$10,000.00 property damage, insuring the city against any liability that might arise by reason of the privilege.

Petitioner further agrees to remove said privilege whenever public necessity so requires when so ordered upon resolution adopted by the Common Council or other legislative body.

Should this special privilege be discontinued for any reason whatsoever, petitioner agrees to remove all construction work executed pursuant to this special privilege, to restore to its former condition and to the approval of the Commissioner of Public Works, any curb, pavement, or other public improvement which was removed, changed or disturbed by reason of the granting of this special privilege. Petitioner further agrees not to contest the validity of Section 66.0425 of the Wisconsin Statutes, or the legality of this special privilege in any way.

Name (Please Print): TOM ZEISLER  
(Individual, Partner, or Agent if corporation or LLC as shown above)

Signature: Tom Zeisler  
(Individual, Partner, or Agent if corporation or LLC)

Corporation or LLC Name: MERGE INC. DBA YIELD  
(If applicable, as shown above)

Mailing Address (If different than property address above):

(OVER)

City:

State:

\_ Zip:

Telephone: 414-397-0305

\_ E-Mail: zfranyield@gmail.com

Architect/Engineer/Contractor (If Applicable)

Name:

Address:

City:

State:

\_ Zip:

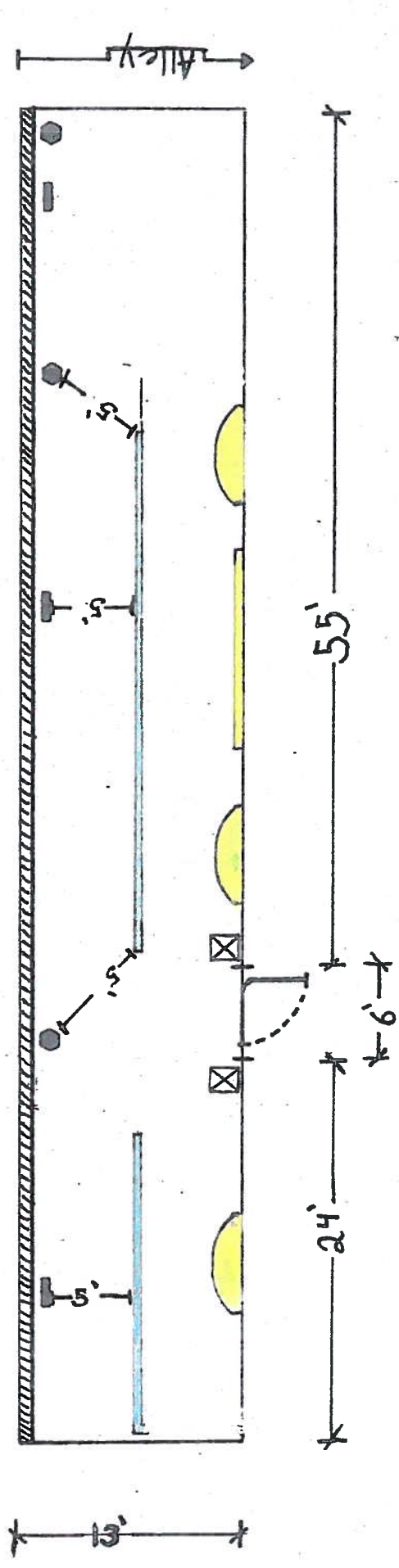
Telephone:

\_ E-Mail:

**IMPORTANT NOTICE FOR CUSTOMERS PAYING BY CHECK**

When you provide a check as payment, you authorize us either to use information from your check to make a one-time electronic fund transfer from your account or to process the payment as a check transaction.

E. Knollworth Place



#1932 A: Yield Bar

	Drink Tables/ledge
	Hand Sailing
	Flower Pot
	Light Pole
	Parking Meter

**FREE SHIP TO STORE<sup>1</sup> OR HOME<sup>2</sup> ON OVER 500,000 ITEMS<sup>3</sup>. NEED IT NOW? BUY ONLINE AND PICK UP IN STORE<sup>1</sup>.**



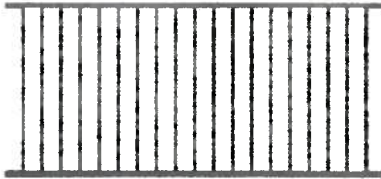
More saving.  
More doing.

Your Store  
**Bellevue (e Green Bay) #4915**

[Tool & Truck Rental](#) [Installation Services and Repair](#) [Gift Cards](#) [Help](#)

## First Alert 32 in. x 93 in. Black Steel Standard Grade Fence Panel (2-Pack)

Model # F2GHDS93X322PK Internet # 203165872



**\$123.00** / pallet

**PRODUCT SOLD:** Or  
Item cannot be shipped

### PRODUCT OVERVIEW

Professional Choice Columbia Black Steel Fence Panel to help provide sturdy fencing for rust resistance and welded for added strength. It is also coated with a black powder coat finish to help preserve its appearance.

- Manufactured from 16-Gauge steel for strength
- Corrosion resistance
- Black panel offers a neat, attractive appearance
- Welded frame for strength
- Baked-on powder coat finish for added durability
- 2 Becker rails for support of the panel
- Easy to install

### SPECIFICATIONS

Actual panel height (in.)	32	Actual panel thickness (in.)	1
Actual panel width (in.)	93	Assembled Depth (in.)	2 in
Assembled Height (in.)	32 in	Assembled Width (in.)	93 in
Cap/top included	No	Color Family	Black
Color/Finish	Black	Commercial/Residential Use	Commercial / Residential
Fence Application	Decorative, Pool	Fencing Product Type	Ornamental Metal Fence Panels
Gauge	16	Manufacturer Warranty	3 years materials and workmanship 1 year powder coat finish
Material	Metal	Nominal panel height (ft.)	32
Nominal panel width (ft.)	93	Number of rails for panels	2
Pool approved	Yes	Product Weight (lb.)	28
Returnable	90-Day	Structure type	Ornamental only

### SHIPPING OPTIONS

Most orders process within 3 business days.

Please allow 5-10 business days for **Basic Home Shipping (No Appointment)** in the Continental U.S., plus order processing time. Basic Home Shipping includes delivery to your doorstep or first dry area outside with no signature or appointment required. Delivery services for this item may be upgraded for an additional fee.

Other Delivery Options:

**Threshold Home Shipping (By Appointment):** Delivery in the Continental U.S. within 5-10 business days, plus order processing time. Threshold Home Shipping includes delivery across your first doorway or threshold (i.e. into garage, backyard, or first room of the home). The carrier will contact you to make a delivery appointment with a 4 hour window once the items have arrived at the local hub in

This item is also available for pick up in your local store (FREE) within 4-7 business days, plus order processing time.