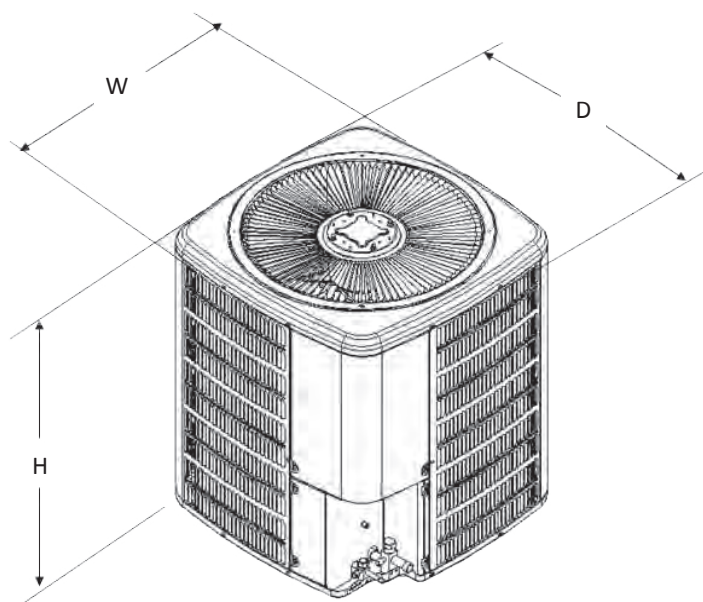


DIMENSIONS



MODEL	DIMENSIONS		
	W"	D"	H"
VSX130181D*	23	23	23%
VSX130181E*	23	23	25%
VSX130241D*	23	23	25%
VSX130301D*	23	23	25%
VSX130361D*	23	23	30%
VSX130421B*	29	29	36%
VSX130481B*	29	29	36%
VSX130601B*	29	29	40