



LIVING WITH HISTORY

# Certificate of Appropriateness

Milwaukee Historic Preservation Commission/200 E. Wells Street/Milwaukee, WI 53202/phone 414-286-5712/fax 414-286-3004

<b>Property</b>	<b>1225 W Historic Mitchell Street #217</b>
<b>Description of work</b>	Installation of new lighted sign on channel mounting
<b>Date issued</b>	2/16/2022
	PTS ID 115241

In accordance with the provisions of Section 320-21 (11) and (12) of the Milwaukee Code of Ordinances, the Milwaukee Historic Preservation Commission has issued a certificate of appropriateness for the work listed above. The work was found to be consistent with preservation guidelines. The following conditions apply to this certificate of appropriateness:

Sign must be mounted only within mortar joints.

Sign may not obscure decorative stonework.

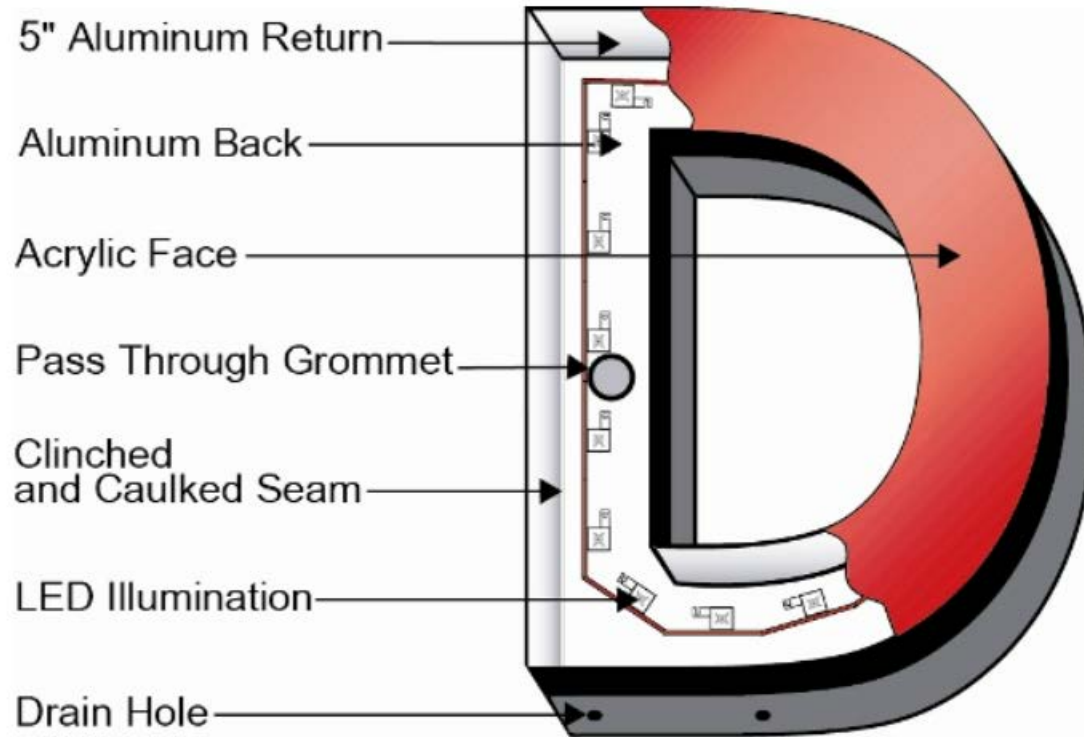
All work must be done in a craftsman-like manner, and must be completed within one year of the date this certificate was issued. Staff must approve any changes or additions to this certificate before work begins. Work that is not completed in accordance with this certificate may be subject to correction orders or citations. If you require technical assistance, please contact Historic Preservation staff as follows: Phone: (414) 286-5712 E-mail: [hpc@milwaukee.gov](mailto:hpc@milwaukee.gov).

If permits are required, you are responsible for obtaining them from the Milwaukee Development Center. If you have questions about permit requirements, please consult the Development Center's web site, [www.milwaukee.gov/permits](http://www.milwaukee.gov/permits), or call (414) 286-8210.

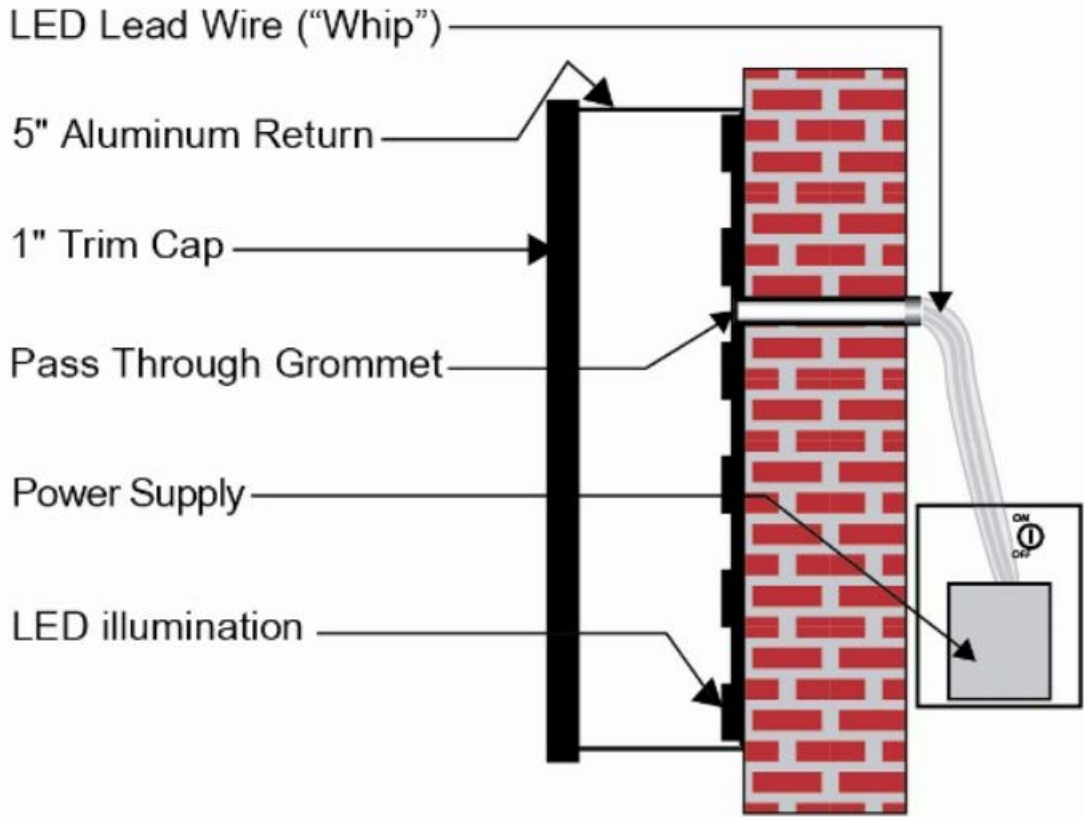
*Jacqueline Drayer*

City of Milwaukee Historic Preservation

Copies to: Development Center, Ald. J. Perez



## FRONT VIEW



## **SIDE VIEW FLUSH MOUNT**



