

# Relocate and Re-Face of Existing Projecting Sign

(1) Req'd - (3) Faces 1/2" = 1' - 0" Scale

Relocate Existing Sign to Northmost Column closest to Alley at Corner of Bldg. Sign to Remain on East Elevation Wall. 120V Primary Electrical Connection to Existing Power and Hook-up by Locally Licensed Electrician - If power within 3ft of Sign, Sign Effectz may make the connection.

Sign to be anchored to building similar to previous location as same Dist from Grade, working within allowances at Exterior Masonry Wall.

Fabricate and Install (3) Sign Faces to Replace Existing Faces on 3 Sides of Sign.

**Face 1 & 2:** 120"h x 42"w x .125" thk Routed Alum  
**Paint:** MAP Satin Black  
**Acrylic 1:** .708" thk Clear Push-Thru Acrylic (.5" projects from face)  
**Acrylic 2:** .118" thk #7328 White Acrylic Backer

**Face 3:** 120"h x 10.75"w x .125" thk Routed Alum  
**Paint:** MAP Satin Black  
**Acrylic 1:** .708" thk Clear Push-Thru Acrylic (.5" projects from face)  
**Acrylic 2:** .118" thk #7328 White Acrylic Backer  
**Vinyl 1:** 1st surface applied Black Vinyl (opaque)  
**Vinyl 2:** 1st surface applied Orange Vinyl (translucent - spec to be approved by customer)

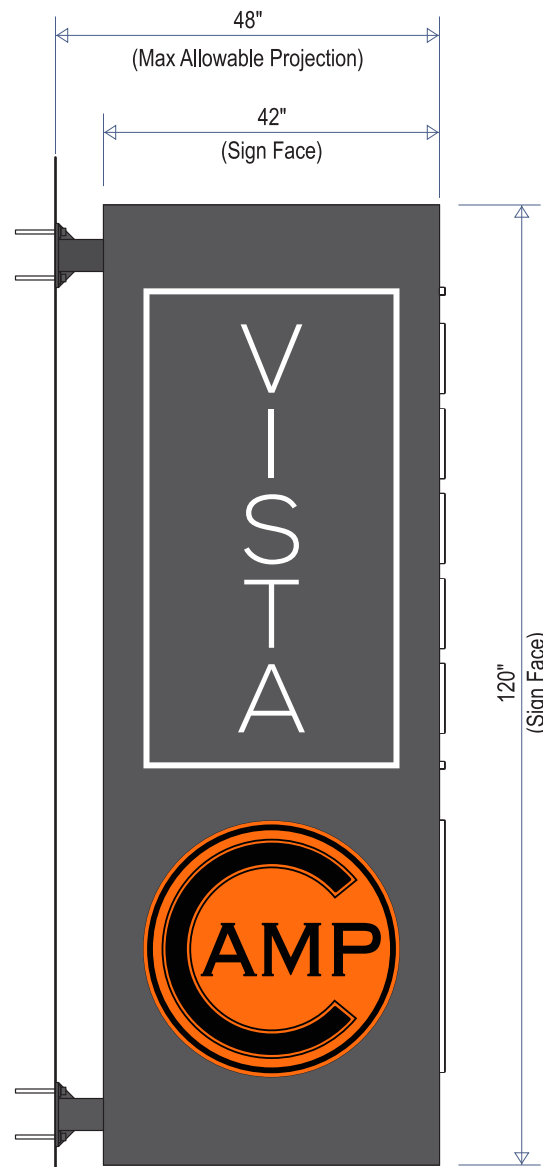
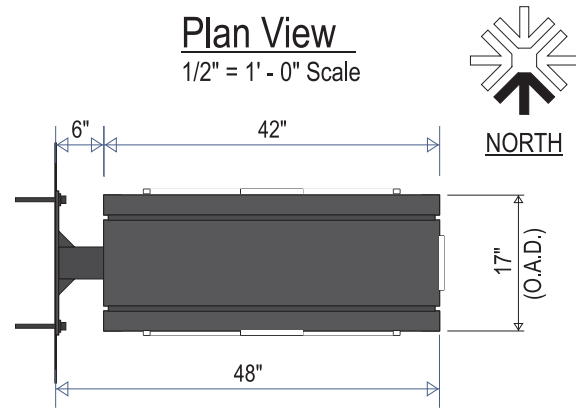
**Attachment:** Mechanically Fastened w/ Corrosion-Free Fasteners  
**Illumination:** Existing White LED Illumination  
**Power:** Existing Power Supplies

## Color Schedule:

- MAP Satin Black Painted Finish (same as existing sign)  
*shown lighter to see other details*
- #7328 White Acrylic
- 3M 7725-22 'Matte Black' Vinyl Film (opaque)
- 3M 3630-84 'Tangerine' Vinyl Film (translucent) TBD

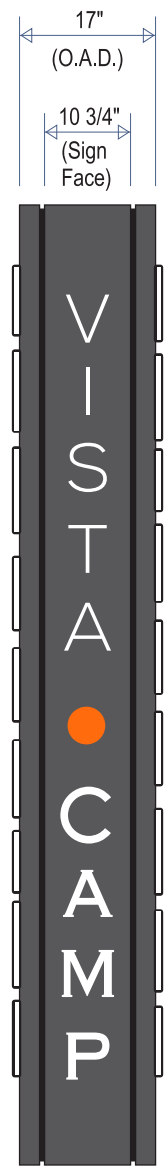
## Plan View

1/2" = 1' - 0" Scale



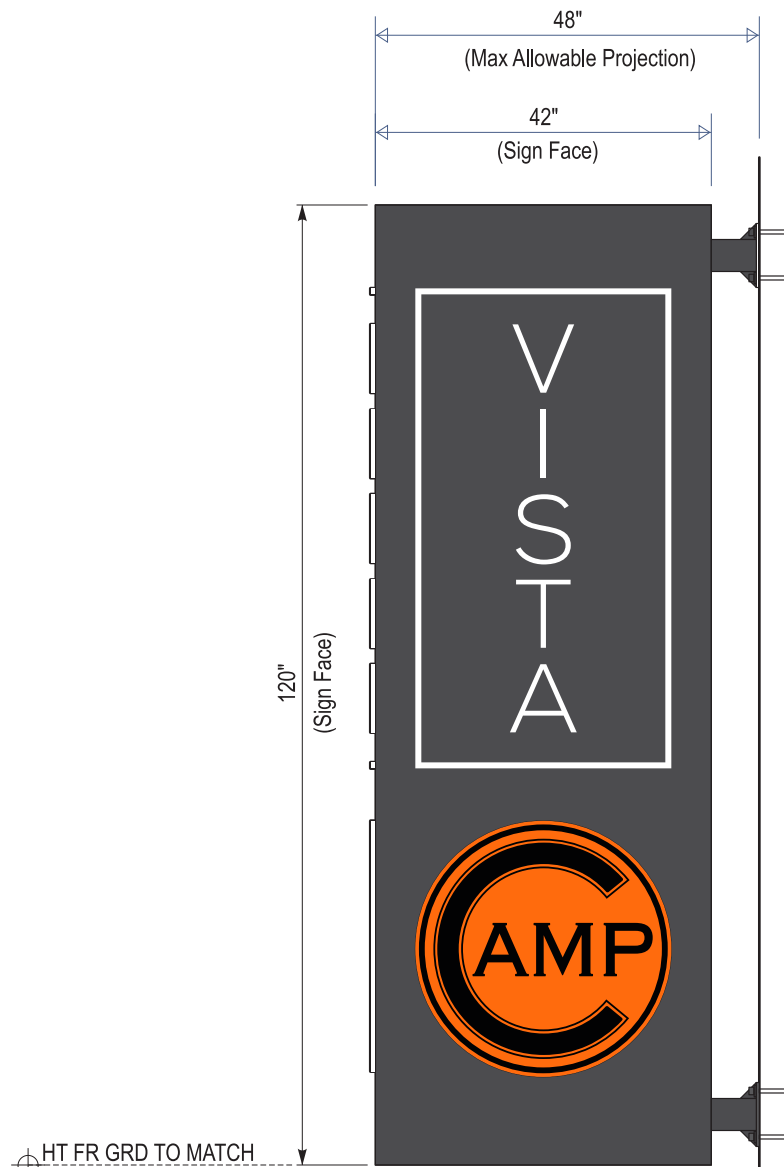
## S. Elevation

1/2" = 1' - 0" Scale



## E. Elevation

1/2" = 1' - 0" Scale



## N. Elevation

1/2" = 1' - 0" Scale



**Project:**  
Camp Bar - Old World 3rd

**Project Location:**  
1023 N Old World 3rd St,  
Milwaukee, WI 53203

**Billing Location:**  
1023 N Old World 3rd St,  
Milwaukee, WI 53203

### PERMIT USE ONLY

**Sales Rep:** JCB **Date:** 02/04/20  
**Design:** AAE

[12653-02] (3) New Alum faces w/ Push-Thru Clear Acrylic backed w/ white acrylic. This includes the removal and disposal of the existing faces. Approx. overall size is Front/ Back = (x2) 42" x 120" Side = (x1) 10.75" x 120"

[12653-01] Relocate Flag Sign to Northmost Column by Alley.

**Disclaimer:**  
THIS IS AN ORIGINAL DESIGN CREATED BY SIGN EFFECTZ. THE SUBMITTED DESIGN PROTECTED UNDER COPYRIGHT LAWS OF THE UNITED STATES CODE YOU AGREE NOT TO COPY PHOTOGRAPH MODIFY OR SHARE DIRECTLY OR INDIRECTLY ANY OF THE FOREGOING HELD BY YOU WITH ANY OTHER PARTY, NOR WILL YOU PERMIT ANY THIRD PARTY TO DO ANY OF THE FOREGOING WITHOUT THE WRITTEN CONSENT OF SIGN EFFECTZ.

THIS SIGN IS INTENDED TO BE INSTALLED IN ACCORDANCE WITH THE REQUIREMENTS OF ARTICLE 600 OF THE NEC AND/OR OTHER APPLICABLE LOCAL CODES. THIS INCLUDES PROPER GROUNDING AND BONDING OF THE SIGN.

**Notes**  Survey Req'd  Permit Req'd  Need Prod. Art

[Insert]

### REVISIONS:

Rev	By	Date
Rev A		
Rev B		
Rev C		
Rev D		
Rev E		
Rev F		

Scale: 1/2" = 1' - 0"

Original Page Size: 11" x 17"

27055864 P\_01  
 INS - PROJ NO. SHEET NO. REV.

1  
 PERMIT PKG NO.

12553  
 ESTIMATE NO.

Work Order #: 12653-02



**Project:**  
Camp Bar - Old World 3rd

**Project Location:**  
1023 N Old World 3rd St,  
Milwaukee, WI 53203

**Billing Location:**  
1023 N Old World 3rd St,  
Milwaukee, WI 53203

**PERMIT USE ONLY**

**Sales Rep:** JCB **Date:** 02/04/20  
**Design:** AAE

[12653-02] (3) New Alum faces w/ Push-Thru Clear Acrylic backed w/ white acrylic. This includes the removal and disposal of the existing faces. Approx. overall size is Front/ Back = (x2) 42" x 120" Side = (x1) 10.75" x 120"h

[12653-01] Relocate Flag Sign to Northmost Column by Alley.

**Disclaimer:**  
THIS IS AN ORIGINAL DESIGN CREATED BY SIGN EFFECTZ. THE SUBMITTED DESIGN PROTECTED UNDER COPYRIGHT LAWS OF THE UNITED STATES CODE YOU AGREE NOT TO COPY PHOTOGRAPH MODIFY OR SHARE DIRECTLY OR INDIRECTLY ANY OF THE FOREGOING HELD BY YOU WITH ANY OTHER PARTY, NOR WILL YOU PERMIT ANY THIRD PARTY TO DO ANY OF THE FOREGOING WITHOUT THE WRITTEN CONSENT OF SIGN EFFECTZ.

THIS SIGN IS INTENDED TO BE INSTALLED IN ACCORDANCE WITH THE REQUIREMENTS OF ARTICLE 600 OF THE NEC AND/OR OTHER APPLICABLE LOCAL CODES. THIS INCLUDES PROPER GROUNDING AND BONDING OF THE SIGN.

**Notes**  Survey Req'd  Permit Req'd  Need Prod. Art

[Insert]

**REVISIONS:**

Rev A	_____	By _____	Date _____
Rev B	_____	By _____	Date _____
Rev C	_____	By _____	Date _____
Rev D	_____	By _____	Date _____
Rev E	_____	By _____	Date _____
Rev F	_____	By _____	Date _____

Scale: 1/2" = 1' - 0"  
Original Page Size: 11" x 17"

27055864 P\_02  
INS - PROJ NO. SHEET NO. REV.

1  
PERMIT PKG NO.

12553  
ESTIMATE NO.

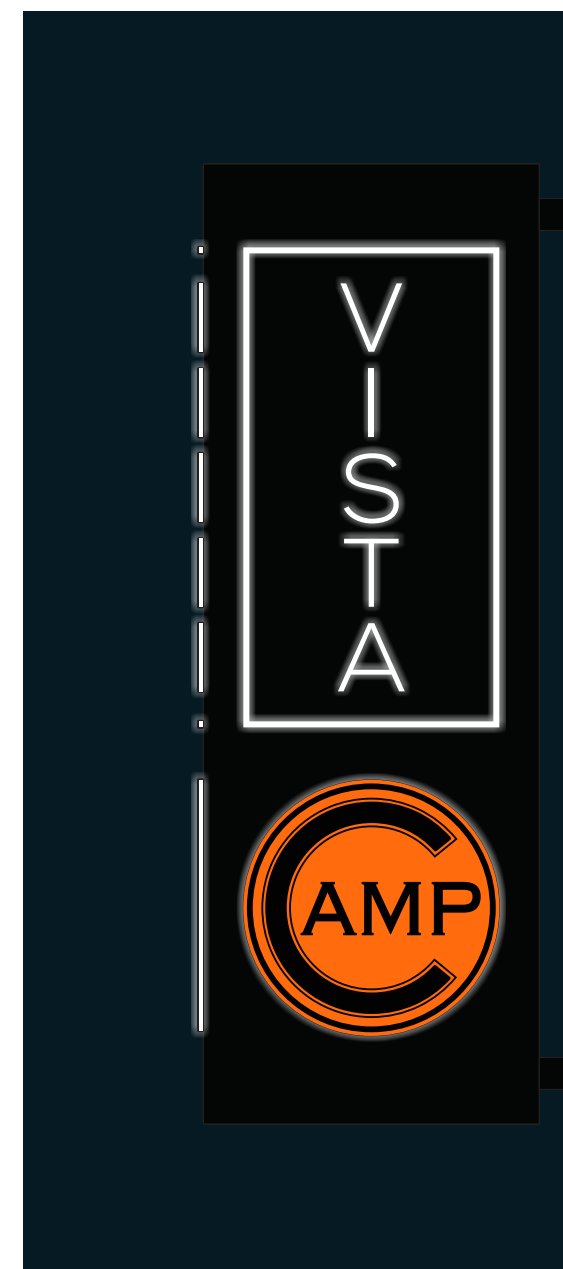
Work Order #: 12653-02



S. Elevation - Simulated Night View  
1/2" = 1' - 0" Scale



E. Elevation - Simulated Night View  
1/2" = 1' - 0" Scale



N. Elevation - Simulated Night View  
1/2" = 1' - 0" Scale



EXISTING LOCATION - E. ELEV - NTS

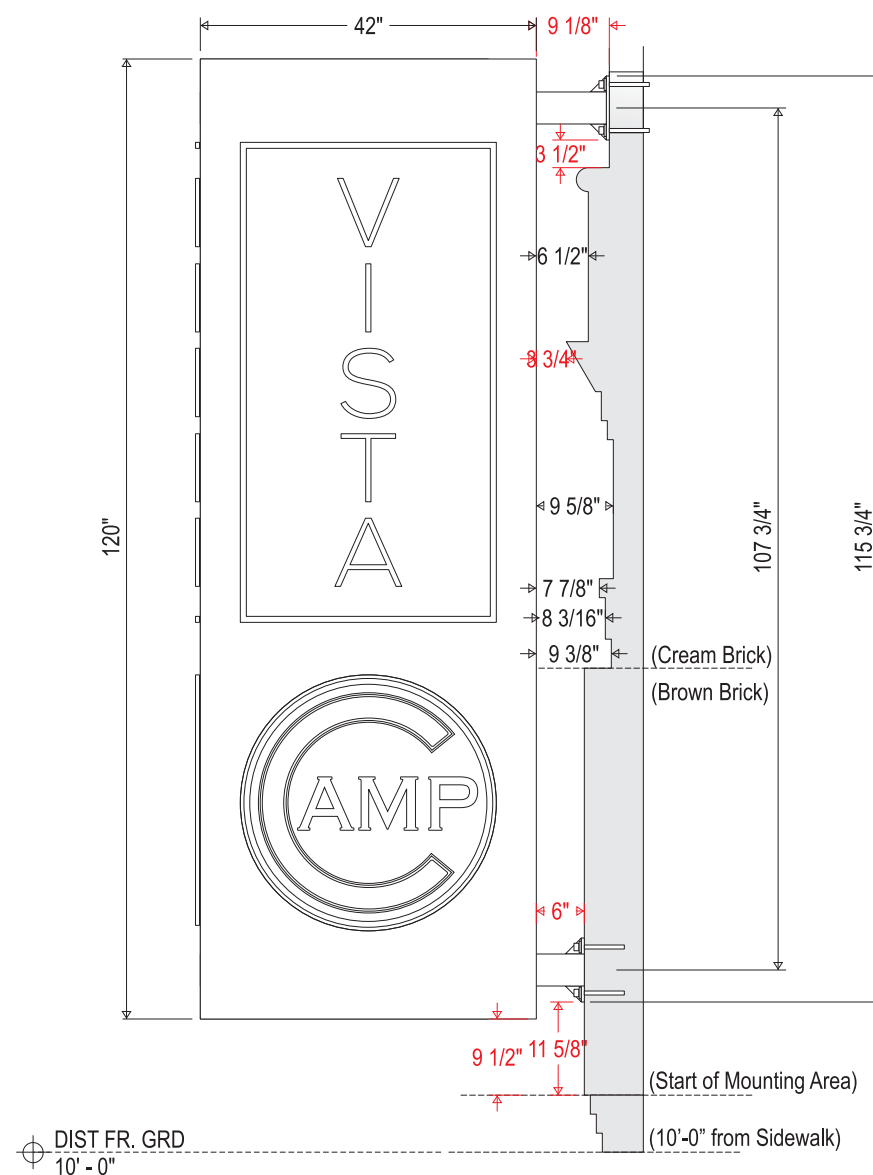


PROPOSED LOCATION - E. ELEV - NTS



Install Locaiton - N. Elev View

1/2" = 1' - 0" Scale



SignEffectz, Inc.™

SIGN / LIGHTING

www.signeffectz.com

1827 W. Glendale Ave. Milwaukee, WI 53209  
Ph: 414.264.5504 Fx: 414.262.5564



Project:  
Camp Bar - Old World 3rd

Project Location:  
1023 N Old World 3rd St,  
Milwaukee, WI 53203

Billing Location:  
1023 N Old World 3rd St,  
Milwaukee, WI 53203

PERMIT USE ONLY

Sales Rep: JCB Date: 02/04/20  
Design: AAE

[12653-02] (3) New Alum faces w/ Push-Thru Clear Acrylic backed w/ white acrylic. This includes the removal and disposal of the existing faces. Approx. overall size is Front/ Back = (x2) 42" x 120" Side = (x1) 10.75" x 120"h

[12653-01] Relocate Flag Sign to Northmost Column by Alley.

**Disclaimer:**  
THIS IS AN ORIGINAL DESIGN CREATED BY SIGN EFFECTZ. THE SUBMITTED DESIGN PROTECTED UNDER COPYRIGHT LAWS OF THE UNITED STATES CODE YOU AGREE NOT TO COPY PHOTOGRAPH MODIFY OR SHARE DIRECTLY OR INDIRECTLY ANY OF THE FOREGOING HELD BY YOU WITH ANY OTHER PARTY, NOR WILL YOU PERMIT ANY THIRD PARTY TO DO ANY OF THE FOREGOING WITHOUT THE WRITTEN CONSENT OF SIGN EFFECTZ.

THIS SIGN IS INTENDED TO BE INSTALLED IN ACCORDANCE WITH THE REQUIREMENTS OF ARTICLE 600 OF THE NEC AND/OR OTHER APPLICABLE LOCAL CODES. THIS INCLUDES PROPER GROUNDING AND BONDING OF THE SIGN.

**Notes**  Survey Req'd  Permit Req'd  Need Prod. Art

[Insert]

REVISIONS:

Rev A	By	Date
Rev B	By	Date
Rev C	By	Date
Rev D	By	Date
Rev E	By	Date
Rev F	By	Date

Scale: 1/2" = 1' - 0"  
Original Page Size: 11" x 17"

27055864 P\_03  
INS - PROJ NO. SHEET NO. REV.

1  
PERMIT PKG NO.

12553  
ESTIMATE NO.

Work Order #: 12653-02

EXISTING AND PROPOSED SIGN LOCATIONS - EAST ELEVATION - NTS

