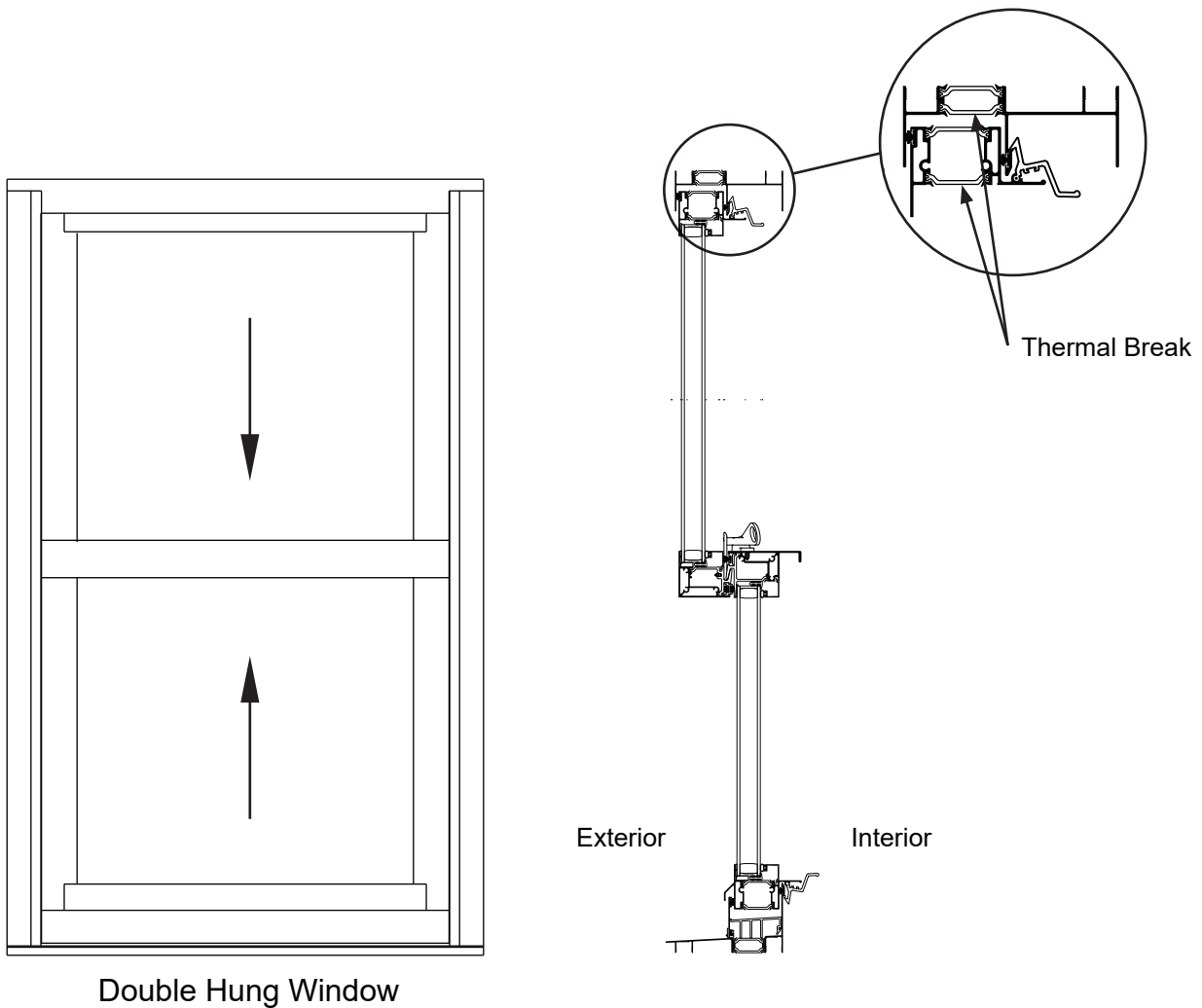


Standard Features

- High Performance Architectural Grade Window
- Tested to U.S. and Canadian Standards
- Polyamide Thermal Break
- Screw and Spline Frame Corner Joinery
- Factory Silicone Glazed
- Interior Applied Glazing Bead
- Architectural Anodized Finishes and Applied Coatings
- Interior and Exterior Dual Finish Options
- Two Year Manufacturer's Warranty
- Optional Bevel Face



For specific product applications,
consult your Kawneer representative.

Laws and building and safety codes governing the design and use of Kawneer products, such as glazed entrance, window, and curtain wall products, vary widely. Kawneer does not control the selection of product configurations, operating hardware, or glazing materials, and assumes no responsibility therefor.

Kawneer reserves the right to change configuration without prior notice when deemed necessary for product improvement.
© 2014, Kawneer Company, Inc.

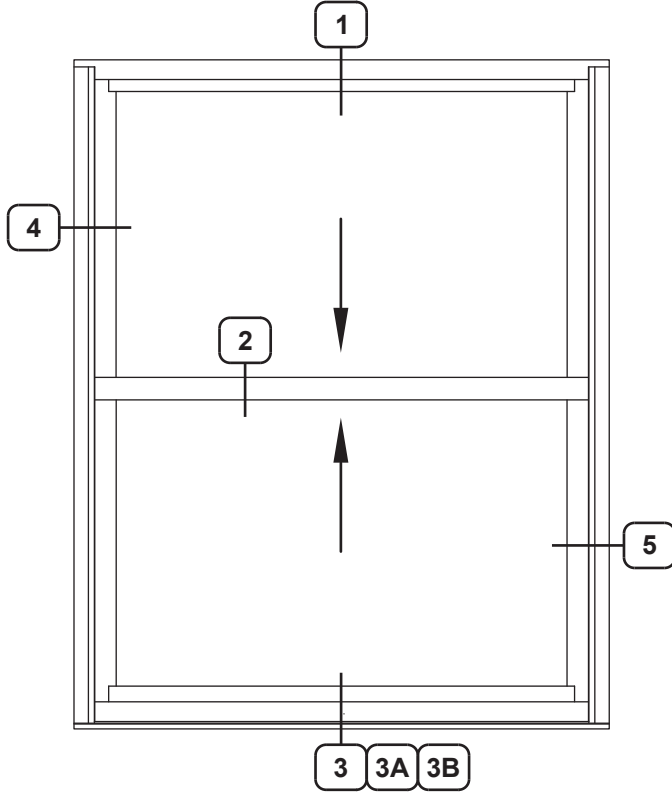
| | |
|------------------------------------|---|
| CLASS and GRADE | CLASS AW-PG65-H |
| TESTING METHOD | AAMA / WDMA / CSA / 101 / I.S.2 / A440 (NAFS) |
| FRAME DEPTH | 4-5/8" Overall Frame Depth |
| TYPICAL WALL THICKNESS | .070" Nominal |
| TYPICAL MAXIMUM WINDOW SIZE | 60" x 99" |
| TYPICAL MINIMUM WINDOW SIZE | 24" x 36" |
| TYPICAL CONFIGURATIONS | |
| STANDARD INFILL OPTIONS | 1" and 1-1/2" |
| STANDARD HARDWARE | Heavy Duty Balances Zinc Die Cast Sweep Locks Sash Stops Aluminum Upper Sash Auto Lock |
| OPTIONAL HARDWARE | Aluminum or White Bronze Sill Auto Locks |
| OTHER OPTIONS | Between the Glass Muntins Historic Beveled Exterior Glazed-in Muntins (1-1/2" max. overall thickness) Exterior and Interior Tape Applied Muntins Perimeters and Sills Exterior Pannings and Interior Trims True Intermediate Muntin Structural Mullions Male/Female horizontally stacked H-Mullion for vertical stacking Strap Anchors |

Laws and building and safety codes governing the design and use of Kawneer products, such as glazed entrance, window, and curtain wall products, vary widely. Kawneer does not control the selection of product configurations, operating hardware, or glazing materials, and assumes no responsibility therefor.

Kawneer reserves the right to change configuration without prior notice when deemed necessary for product improvement.
© 2014, Kawneer Company, Inc.

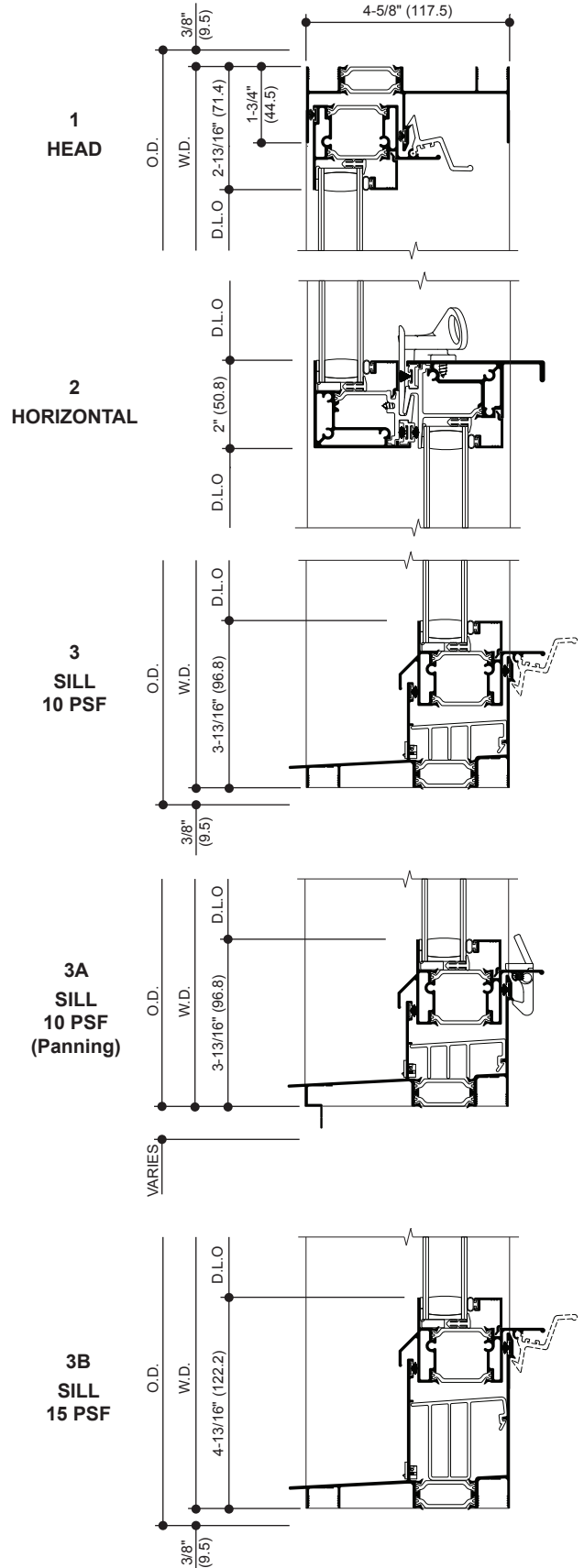
Additional information and CAD details are available at www.kawneer.com

AA[®]5450 DOUBLE HUNG WINDOW (1" Double Glazed)



TYPICAL ELEVATION

Log onto www.kawneer.com for other configurations



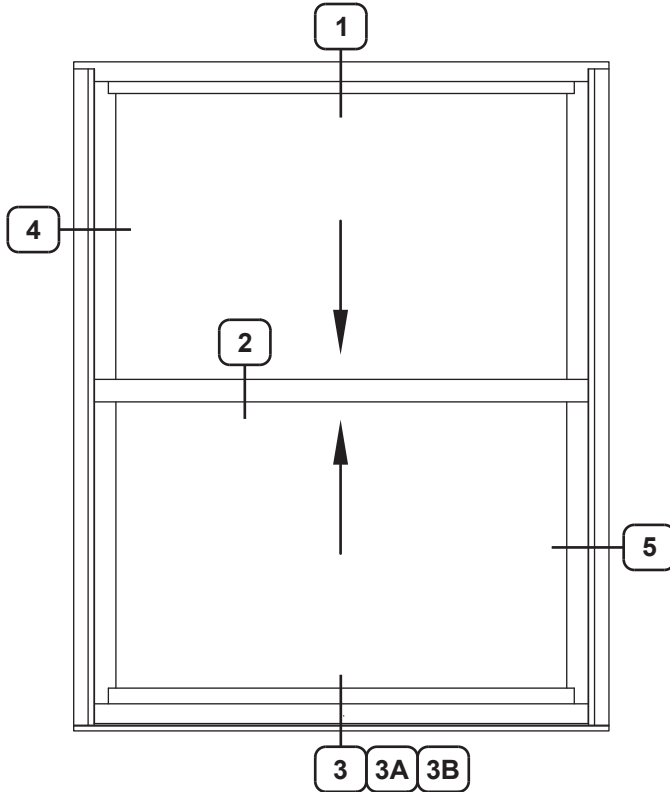
Note:
15 PSF sill also available for use with panning.

Laws and building and safety codes governing the design and use of Kawneer products, such as glazed entrance, window, and curtain wall products, vary widely. Kawneer does not control the selection of product configurations, operating hardware, or glazing materials, and assumes no responsibility therefor.

Kawneer reserves the right to change configuration without prior notice when deemed necessary for product improvement.
© 2014, Kawneer Company, Inc.

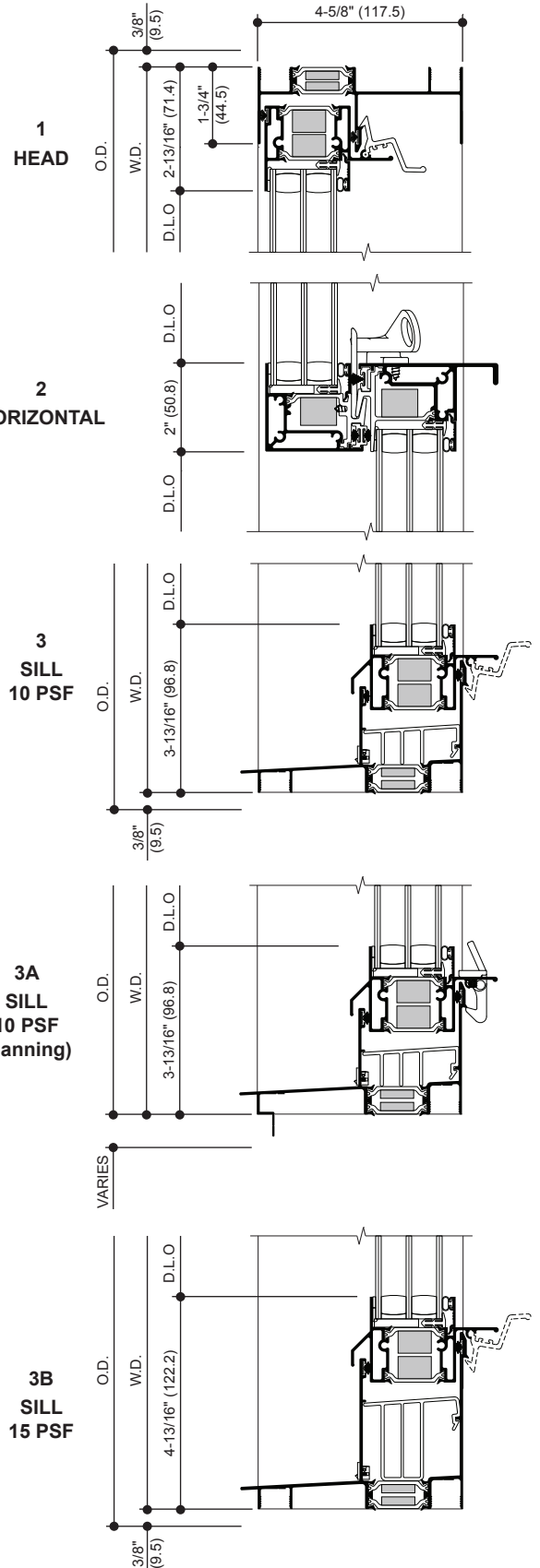
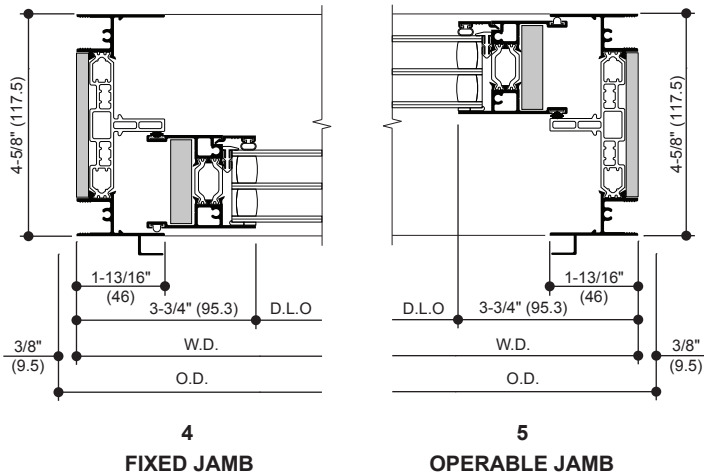
Additional information and CAD details are available at www.kawneer.com

**AA®5450 DOUBLE HUNG WINDOW
(1-1/2" Triple Glazed)**



TYPICAL ELEVATION

Log onto www.kawneer.com for other configurations



Note:
15 PSF sill also available for use with panning.

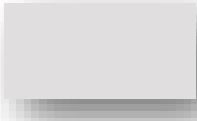
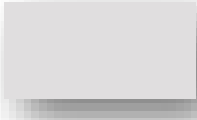





Laws and building and safety codes governing the design and use of Kawneer products, such as glazed entrance, window, and curtain wall products, vary widely. Kawneer does not control the selection of product configurations, operating hardware, or glazing materials, and assumes no responsibility therefor.

Kawneer reserves the right to change configuration without prior notice when deemed necessary for product improvement.
© 2014, Kawneer Company, Inc.

Kawneer Anodize finishes

Kawneer gives you a wide variety of anodized finishes with attractive alternatives. The benefit of a durable, anodized finish is married to the beauty of some very dynamic and exciting colors.

At the start of every design, there's a choice of how you want to finish. Contact your Kawneer sales rep for the information on these and other finishes available from Kawneer.

| | KAWNEER FINISH NO. | COLOR | ALUMINUM ASSOCIATION SPECIFICATION | OTHER COMMENTS |
|---|--------------------|---------------|------------------------------------|--|
|  | #14 | CLEAR | AA-M10C21A41 / AA-M45C22A41 | Architectural Class I (.7 mils minimum) |
|  | #17 | CLEAR | AA-M10C21A31 | Architectural Class II (.4 mils minimum) |
|  | #18 | CHAMPAGNE | AA-M10C21A44 | Architectural Class I (.7 mils minimum) |
|  | #26 | LIGHT BRONZE | AA-M10C21A44 | Architectural Class I (.7 mils minimum) |
|  | #28 | MEDIUM BRONZE | AA-M10C21A44 | Architectural Class I (.7 mils minimum) |
|  | #40 | DARK BRONZE | AA-M10C21A44 / AA-M45C22A44 | Architectural Class I (.7 mils minimum) |
|  | #29 | BLACK | AA-M10C21A44 | Architectural Class I (.7 mils minimum) |