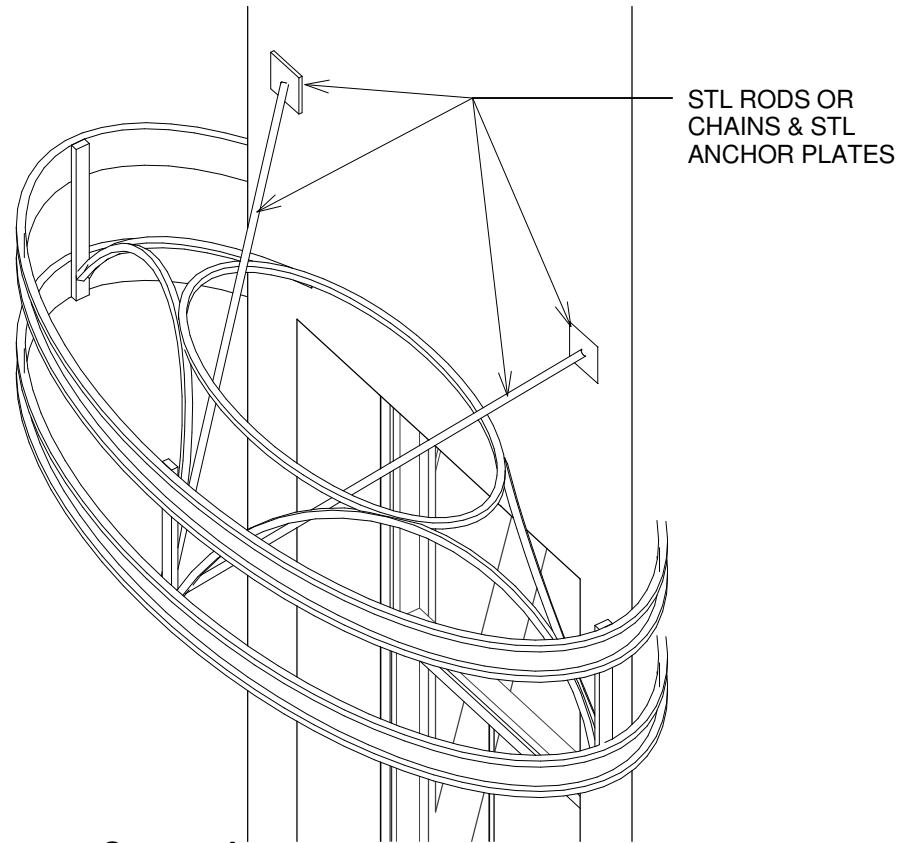
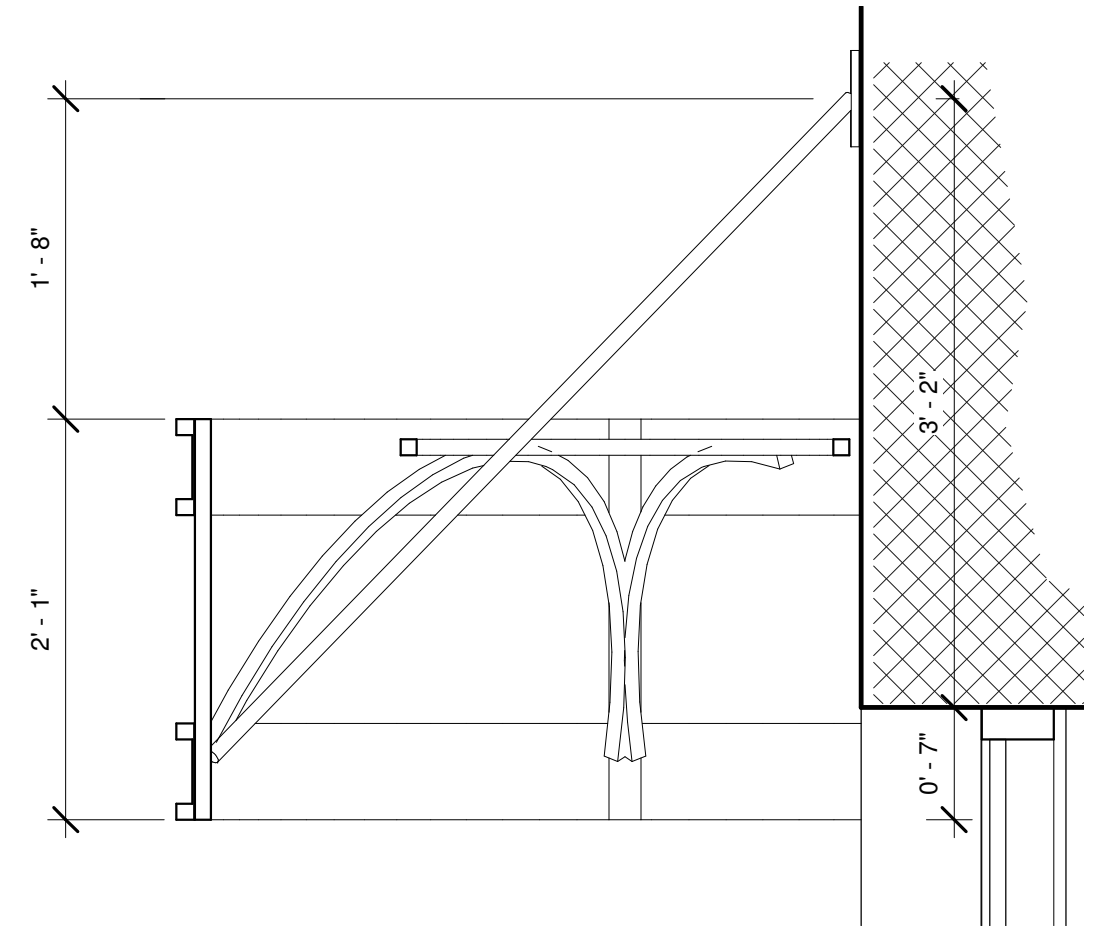


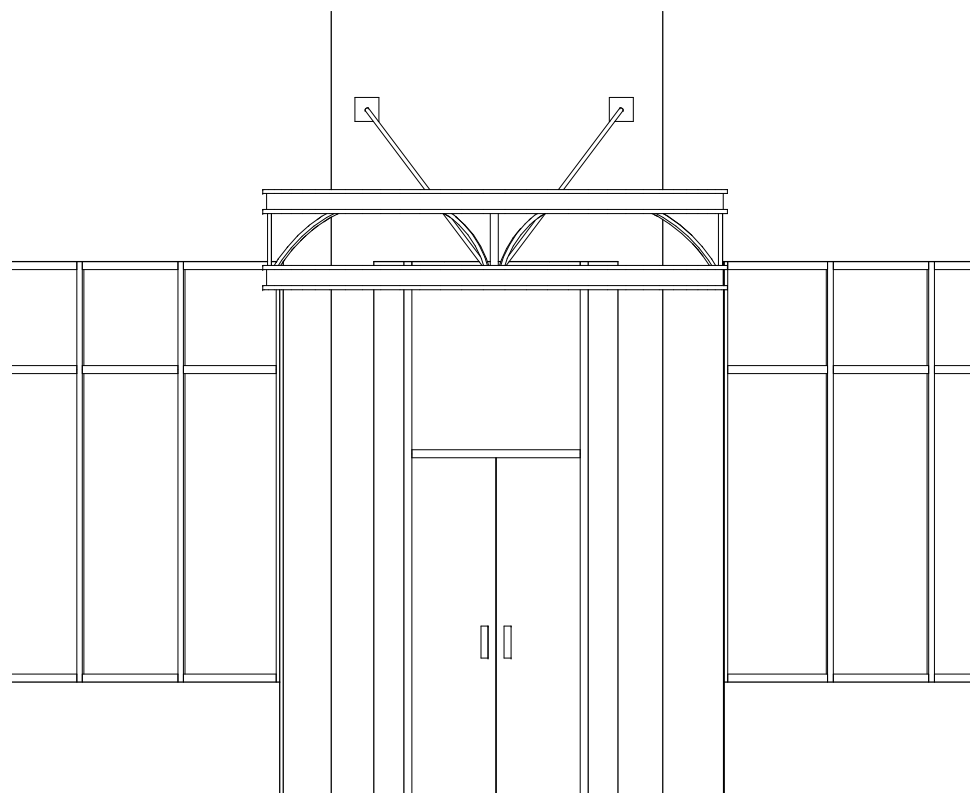
1 Canopy Plan
1/4" = 1'-0"



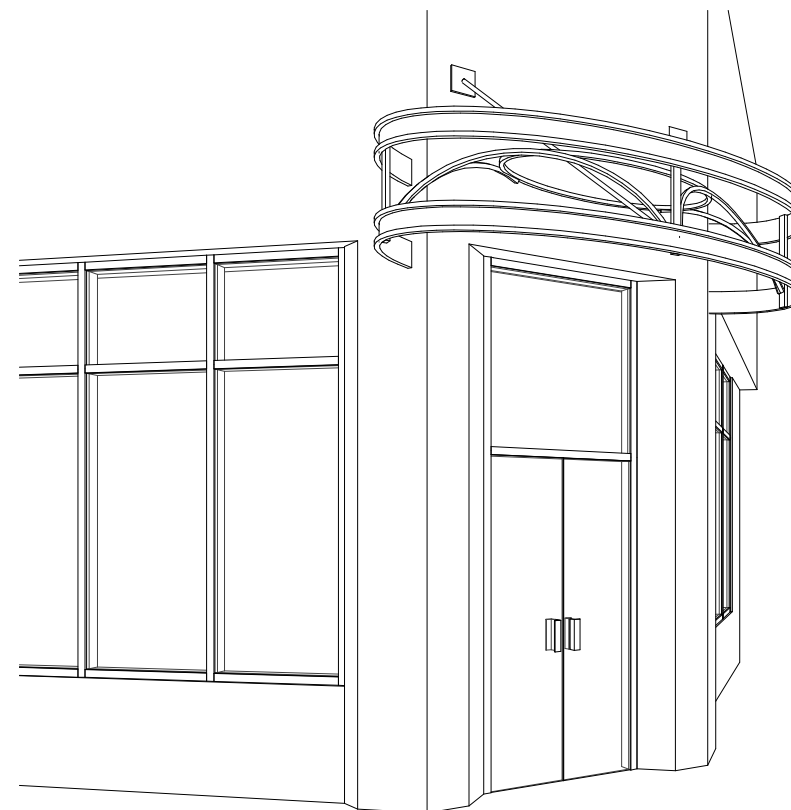
4 Canopy Axon



5 Section 1
1" = 1'-0"



2 Northwest Elevation
1/4" = 1'-0"



3 3D View 1

SoHi Entry Canopy

Project number 200637
Date 3/16/2010
Drawn by American Design

A102

Scale As indicated