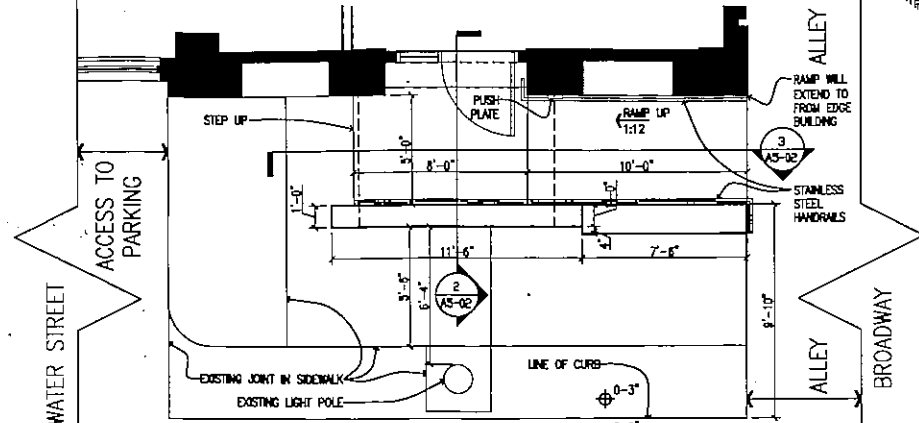
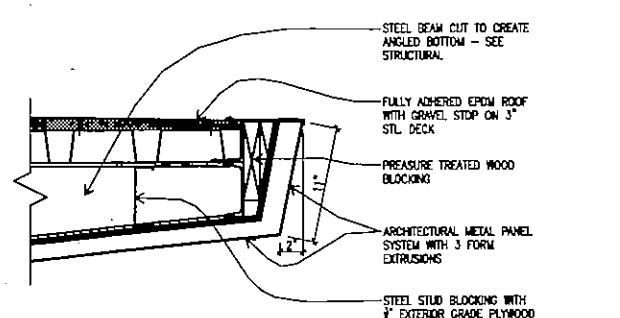


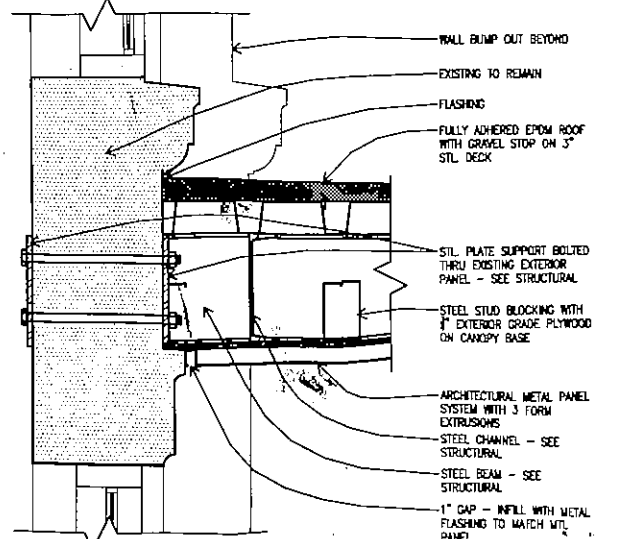
9 PARTIAL PLAN @ TOP OF AWNING - CHICAGO STREET  
1/4"=1'-0"



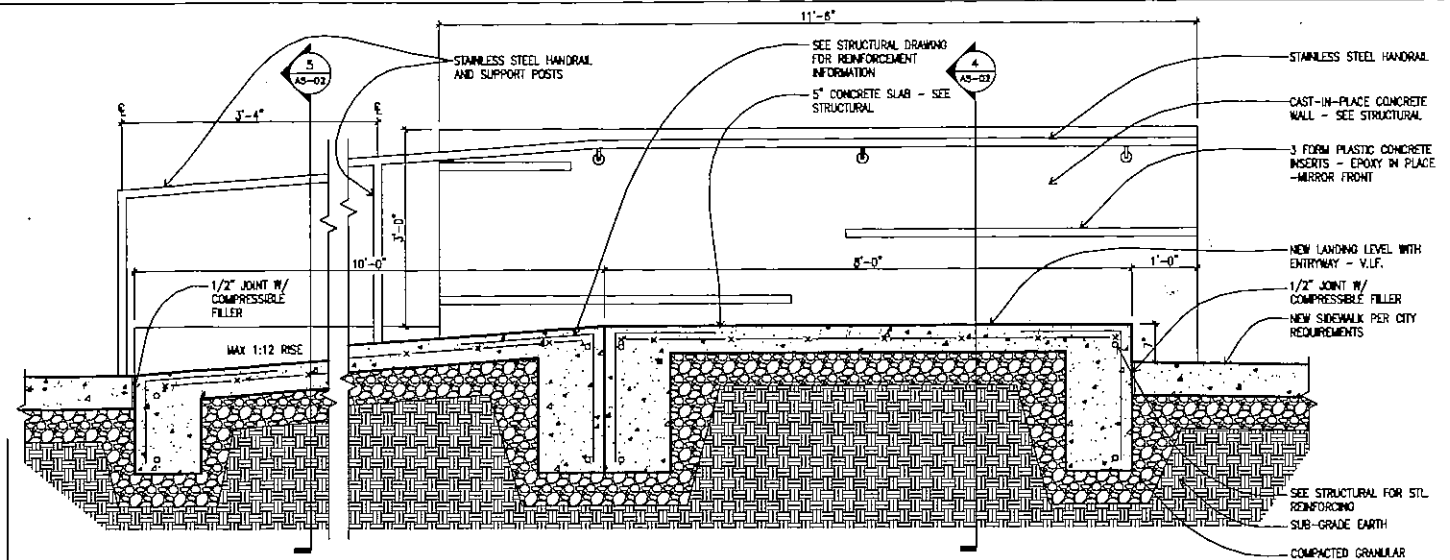
8 PARTIAL PLAN @ ENTRY RAMP - CHICAGO STREET  
1/4"=1'-0"



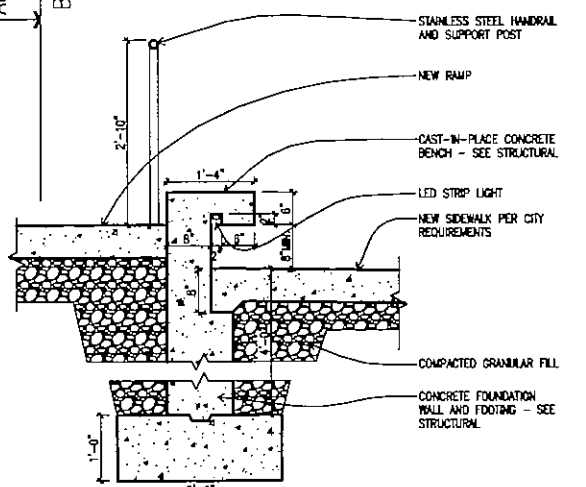
7 DETAIL @ CANOPY  
1 1/2"=1'-0"



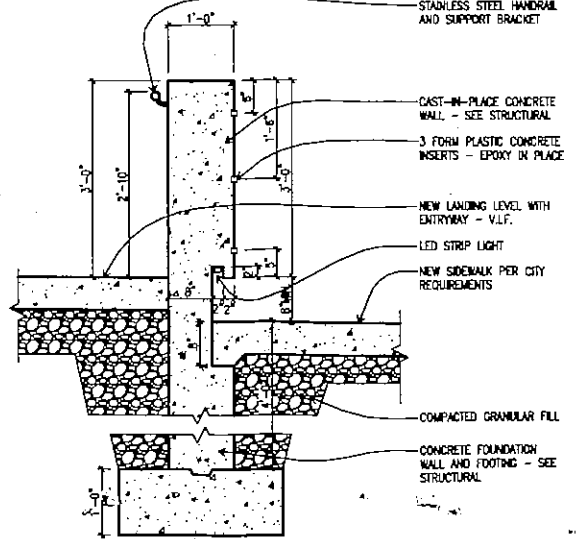
6 DETAIL @ CANOPY  
1 1/2"=1'-0"



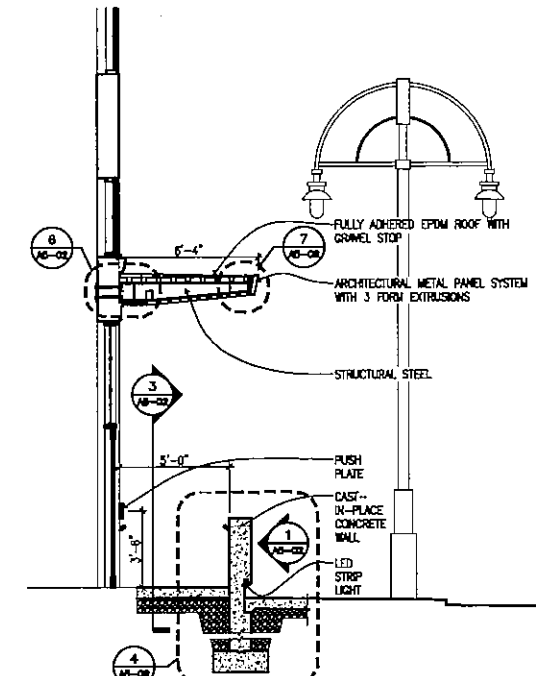
3 SECTION @ RAMP LANDING  
3/4"=1'-0"



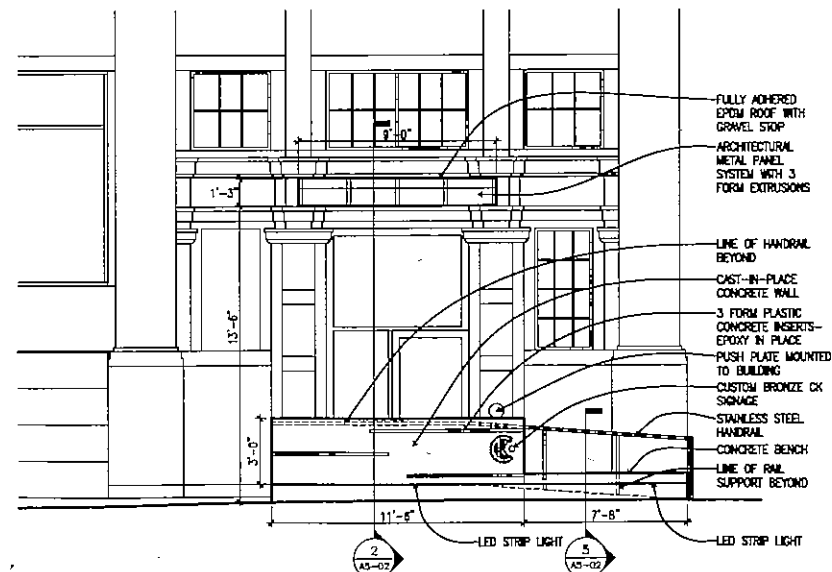
5 DETAIL @ RAMP LANDING  
3/4"=1'-0"



4 DETAIL @ RAMP LANDING  
3/4"=1'-0"



2 WALL SECTION @ ENTRY CANOPY  
1/4"=1'-0"



1 ELEVATION @ RAMP/AWNING  
1/4"=1'-0"

REV 1 - MARCH 20, 2008

GMP PRICING SET  
BASE, CORE & SHELL

Drawing Date  
MARCH 14, 2008

Cramer-Krasselt  
Milwaukee Offices

224 Chicago Street  
Milwaukee, WI 53203

Project No.  
207120.00

Sheet Title  
ENTRY CANOPY  
DETAILS, ELEVATION  
& SECTION

Copyright Kahler Slater Architects, Inc. 2007  
111 West Wisconsin Avenue, Milwaukee, Wisconsin 53203  
Telephone 414.272.2600 Fax 414.272.2601  
110 King Street, Madison, Wisconsin 53703  
Telephone 608.283.6300 Fax 608.283.6319

Sheet No.  
A5-02