

Milwaukee City Clerk  
200 East Wells Street  
Room 205  
Milwaukee WI 53202

Dear Clerk:

RE: C.I. File No: 04-S-242

I disagree with your decision on my claim against the City of Milwaukee.

I was not notified by the City of Milwaukee that repairs had been considered completed as of September 29, 2003. Nor did I think it was my responsibility to make sure city crew workers complete their job. Although, if I had of been notified, I would have informed the city that this area around and below the meter needed to be filled in and reseeded.

Since it took from 8/2002 to 9/2003 before a crew showed up to replace the curb, I was under the impression that the City of Milwaukee was just slow in doing the repairs. By 2003, much erosion had taken place and merely placing top soil on that eroded area was not sufficient. The ground from the water pipe to the curb had eroded by almost 3 inches since 2002. Therefore I am not satisfied with your decision.

I have enclosed pictures of this area that show the pipe sticking almost 2 ½ inches up out of the ground, surrounded by severe erosion. The City of Milwaukee is responsible for \$315.74 lawn mower that was destroyed.

Sincerely,

  
Cynthia Barbosa

CITY OF MILWAUKEE  
2005 JAN -5 PM 1:14  
RONALD J. LEONHARDT  
CITY CLERK

CITY ATTORNEY  
OFFICE OF

CITY OF MILWAUKEE

CITY OF MILWAUKEE  
RECEIVED

'04 JUL 26 PM 4: 32

CITY ATTORNEY

July 23, 2004

City Hall  
Office of City Clerk, Room 205  
Attention: **Claims**  
200 East Wells Street  
Milwaukee WI 53202

Dear City Clerk

On June 5, 2004, my 15 year old grandson was mowing the lawn when the mower stuck the **water meter** that was extended some 2 inches above ground level. My grandson is very familiar with the lawn and this mower. The \$299 lawn mower is total destroyed. The impact caused the lawn mower to vibrate tremendously which caused the motor to break away from the base.

There had been a water main break at my home at, 4735 n 18<sup>th</sup> Street Milwaukee WI, 2 years prior to this incident. Restoration by the city took up unto the fall of 2003; a very long time. When the city did finally finished the work, by building a new curb, they failed to build up the ground around the water meter area leaving it exposed 2 inches above ground.

As you can see from the copy of the enclosed receipt, I had just purchased this mower in the fall of 2001. My mower can not be repaired and I cannot afford a significance lost as this. Therefore I am requesting replacement of my mower.

I can be reached at 414-221-3276 weekdays from 9:00 a.m. until 6:00 p.m. Weekends and evenings I can be reached at 414-374-2715.

Sincerely,



Cynthia Barbosa  
4735 North 18<sup>th</sup> Street  
Milwaukee WI 53209

CITY OF MILWAUKEE  
2004 JUL 26 PM 4:32  
RONALD  
CITY CLERK

**THE HOME DEPOT 4912**  
4155 NORTH PORT WASHINGTON ROAD  
MILWAUKEE, WI 53212 (414)263-1291

SALE 4912 00021 74324 09/01/01  
22 312 10:38 AM



143901 MOWER		299.00
299.00	TAX WI 5.600	16.74
	TOTAL	\$315.74
	CASH	315.74



4912 21 74324 09/01/2001 1043

SHOP ONLINE! AT [WWW.HOMEDEPOT.COM](http://WWW.HOMEDEPOT.COM)  
THANK YOU FOR SHOPPING THE HOME DEPOT  
RECEIPT REQUIRED FOR REFUND



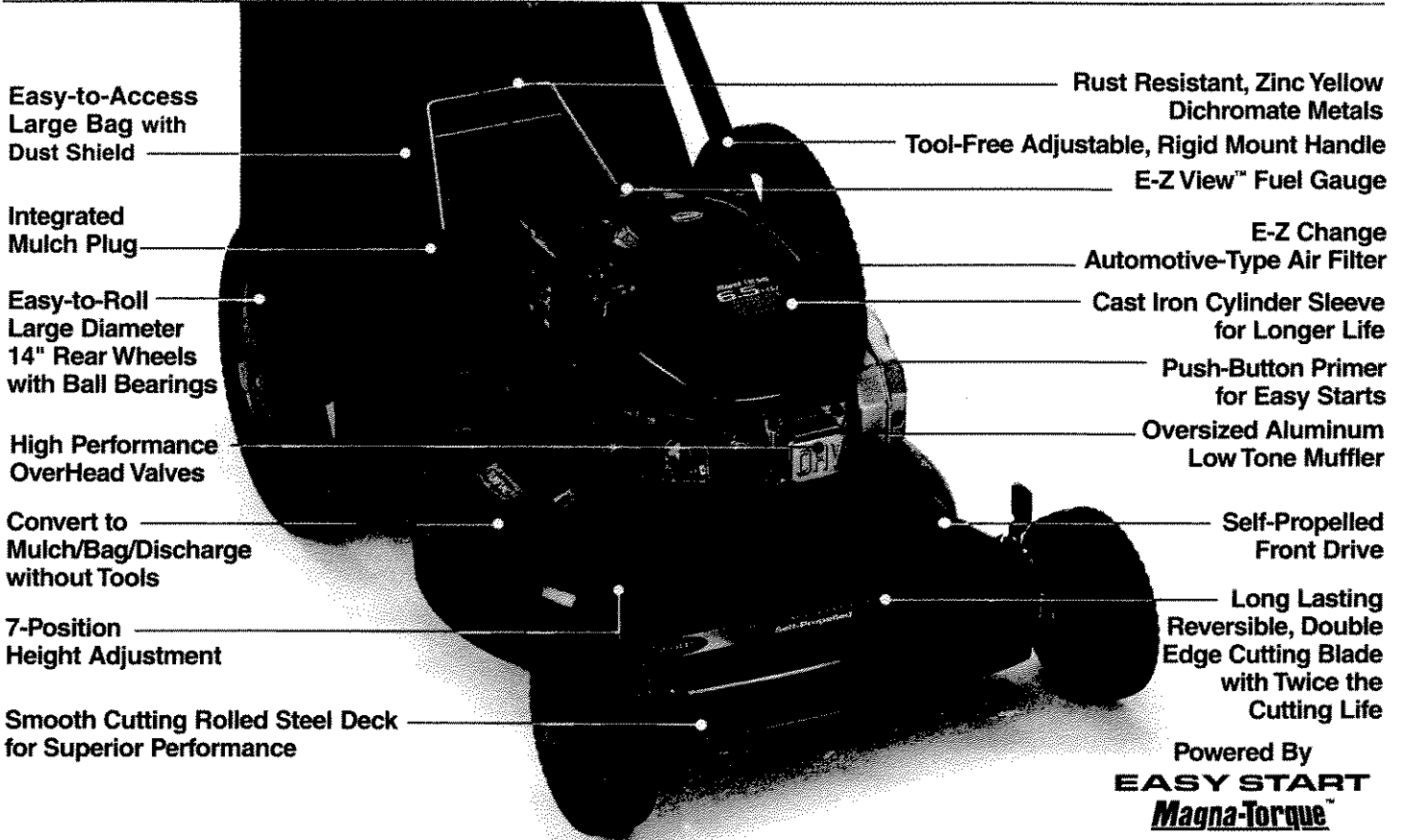
# Power Lawn Equipment

## 22" Rear-Bagging Mower

**3-in-1 Convertible-Mulch/Bag/Discharge**  
**High-Wheel, Self-Propelled Front Drive**  
**6.5hp OHV Engine**

**21**  
Product No.

**sku # 597-506**



Easy-to-Access Large Bag with Dust Shield

Integrated Mulch Plug

Easy-to-Roll Large Diameter 14" Rear Wheels with Ball Bearings

High Performance OverHead Valves

Convert to Mulch/Bag/Discharge without Tools

7-Position Height Adjustment

Smooth Cutting Rolled Steel Deck for Superior Performance

Rust Resistant, Zinc Yellow Dichromate Metals

Tool-Free Adjustable, Rigid Mount Handle

E-Z View™ Fuel Gauge

E-Z Change Automotive-Type Air Filter

Cast Iron Cylinder Sleeve for Longer Life

Push-Button Primer for Easy Starts

Oversized Aluminum Low Tone Muffler

Self-Propelled Front Drive

Long Lasting Reversible, Double Edge Cutting Blade with Twice the Cutting Life

Powered By **EASY START** Magna-Torque™

**6.5HP 22" 3-in-1 SELF PROPEL MOWER**

MURRAY, INC.  
MODEL # 229630x8

597-506

**\$299<sup>00</sup>** ea

**SPECIAL FINANCING**  
\*On your Home Depot Consumer Charge Card See an Employee for Details

**ONLY \$13 PER MONTH**

**Free Buyer's Guides... Ask Your Lawn and Garden Expert!**  
Customer Service Hotline: 1-800-646-8442

we energies



231 W. Michigan St.  
Milwaukee, WI 53202

JUL

23

2004



City Hall  
Office of City Clerk, Room 205  
Attention: **Claims**  
200 East Wells Street  
Milwaukee WI 53202

Meter after repair with severely eroded curb side ground.

