



Certificate of Appropriateness

Milwaukee Historic Preservation Commission/200 E. Wells Street/Milwaukee, WI 53202/phone 414-286-5712/fax 414-286-3004

Property	1009-1011 N 33rd Street	
Description of work	Concrete walkway, brick knee wall, and metal railing replacement.	
Date issued	10/15/2021	PTS ID N/A

In accordance with the provisions of Section 320-21 (11) and (12) of the Milwaukee Code of Ordinances, the Milwaukee Historic Preservation Commission has issued a certificate of appropriateness for the work listed above. The work was found to be consistent with preservation guidelines. The following conditions apply to this certificate of appropriateness:

Replacement railing must be a metal rail approved by HPC or an old-fashioned bulb-joint style pipe rail.

Secondary set of stairs leading to the street must be replaced with 36" wide stairs and be accompanied by a new railing. A replacement railing would need to meet the same design standards described above.

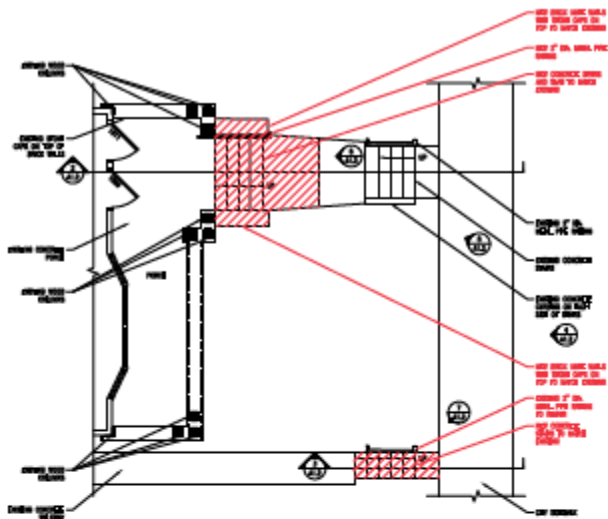
All work must be done in a craftsman-like manner, and must be completed within one year of the date this certificate was issued. Staff must approve any changes or additions to this certificate before work begins. Work that is not completed in accordance with this certificate may be subject to correction orders or citations. If you require technical assistance, please contact Historic Preservation staff as follows: Phone: (414) 286-5712 E-mail: hpc@milwaukee.gov.

If permits are required, you are responsible for obtaining them from the Milwaukee Development Center. If you have questions about permit requirements, please consult the Development Center's web site, www.milwaukee.gov/permits, or call (414) 286-8210.

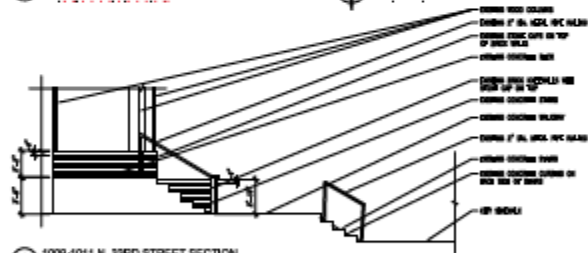
Jacqueline Drayer

City of Milwaukee Historic Preservation

Copies to: Development Center, Ald. R. Bauman



1 1009-1011 N 33RD STREET
FLOOR PLAN
SCALE: 1/4" = 1'-0"



2 1009-1011 N 33RD STREET SECTION
SCALE: 1/4" = 1'-0"



3 1009-1011 N 33RD STREET SECTION
SCALE: 1/4" = 1'-0"



4 PHOTO FROM STREET
SCALE: 1/4" = 1'-0"



5 PHOTO FROM SIDEWALK
SCALE: 1/4" = 1'-0"



6 PHOTO FROM WALK
SCALE: 1/4" = 1'-0"



7 PHOTO FROM SIDEWALK
SCALE: 1/4" = 1'-0"

