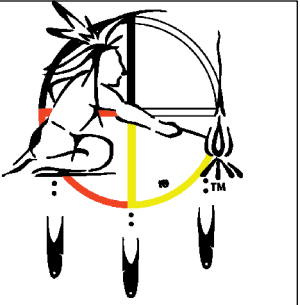


**Quorum Architects, Inc.**  
 3112 West Highland Boulevard  
 Milwaukee, Wisconsin 53208  
 Phone: 414.265.9265  
 Fax: 414.265.9465  
 www.quorumarchitects.com



**FOREST COUNTY  
 POTAWATOMI**  
 Keeper of the Fire

**PRELIMINARY**  
 NOT FOR  
 CONSTRUCTION  
 QUORUM ARCHITECTS, INC.

**WGEMA CAMPAS PLAYGROUND**

3215 W. State Street  
 Milwaukee, Wisconsin 53208

Revisions:

Sheet Name:  
 LANDSCAPE PLAN

Date: 4/20/2017

Drawn By: CGH/JC

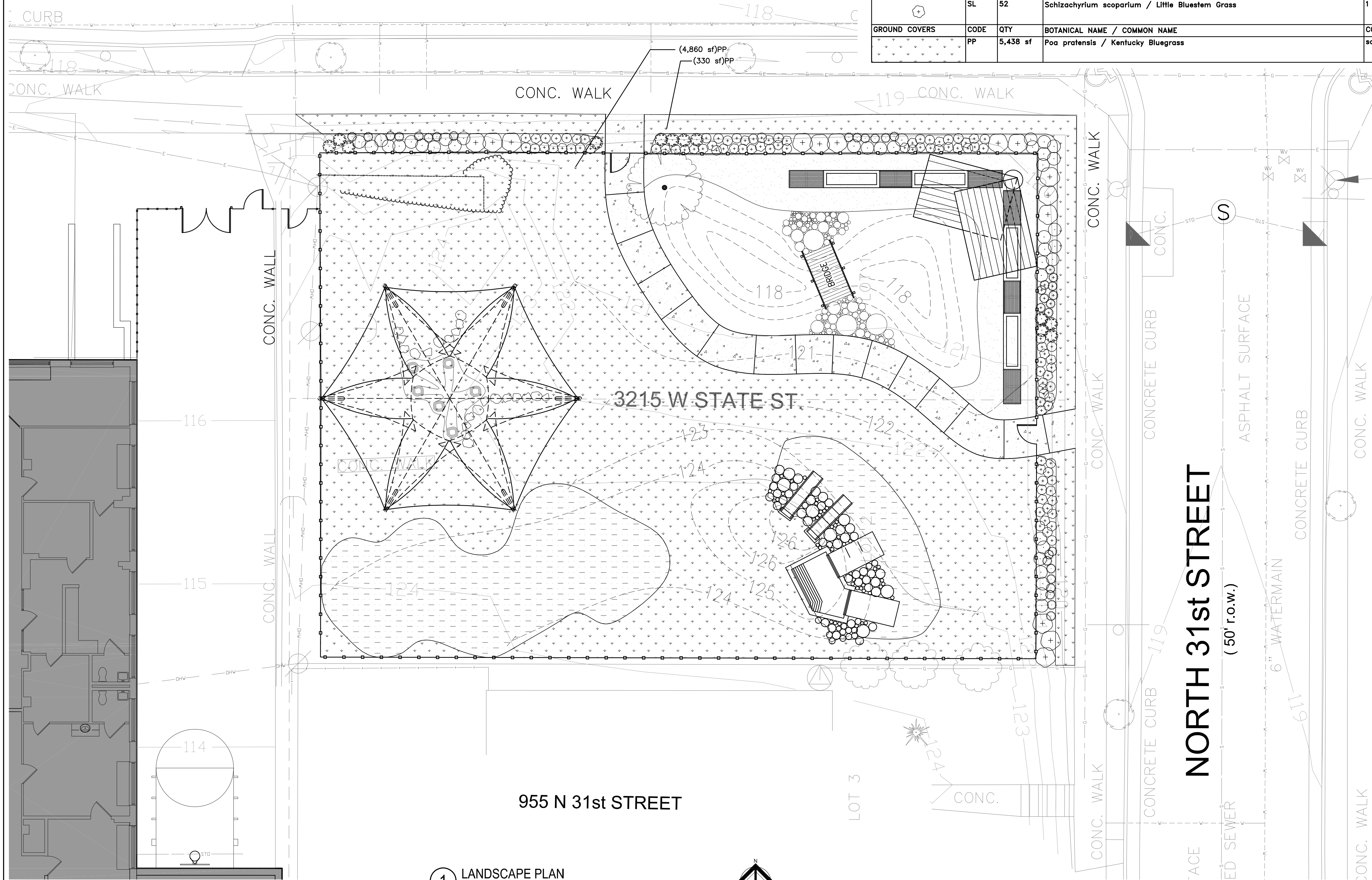
Project No.: 15017.06.02

Sheet No.

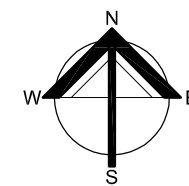
**L1.1**

**PLANT SCHEDULE WGEMA PLAYGROUND**

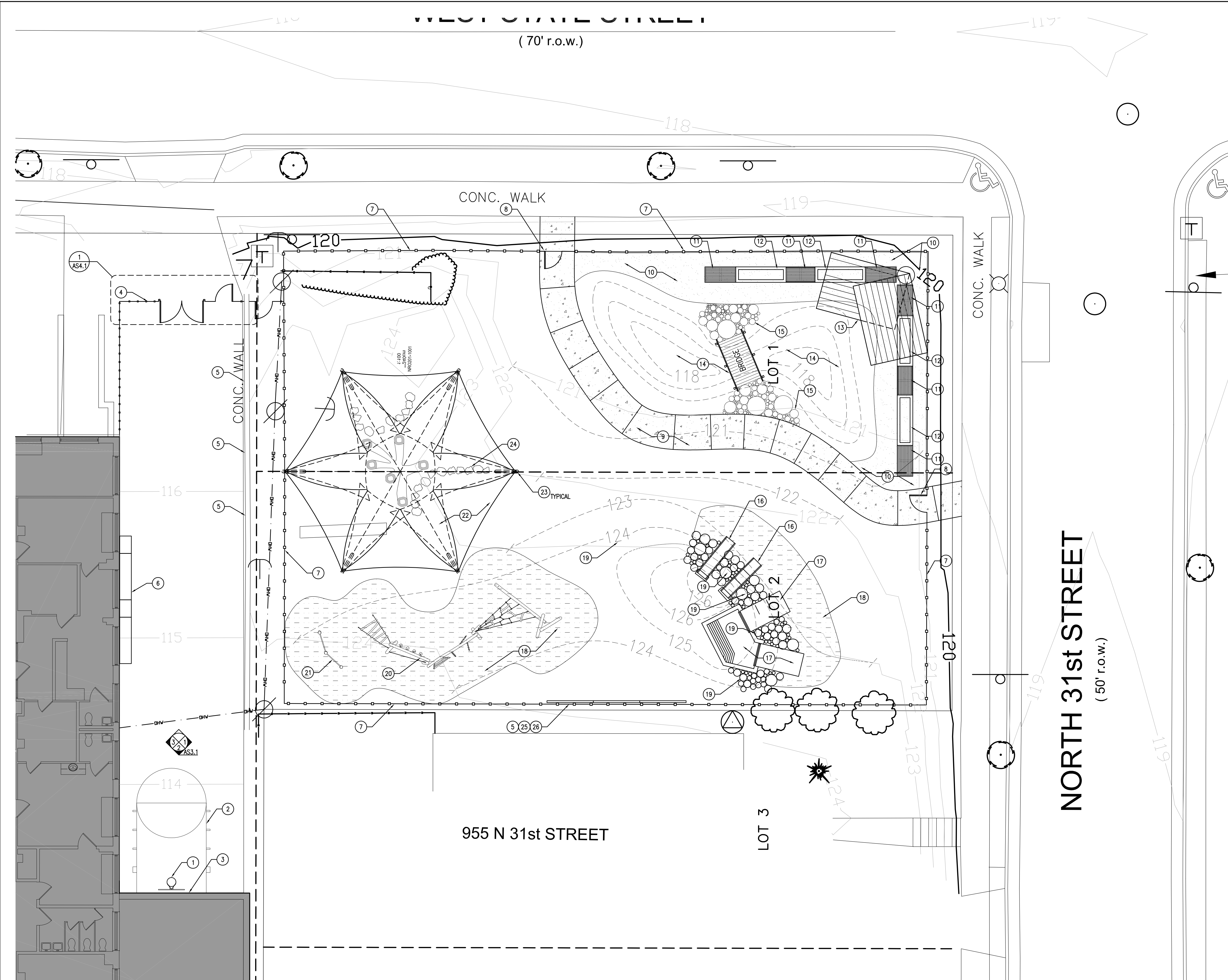
TREES	CODE	QTY	BOTANICAL NAME / COMMON NAME	CONT	CAL	FORM	REMARKS	
	CF	1	<i>Cercis canadensis</i> 'Forest Pansy'™ / Forest Pansy Redbud	7 gal. min or B&B	1.5"-2.0"	single stem		
SHRUBS	CODE	QTY	BOTANICAL NAME / COMMON NAME	CONT	HEIGHT	SPREAD	SPACING	REMARKS
	FG	14	<i>Fothergilla gardenii</i> / Dwarf Fothergilla	5 gal	3'	3'	36" o.c.	
	WM	12	<i>Weigela florida</i> 'Sunset' / My Monet 'Sunset' Weigela	2 gal.	15"-18"	18"	24" o.c.	
ANNUALS/PERENNIALS	CODE	QTY	BOTANICAL NAME / COMMON NAME	CONT	HEIGHT	SPREAD	SPACING	REMARKS
	CN	10	<i>Calamintha nepeta</i> 'Montrose White' / White Catmint	2 qt min	18"-24"	18-24"	18" o.c.	
	PS	23	<i>Polemonium reptans</i> 'Stairway to Heaven' / Stairway to Heaven Jacobs Ladder	1 qt	12"-15"	18"	18" o.c.	
	RH	43	<i>Rudbeckia hirta</i> / Black-eyed Susan	1 gal	24"	12"	18" o.c.	
GRASSES	CODE	QTY	BOTANICAL NAME / COMMON NAME	CONT	HEIGHT	SPREAD	SPACING	REMARKS
	SH	37	<i>Sporobolus heterolepis</i> / Prairie Dropseed	1 gal	18"-24"	18-24"	24" o.c.	
	SL	52	<i>Schizachyrium scoparium</i> / Little Bluestem Grass	1 gal	36"	18"	18" o.c.	
GROUND COVERS	CODE	QTY	BOTANICAL NAME / COMMON NAME	CONT	HEIGHT	SPREAD	SPACING	REMARKS
	PP	5,438 sf	<i>Poa pratensis</i> / Kentucky Bluegrass	sod				



**1** LANDSCAPE PLAN  
 SCALE: 1/8" = 1'-0"



Apr 21, 2017 - 4:56pm  
 O:\15 Projects\15014-00 Wgema Campus\15014-06-02 Playground\CADs\15014-06-02-AS1-1.dwg



**1 ARCHITECTURAL SITE PLAN**  
 SCALE: 1/8" = 1'-0"

**GENERAL NOTES**

1. DO NOT SCALE DRAWINGS. USE WRITTEN DIMENSIONS ONLY. IF CLARIFICATION OR ADDITIONAL DIMENSIONS ARE REQUIRED THE CONTRACTOR SHOULD VERIFY WITH QUORUM ARCHITECTS.
2. GENERAL CONTRACTOR SHALL VERIFY ALL CONDITIONS AND DIMENSIONS AT THE JOB SITE AND REPORT ANY DISCREPANCIES AND/OR UNUSUAL CONDITIONS TO QUORUM ARCHITECTS PRIOR TO COMMENCEMENT OF ANY CONSTRUCTION. NO ALLOWANCES WILL BE MADE DUE TO THE CONTRACTORS UNFAMILIARITY WITH THE JOB SITE CONDITIONS.
3. DIMENSIONS FROM FINISH FACE TO FINISH FACE, UNLESS OTHERWISE NOTED. MAINTAIN DIMENSIONS MARKED "CLEAR" OR "HOLD". ALLOW FOR THICKNESS OF FINISHES.
4. CONTRACTORS SHALL SUBMIT (4) SETS OF SHOP DRAWINGS, SAMPLES, EXTERIOR FINISHES, RELEVANT TECHNICAL DATA AND APPLICABLE CUT SHEETS TO THE ARCHITECTS FOR REVIEW PRIOR TO THE COMMENCEMENT OF WORK.
5. THE GENERAL CONTRACTOR AND ALL SUB-CONTRACTORS SHALL OBTAIN A COPY OF ANY CITY, STATE OR FEDERAL CODES OR REGULATIONS WHICH HAVE JURISDICTION OVER THIS WORK AND AS CALLED OUT IN THESE PLANS. NO ALLOWANCES WILL BE MADE DUE TO THE CONTRACTOR'S UNFAMILIARITY WITH THESE REGULATIONS AND CODES.
6. ALL WORK SHALL COMPLY WITH APPLICABLE LOCAL, STATE AND FEDERAL CODES, LAWS, ORDINANCES, RULES AND REGULATIONS OF PUBLIC AUTHORITIES GOVERNING THE WORK.
7. ALL CONTRACTORS SHALL SECURE AND PAY FOR ALL REQUIRED APPROVALS, PERMITS, FEES AND LICENSES AS IT APPLIES TO HIS/HER DISCIPLINE PRIOR TO ANY EXECUTION OF WORK.
8. ALL WORK IS TO BE COMPLETED USING ACCEPTABLE CONSTRUCTION PRACTICES AND QUALITY MATERIALS. IF QUESTIONS ARISE AS TO THE SPECIFIC MATERIALS TO BE USED, THE CONTRACTOR MAY PRESENT SUBSTITUTIONS TO THE OWNER AND ARCHITECT FOR THEIR REVIEW AND APPROVAL. ANY SUBSTITUTIONS MUST BE APPROVED BY THE OWNER AND ARCHITECT.
9. WORK INVOLVING SHUTDOWN ON ANY PRESENTLY OPERATING SERVICES SHALL BE DONE AT SUCH A TIME THAT WILL MINIMIZE ANY INCONVENIENCE TO THE OWNER AND TENANTS. THIS CONTRACTOR WILL BE REQUIRED TO DO SUCH WORK AS DIRECTED BY AND VERIFIED WITH OWNER.
10. EACH CONTRACTOR IS RESPONSIBLE FOR PATCHING AND REPAIRING ANY CONSTRUCTION OR DAMAGE THAT RESULTS FROM THEIR CONTRACTED PORTION OR TRADE. PROVIDE A "LIKE NEW FINISH" AS REQUIRED.
11. EACH CONTRACTOR SHALL PROVIDE ADEQUATE, NECESSARY AND REQUIRED BARRICADES, FENCES AND SAFETY PRECAUTIONS FOR THE GENERAL PUBLIC'S SAFETY NEAR THE SITE. GENERAL CONTRACTOR SHALL PROVIDE ANY AND ALL TEMPORARY BARRICADES AND DUST BARRIERS AS REQUESTED BY THE OWNER.

**SITE GENERAL NOTES**

1. CUT SOIL FROM NORTHEAST CORNER TO CREATE RAIN GARDEN. FILL SOUTHWEST AND SOUTH SIDE OF SITE TO BALANCE SITE.

**SITE CONSTRUCTION NOTES**

1. ADJUSTABLE HEIGHT BASKETBALL GOAL "GOALSETTER CS60 WALL-MOUNT 60" GOAL, ACRYLIC BACKBOARD WITH BREAKAWAY RIM ATTACHED TO EXISTING BRICK WALL. FASTEN AT MORTAR JOINTS ONLY - DO NOT FASTEN THRU BRICK. SEE 1/AS5.1
2. PAINTED BASKETBALL COURT LAYOUT. EXTERIOR TRAFFIC STRIPING PAINT ON EXISTING CONCRETE.
3. EXPANDED GALVANIZED METAL MESH GRILLE IN EXISTING STOREFRONT TO PROTECT EXISTING STOREFRONT FROM BALL PLAY.
4. FENCE AND GATE - SEE AS4.1.
5. NEW WALL MOUNTED ART BOARDS (BLACKBOARD OR WHITEBOARD). SEE 2/AS5.1.
6. WOOD BENCH SEATING. SEE 2/AS5.1.
7. PERIMETER FENCE. SEE SHEET AS4.1.
8. GATE WITH CARD READER.
9. 4" CONCRETE SIDEWALK OVER PREPARED SUBGRADE.
10. 4" COMPACTED RAVEN SAND OVER 4" COMPACTED TRAFFIC BOND OVER WEED BARRIER OVER PREPARED SUBGRADE.
11. WOOD BENCH. SEE SHEET AS4.2 AND IMAGE 7/AS5.1.
12. RAISED WOOD PLANTERS. SEE SHEET AS4.2 AND IMAGE 6/AS5.1.
13. BUTTERFLY PERGOLA WITH SLOPED ROOFS TO RAIN BARREL. SEE 21 & 22/AS5.1.
14. WOOD BRIDGE OVER NATIVE RAINGARDEN. SEE DETAIL 1/AS4.2 AND IMAGE 10/AS5.1.
15. CEDAR TREE COOKIE PAVERS, SET INTO COMPACTED LIMESTONE FINES AND HELD INTO PLACE BY "SAKRETE PermaSand" POLYMER JOINTING SAND. SEE IMAGE 13, 14 & 15 /AS5.1.
16. TODDLER HILL SLIDE STRUCTURE. COMPONENTS FOR LOW SLIDE ONTO EARTHEN HILL. SEE DETAIL 2/AS4.2 AND IMAGE 5/AS5.1.
17. 3'-0" DIAMETER CONCRETE CULVERT INTO EARTHEN HILL. SEE DETAIL 3/AS4.2 AND IMAGE 8 & 9 /AS5.1.
18. FALL ZONE - BASE BID: WET Poured Toweled, SINGLE LAYER EPDM & ALIPHATIC OR AROMATIC URETHANE, RECYCLED RUBBER PLAY SURFACE. ALTERNATE BID: BONDED RUBBER MULCH SEE IMAGE 20/AS5.1.
19. STUMP CLIMBERS BUILT INTO EARTHEN HILL. SEE IMAGE 5/AS5.1.
20. WOODEN AGILITY COURSE - KOMPAN MODEL "NR0854-PARKOUR 004" OR EQUAL. SEE IMAGE 16 & 17 /AS5.1.
21. WOODEN AGILITY BAR - KOMPAN MODEL "NR0808 DOUBLE SOMERSAULT" OR EQUAL. SEE IMAGE 18 & 19 /AS5.1.
22. OUTDOOR FABRIC SAILS SUNSHADE CONNECTED TO EXISTING TREE. KOMPAN MODEL "R0000004" OR EQUAL. TREE TO BE CUT AT 14'-0" ABOVE FINISHED GRADE. SEE IMAGE 11 & 12/ AS5.1.
23. WOOD POST FOR SUNSHADE. KOMPAN MODEL "R0000001" OR EQUAL.
24. BOULDERS FOR SEATING. SEE IMAGE 23/AS5.1.
25. CHIME PLAY SET, SEE IMAGE 3/AS5.1.
26. BELL PLAY SET, SEE IMAGE 4/AS5.1.



**PRELIMINARY**  
 NOT FOR CONSTRUCTION  
 QUORUM ARCHITECTS, INC.

**WGEMA CAMPAS PLAYGROUND**  
 3215 W. State Street  
 Milwaukee, Wisconsin 53208

Revisions:

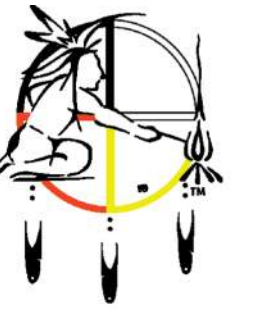
Sheet Name:  
 ARCHITECTURAL SITE PLAN

Date: 4/20/2017  
 Drawn By: CGH/JC  
 Project No.: 15017.06.02  
 Sheet No.

**AS1.1**



**Quorum Architects, Inc.**  
 3112 West Highland Boulevard  
 Milwaukee, Wisconsin 53208  
 Phone: 414.265.9265  
 Fax: 414.265.9465  
 www.quorumarchitects.com



**FOREST COUNTY  
 POTAWATOMI**  
 Keeper of the Fire

**PRELIMINARY**  
 NOT FOR  
 CONSTRUCTION  
 QUORUM ARCHITECTS, INC.

**WGEMA CAMPAS PLAYGROUND**

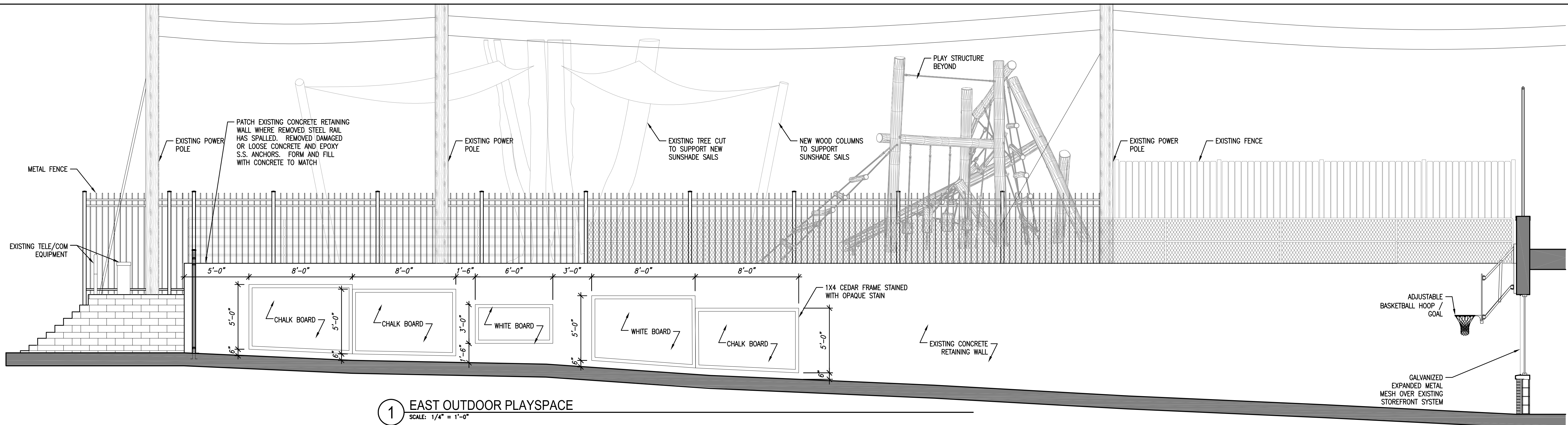
3215 W. State Street  
 Milwaukee, Wisconsin 53208

Revisions:

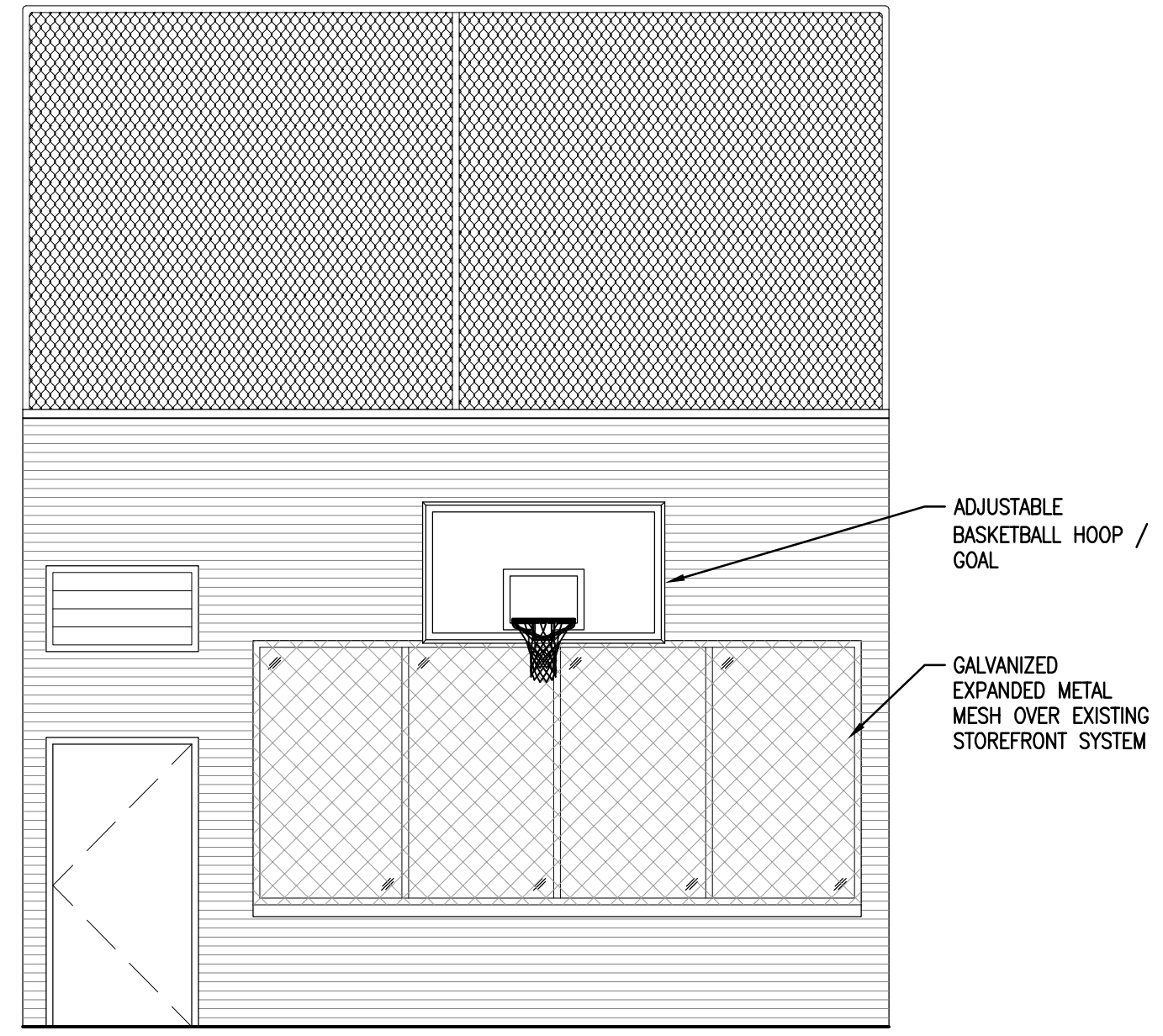
Sheet Name:  
 EXTERIOR ELEVATIONS

Date: 4/20/2017  
 Drawn By: JPB/JC/CLR  
 Project No.: 15017.06.02

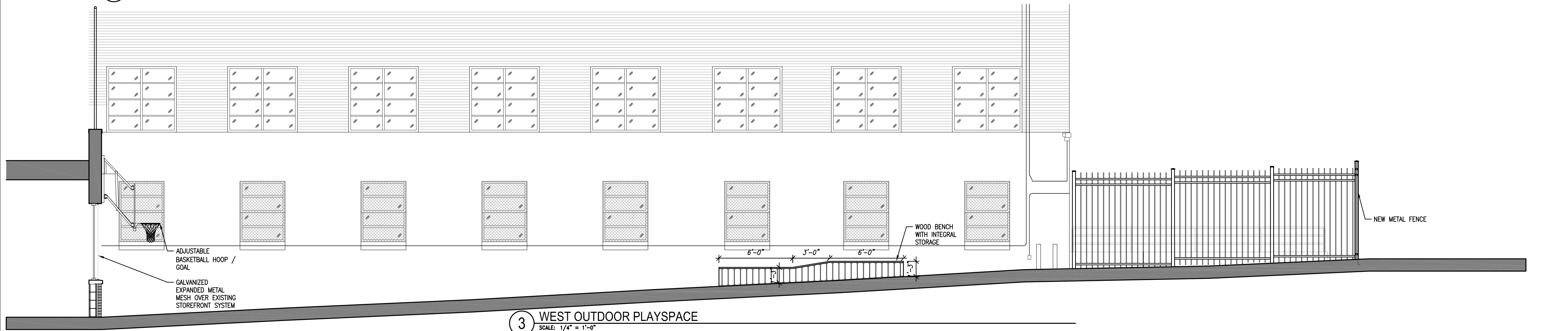
Sheet No.  
**AS3.1**



**1 EAST OUTDOOR PLAYSACE**  
 SCALE: 1/4" = 1'-0"

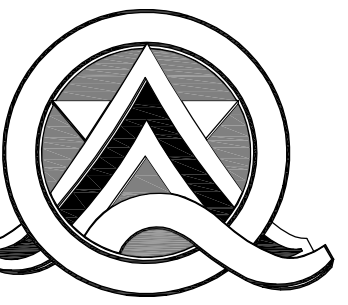


**2 SOUTH OUTDOOR PLAYSACE**  
 SCALE: 1/4" = 1'-0"

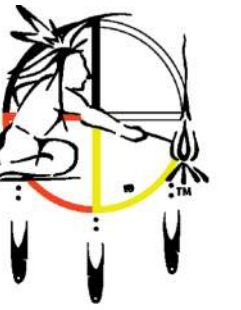


**3 WEST OUTDOOR PLAYSACE**  
 SCALE: 1/4" = 1'-0"

Apr 21, 2017 - 4:49pm  
 O:\15 Projects\15014-00 Wgema Campus\15014-06-02 Playground\CADs\15014-06-02\_AS3-1.dwg  
 Copyright 2017, Quorum Architects, Inc.



**Quorum Architects, Inc.**  
 3112 West Highland Boulevard  
 Milwaukee, Wisconsin 53208  
 Phone: 414.265.9265  
 Fax: 414.265.9465  
 www.quorumarchitects.com



**FOREST COUNTY  
 POTAWATOMI**  
*Keeper of the Fire*

**PRELIMINARY**  
 NOT FOR  
 CONSTRUCTION  
 QUORUM ARCHITECTS, INC.

**WGEMA CAMPAS PLAYGROUND**

3215 W. State Street  
 Milwaukee, Wisconsin 53208

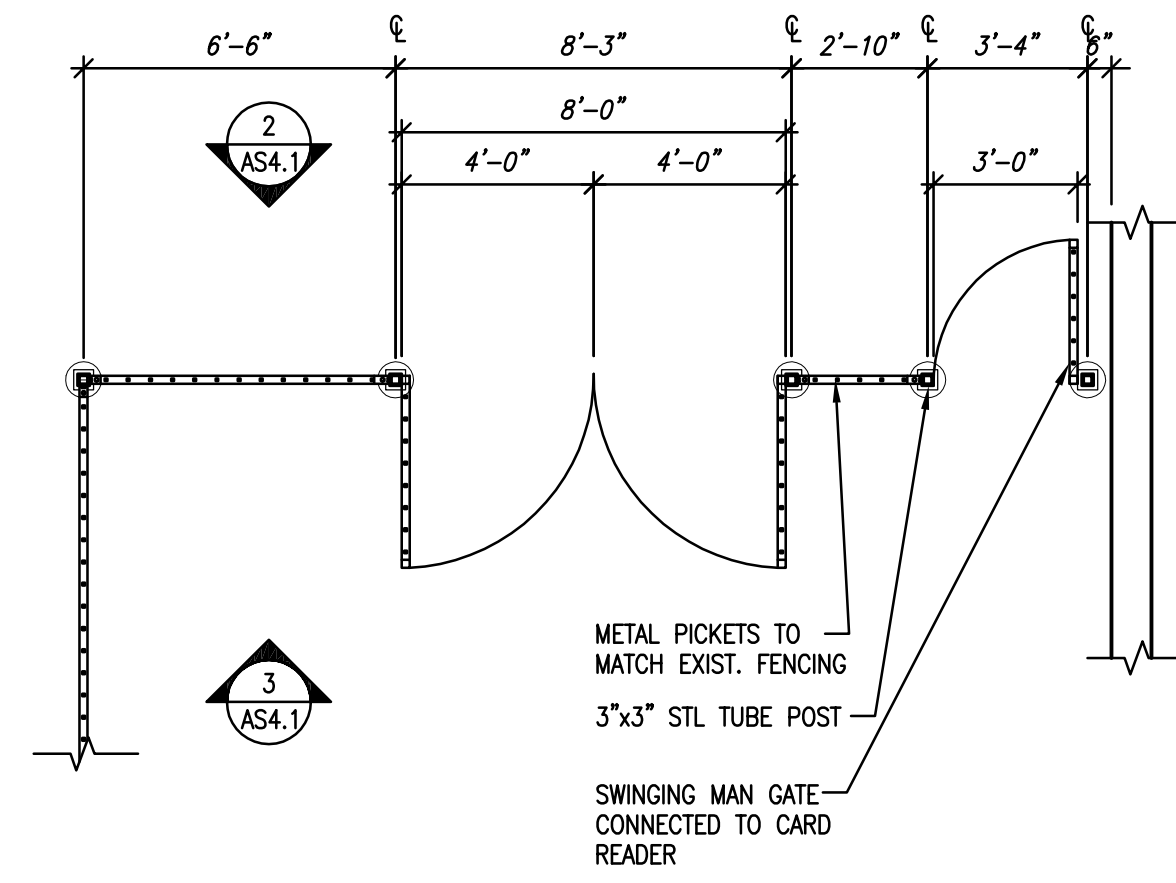
Revisions:

Sheet Name:  
 FENCE DETAILS

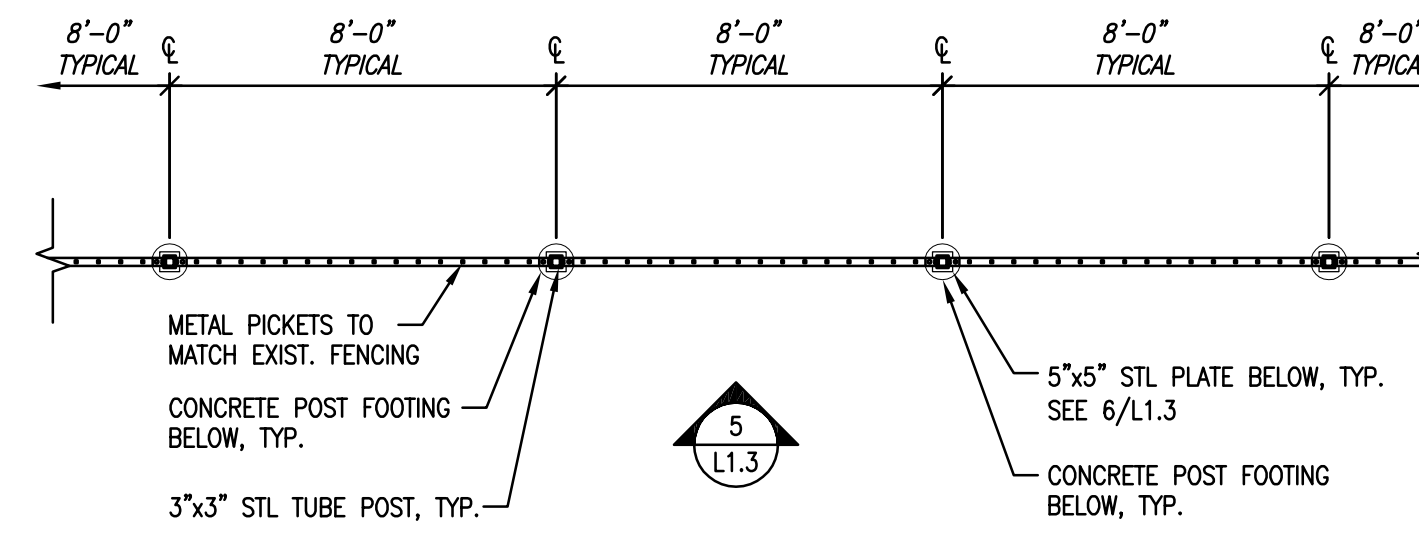
Date: 4/20/2017  
 Drawn By: JPB/JC/CLR  
 Project No.: 15017.06.02

Sheet No.

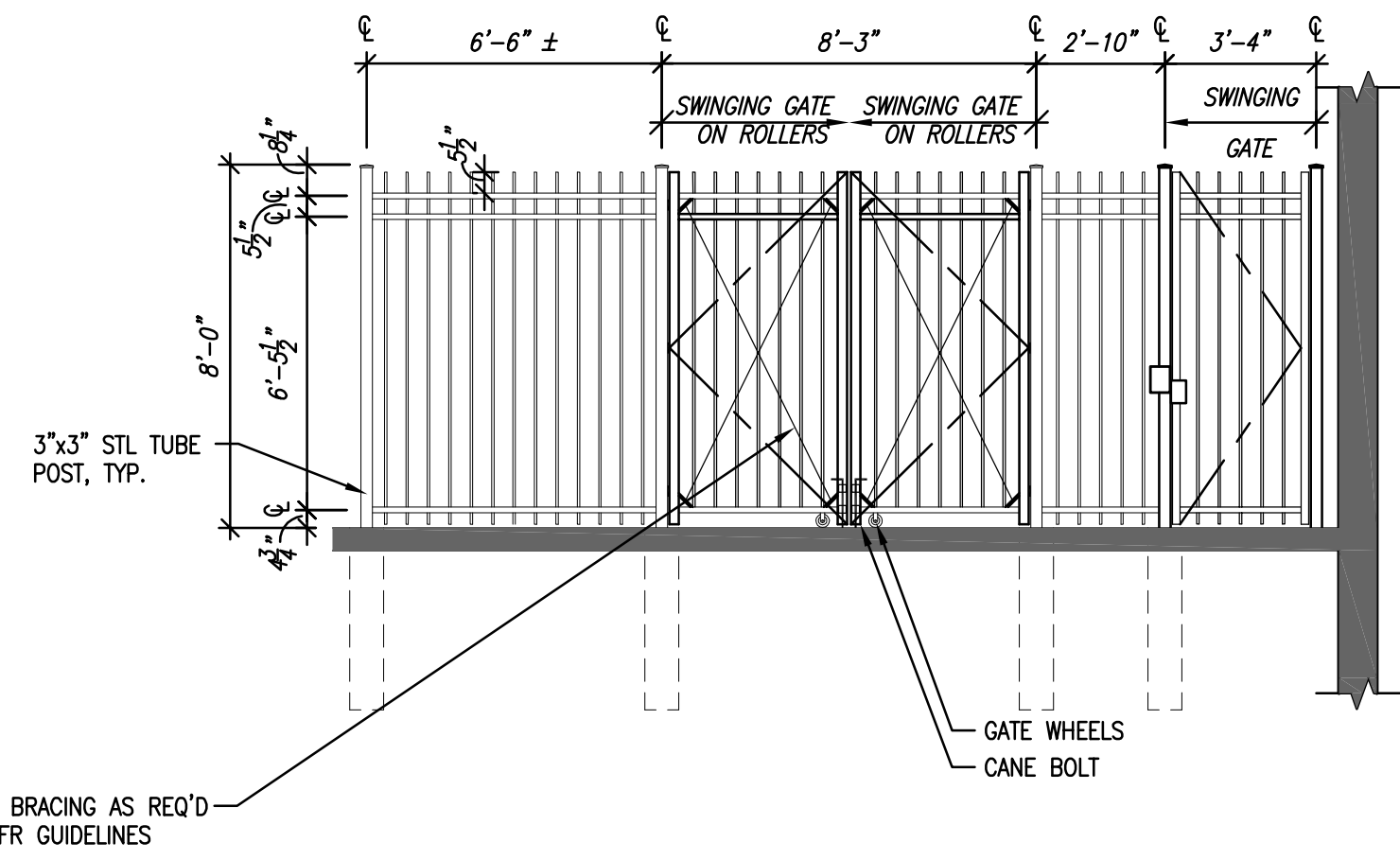
**AS4.1**



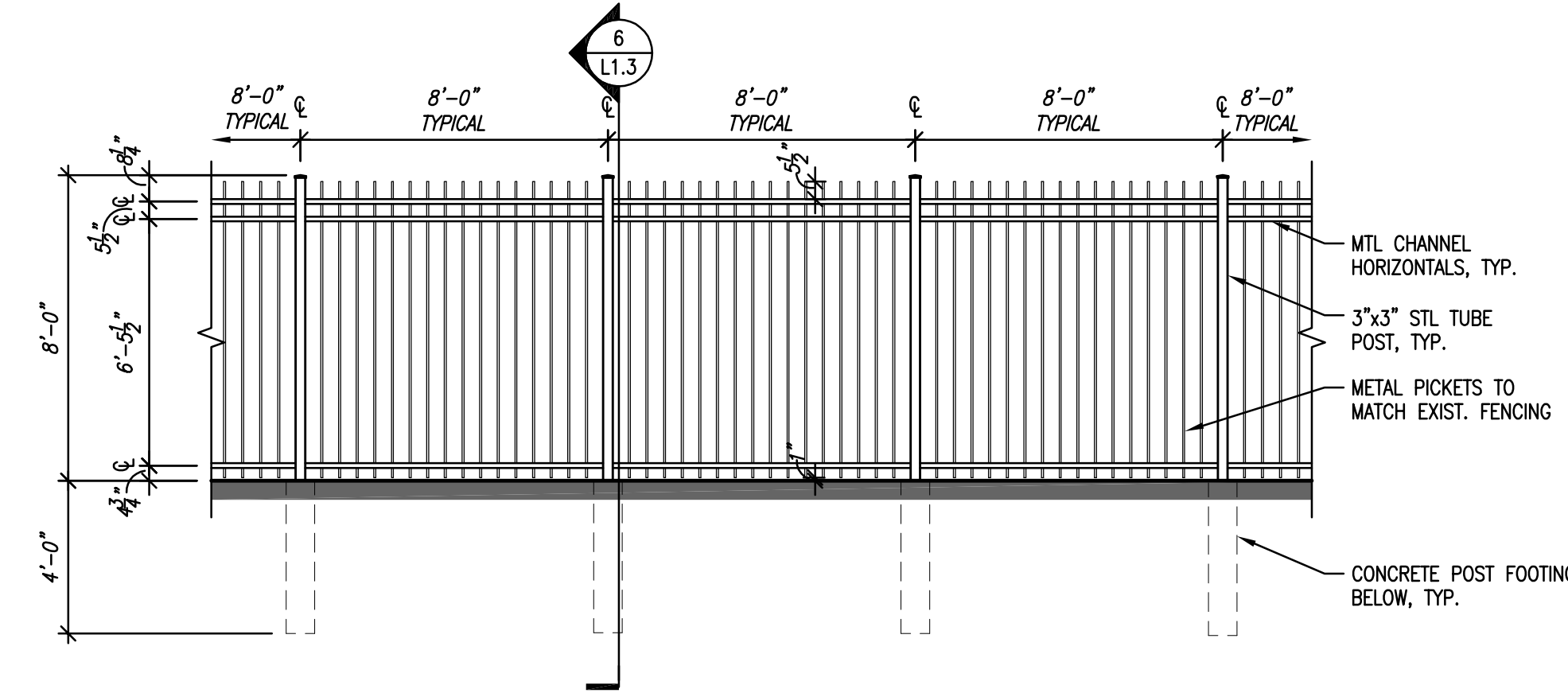
**1** ENTRANCE/EXIT GATE PLAN  
 SCALE: 1/4" = 1'-0"



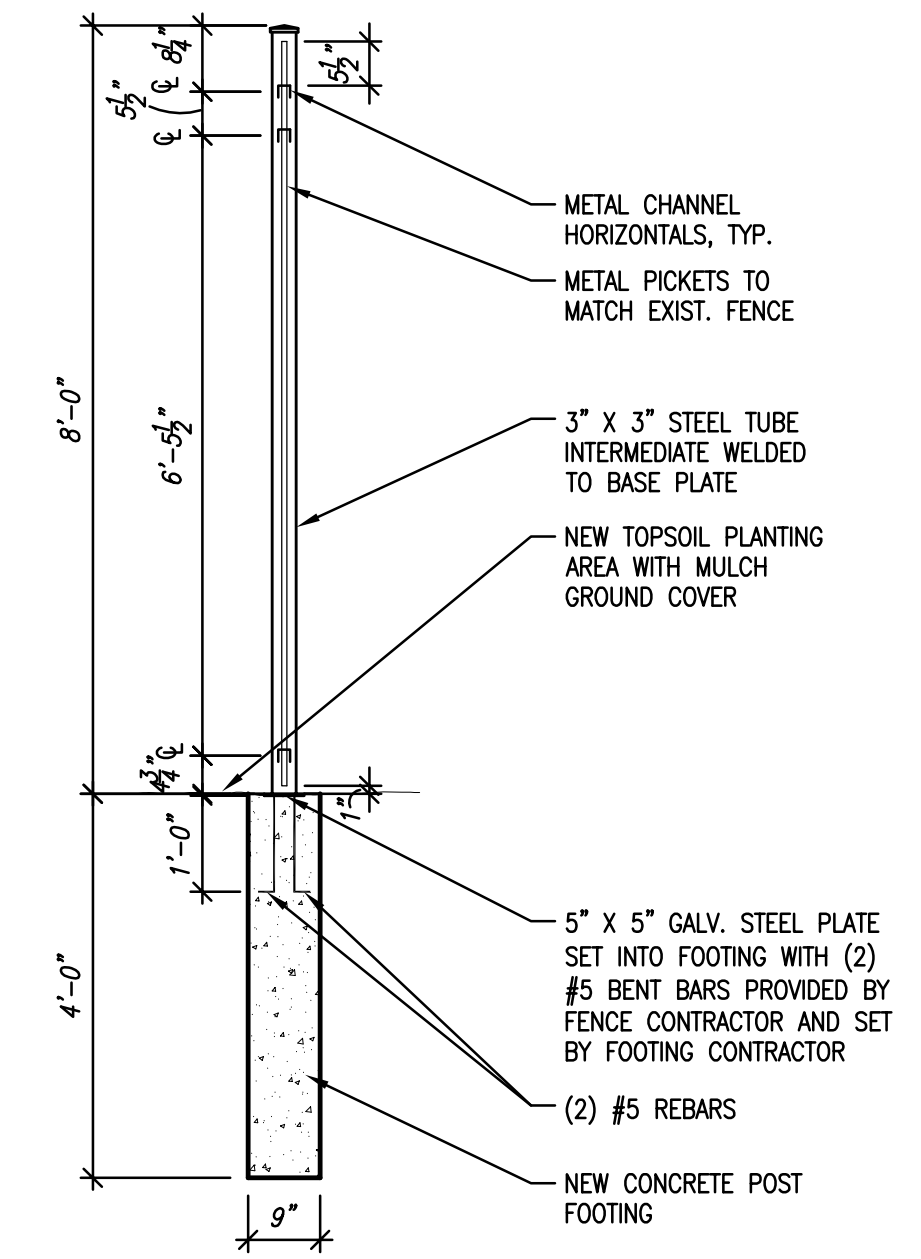
**4** TYPICAL FENCE ENLARGED PLAN  
 SCALE: 1/4" = 1'-0"



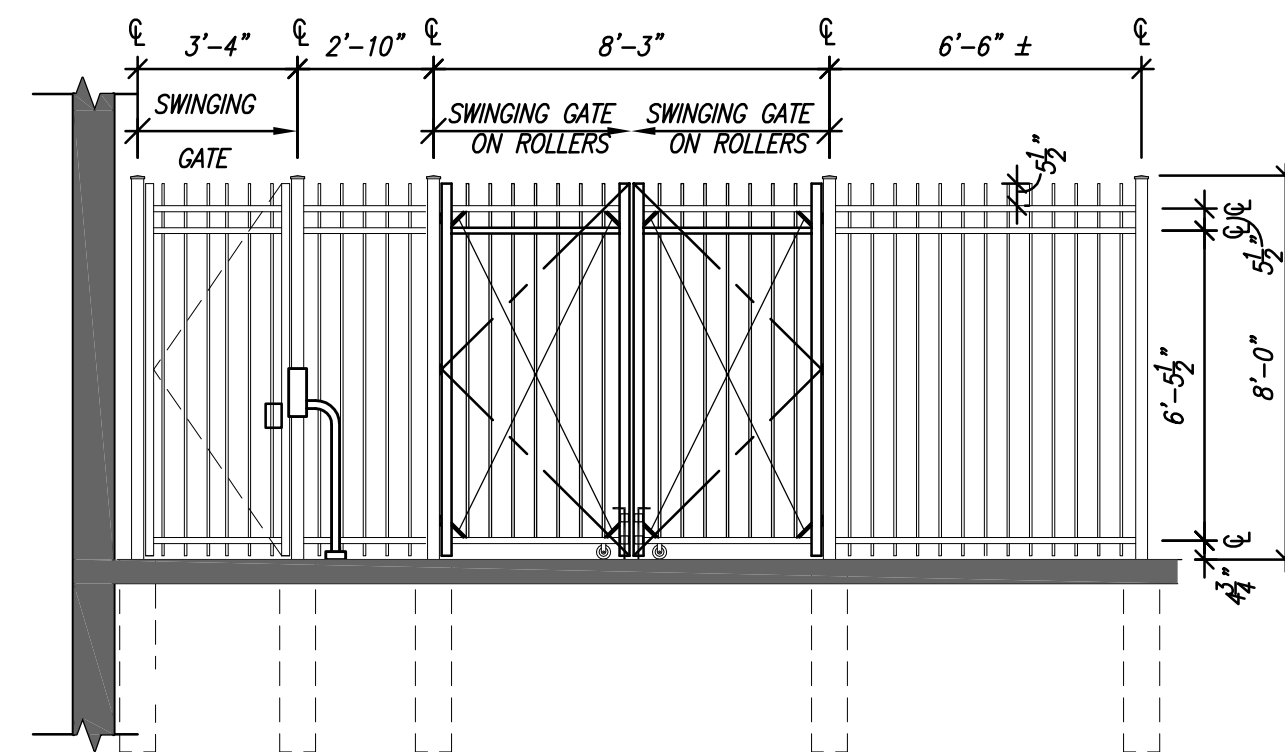
**2** ENTRANCE/EXIT GATE ELEVATION  
 SCALE: 1/4" = 1'-0"



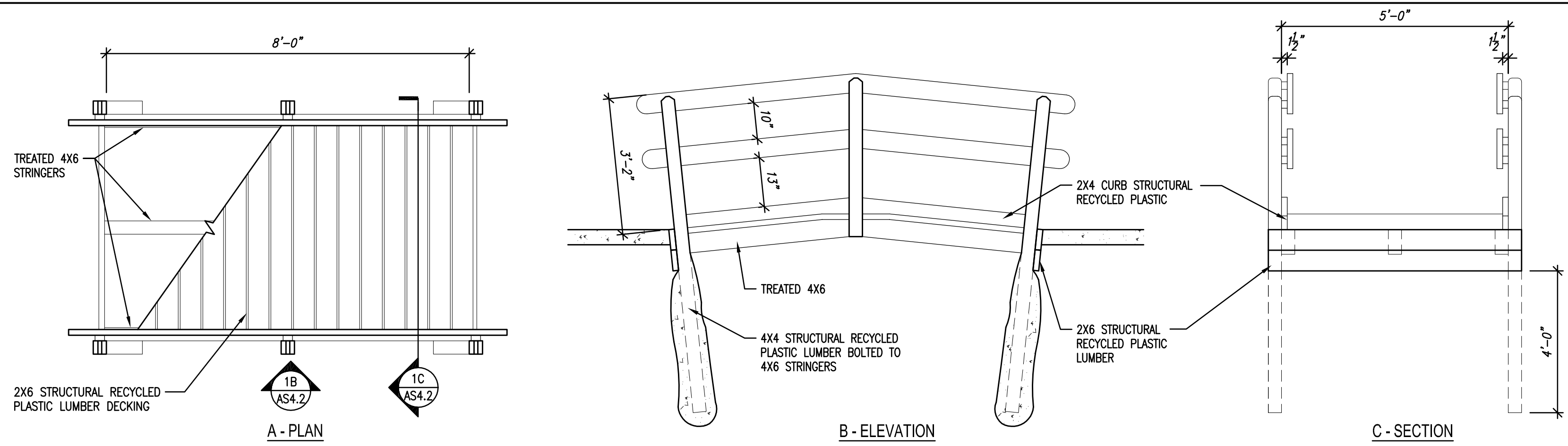
**5** TYPICAL FENCE ELEVATION  
 SCALE: 1/4" = 1'-0"



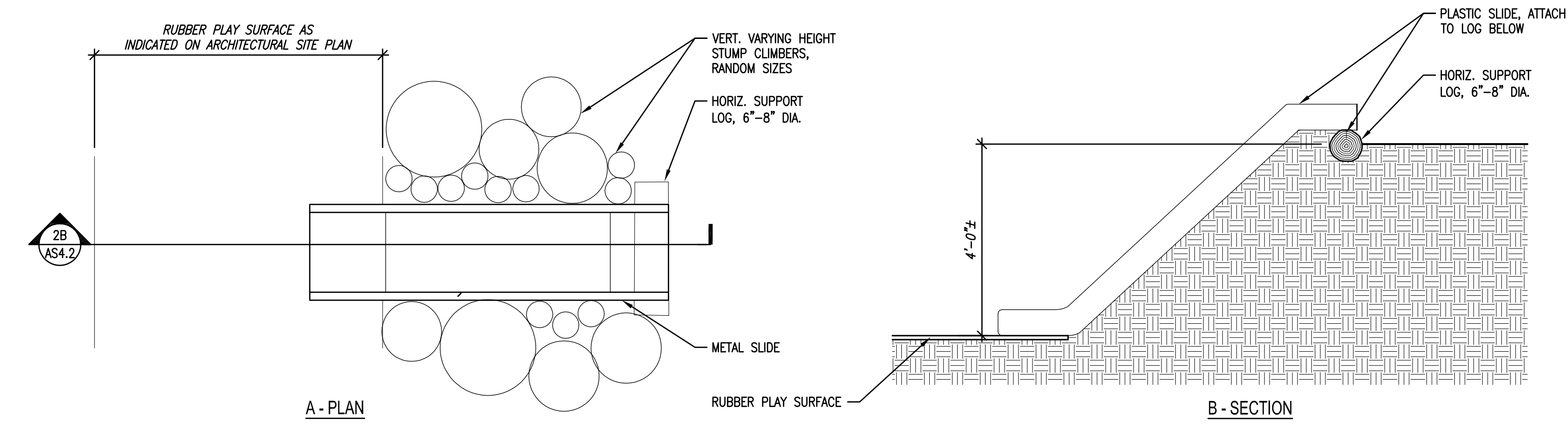
**6** FENCE DETAIL  
 SCALE: 1/2" = 1'-0"



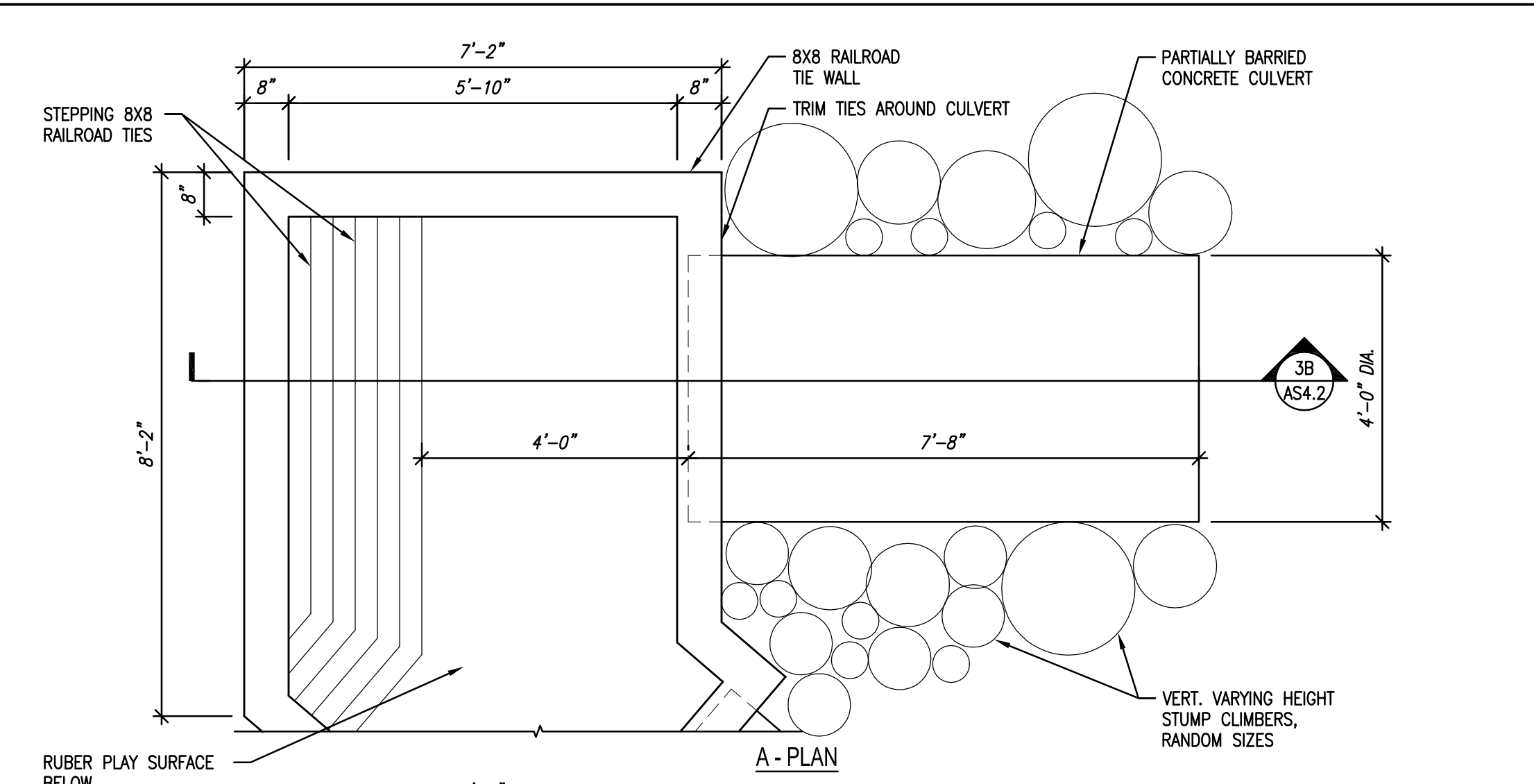
**3** ENTRANCE/EXIT GATE ELEVATION  
 SCALE: 1/4" = 1'-0"



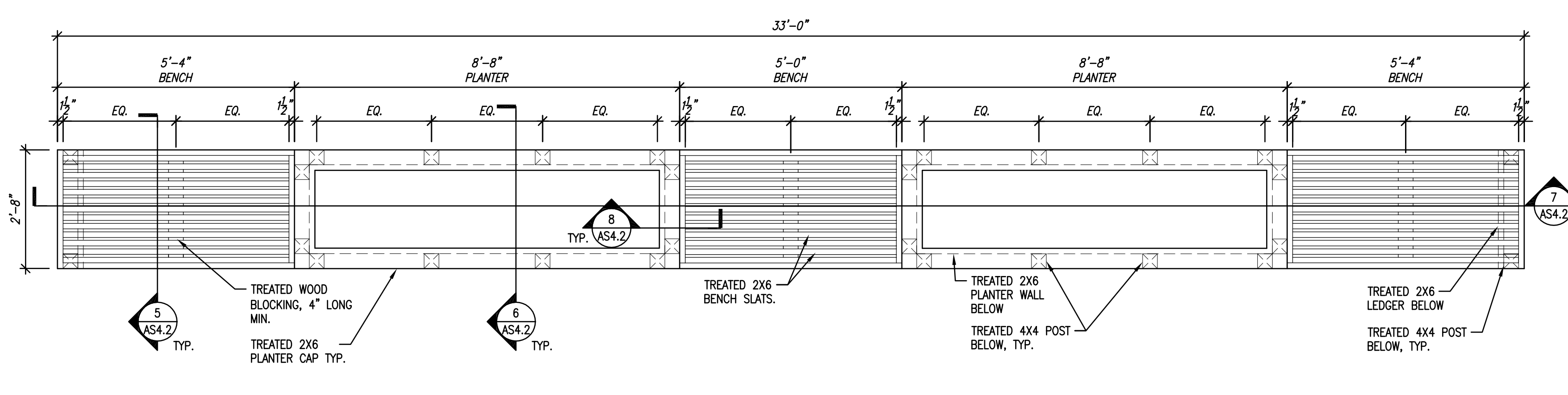
1 BRIDGE DETAILS  
SCALE: 1/2" = 1'-0"



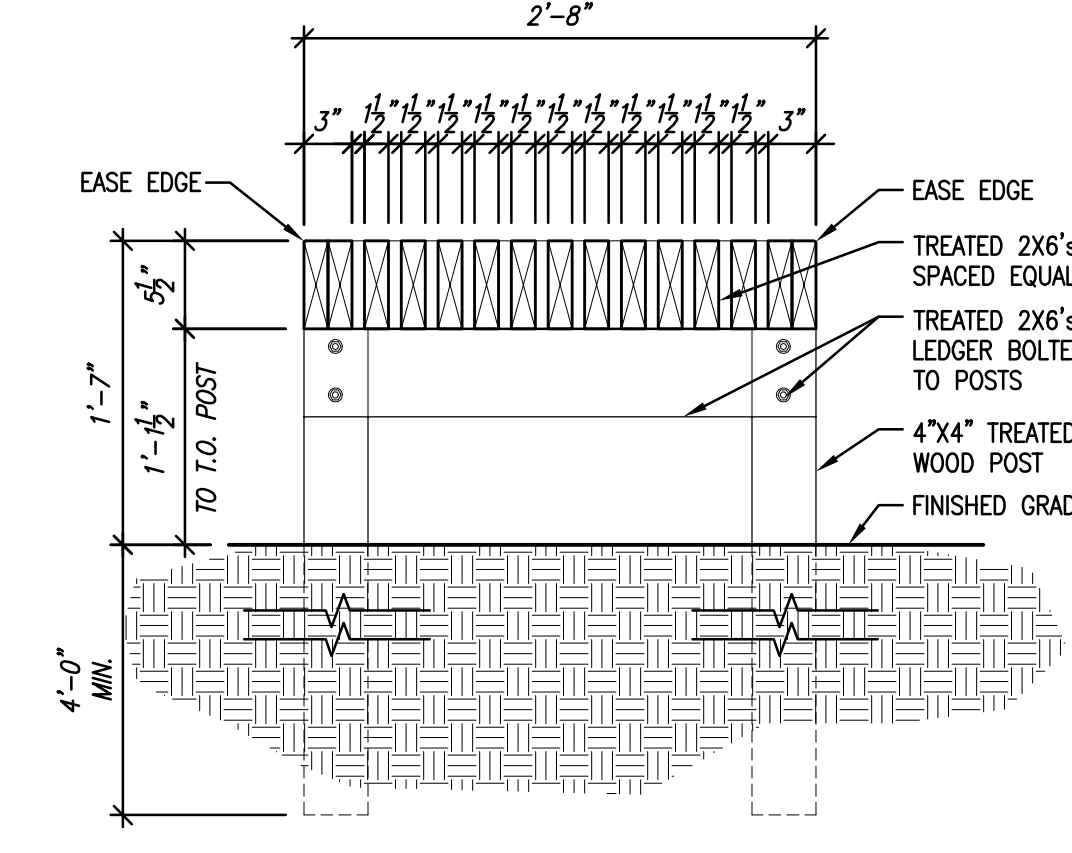
2 HILL SLIDE DETAILS  
SCALE: 1/2" = 1'-0"



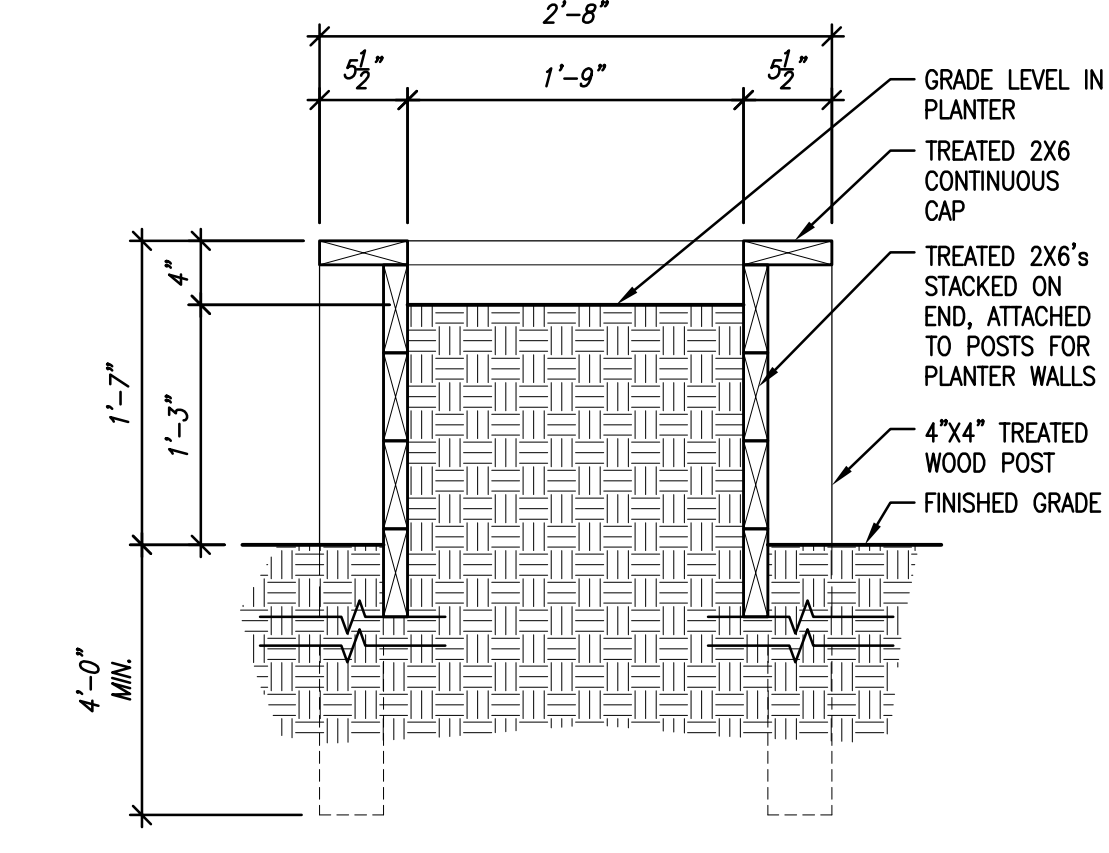
3 CULVERT DETAILS  
SCALE: 1/2" = 1'-0"



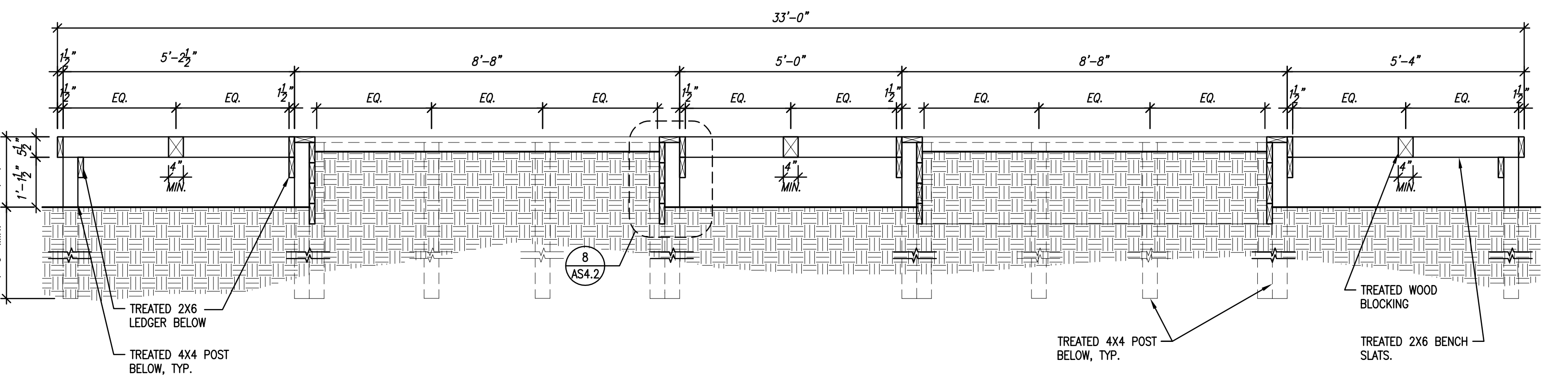
4 BENCH AND PLANTER ENLARGED PLAN  
SCALE: 1/2" = 1'-0"



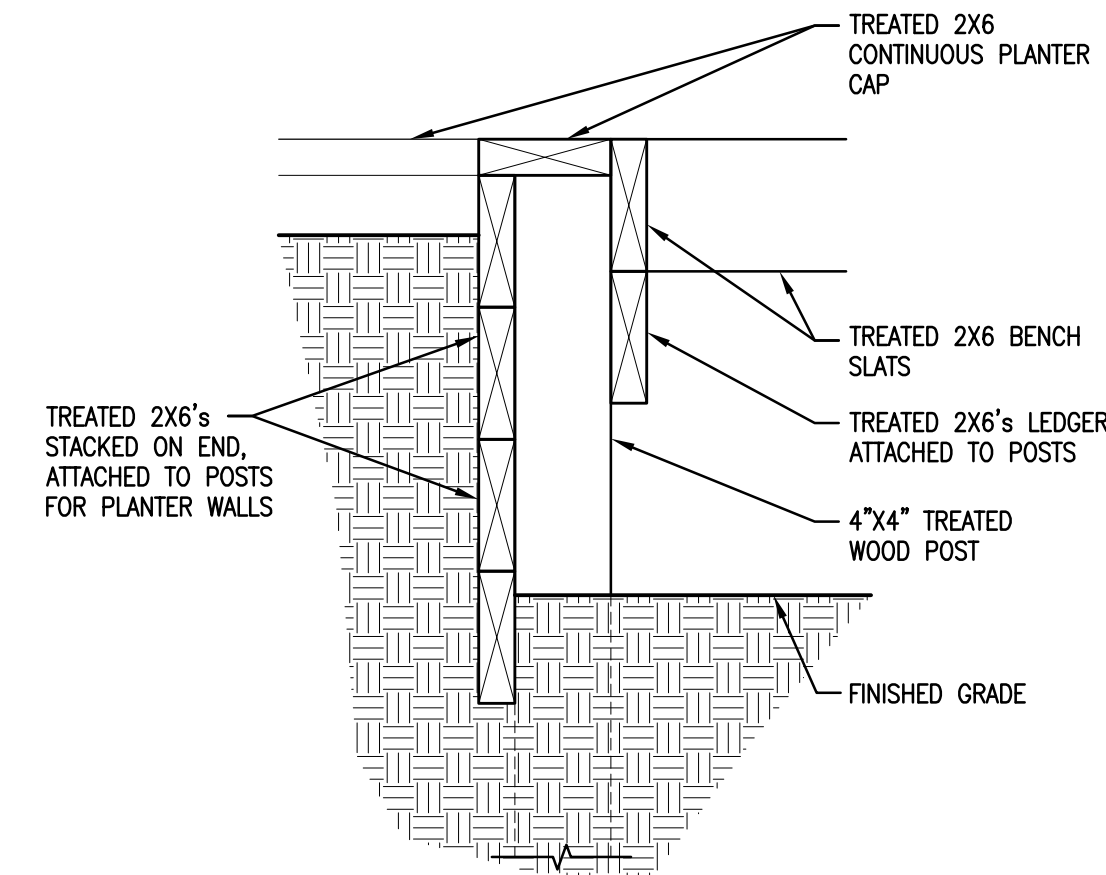
5 BENCH SECTION  
SCALE: 1" = 1'-0"



6 PLANTER SECTION  
SCALE: 1" = 1'-0"



7 BENCH AND PLANTER SECTION  
SCALE: 1/2" = 1'-0"



8 PLANTER / BENCH TRANSITION DETAIL  
SCALE: 1 1/2" = 1'-0"

Revisions:

Sheet Name:  
PLAYGROUND DETAILS

Date: 4/20/2017

Drawn By: JC/CLR

Project No.: 15017.06.02

Sheet No.

AS4.2



1 BASKETBALL HOOP PRECEDENT  
SCALE: N/A



2 MARKER / CHALK BOARD PRECEDENT  
SCALE: N/A



3 CHIME PRECEDENT  
SCALE: N/A



4 BELL PRECEDENT  
SCALE: N/A



5 HILL SLIDE WITH STUMP STEPPER PRECEDENT  
SCALE: N/A



6 RAISED PLANTER BED PRECEDENT  
SCALE: N/A



7 BENCH PRECEDENT  
SCALE: N/A



8 CULVERT PRECEDENT  
SCALE: N/A



9 CULVERT PRECEDENT  
SCALE: N/A



10 BRIDGE PRECEDENT  
SCALE: N/A



11 SAIL PRECEDENT  
SCALE: N/A



12 SAIL PRECEDENT  
SCALE: N/A



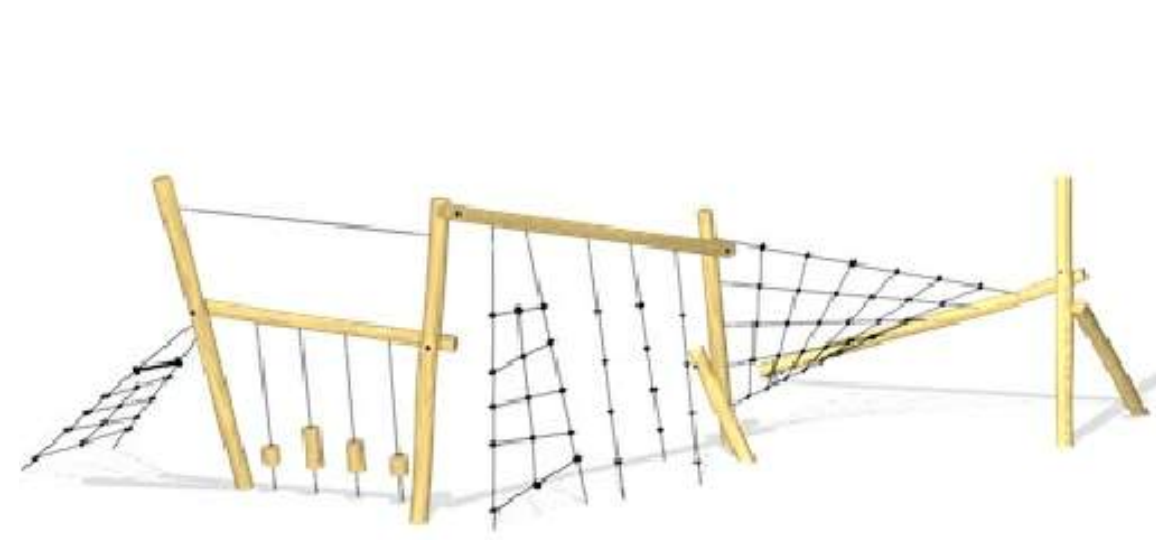
13 TREE COOKIE PRECEDENT  
SCALE: N/A



14 TREE COOKIE PRECEDENT  
SCALE: N/A



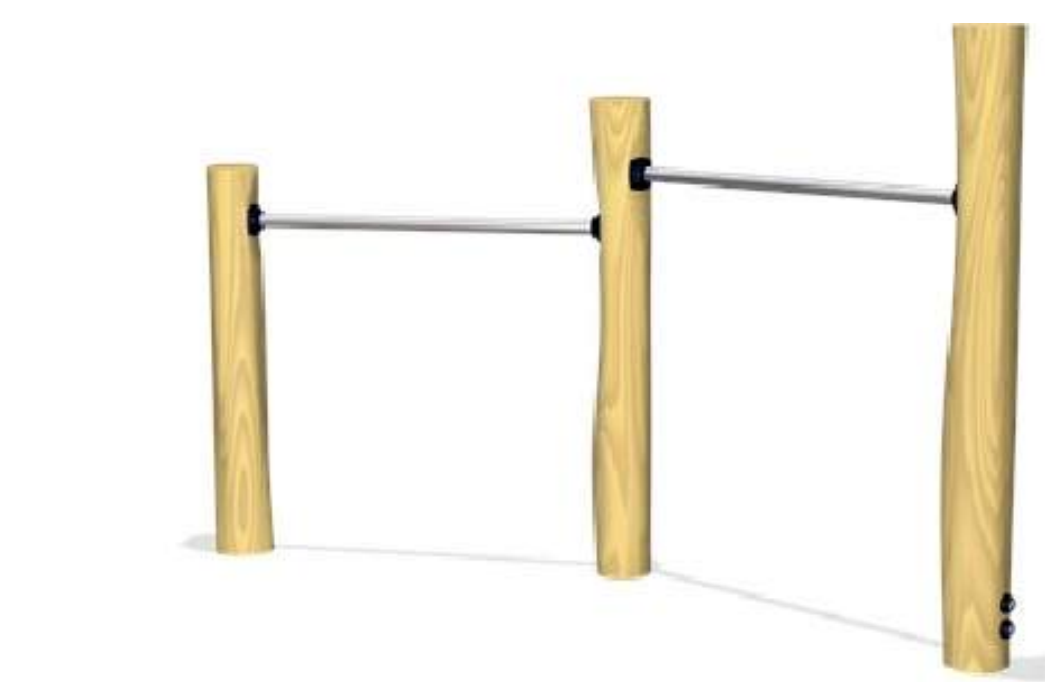
15 TREE COOKIE PRECEDENT  
SCALE: N/A



16 KOMPAN PLAY EQUIPMENT PRECEDENT  
SCALE: N/A



17 KOMPAN PLAY EQUIPMENT PRECEDENT  
SCALE: N/A



18 KOMPAN PLAY EQUIPMENT PRECEDENT  
SCALE: N/A



19 KOMPAN PLAY EQUIPMENT PRECEDENT  
SCALE: N/A



20 BONDED RUBBER MULCH PRECEDENT  
SCALE: N/A



21 RAIN GARDEN PAVILION  
SCALE: N/A



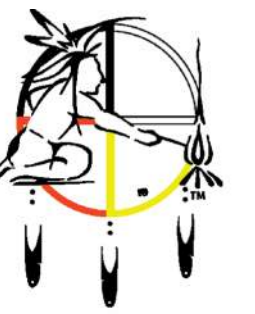
22 RAIN GARDEN PAVILION  
SCALE: N/A



23 SEATING BOULDERS  
SCALE: N/A



Quorum Architects, Inc.  
3112 West Highland Boulevard  
Milwaukee, Wisconsin 53208  
Phone: 414.265.9265  
Fax: 414.265.9465  
www.quorumarchitects.com



FOREST COUNTY  
POTAWATOMI  
Keeper of the Fire

PRELIMINARY  
NOT FOR  
CONSTRUCTION  
QUORUM ARCHITECTS, INC.

WGEMA CAMPAS PLAYGROUND  
3215 W. State Street  
Milwaukee, Wisconsin 53208

Revisions:

Sheet Name:  
PRECEDENT PHOTOS

Date: 4/20/2017  
Drawn By: JPB/JC/CLR  
Project No.: 15017.06.02

Sheet No.

AS5.1