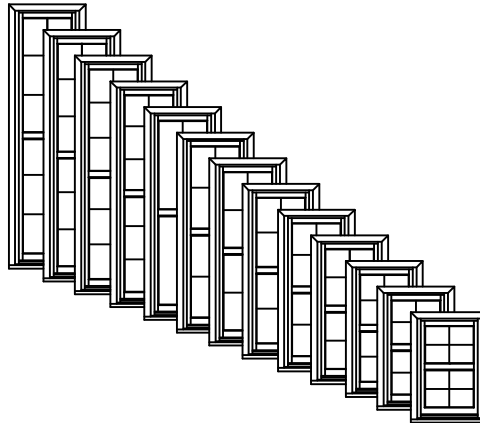

TABLE OF CONTENTS

General Information	6-2
Elevation Notes	6-3
Clear Opening	6-6
Light Cut Information	6-7
Operation and Sash Tilt.	6-8
Unit Sizing, Rough Openings & Masonry Openings	6-9
Trim Options	6-10
Sill Options	6-11
Glass Stop Options	6-12
Jamb Extender Options.	6-13
Mullion Options	6-14
Bay Rough Openings	6-17
Glazing Options	6-18
SDL Options	6-20
Section Details	6-22
Min-Max Sizing	6-28

GENERAL INFORMATION



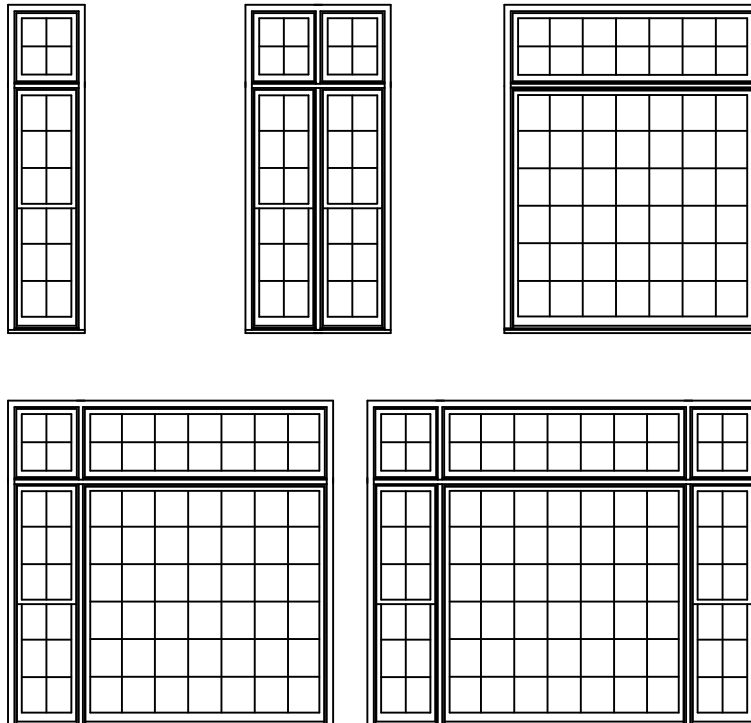
DIMENSIONAL WINDOWS

Wood double hung windows may be specified as "dimensional", by adjusting the desired rough opening width or height.

Wood double hung windows feature fully operating upper and lower sash. Counterbalancing is achieved with block and tackle spring extension systems hidden in weatherable PVC jamb liners. Operating units are supplied with cam-type sash locks installed. Die-cast lower sash lifts supplied for field installation are an option. Recessed sash retainers provide simple sash installation and removal. There are several hardware finish options. Refer to the Specifications for available finish options.

MULTIPLE ASSEMBLIES

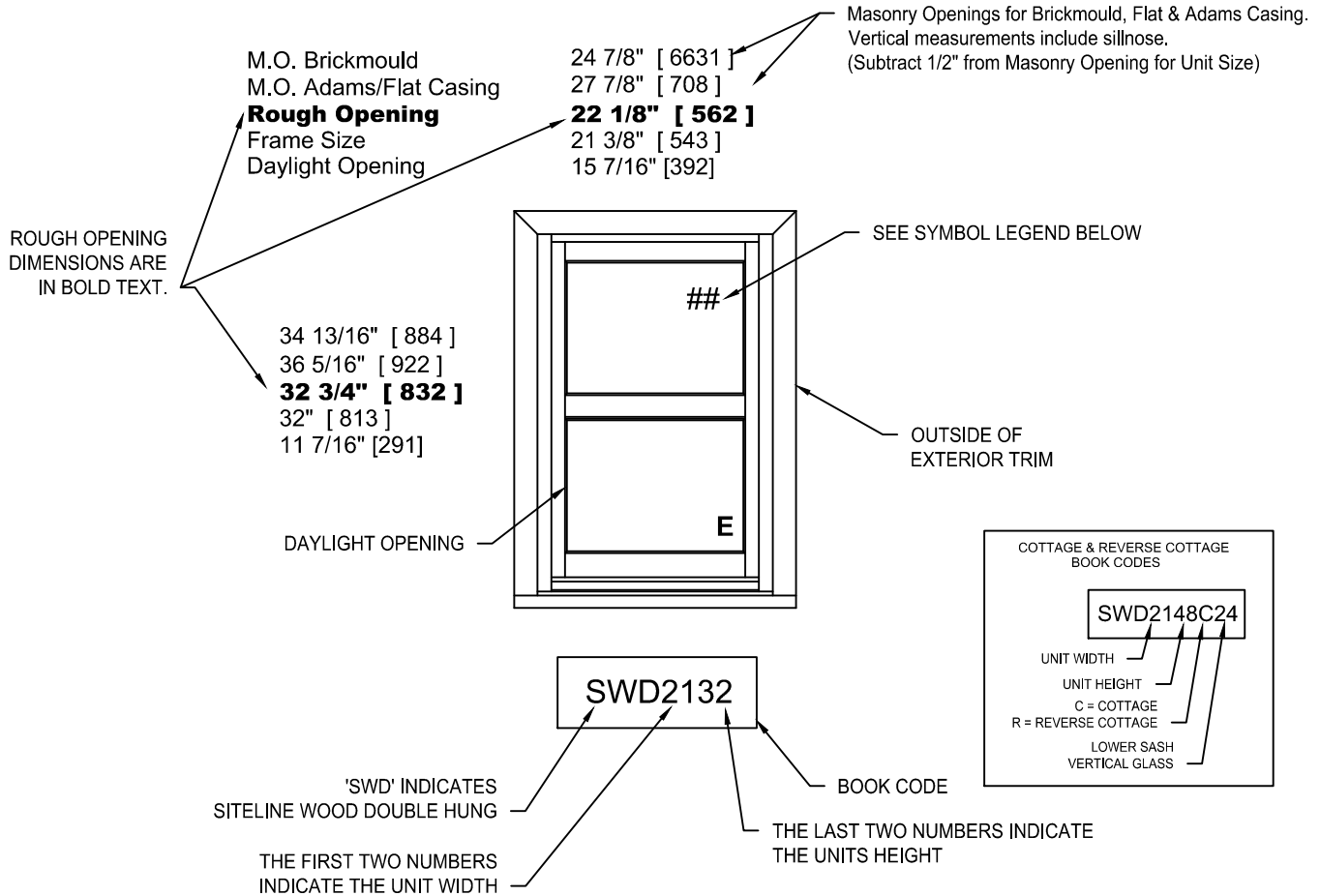
Wood double hung windows may be mulled beside other wood double hungs or wood picture windows, or below wood transom windows, to fulfill a wide variety of needs.



DOUBLE HUNG
ELEVATION NOTES

ELEVATION DRAWINGS UTILIZE A LIMITED NUMBER OF PROJECTED LINES TO PRODUCE A RUDIMENTARY DRAWING INTENDED TO BE USED IN A SMALL GRAPHICAL SCALE. ELEVATIONS ARE VIEWED PERPENDICULAR FROM THE EXTERIOR OF THE STRUCTURE. IF MORE DIMENSIONS ARE NEEDED, USE THE SECTION DRAWINGS FOR MORE COMPLETE DEPICTIONS.

DOUBLE HUNG WINDOW



GENERAL WOOD DOUBLE HUNG NOTES

1. ALL UNITS SHOWN ARE AVAILABLE AS OPERATORS ONLY.
2. UNIT ELEVATIONS ARE SHOWN WITH BRICKMOULD & SILLNOSE.
3. ALL OPERATING SASH ARE INSTALLED WITH VINYL JAMB LINERS AND OPERATED WITH AN INTERNAL BLOCK AND TACKLE SPRING SYSTEM.
4. DIMENSIONAL VALUES IN BRACKETS ARE MILLIMETER CONVERSIONS.

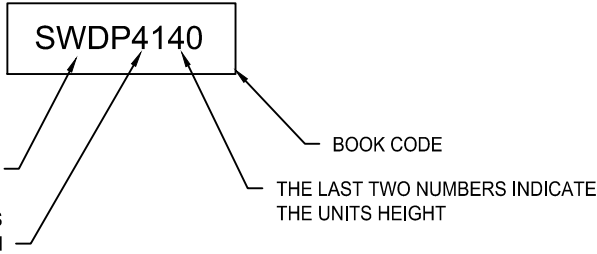
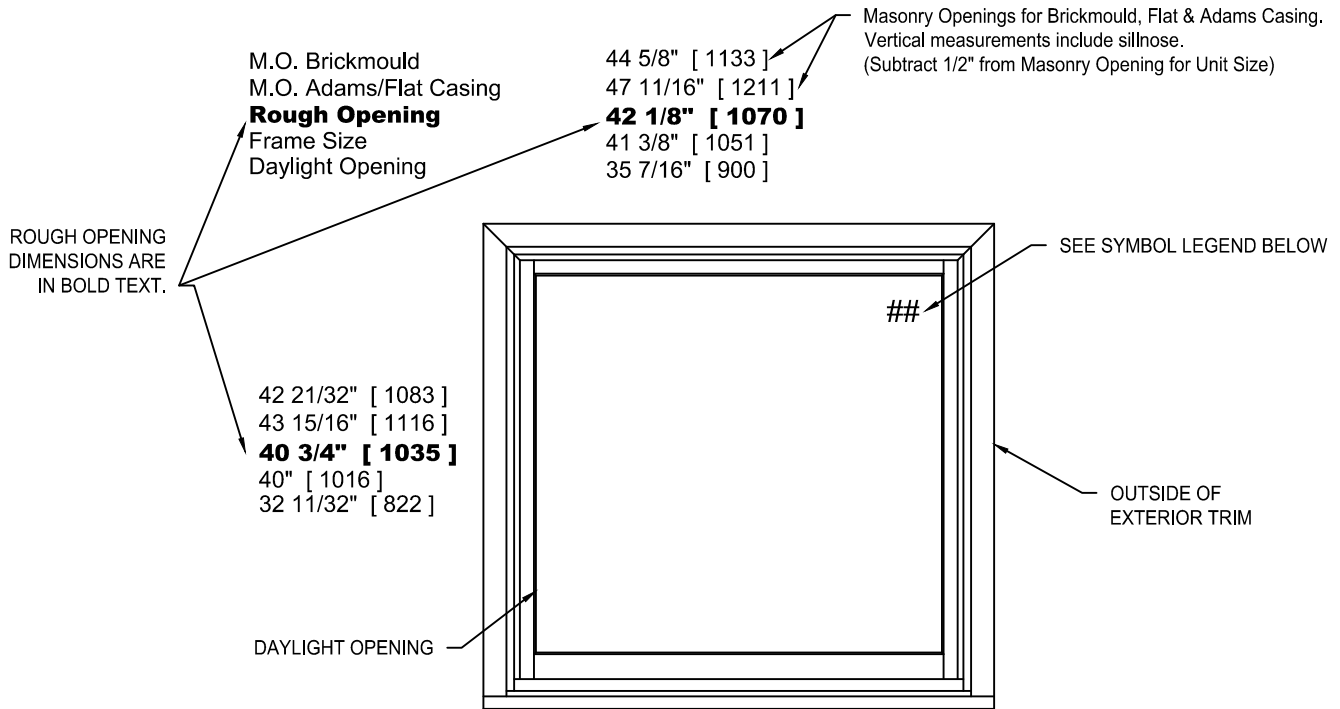
ELEVATION SYMBOL LEGEND:

- E** BASIC UNIT CLEAR OPENING EXCEEDS 20" IN WIDTH, 24" IN HEIGHT & A MINIMUM OF 5.7 SQ. FT.
- E1** BASIC UNIT CLEAR OPENINGS EXCEEDS 20" IN WIDTH, 24" IN HEIGHT & A MINIMUM OF 5.0 SQ. FT., FOR FIRST FLOOR EGRESS
- ##** NUMBER INDICATES PERFORMANCE GRADE(PG) RATING WITH STANDARD GLAZING.

PICTURE
ELEVATION NOTES

ELEVATION DRAWINGS UTILIZE A LIMITED NUMBER OF PROJECTED LINES TO PRODUCE A RUDIMENTARY DRAWING INTENDED TO BE USED IN A SMALL GRAPHICAL SCALE. ELEVATIONS ARE VIEWED PERPENDICULAR FROM THE EXTERIOR OF THE STRUCTURE. IF MORE DIMENSIONS ARE NEEDED, USE THE SECTION DRAWINGS FOR MORE COMPLETE DEPICTIONS.

PICTURE WINDOW



GENERAL DOUBLE HUNG PICTURE NOTES

1. ALL UNITS SHOWN ARE AVAILABLE AS STATIONARY ONLY.
2. UNIT ELEVATIONS ARE SHOWN WITH BRICKMOULD AND SILLNOSE.
3. DIMENSIONAL VALUES IN BRACKETS ARE MILLIMETER CONVERSIONS.

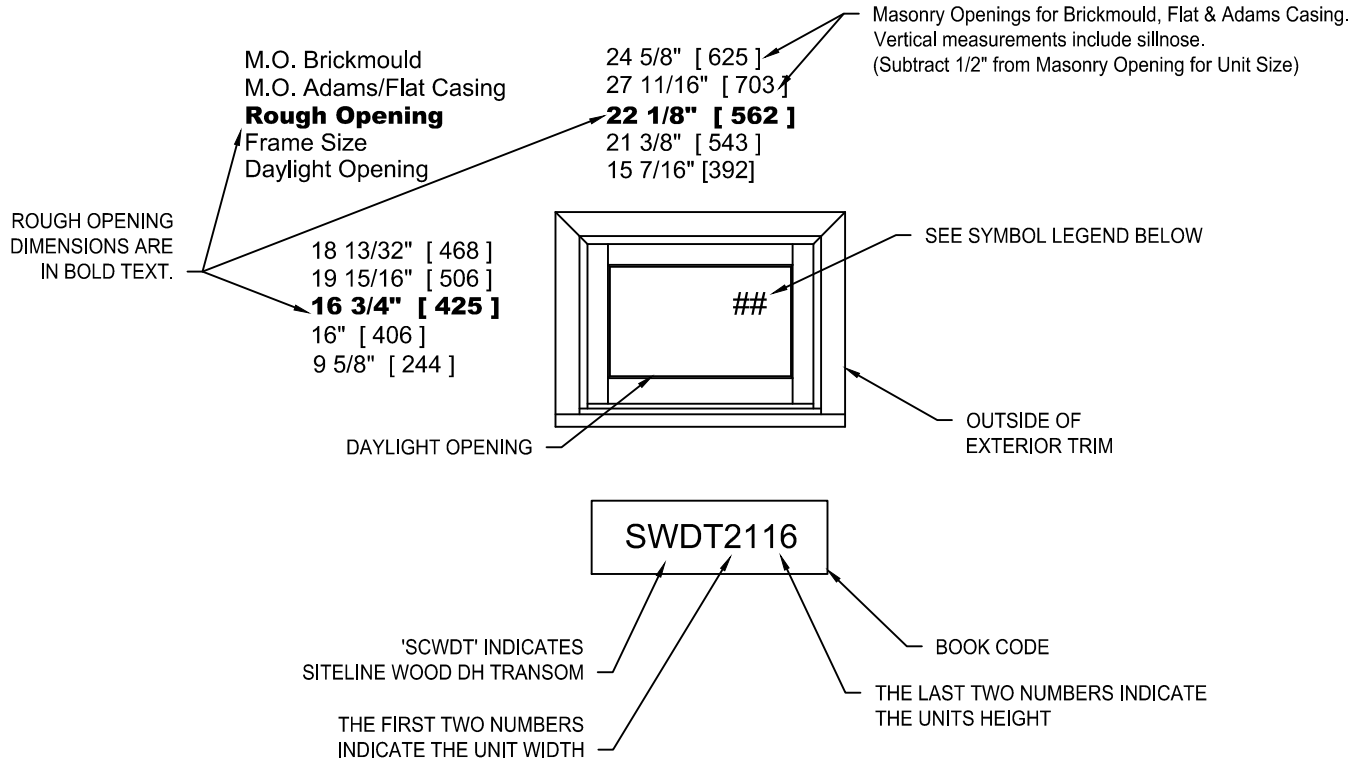
ELEVATION SYMBOL LEGEND:

NUMBER INDICATES PERFORMANCE GRADE(PG) RATING WITH STANDARD GLAZING.

TRANSOM
ELEVATION NOTES

ELEVATION DRAWINGS UTILIZE A LIMITED NUMBER OF PROJECTED LINES TO PRODUCE A RUDIMENTARY DRAWING INTENDED TO BE USED IN A SMALL GRAPHICAL SCALE. ELEVATIONS ARE VIEWED PERPENDICULAR FROM THE EXTERIOR OF THE STRUCTURE. IF MORE DIMENSIONS ARE NEEDED, USE THE SECTION DRAWINGS FOR MORE COMPLETE DEPICTIONS.

TRANSOM WINDOW



GENERAL DOUBLE HUNG TRANSOM NOTES

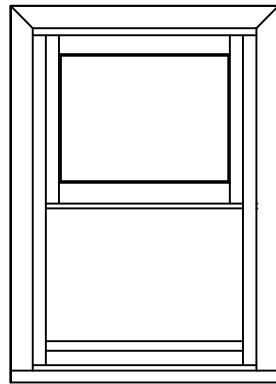
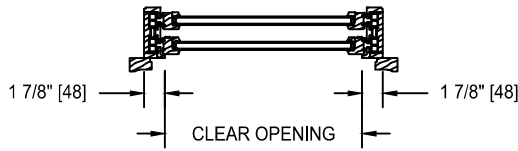
1. ALL UNITS SHOWN ARE AVAILABLE AS STATIONARY ONLY.
2. UNIT ELEVATIONS ARE SHOWN WITH BRICKMOULD & SILLNOSE.
2. DIMENSIONAL VALUES IN BRACKETS ARE MILLIMETER CONVERSIONS.

ELEVATION SYMBOL LEGEND:

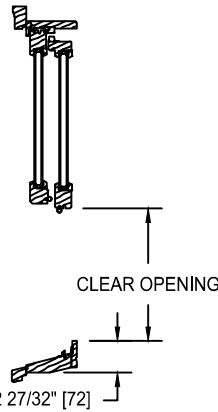
NUMBER INDICATES PERFORMANCE GRADE(PG) RATING WITH STANDARD GLAZING.

CLEAR OPENING

CLEAR OPENING LAYOUT



DOUBLE HUNG WINDOW



DOUBLE HUNG
CLEAR OPENING FORMULA

INTERIOR GLAZED SASH
VERTICAL

$(\text{Frame Height} / 2) - 2 \frac{27}{32}'' = \text{Clear Opening}$

HORIZONTAL

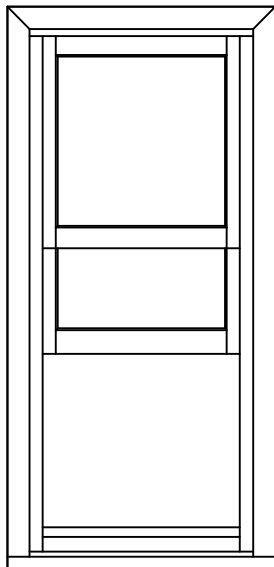
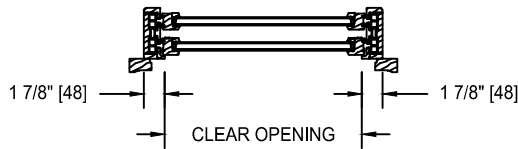
$\text{Frame} - 3 \frac{3}{4}'' = \text{Clear Opening}$

EXTERIOR GLAZED SASH
VERTICAL

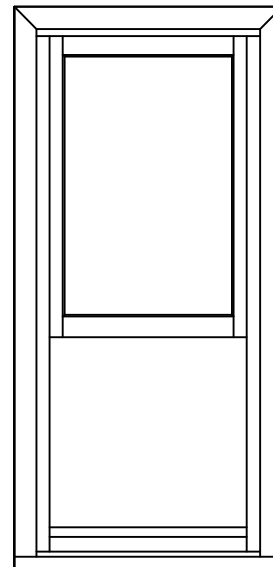
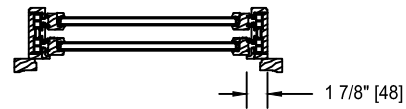
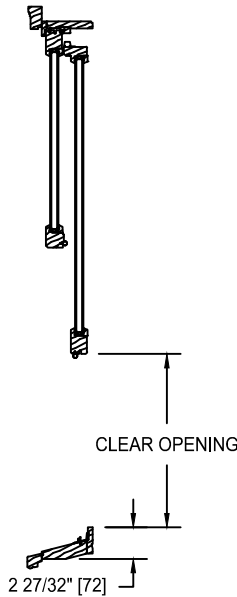
$(\text{Frame Height} / 2) - 2 \frac{27}{32}'' = \text{Clear Opening}$

HORIZONTAL

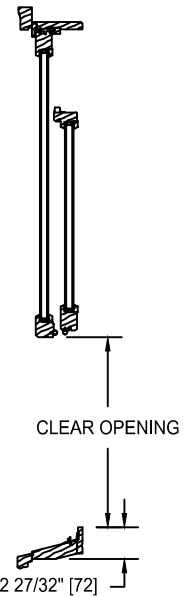
$\text{Frame} - 3 \frac{3}{4}'' = \text{Clear Opening}$



COTTAGE WINDOW



REVERSE COTTAGE WINDOW



COTTAGE & REVERSE COTTAGE

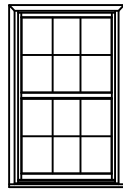
Consult the Design Data Tables for clear opening information. For dimensional units, contact Jeld-Wen - Hawkins Window Division Technical Services Department for Clear Opening information.

LITE CUT OPTIONS

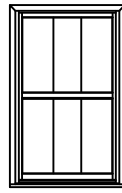
Wood double hung windows are available with removable grilles in 7/8", 1-1/8" and 1-3/8" widths, grilles between glass (GBG), and Simulated Divided Lites. Standard lite cuts are rectangular, and conform to the layouts noted in the charts on the next page. To use the chart, refer to the appropriate table by the type of window and type of bars or grilles the section drawings illustrate. Then simply cross reference the frame Height and Width to determine the standard lite cut.

LITE CUT OPTIONS

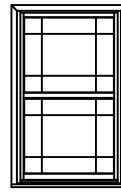
Special lite cut patterns can include a wide variety of straight line and radius patterns. The illustrations shown here represent just a few of the possibilities. Rectangular, horizontal, vertical and Prairie lite patterns are available in all standard size wood double hung windows. Uneven, diamond, radius and Gothic lite cuts are available, subject to approval. Approvals are based on the ability to fulfill the design requirement while maintaining the construction integrity of the finished product.



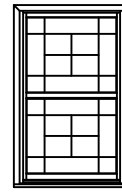
RECTANGULAR



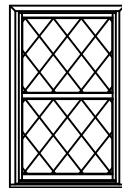
VERTICAL



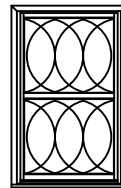
PRAIRIE



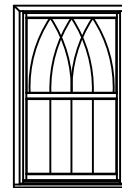
UNEVEN



DIAMOND



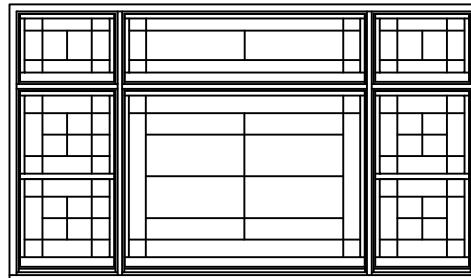
RADIUS



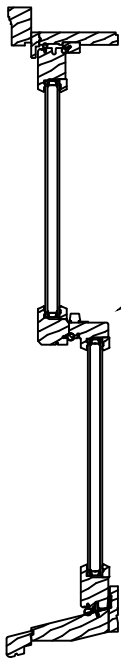
GOthic

BAR ALIGNMENT

Alignment of divided lite muntin bars from one window to the next is often required by fine architectural design. Wood grilles, GBG's, and Simulated Divided Lites may be specified with muntin bars aligned.



OPERATION AND SASH TILT



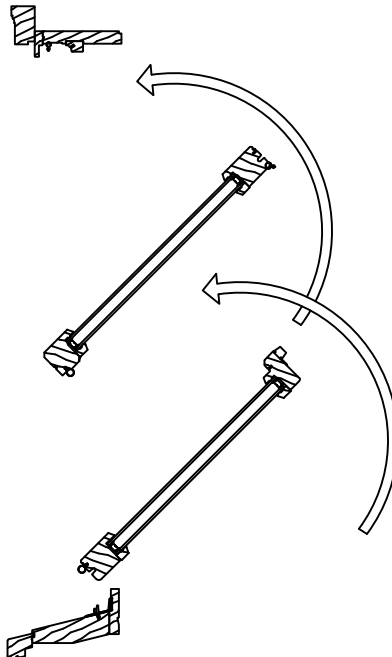
DOUBLE HUNG OPERATION:
When the sash are locked at the check rails the sash are closed and sealed in the sash opening of the frame.

When the sash are unlocked the lower sash travels vertically to any position desired. The upper sash can also be positioned as desired.

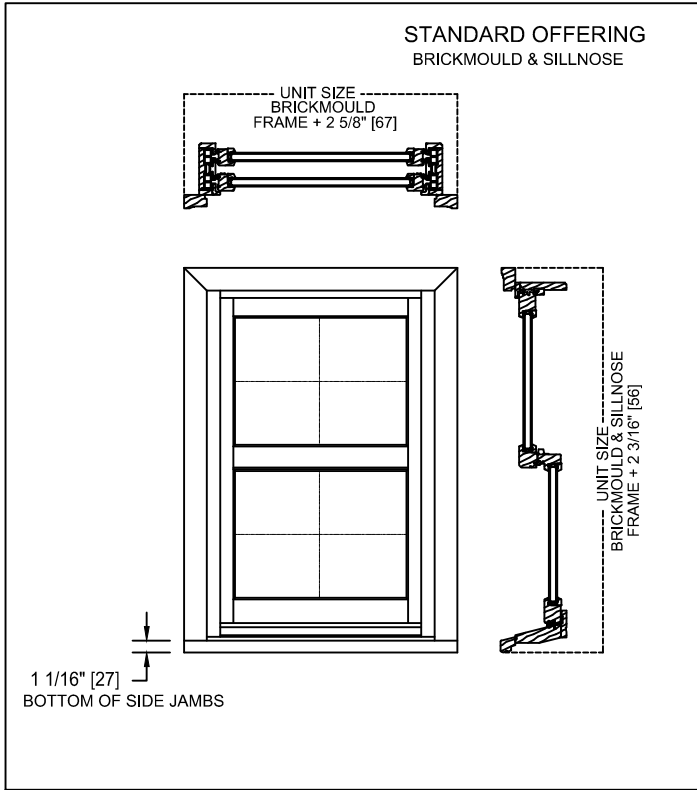


SASH TILTING FOR WASHING

The Premium Double Hung window will allow the sash to be tilted or removed for easy cleaning.



UNIT SIZING



GENERAL NOTES:

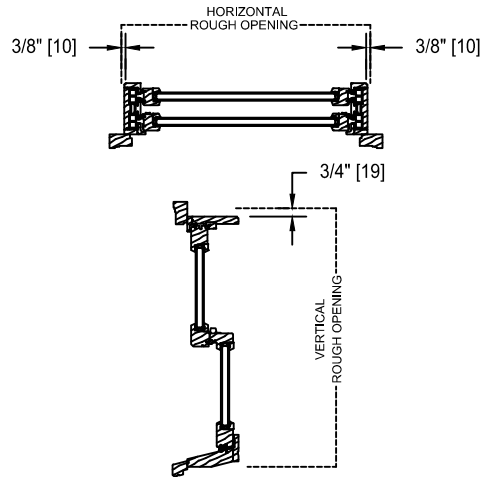
UNIT SIZE IS ALWAYS THE
EXTREME SIZE OF THE WINDOW
WITH OR WITHOUT TRIM AND
DOES NOT INCLUDE NAIL FIN

MASONRY OPENING:

MASONRY OPENING IS ALWAYS 1/2" OVER (HEIGHT AND WIDTH)
THE UNIT SIZE OR THE OUTSIDE EDGE OF THE TRIM
OF THE WINDOW

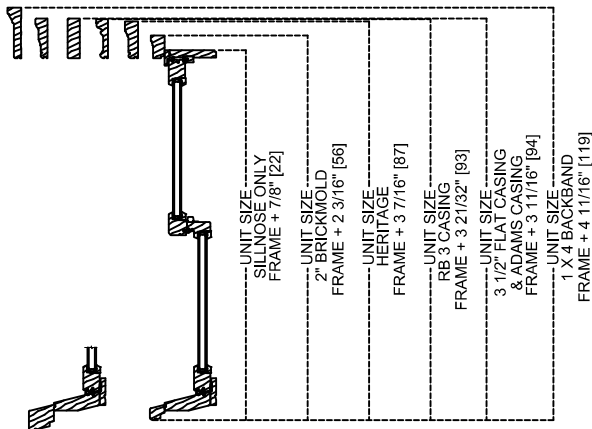
ROUGH OPENING:

ROUGH OPENING IS ALWAYS 3/4" OVER
FRAME SIZE OF THE WINDOW

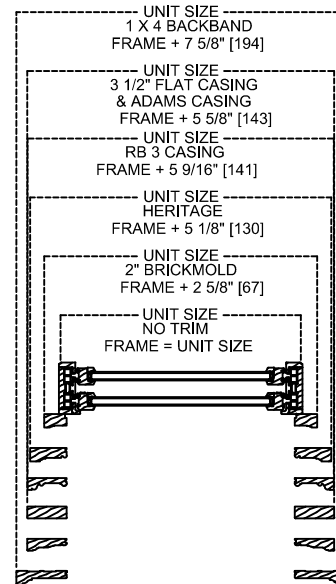


NON-STANDARD UNIT SIZING

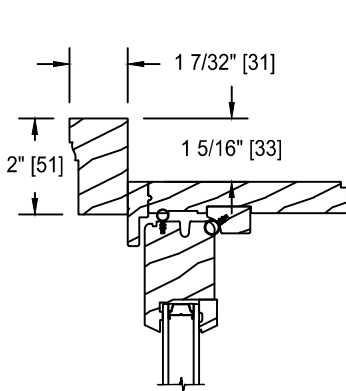
EXTERIOR TRIM OFFERINGS WITH SILL NOSE
EXTERIOR TRIM MUST USE SILL NOSE



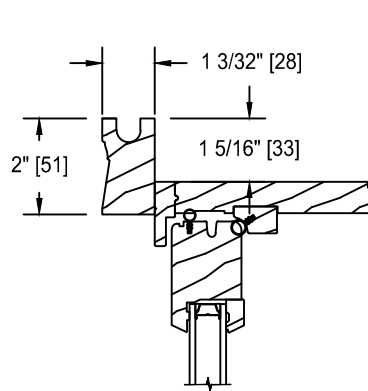
2" SILL NOSING WOULD ADD AN ADDITIONAL
15/16" TO STANDARD UNIT HEIGHT



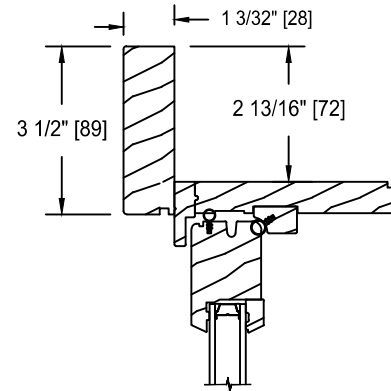
TRIM OPTIONS



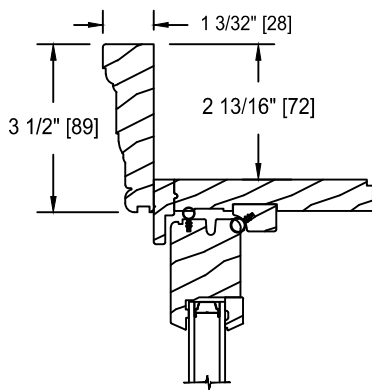
BRICKMOLD



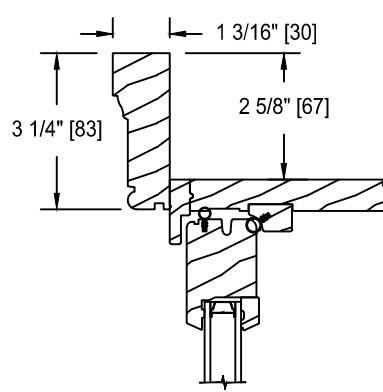
STUCCO BRICKMOULD



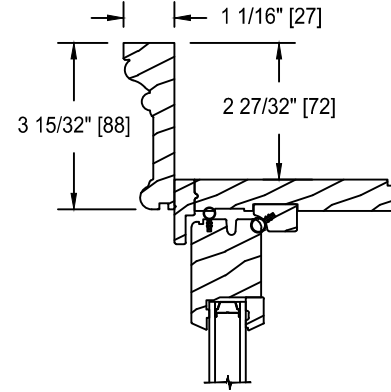
FLAT CASING



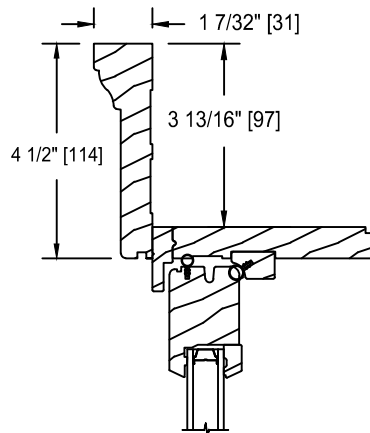
ADAMS CASING



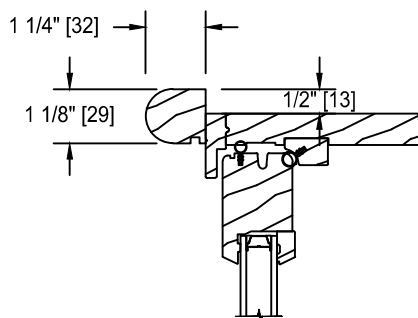
HERITAGE



RB 3 CASING

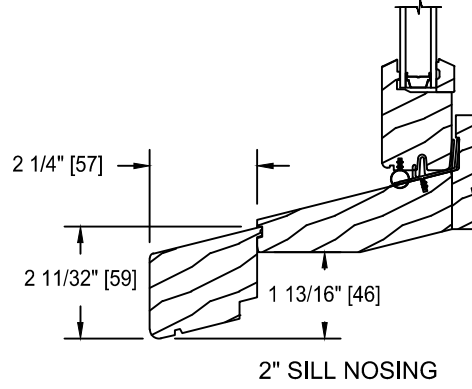
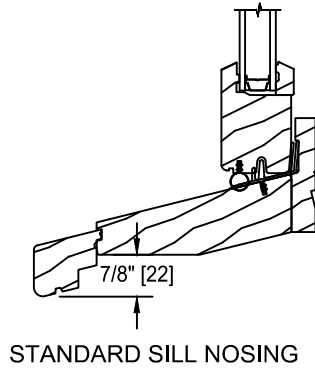


1 X 4 BACKBAND

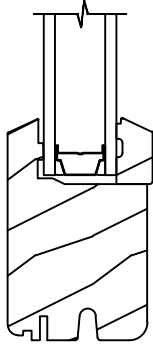


BULLNOSE CASING

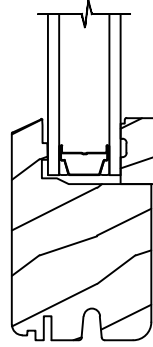
SILL OPTIONS



GLASS STOP OPTIONS

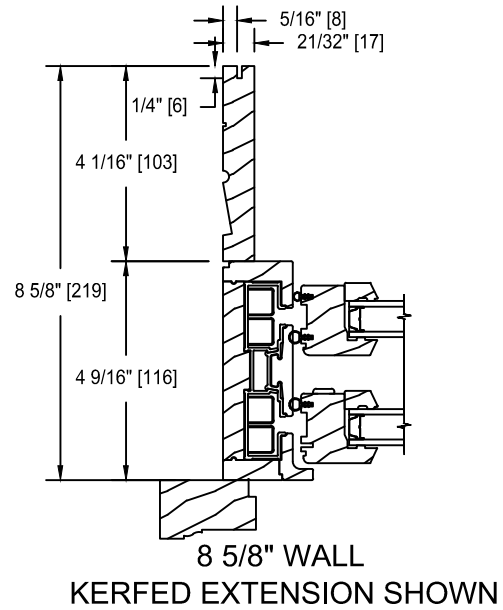
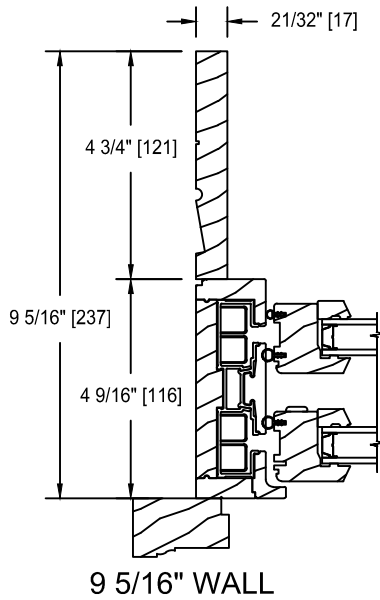
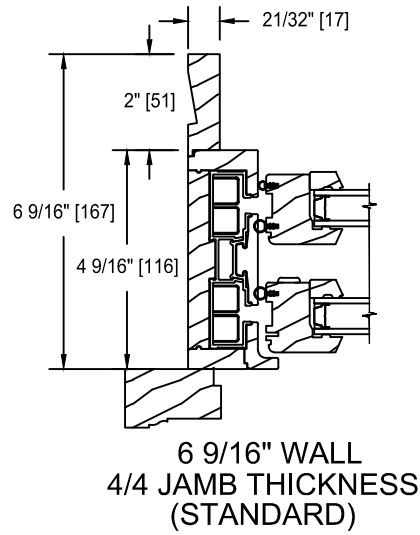
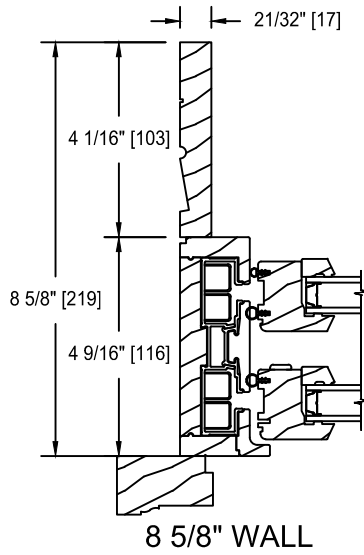


TRADITIONAL

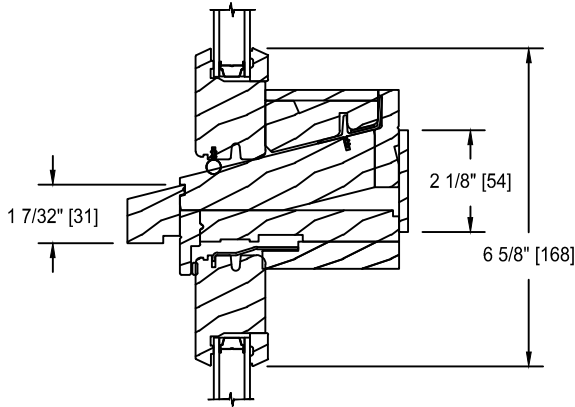


CONTEMPORARY

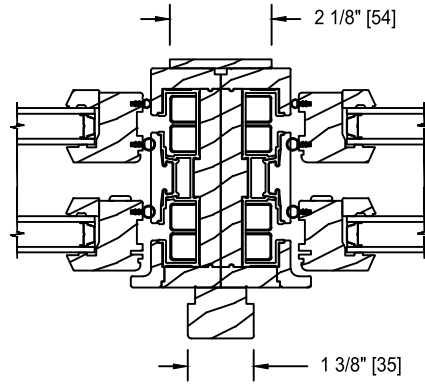
JAMB EXTENDER OPTIONS



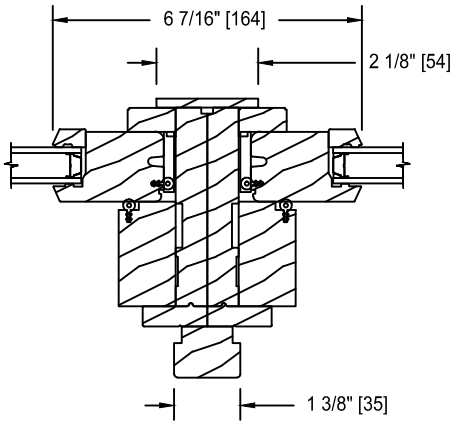
MULLION OPTIONS



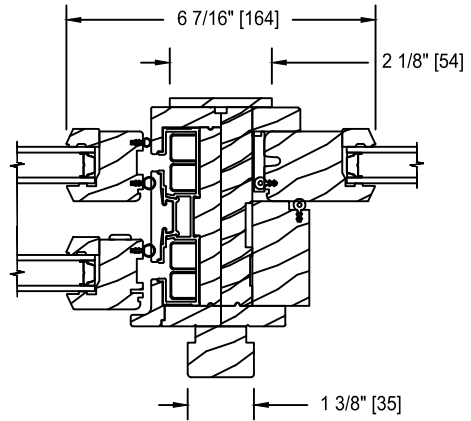
**STATIONARY
OPERATING**



OPERATING / OPERATING

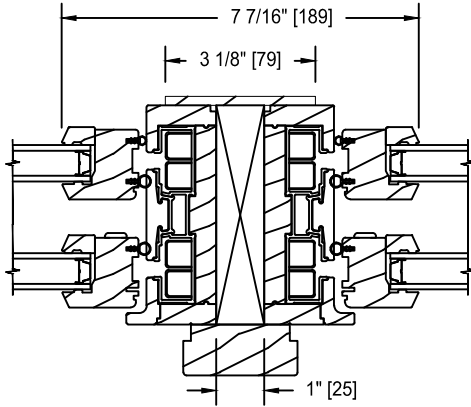


STATIONARY / STATIONARY

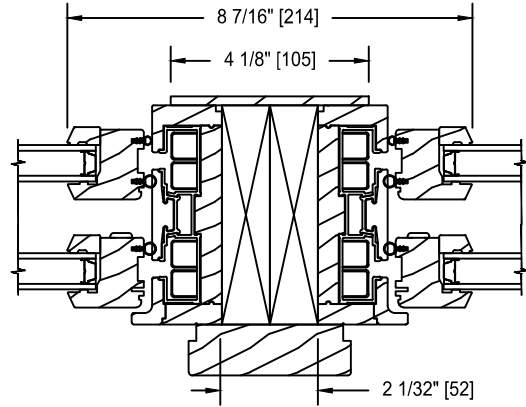


OPERATING / STATIONARY

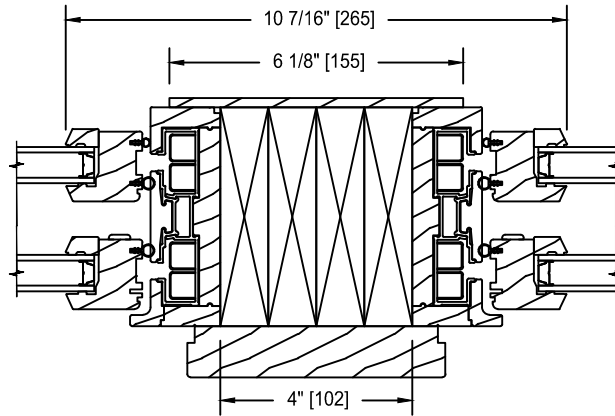
SPREAD MULLION OPTIONS



OPERATING / OPERATING
WITH 1" SOLID SPREAD MULL

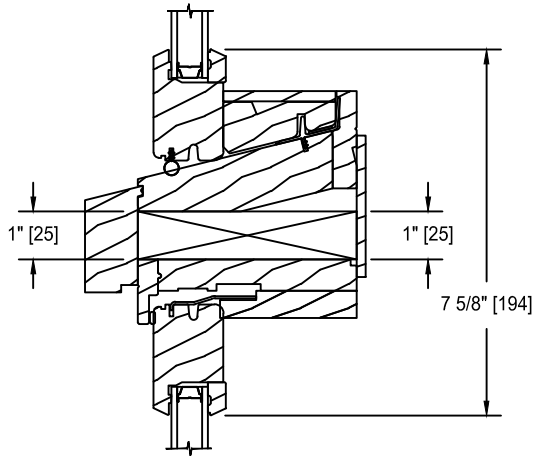


OPERATING / OPERATING
WITH 2" SOLID SPREAD MULL

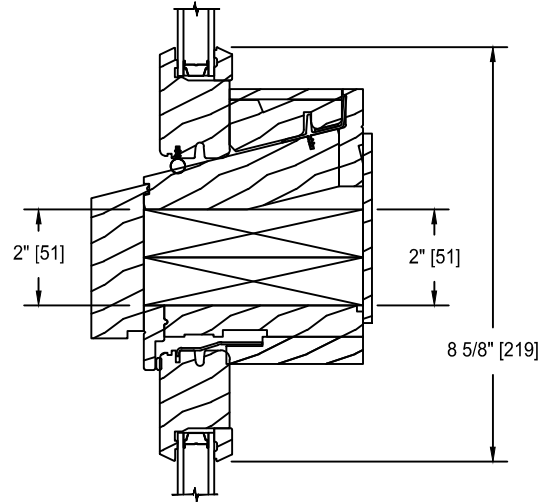


OPERATING / OPERATING
WITH 4" SOLID SPREAD MULL

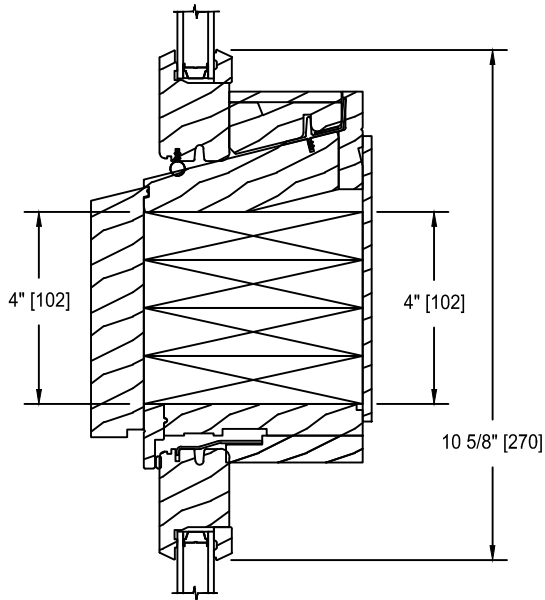
SPREAD MULLION OPTIONS



STATIONARY
OPERATING
WITH 1" SOLID SPREAD MULL



STATIONARY
OPERATING
WITH 2" SOLID SPREAD MULL



STATIONARY
OPERATING
WITH 4" SOLID SPREAD MULL

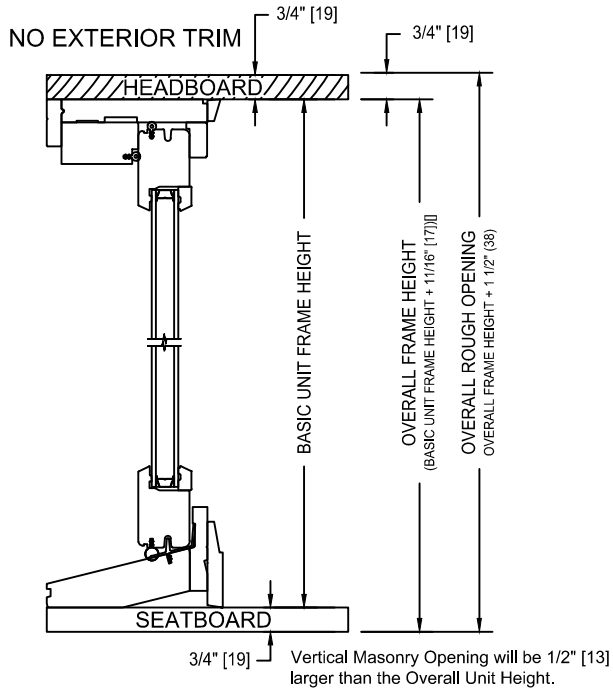
BAY ROUGH OPENING

BAY WINDOW TRIM OPTIONS

The standard offerings for wood double hung bay windows is 'frame only' and brickmould and sillnose. Other trim options subject to approval.

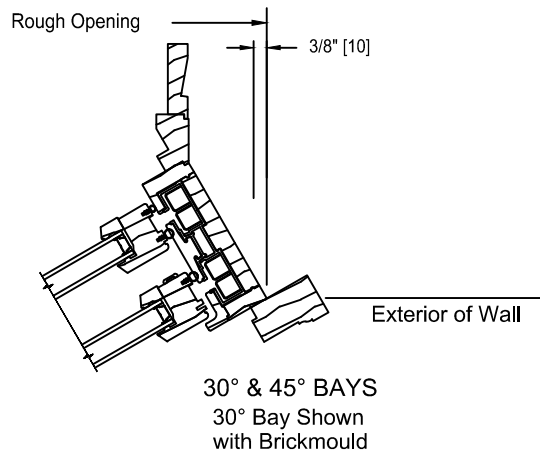
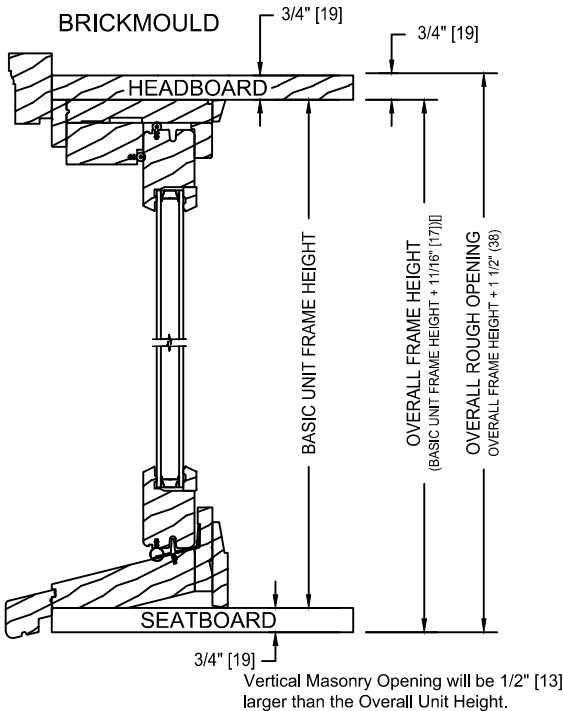
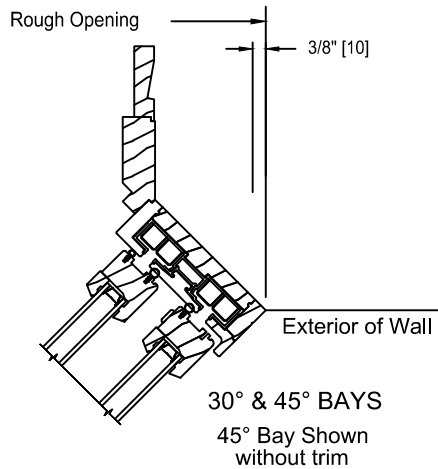
VERTICAL ROUGH OPENING

Rough Opening typical for all Units

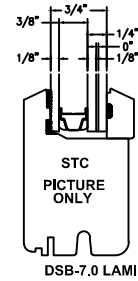
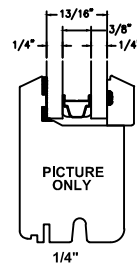
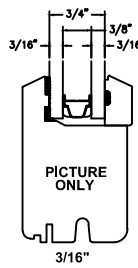
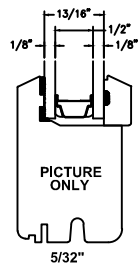
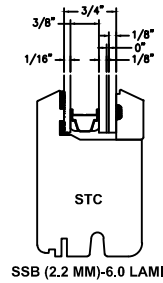
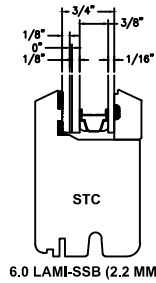
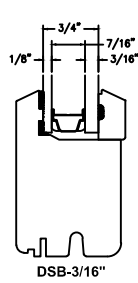
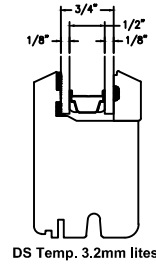
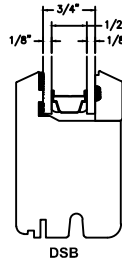
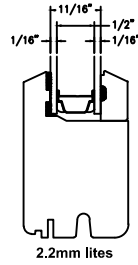


HORIZONTAL ROUGH OPENING

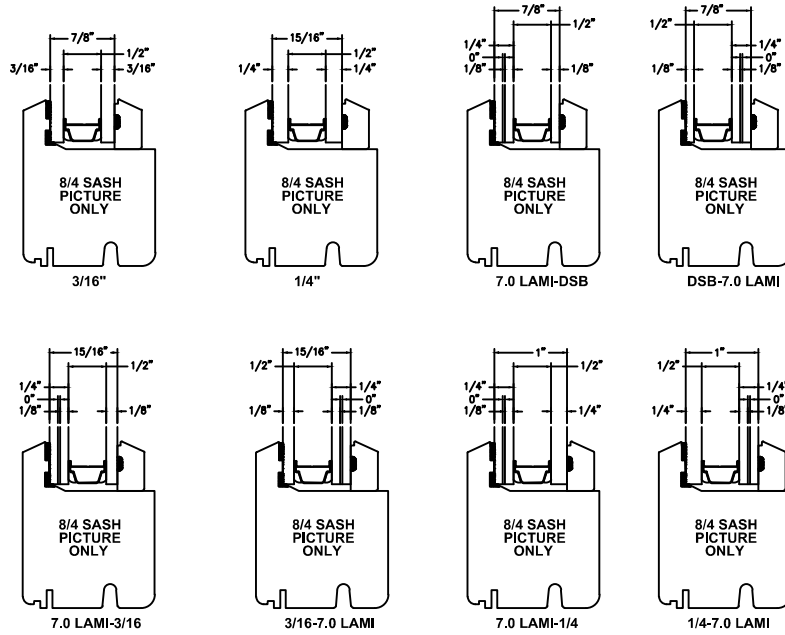
Rough Opening typical for all Units



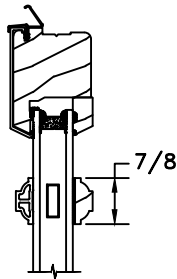
GLAZING OPTIONS



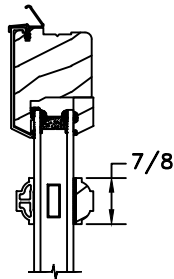
GLAZING OPTIONS



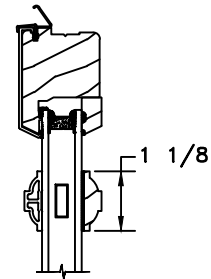
SDL OPTIONS



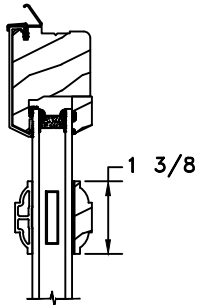
**7/8" BEAD SDL
W/ LIGHT BRONZE
SHADOW BAR**



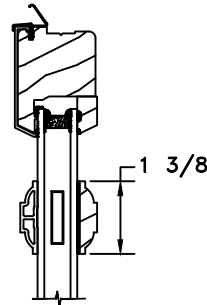
**7/8" BEAD SDL
W/ SILVER
SHADOW BAR**



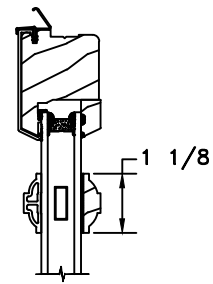
**1 1/8" BEAD SDL
W/ LIGHT BRONZE
SHADOW BAR**



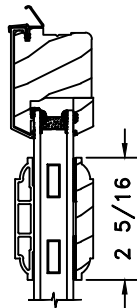
**1 3/8" BEAD SDL
W/ LIGHT BRONZE
SHADOW BAR**



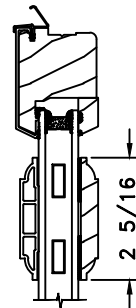
**1 3/8" BEAD SDL
W/ SILVER SHADOW BAR**



**1 1/8" BEAD SDL
W/ SILVER SHADOW BAR**

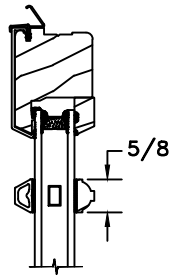


**2-5/16" BEAD SDL
W/ LIGHT BRONZE
SHADOW BAR**

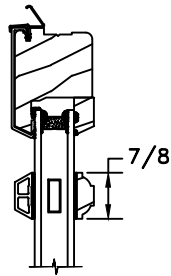


**2-5/16" BEAD SDL
W/ SILVER SHADOW BAR**

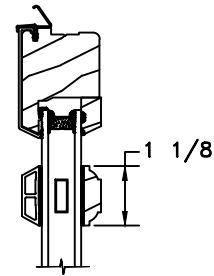
SDL OPTIONS



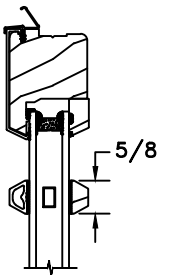
5/8" PUTTY SDL



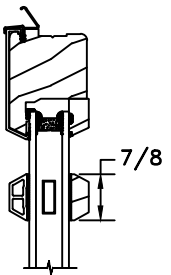
7/8" PUTTY SDL



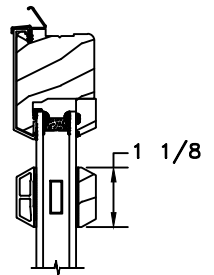
1 1/8" PUTTY SDL



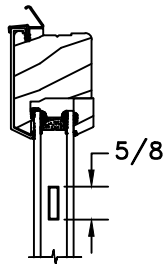
5/8" PUTTY SDL



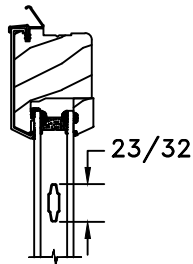
7/8" PUTTY SDL



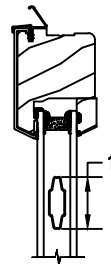
1 1/8" PUTTY SDL



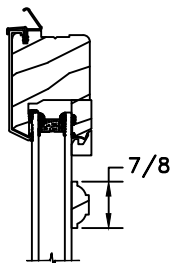
5/8" GBG



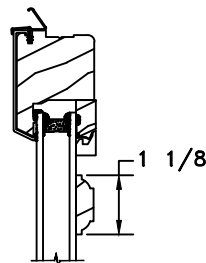
23/32" CONTOUR
GBG



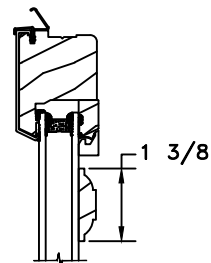
W/ 1" CONTOUR
GBG



FULL SURROUND
7/8" WOOD GRILLE

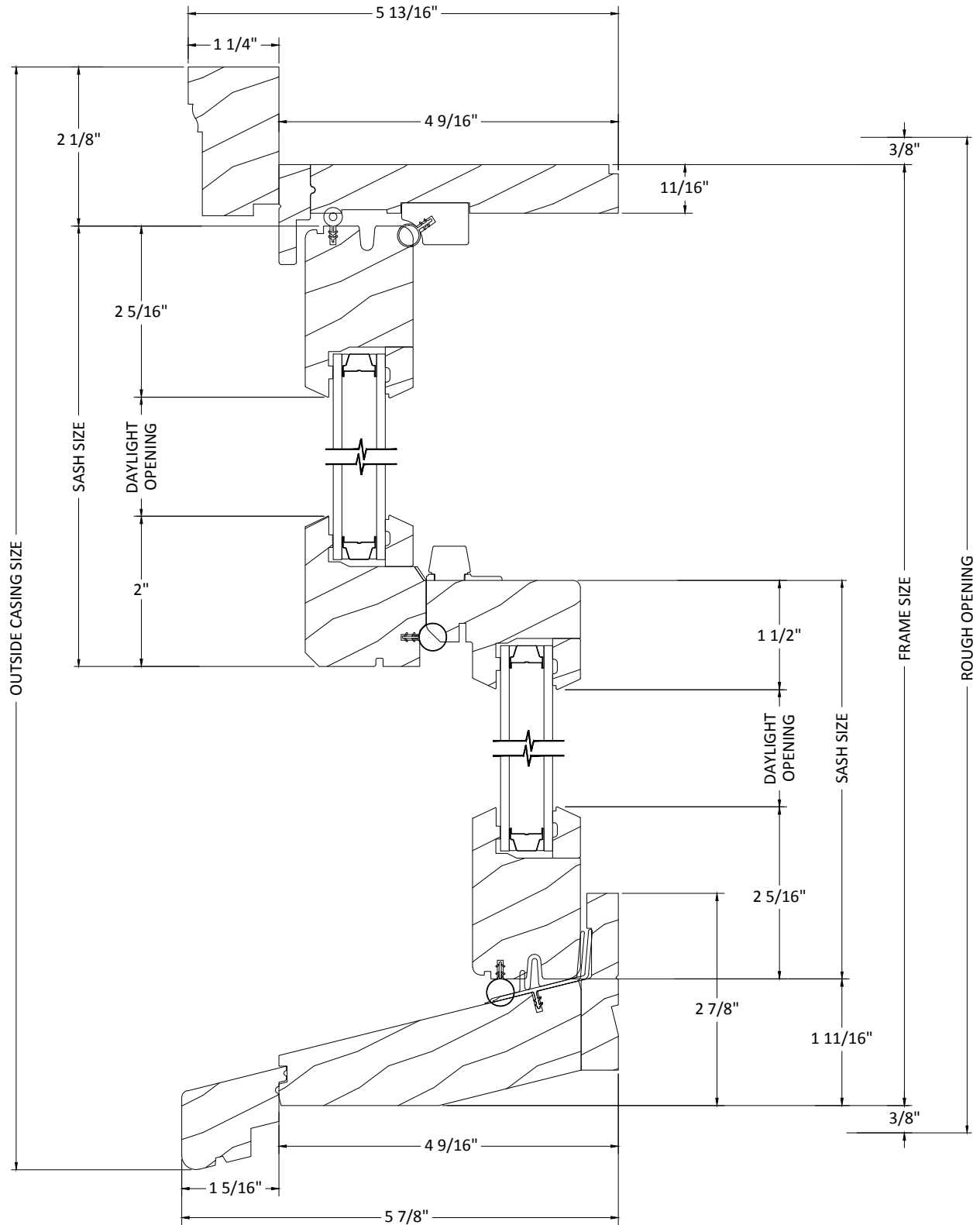


FULL SURROUND
1 1/8" WOOD GRILLE

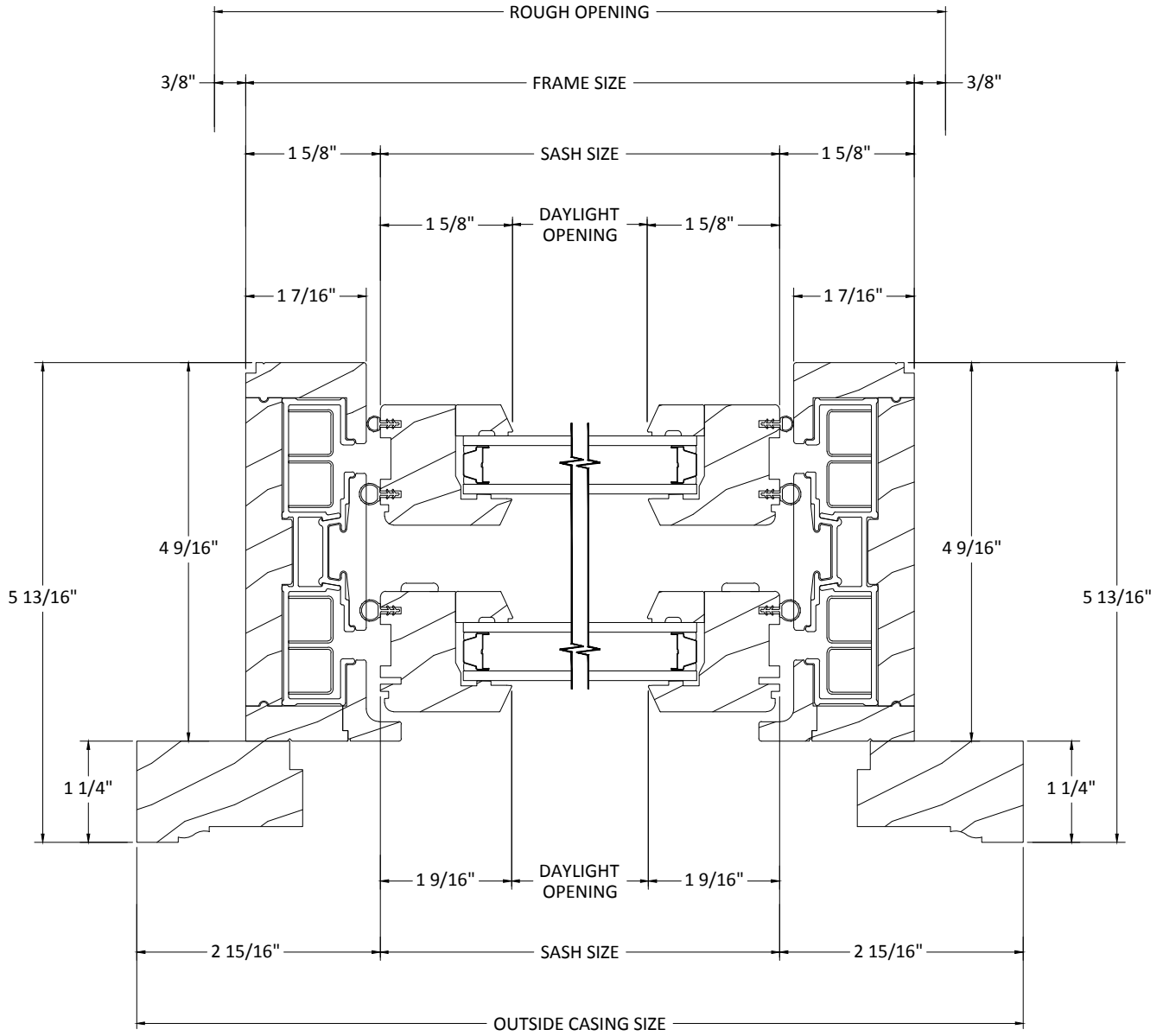


FULL SURROUND
1 3/8" WOOD GRILLE

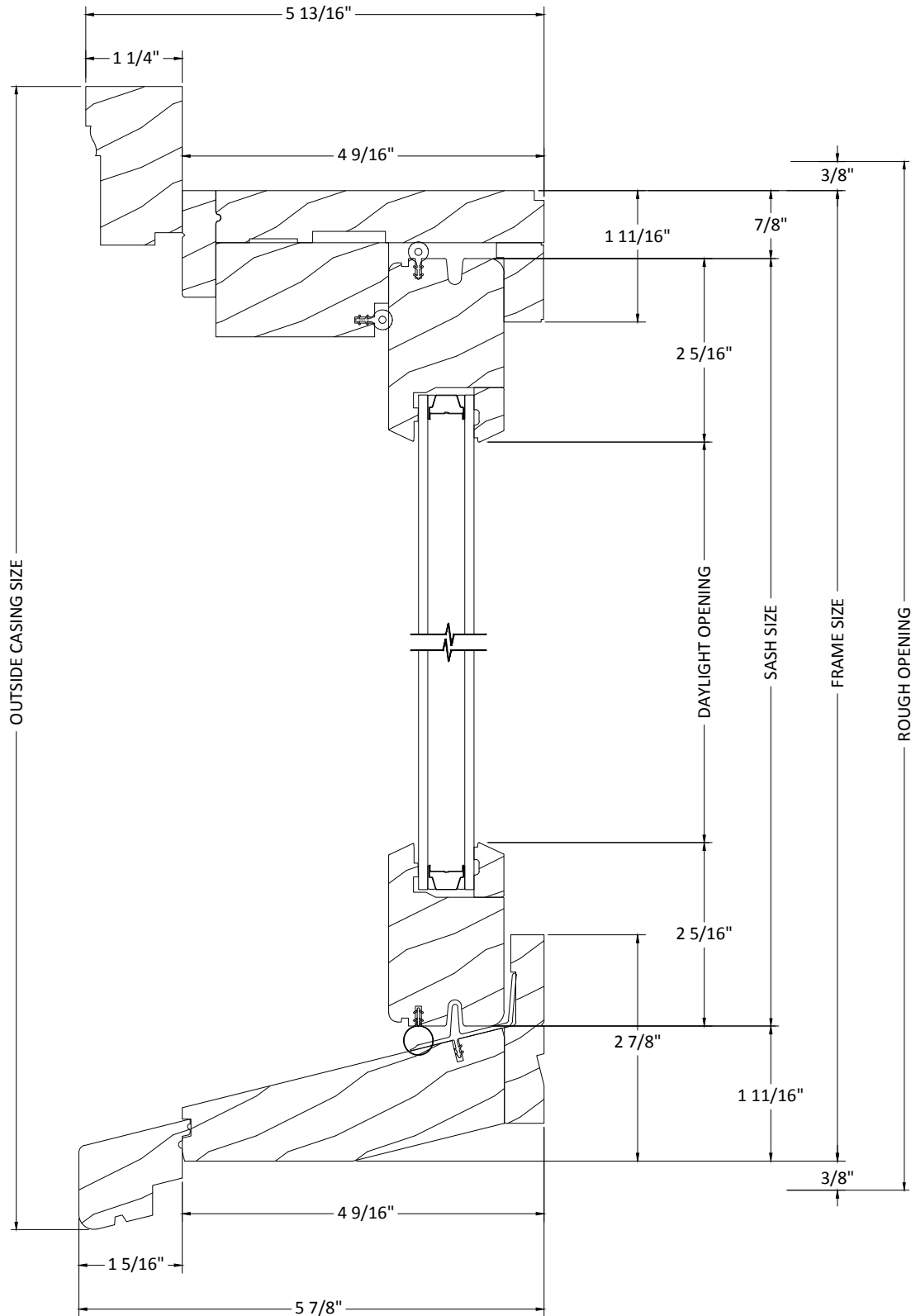
VERTICAL SECTION
DOUBLE HUNG OPERATOR



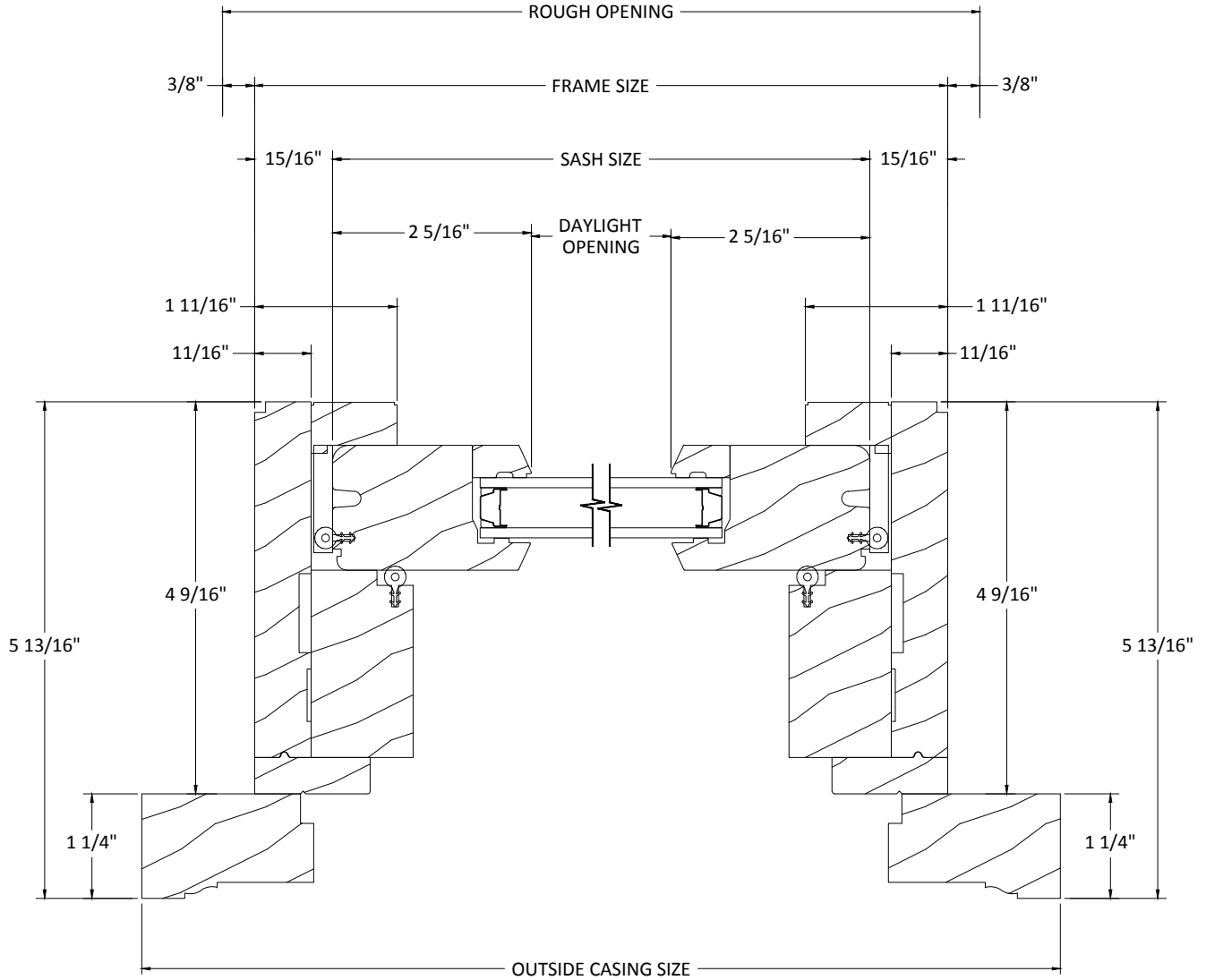
HORIZONTAL SECTION
DOUBLE HUNG OPERATOR



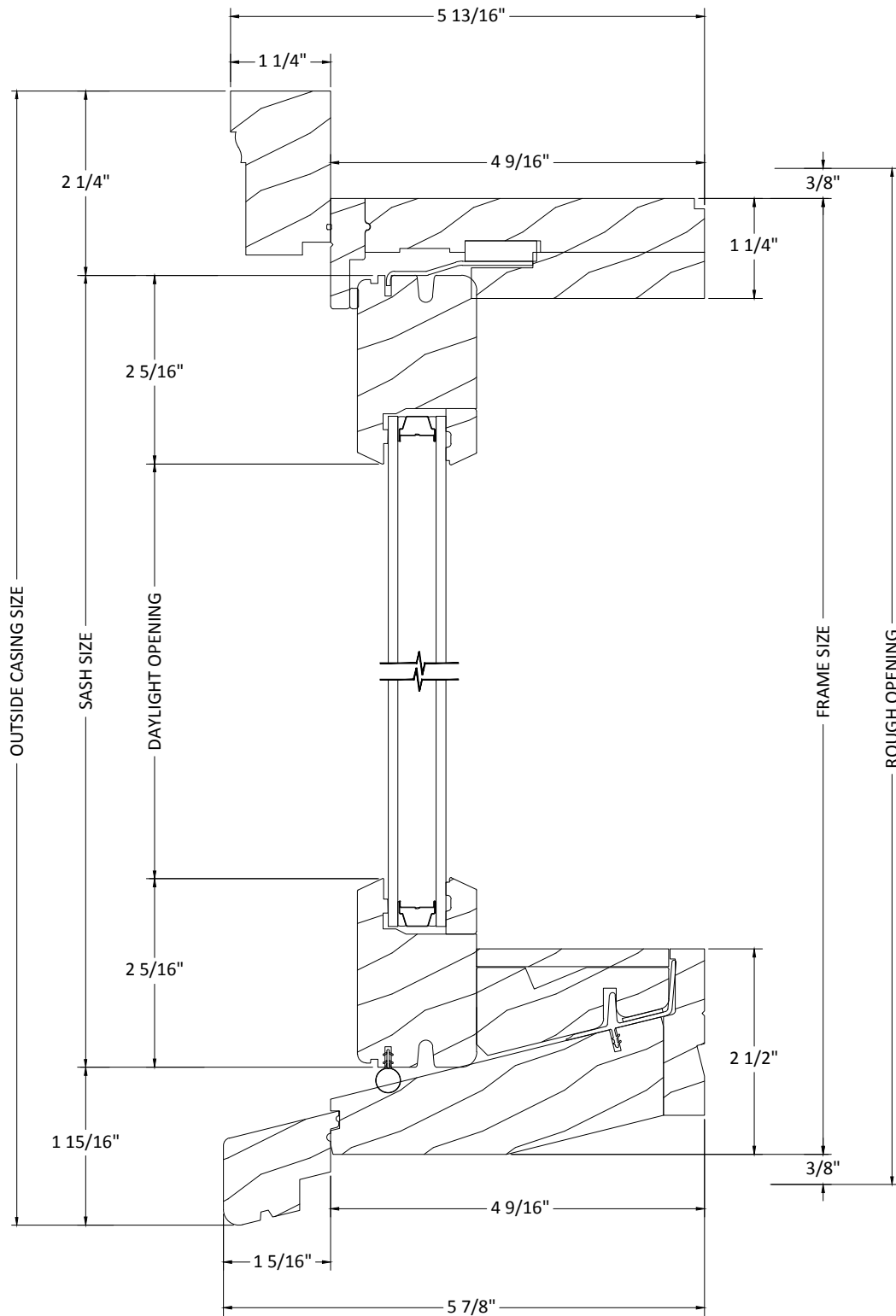
VERTICAL SECTION
DOUBLE HUNG PICTURE



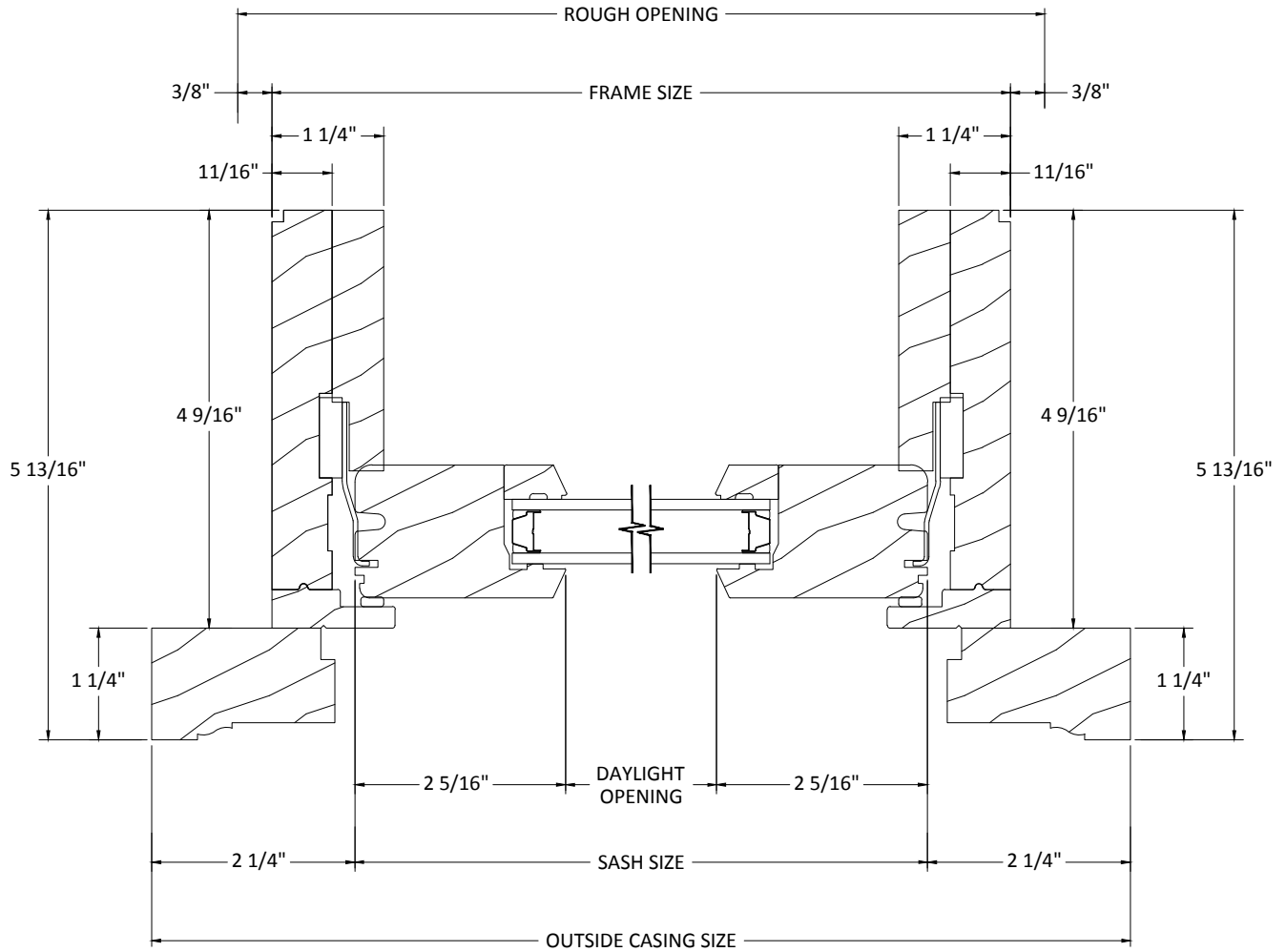
HORIZONTAL SECTION
DOUBLE HUNG PICTURE



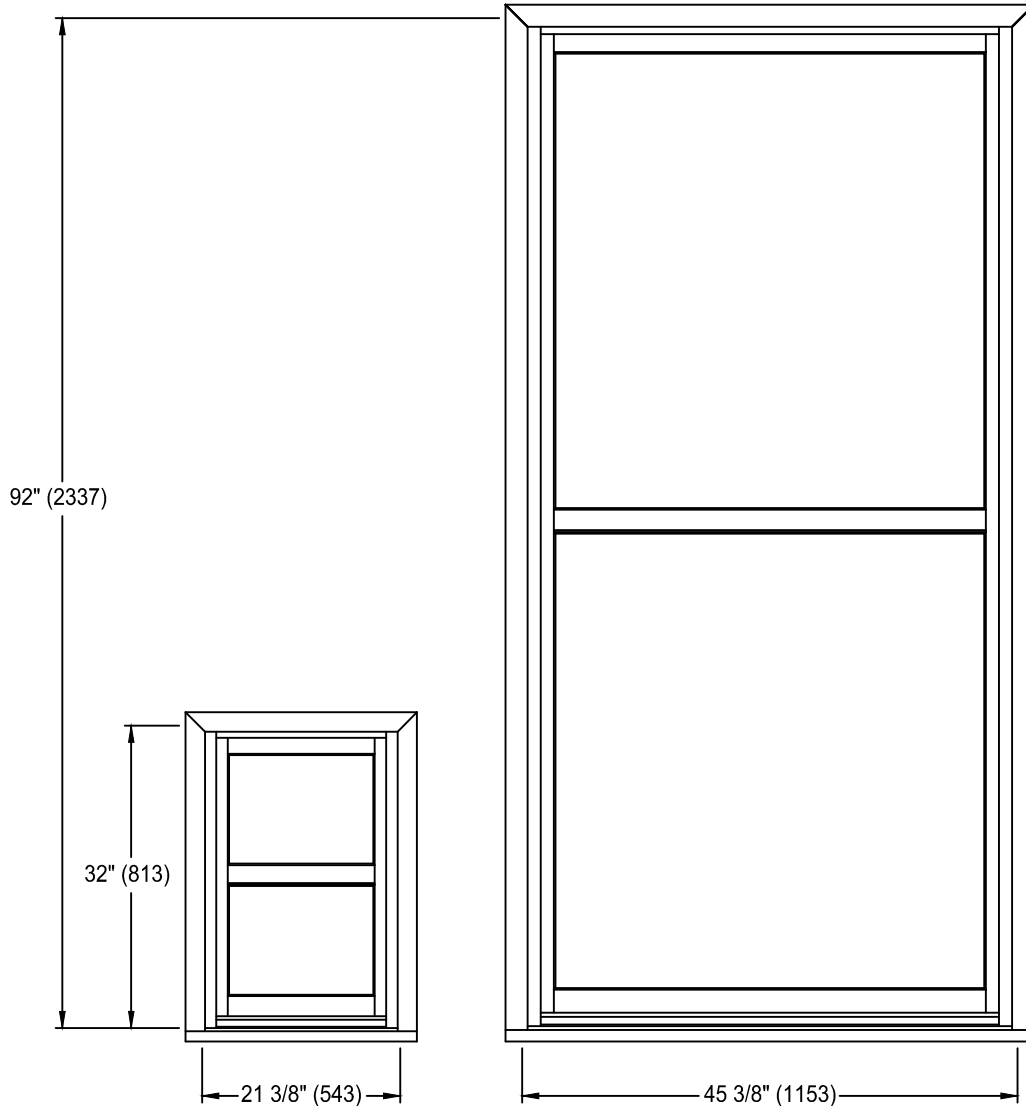
VERTICAL SECTION
DOUBLE HUNG TRANSOM



HORIZONTAL SECTION
DOUBLE HUNG TRANSOM



MIN-MAX SIZING



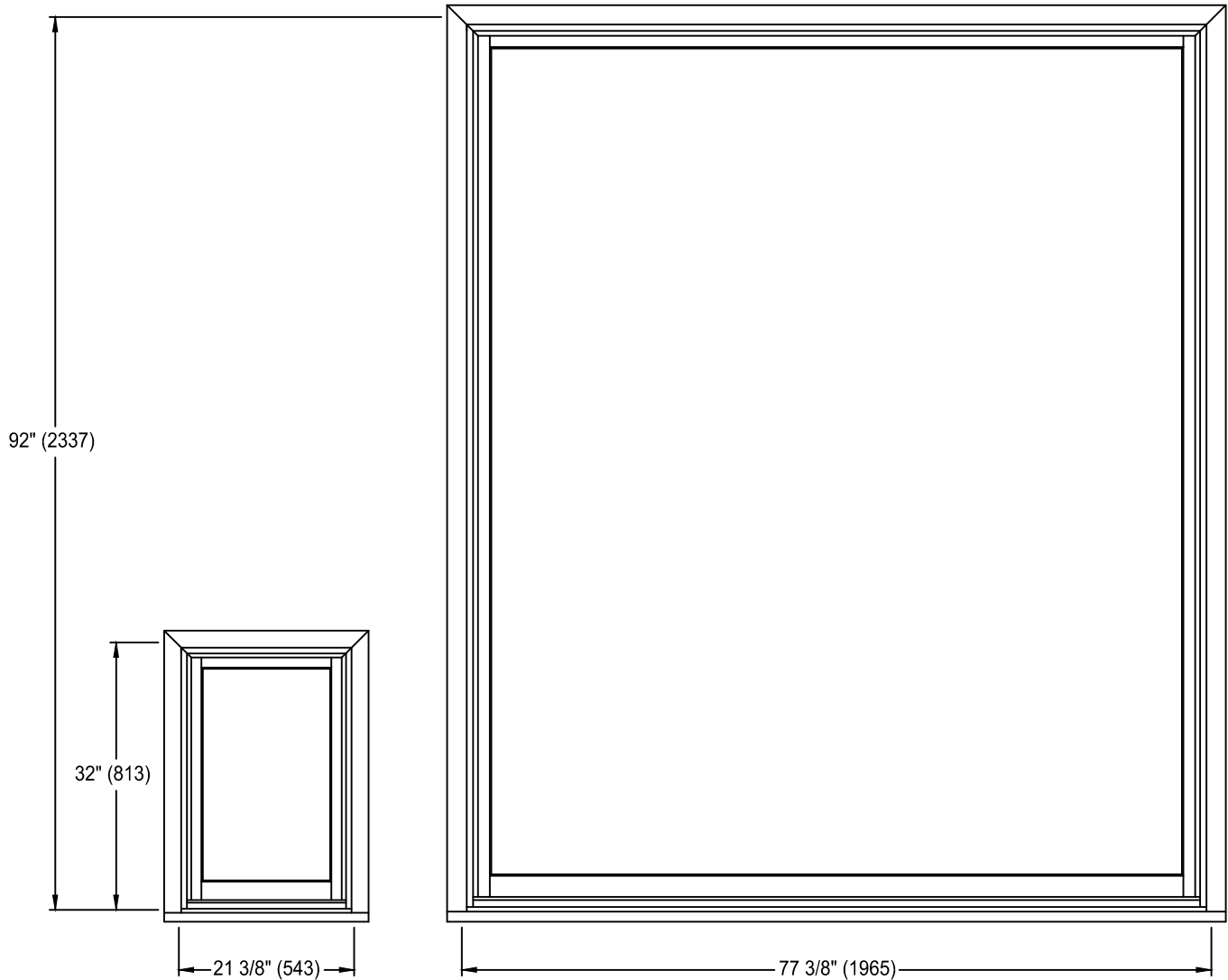
Standard widths for the Sitrine Wood Double Hung:

21 3/8"(453mm), 25 3/8"(645mm), 29 3/8"(670mm), 31 3/8"(797mm), 33 3/8"(848mm),
37 3/8"(949mm), 41 3/8"(1051mm), 45 3/8"(1153mm).

Standard heights for the Sitrine Wood Double Hung:

32"(813mm), 36"(914mm), 40"(1016mm), 44"(1118mm), 48"(1219mm),
52"(1321mm), 56"(1422mm), 60"(1524mm), 64"(1626mm), 68"(1727mm),
72"(1829mm), 76"(1930mm), 80"(2032mm), 88"(2235mm), 92"(2337mm).

MIN-MAX SIZING



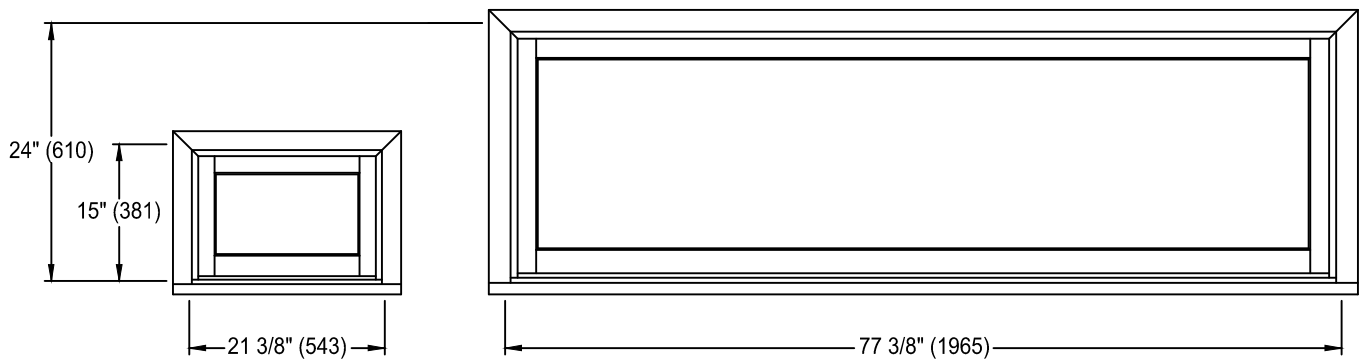
Standard widths for the Sitrine Wood Double Hung Picture:

21 3/8"(453mm), 25 3/8"(645mm), 29 3/8"(670mm), 31 3/8"(797mm), 33 3/8"(848mm),
37 3/8"(949mm), 41 3/8"(1051mm), 45 3/8"(1153mm), 49 3/8"(1254), 53 3/8"(1356),
61 3/8"(1559), 69 3/8"(1762), 77 3/8"(1965).

Standard heights for the Sitrine Wood Double Hung Picture:

32"(813mm), 36"(914mm), 40"(1016mm), 44"(1118mm), 48"(1219mm),
52"(1321mm), 56"(1422mm), 60"(1524mm), 64"(1626mm), 68"(1727mm),
72"(1829mm), 76"(1930mm), 80"(2032mm), 88"(2235mm), 92"(2337mm).

MIN-MAX SIZING



Standard widths for the Sitrine Wood Double Hung Transom:
21 3/8"(453mm), 25 3/8"(645mm), 29 3/8"(670mm), 31 3/8"(797mm), 33 3/8"(848mm),
37 3/8"(949mm), 41 3/8"(1051mm), 45 3/8"(1153mm), 49 3/8"(1254mm), 53 3/8"(1356mm),
61 3/8"(1559mm), 69 3/8"(1762mm), 77 3/8"(1965mm).

Standard heights for the Sitrine Wood Double Hung Transom:
15"(381mm), 18"(457mm), 24"(610mm).