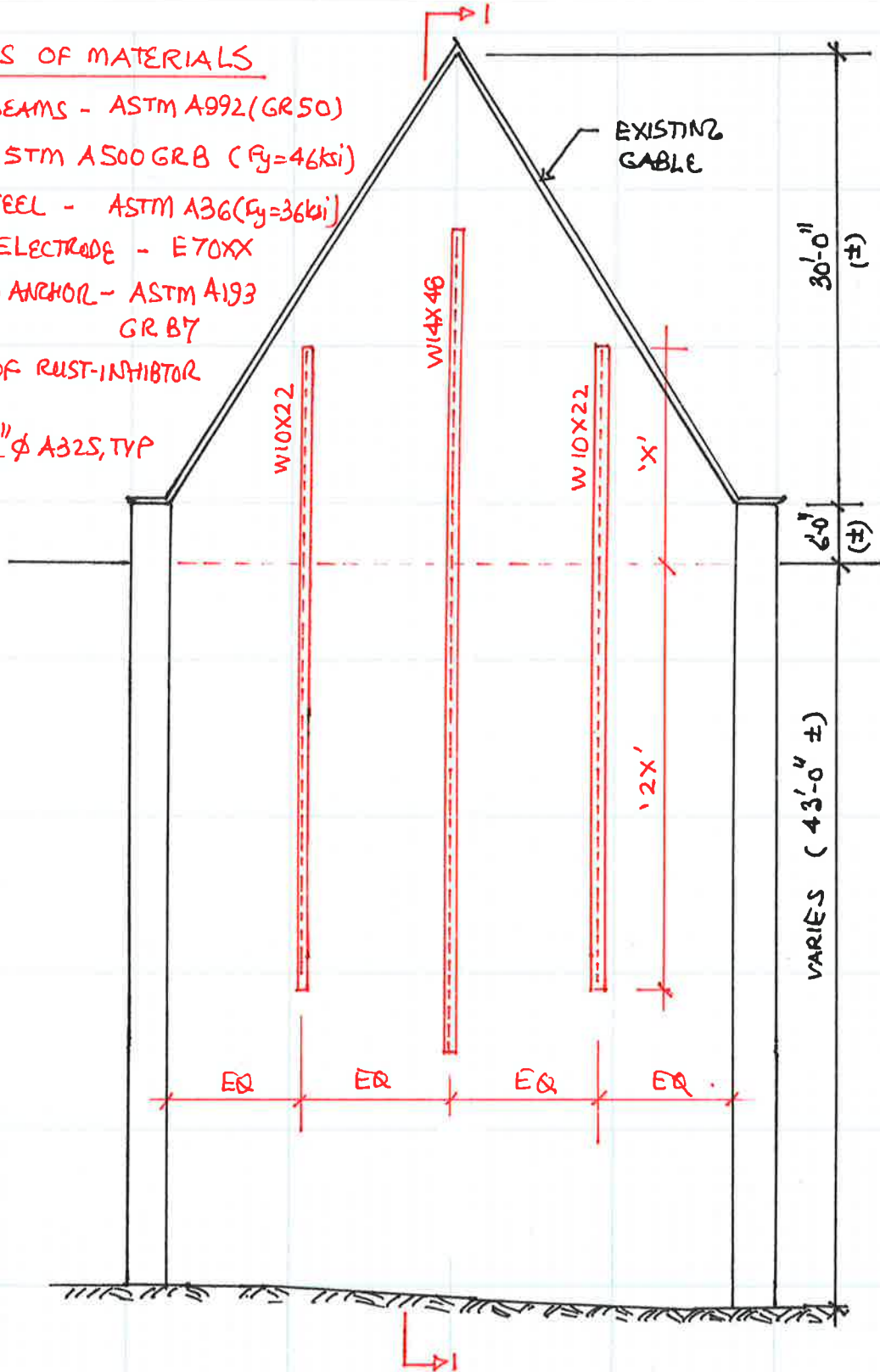




Project Name TRINITY CHURCH WALL BRACING		Job No. 18363	
Calculation Section WALL BRACING		Sheet No. 101	
Calculated by SS	Date 06.14.18	Checked by	Date

STRENGTHS OF MATERIALS

- ALL 'W' BEAMS - ASTM A992 (GR50)
- HSS - ASTM A500 GR B ($F_y = 46 \text{ ksi}$)
- MISC. STEEL - ASTM A36 ($F_y = 36 \text{ ksi}$)
- WELDING ELECTRODE - E70XX
- THREADED ANCHOR - ASTM A193 GR B7
- (1) COAT OF RUST-INHIBITOR PAINT
- BOLTS - $\frac{3}{4}'' \phi$ A325, TYP



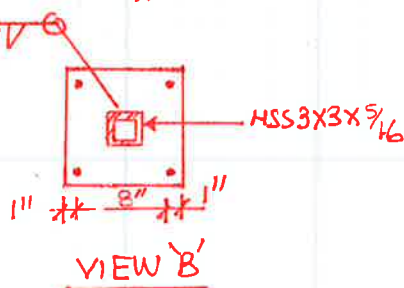
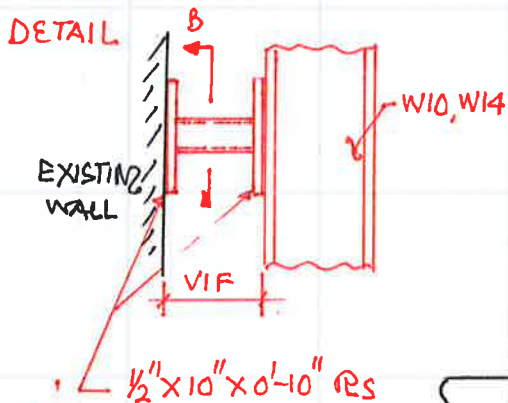
EXIST'G GABLE MASONRY ELEVATION

(W/ NEW BEAM BRACING) NOSCALE.
(NORTH, SOUTH, AND WEST ELEVATIONS)

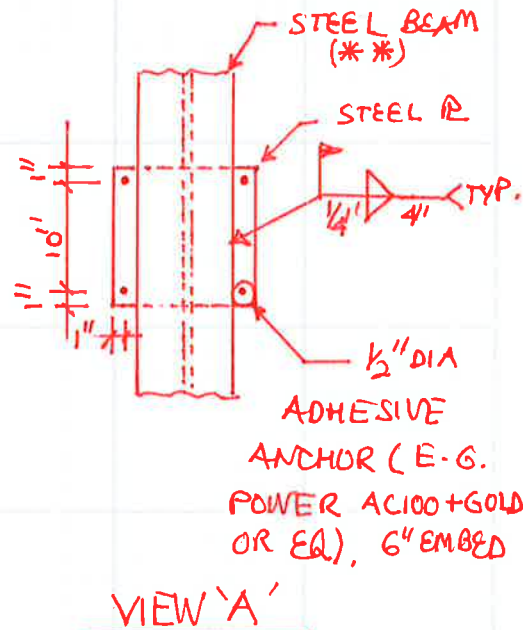
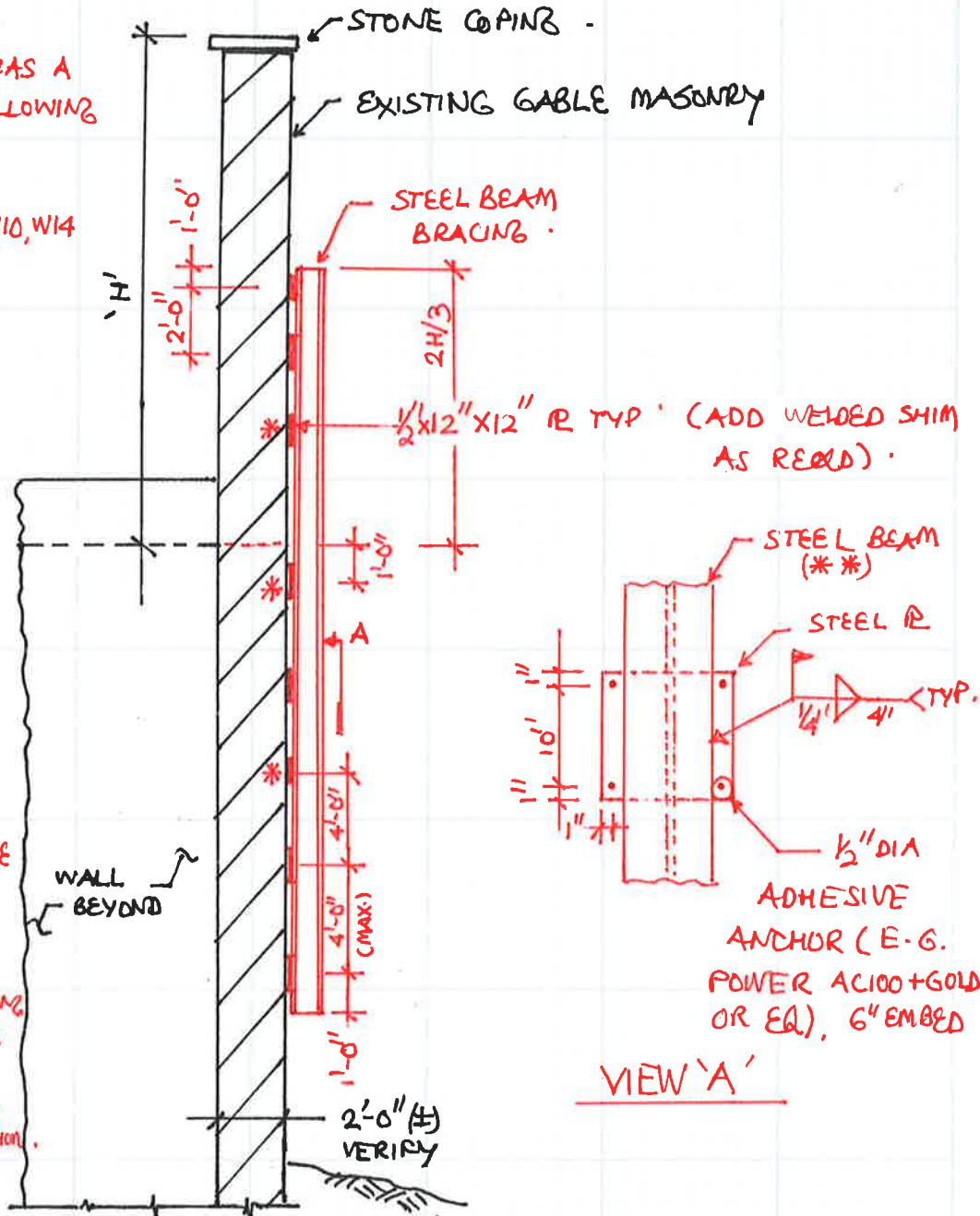
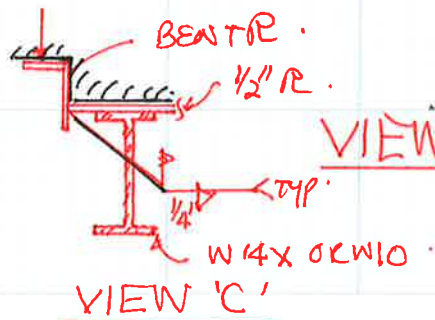
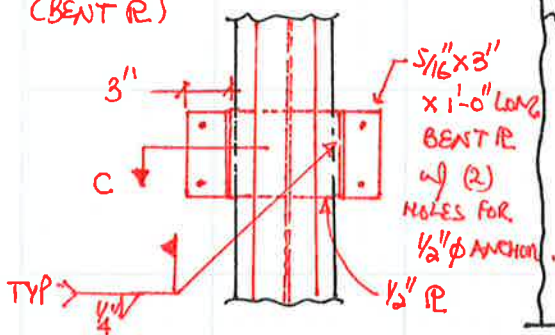


Project Name TRINITY CHURCH WALL BRACING		Job No. 18363	
Calculation Section WALL BRACING DETAIL		Sheet No. 102	
Calculated by SS	Date 06.14.18	Checked by	Date

* WHERE EXISTING WALL HAS A SET BACK, PLS. USE FOLLOWING DETAIL



** IF BEAM FALLS OVER THIN BRICK PIER, PROVIDE CLIPS AS SHOWN BELOW. (BENT RE)



VIEW I-I WALL BRACING DETAIL
NO SCALE