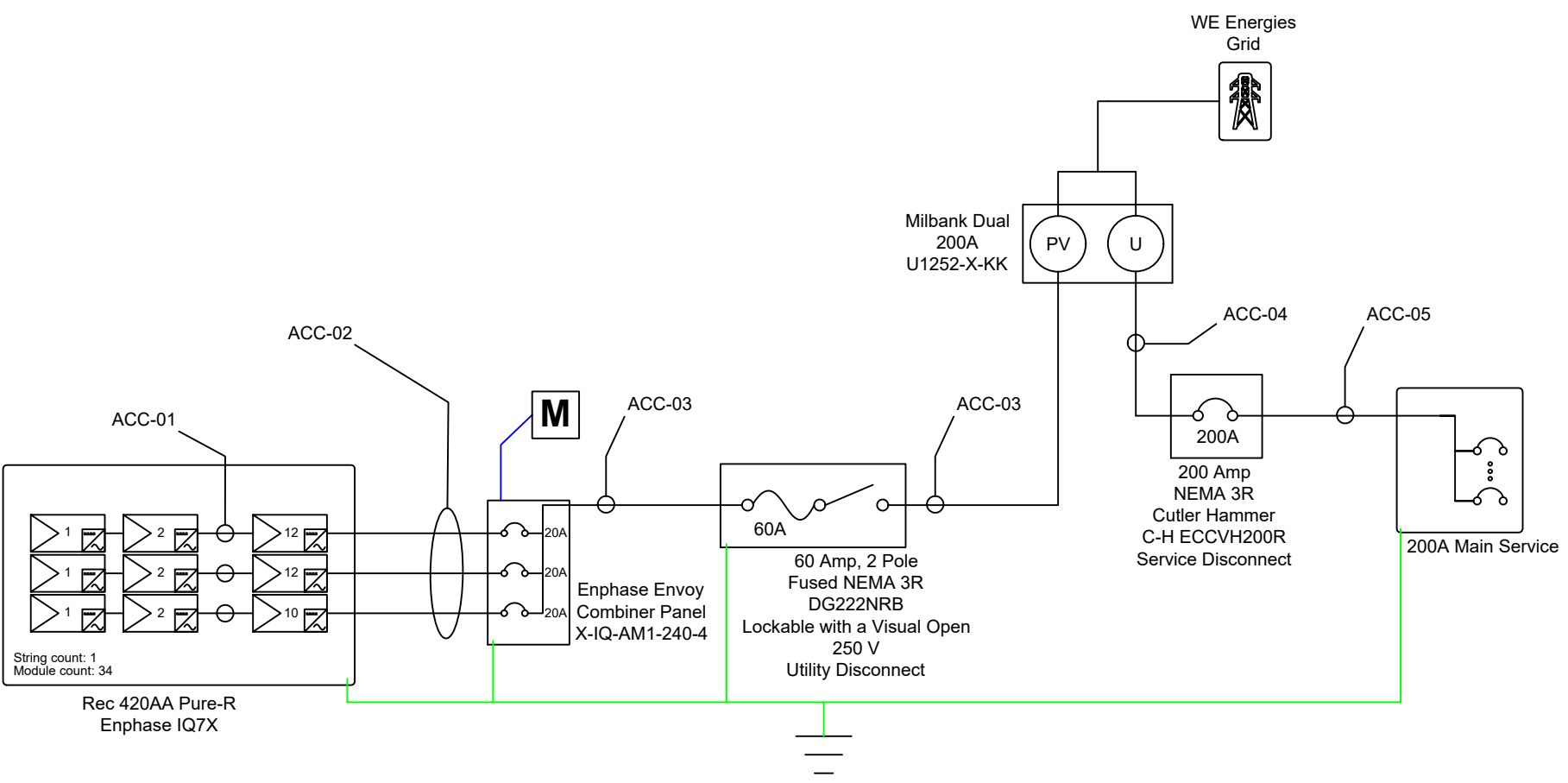


Hambrook- 14.28 kWdc, 10.71 kWac, Milwaukee



Conductor Schedule									Conduit Schedule	
ID	Sets	Phase Quantity	Color & Size	Insulation	Material	Voltage Drop	Neutral	Ground	Size	Type
ACC-01	1	2	BR #12 AWG	THWN	Cu	0.51%	-	#6 THWN Cu	-	-
ACC-02	2	2	BR #10 AWG	THWN	Cu	1.15%	-	#6 THWN Cu	3/4"	EMT
ACC-03	1	2	BR #10 AWG	THWN	Cu	.05%	#10 THWN Cu	#6 THWN Cu	3/4"	EMT
ACC-04	1	2	BR 3/0 AWG	THWN	Cu	.05%	3/0 THWN Cu	-	2"	EMT
ACC-05	1	2	BR 3/0 AWG	THWN	Cu	.05%	3/0 THWN Cu	#6 THWN Cu	2"	EMT

Module Specifications	
Rec Solar 420AA Pure-R (QTY:34)	
STC Rating	420 W
Vmp	50 V
Imp	8.4 A
Voc	59.4 V
Isc	8.8 A

Array Specifications (14.28 kWdc Total)		
2 Strings of 12 Modules / 1 String of 10 Modules		
Max DC Power Rating	5.04 kW	4.20 kW
Operating AC Voltage	240 V	240 V
Operating AC Current	15.72 A	13.10 A
Max AC System Voltage	240 V	240 V
AC Short Circuit Current	20 A	20 A

Inverter Specifications	
Enphase IQ7X	
Max AC Power Rating	315W / 10.71 kWac Total
Max DC Input Voltage	79.5 V
Max DC Input Current	10 A
Nominal AC Operating Voltage	240 V
Max AC Operating Current	1.31A Each / 55.68 A Total

Customer: John Hambrook
Address: 2015 N Lake Drive
City: Milwaukee
State: WI
Zip Code: 53202
Contact: John Hambrook
Phone: (414) 732-6720
Email: johnhambrook@gmail.com

Project Number: 23R-142 System Size: 14.28kWdc
Designer: 920.838.6610

Mike Gietman
One Line Diagram

Revision: 2 Date: 10.4.23