



TABLE OF CONTENTS

Product Information

| | |
|------------------------------|---|
| General Information..... | 2 |
| Clear Opening | 3 |
| Lite Cut Information | 4 |
| Operation and Sash Tilt..... | 5 |
| Unit Sizing | 6 |

Options

| | |
|---|----|
| GBG/Surround Options | 7 |
| SDL Options | 8 |
| Trim Options..... | 9 |
| Sill Nose Options | 10 |
| Bottom Rail & Glass Stop Options | 11 |
| Jamb Extender & Prep for Stool Options..... | 12 |
| Mullion Options | 13 |
| Bay Rough Opening | 16 |

Sizing Details

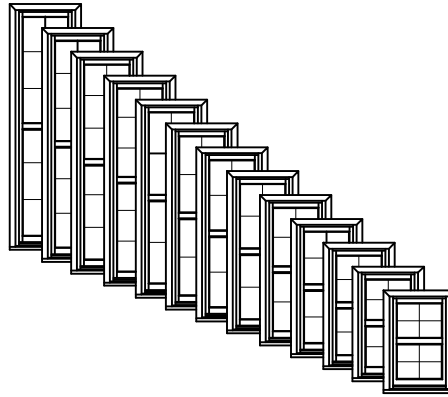
| | |
|------------------------------|----|
| Operator Min-Max Sizing..... | 17 |
| Picture Min-Max Sizing..... | 18 |
| Transom Min-Max Sizing..... | 19 |

Section Details

| | |
|---------------------------------|----|
| Operator: | |
| Vertical Section | 20 |
| Horizontal Section..... | 21 |
| Radius - Vertical Section..... | 22 |
| Segment - Vertical Section..... | 23 |
| Picture: | |
| Vertical Section | 24 |
| Horizontal Section..... | 25 |
| Radius - Vertical Section..... | 26 |
| Segment - Vertical Section..... | 27 |
| Transom: | |
| Vertical Section | 28 |
| Horizontal Section..... | 29 |
| Radius - Vertical Section..... | 30 |
| Segment - Vertical Section..... | 31 |



GENERAL INFORMATION



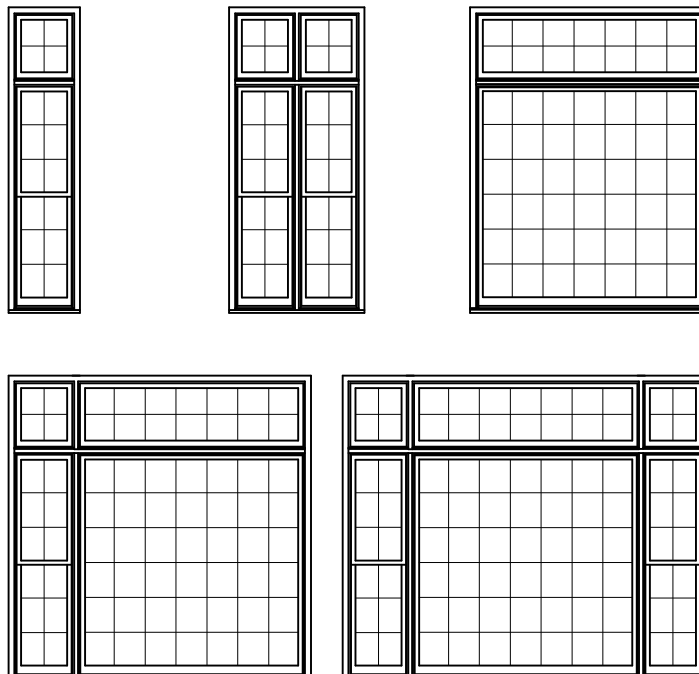
Dimensional Windows

Wood Double-Hung windows may be specified as "dimensional", by adjusting the desired rough opening width or height.

Wood Double-Hung windows feature fully operating upper and lower sash. Counterbalancing is achieved with block and tackle spring extension systems hidden in weatherable PVC jamb liners. Operating units are supplied with cam-type sash locks installed. Die-cast lower sash lifts supplied for field installation are an option. Recessed sash retainers provide simple sash installation and removal. There are several hardware finish options. Refer to the Specifications for available finish options.

Multiple Assemblies

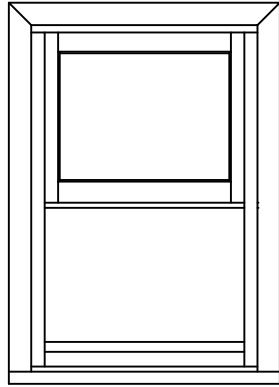
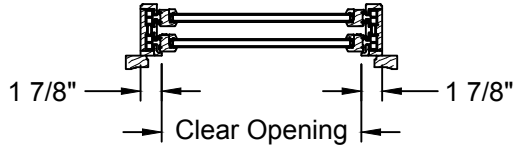
Wood Double-Hung windows may be mulled beside other wood double-hungs or wood picture windows, or below wood transom windows, to fulfill a wide variety of needs.



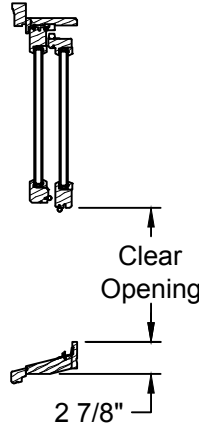


CLEAR OPENING

Clear Opening Layout



Double-Hung Window



Double-Hung
Clear Opening Formula

Interior Glazed Sash
Vertical

$(\text{Frame Height } / 2) - 2 \frac{27}{32}'' = \text{Clear Opening}$

Horizontal

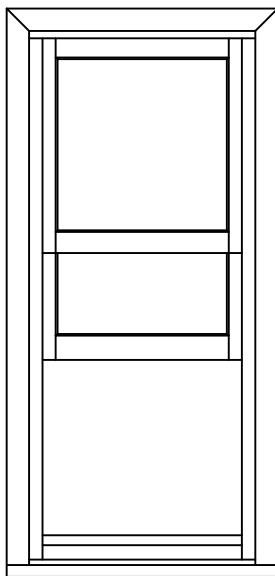
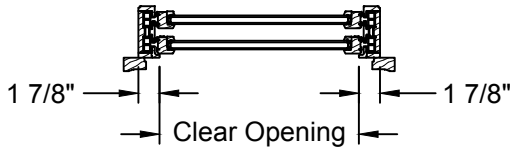
$\text{Frame} - 3 \frac{3}{4}'' = \text{Clear Opening}$

Exterior Glazed Sash
Vertical

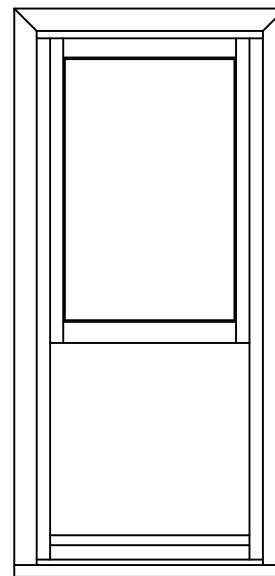
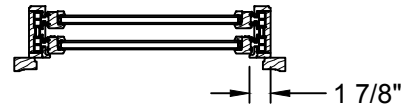
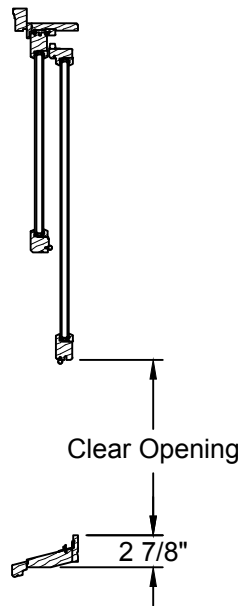
$(\text{Frame Height } / 2) - 2 \frac{27}{32}'' = \text{Clear Opening}$

Horizontal

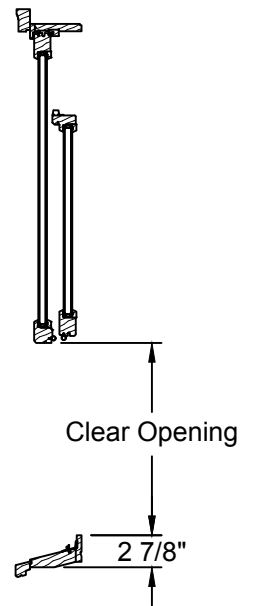
$\text{Frame} - 3 \frac{3}{4}'' = \text{Clear Opening}$



Cottage Window



Reverse Cottage Window



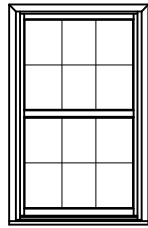
Cottage & Reverse Cottage

Consult the Design Data Tables for clear opening information. For dimensional units, contact Jeld-Wen - Hawkins Window Division Technical Services Department for Clear Opening information.

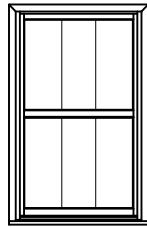


LITE CUT INFORMATION

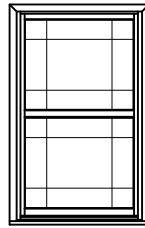
Siteline Wood Double-Hung Windows are available with removable Grilles, Grilles Between Glass (GBG), or Simulated Divided Lites (SDL) in various widths and styles.



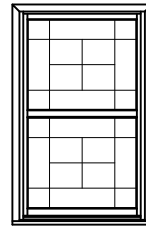
Rectangular



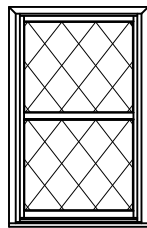
Vertical



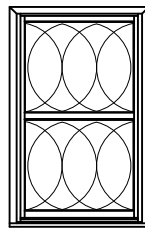
Prairie



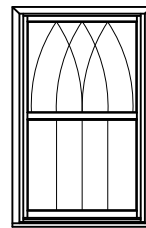
Uneven



Diamond



Radius



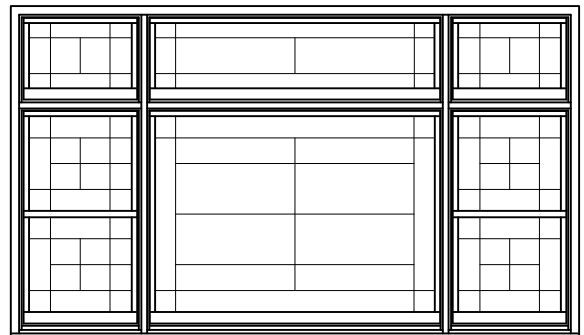
Gothic

Lite Cut Options

Special lite cut patterns can include a wide variety of straight line and radius patterns. The illustrations shown above represent just a few of the possibilities. Rectangular, horizontal, vertical and Prairie lite patterns are available in all standard size windows. Uneven, diamond, radius and Gothic lite cuts are available, subject to approval.

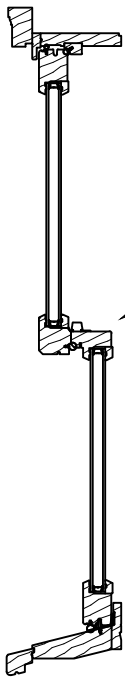
Bar Alignment

Alignment of divided lite muntin bars from one window to the next is often required by fine architectural design. Wood grilles, GBG, and SDL's may be specified with muntin bars aligned.



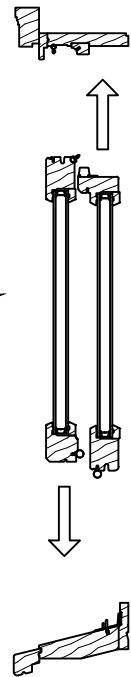


OPERATION AND SASH TILT



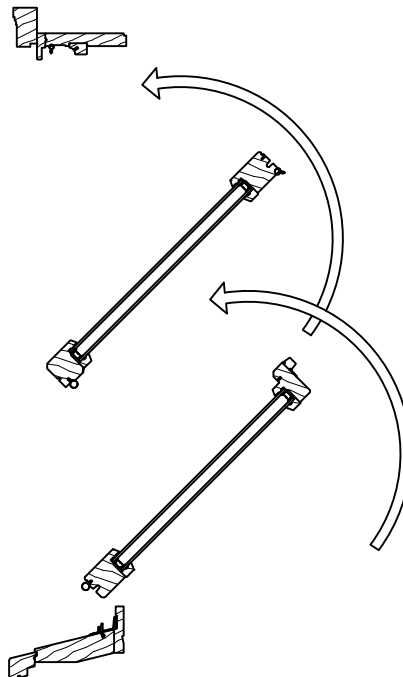
Double-Hung Operation:
When the sash are locked at the check rails the sash are closed and sealed in the sash opening of the frame.

When the sash are unlocked the lower sash travels vertically to any position desired. The upper sash can also be positioned as desired.



Sash Tilting for Washing

The Premium Double-Hung window will allow the sash to be tilted or removed for easy cleaning.





UNIT SIZING

General Notes:

Unit size is always the maximum size of the window with or without trim and does not include nail fin.

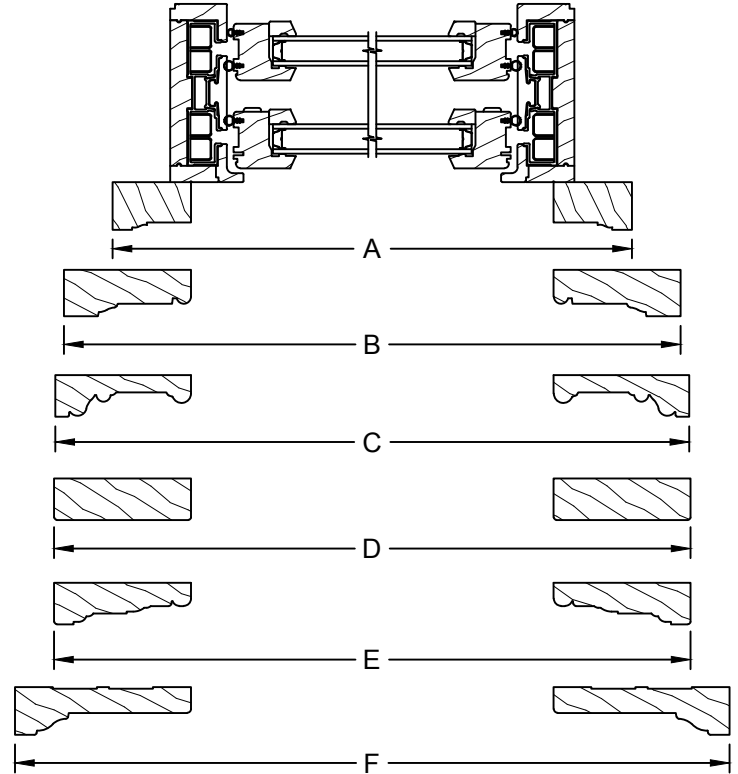
Masonry Opening:

Masonry opening is always 1/2" over (height and width) the unit size or the outside of the trim of the window.

Rough Opening:

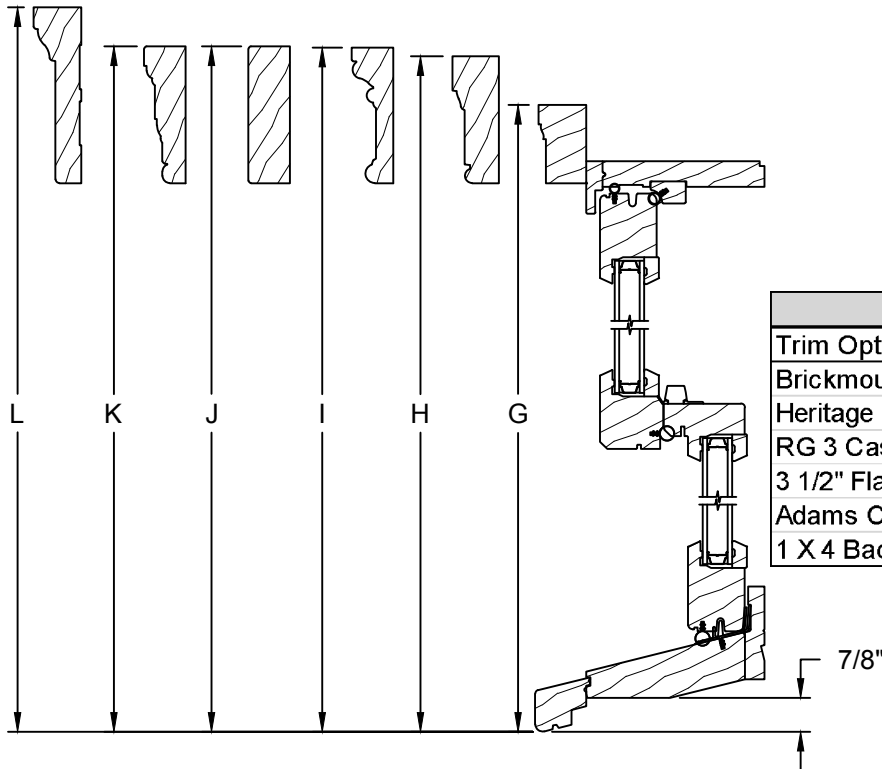
Rough opening is always 3/4" over frame size of the window.

Horizontal exterior trim offerings below are the same with or without sill nose.



| Horizontal Sections | | |
|-------------------------|-----------|----------|
| Trim Option | Dimension | Frame + |
| Brickmould (BM) | A | 2-7/8" |
| Heritage Casing (HC) | B | 5-3/8" |
| RG 3 Casing (RG3) | C | 5-13/16" |
| 3 1/2" Flat Casing (FC) | D | 5-7/8" |
| Adams Casing (AC) | E | 5-7/8" |
| 1 X 4 Back Band (BBC) | F | 7-7/8" |

Vertical exterior trim offerings with standard sill nosing. Trim on 3 sides.

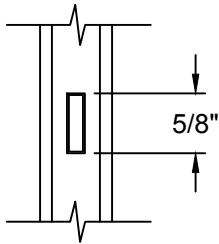


| Vertical Sections (w/ Sill Nose) | | |
|----------------------------------|-----------|----------|
| Trim Option | Dimension | Frame + |
| Brickmould (BM) | G | 2-5/16" |
| Heritage Casing (HC) | H | 3-9/16" |
| RG 3 Casing (RG3) | I | 3-25/32" |
| 3 1/2" Flat Casing (FC) | J | 3-13/16" |
| Adams Casing (AC) | K | 3-13/16" |
| 1 X 4 Back Band (BBC) | L | 4-13/16" |

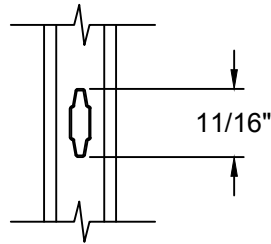


GBG/SURROUND OPTIONS

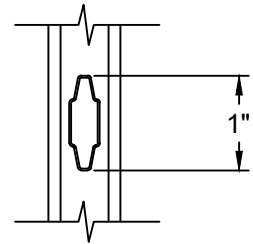
Exterior ← → Interior



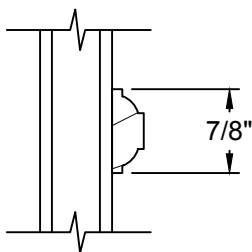
5/8" GBG



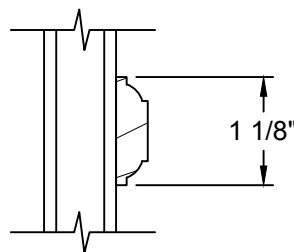
23/32" Contour
GBG



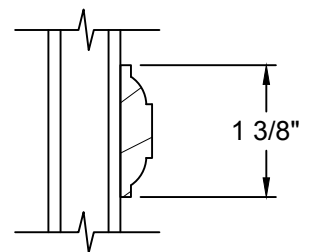
1" Contour
GBG



Full Surround
7/8" Wood
Grille



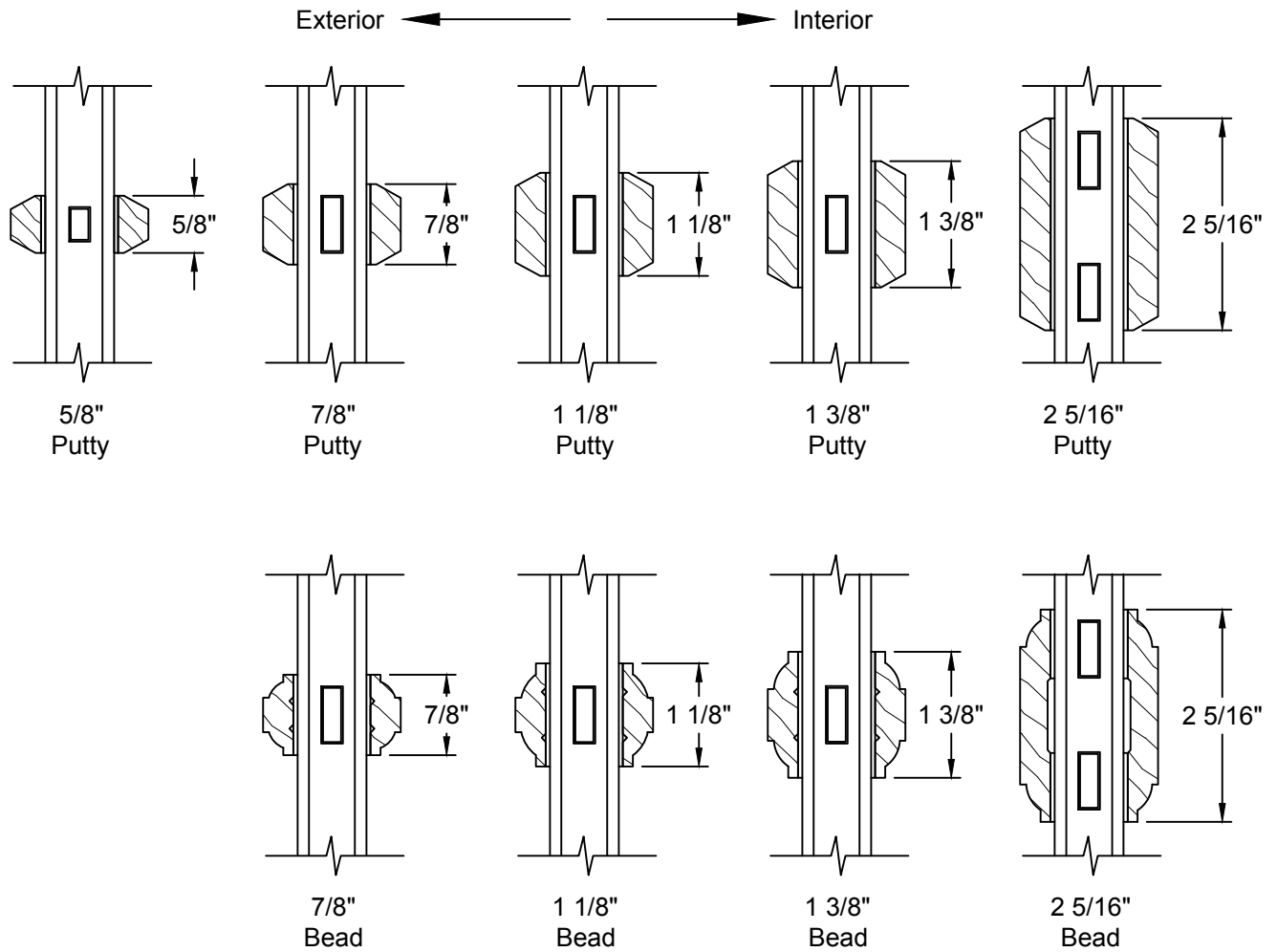
Full Surround
1 1/8" Wood
Grille



Full Surround
1 3/8" Wood
Grille



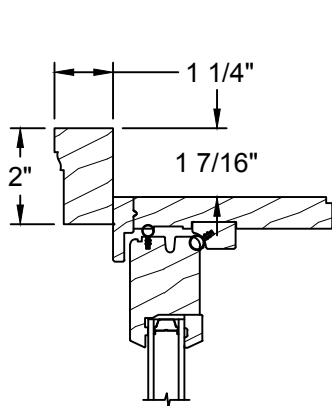
SDL OPTIONS



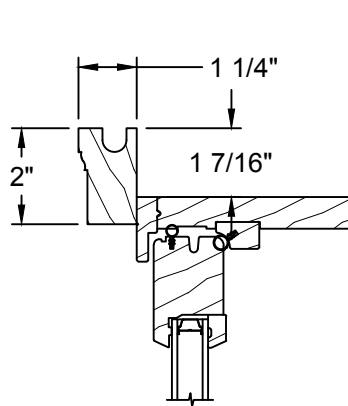
NOTE: Various Combinations of the SDL Bars Shown are Available



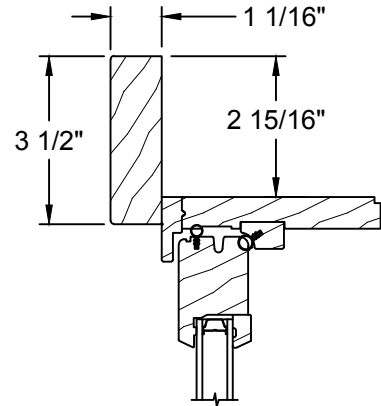
TRIM OPTIONS



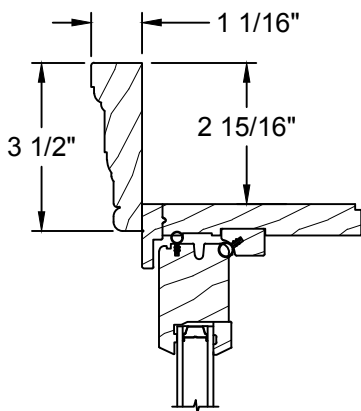
Brickmould



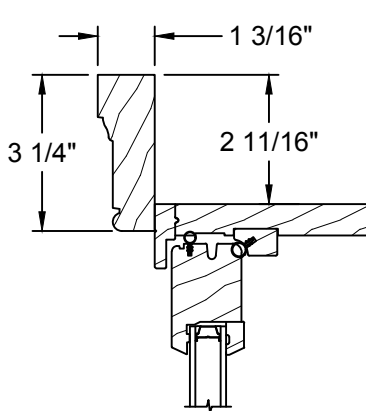
Stucco Brickmould



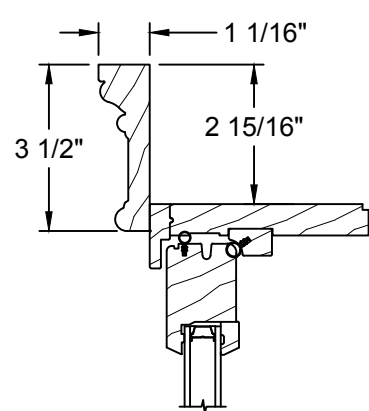
Flat Casing



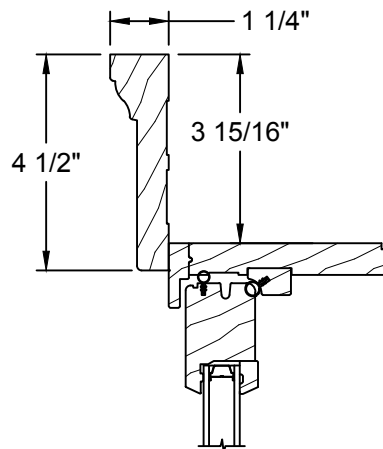
Adams Casing



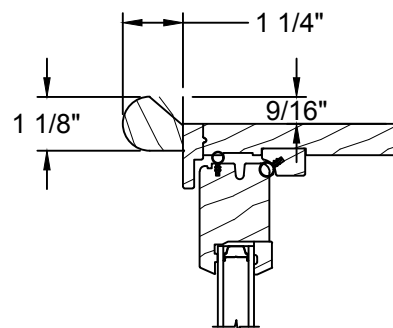
Heritage



RB 3 Casing



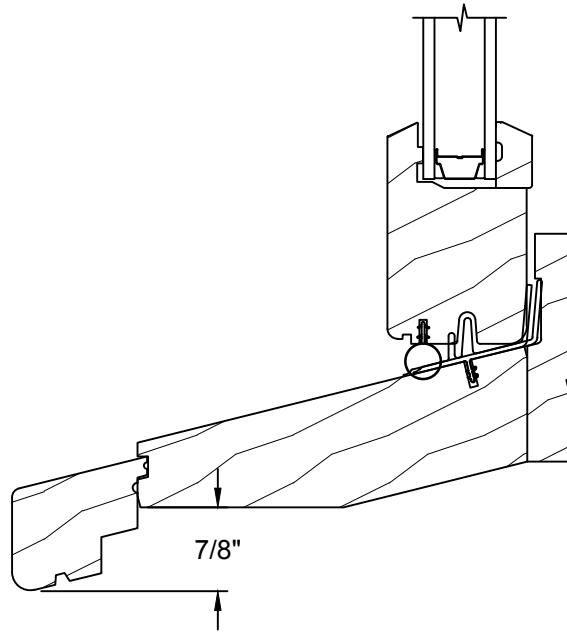
1 X 4 Backband



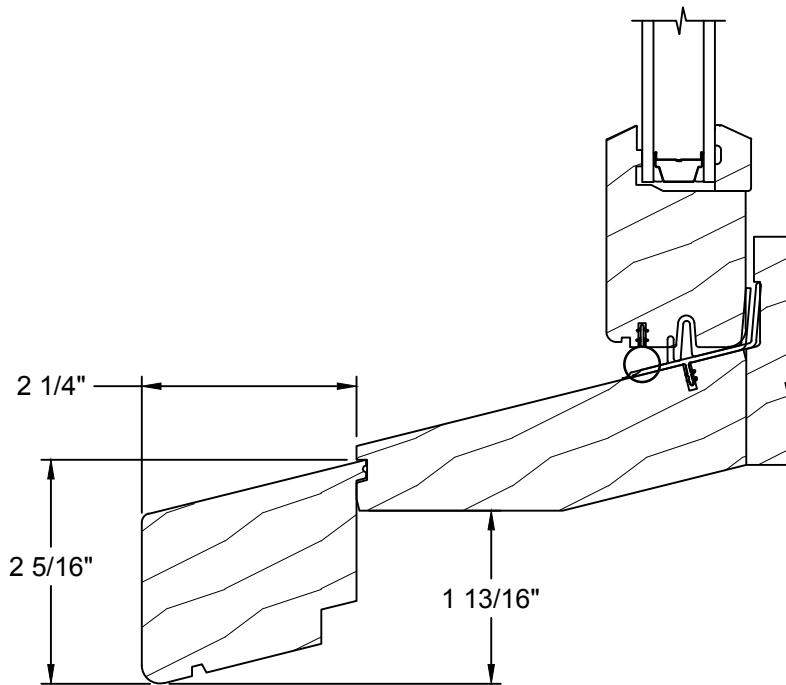
Bullnose Casing



SILL NOSE OPTIONS



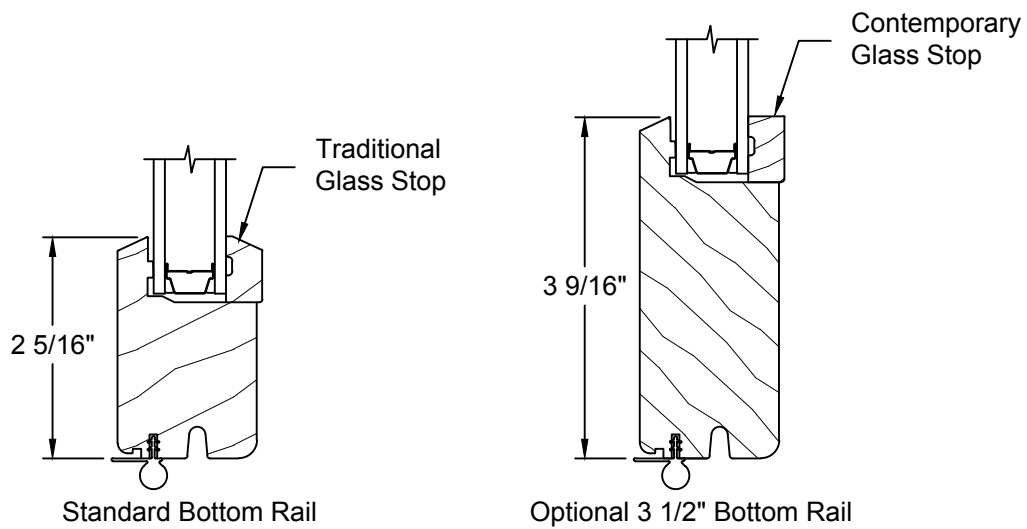
Standard Sill Nosing



2" Sill Nosing



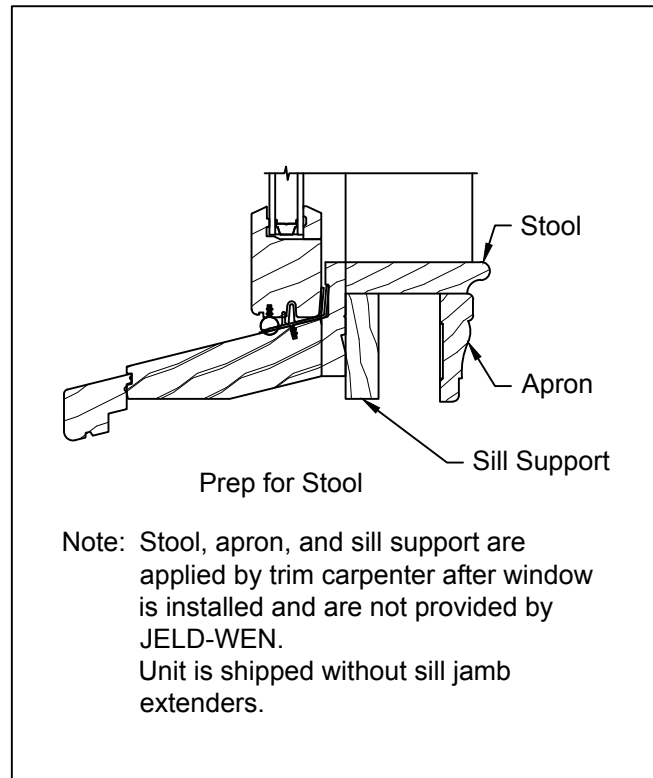
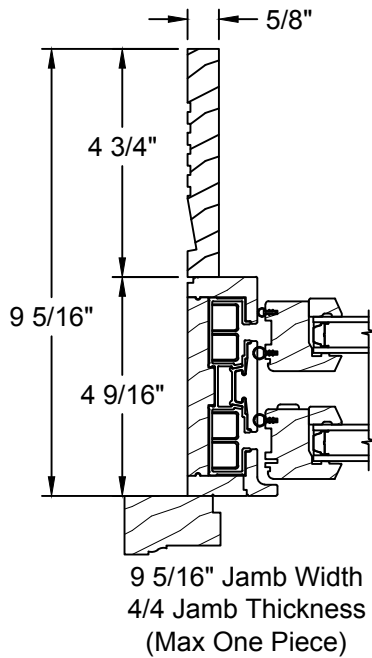
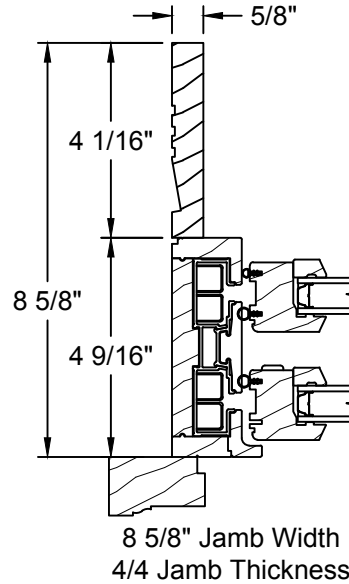
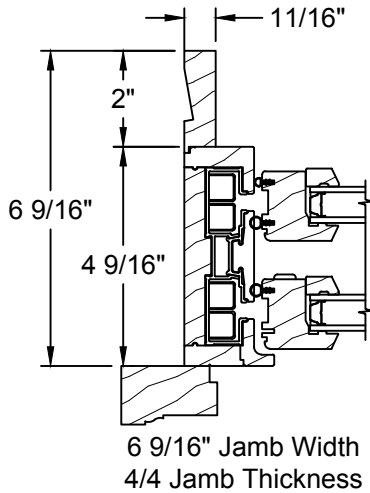
BOTTOM RAIL & GLASS STOP OPTIONS



Note: Traditional Or Contemporary Glass Stop Can Be Selected When Ordering

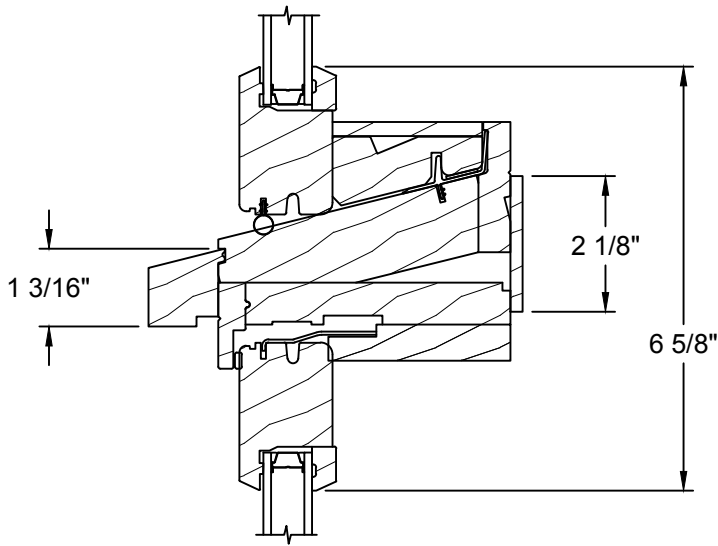


JAMB EXTENDER & PREP FOR STOOL OPTIONS

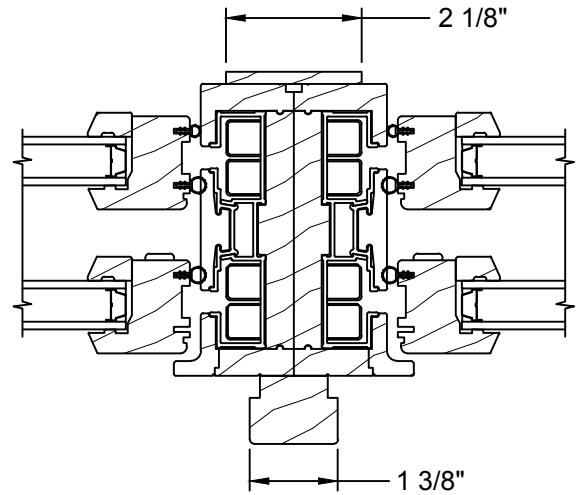




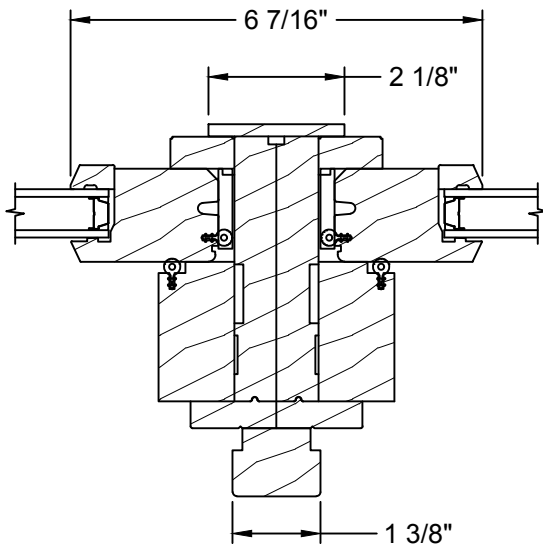
MULLION OPTIONS



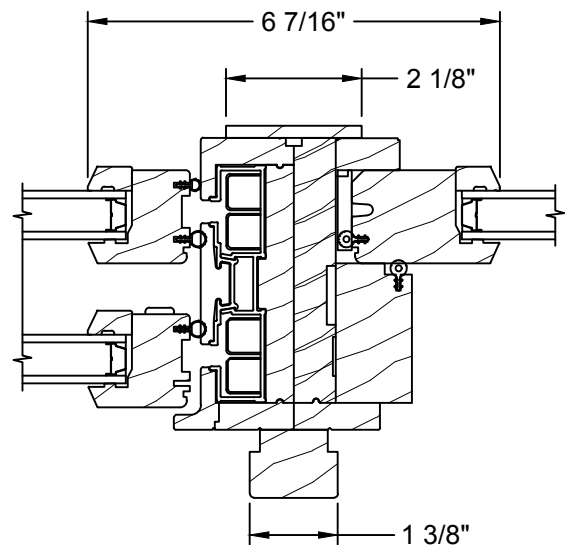
Stationary
Operating



Operating / Operating



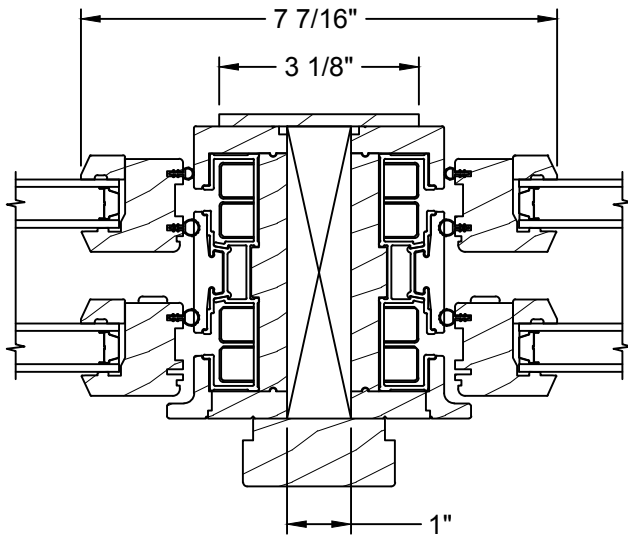
Stationary / Stationary



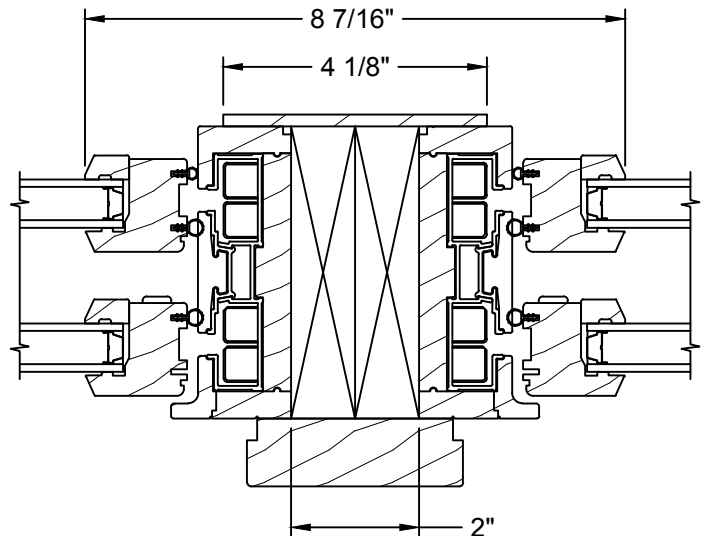
Operating / Stationary



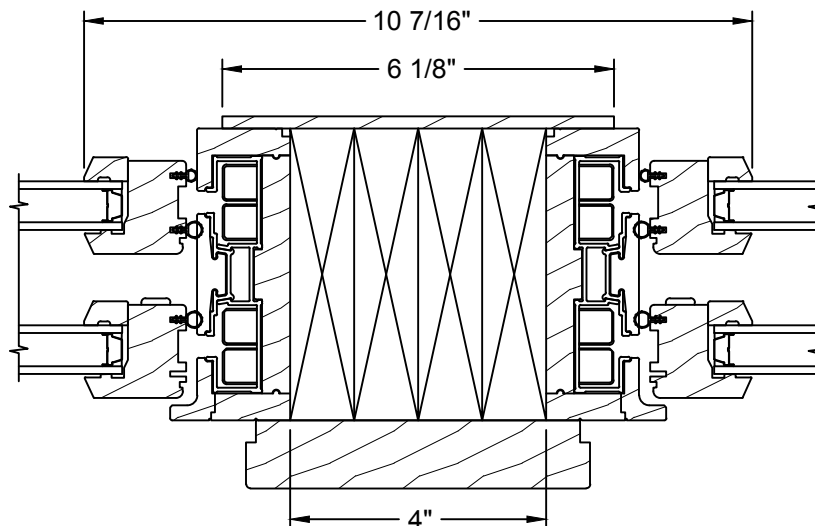
SPREAD MULLION OPTIONS



Operating / Operating
with 1" Solid Spread Mull



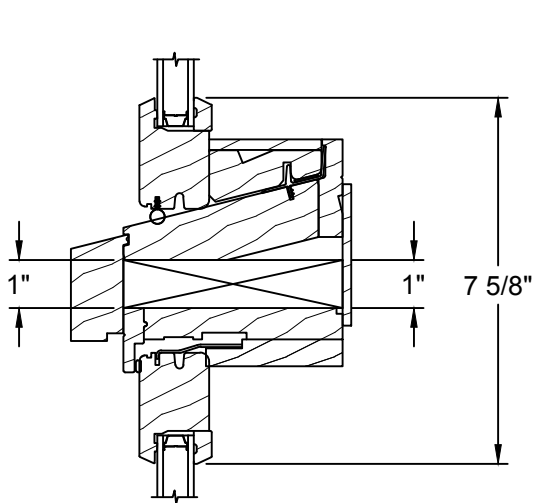
Operating / Operating
with 2" Solid Spread Mull



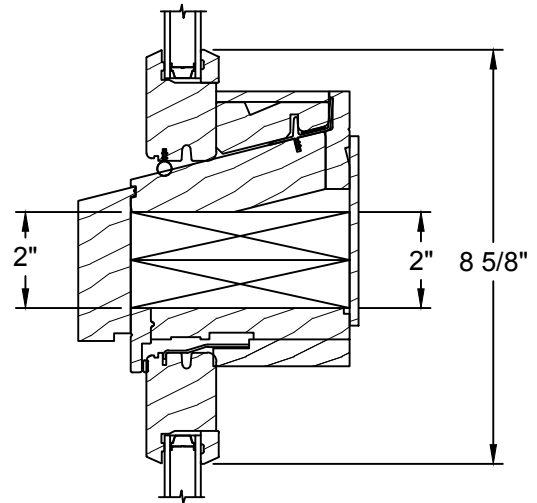
Operating / Operating
with 4" Solid Spread Mull



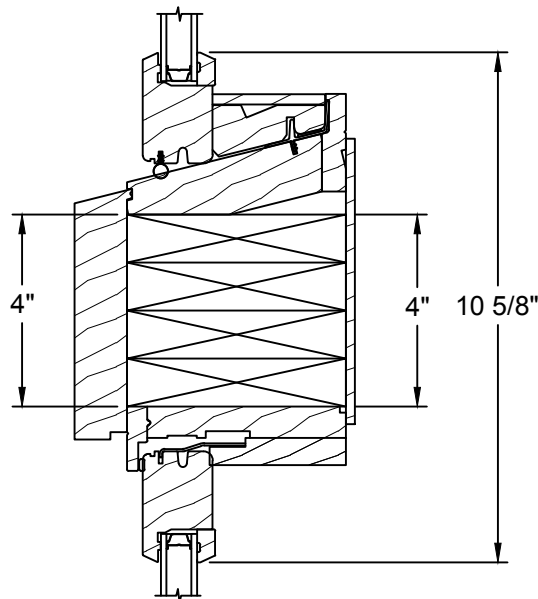
SPREAD MULLION OPTIONS



Stationary
Operating
With 1" Solid Spread Mull



Stationary
Operating
With 2" Solid Spread Mull



Stationary
Operating
With 4" Solid Spread Mull

BAY ROUGH OPENING

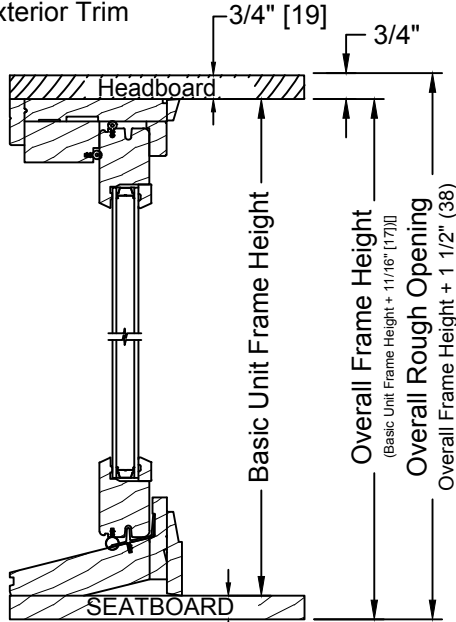
Bay Window Trim Options

The standard offerings for wood double-hung bay windows is 'frame only' and brickmould and sillnose. Other trim options subject to approval.

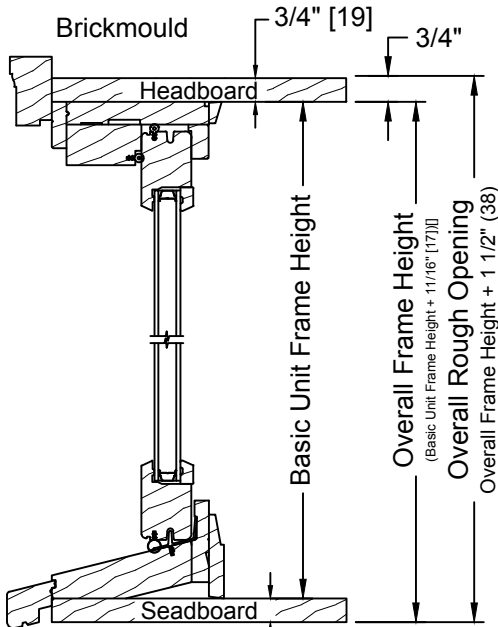
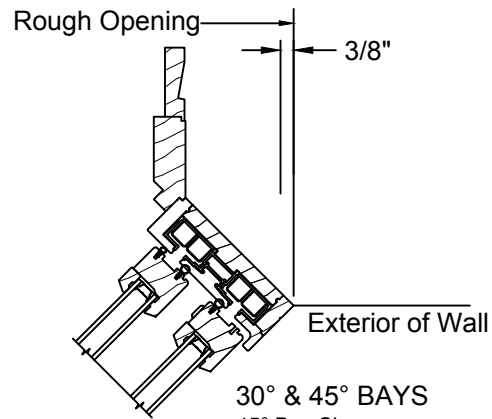
Vertical Rough Opening Rough
Opening typical for all Units

Horizontal Rough Opening Rough
Opening typical for all Units

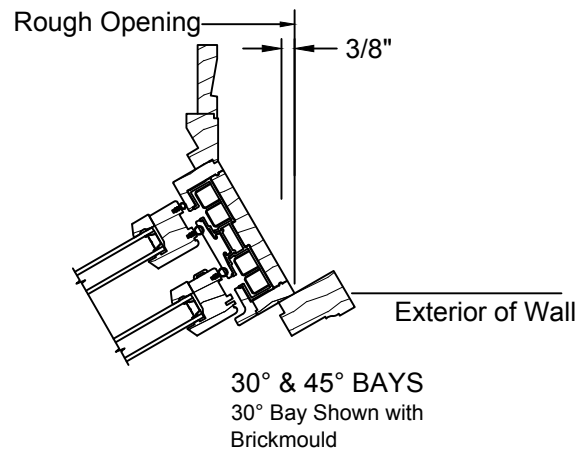
No Exterior Trim



Vertical Masonry Opening will be 1/2" [13] larger than the Overall Unit Height.

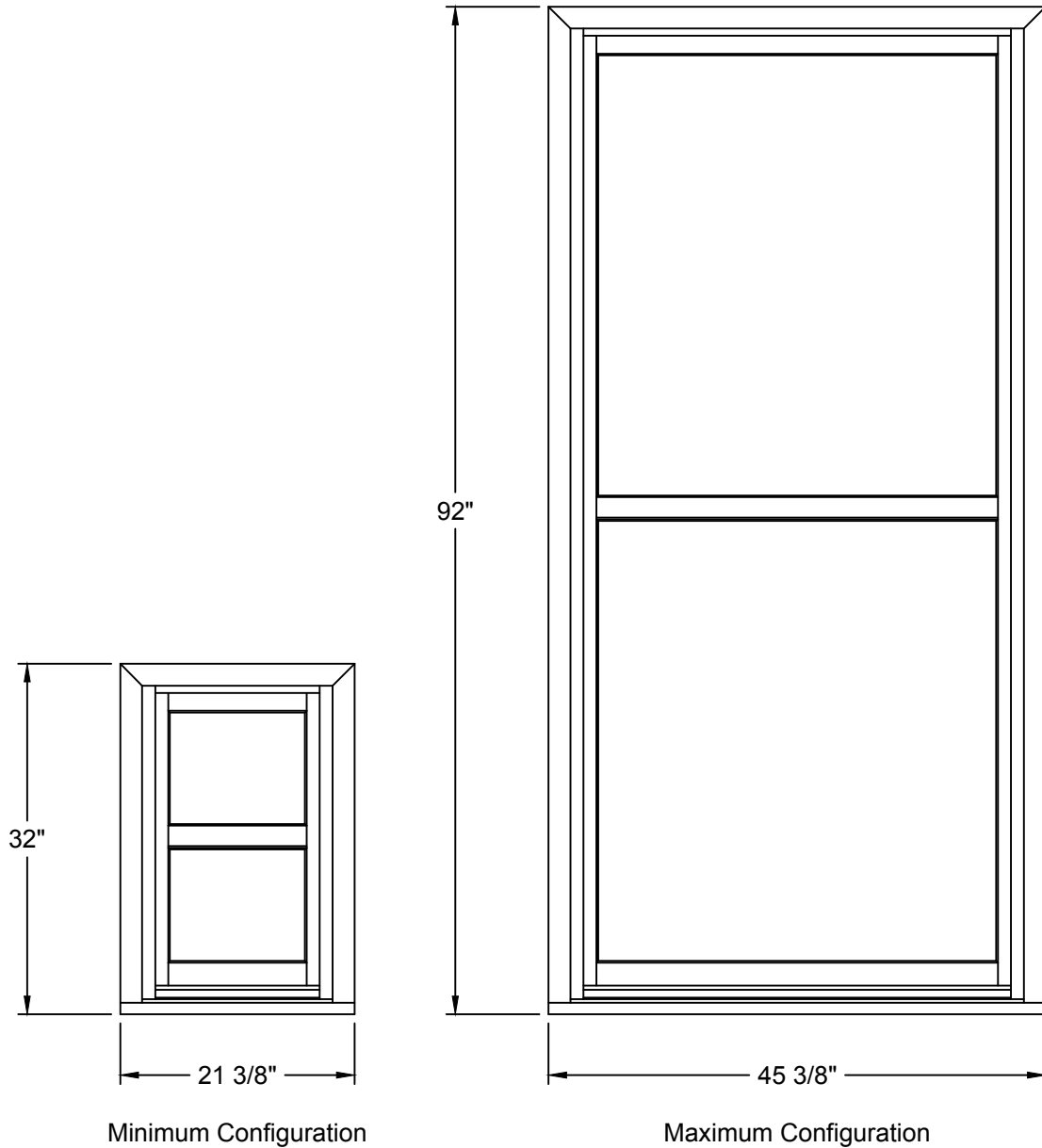


Vertical Masonry Opening will be 1/2" [13] larger than the Overall Unit Height.





OPERATOR MIN-MAX SIZING

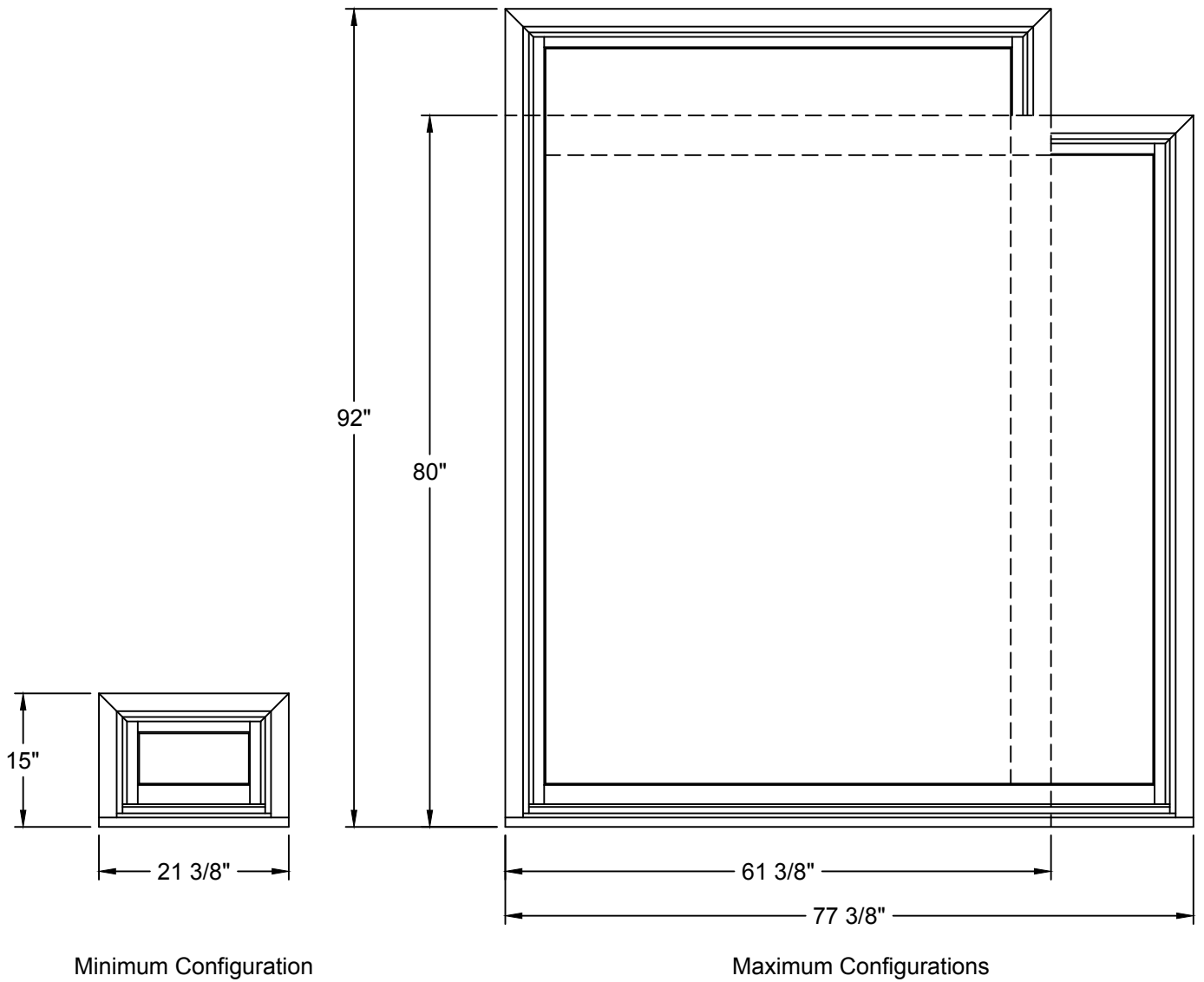


| Operator Width | | | | |
|----------------|---------|---------|---------|---------|
| 21 3/8" | 25 3/8" | 29 3/8" | 31 3/8" | 33 3/8" |
| 35 3/8" | 37 3/8" | 41 3/8" | 45 3/8" | |

| Operator Height | | | | |
|-----------------|-----|-----|-----|-----|
| 32" | 36" | 40" | 44" | 48" |
| 52" | 56" | 60" | 64" | 68" |
| 72" | 76" | 80" | 88" | 92" |



PICTURE MIN-MAX SIZING



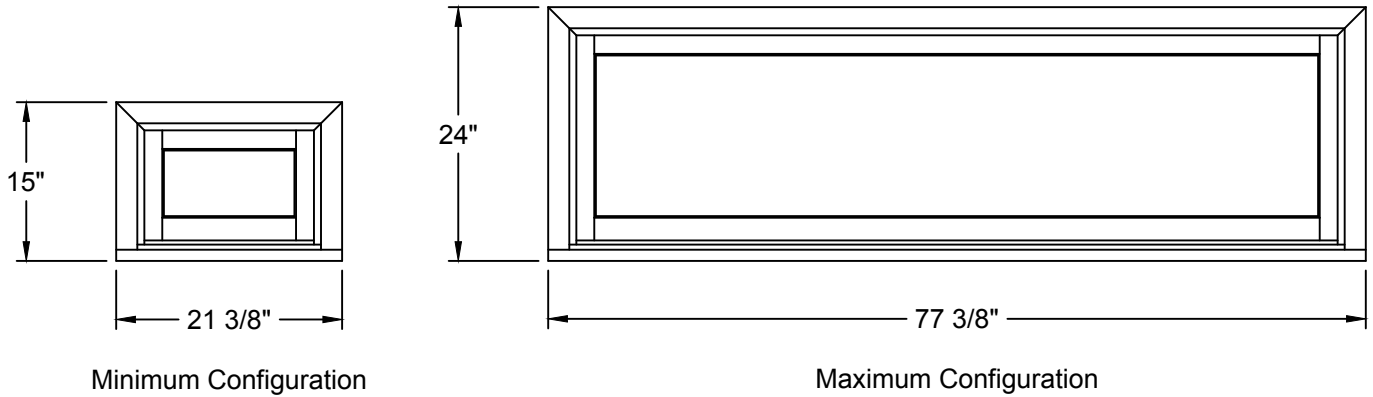
| Picture Width | | | | |
|---------------|---------|-----------|-----------|---------|
| 21 3/8" | 25 3/8" | 29 3/8" | 31 3/8" | 33 3/8" |
| 35 3/8" | 37 3/8" | 41 3/8" | 45 3/8" | 49 3/8" |
| 53 3/8" | 61 3/8" | 69 3/8" * | 77 3/8" * | |

| Picture Height | | | | |
|----------------|-------|-------|-----|-----|
| 15" | 18" | 24" | 32" | 36" |
| 40" | 44" | 48" | 52" | 56" |
| 60" | 64" | 68" | 72" | 76" |
| 80" | 88" * | 92" * | | |

* Note: 69 3/8" and 77 3/8" Frame Widths not available with 88" and 92" Frame Heights.



TRANSOM MIN-MAX SIZING

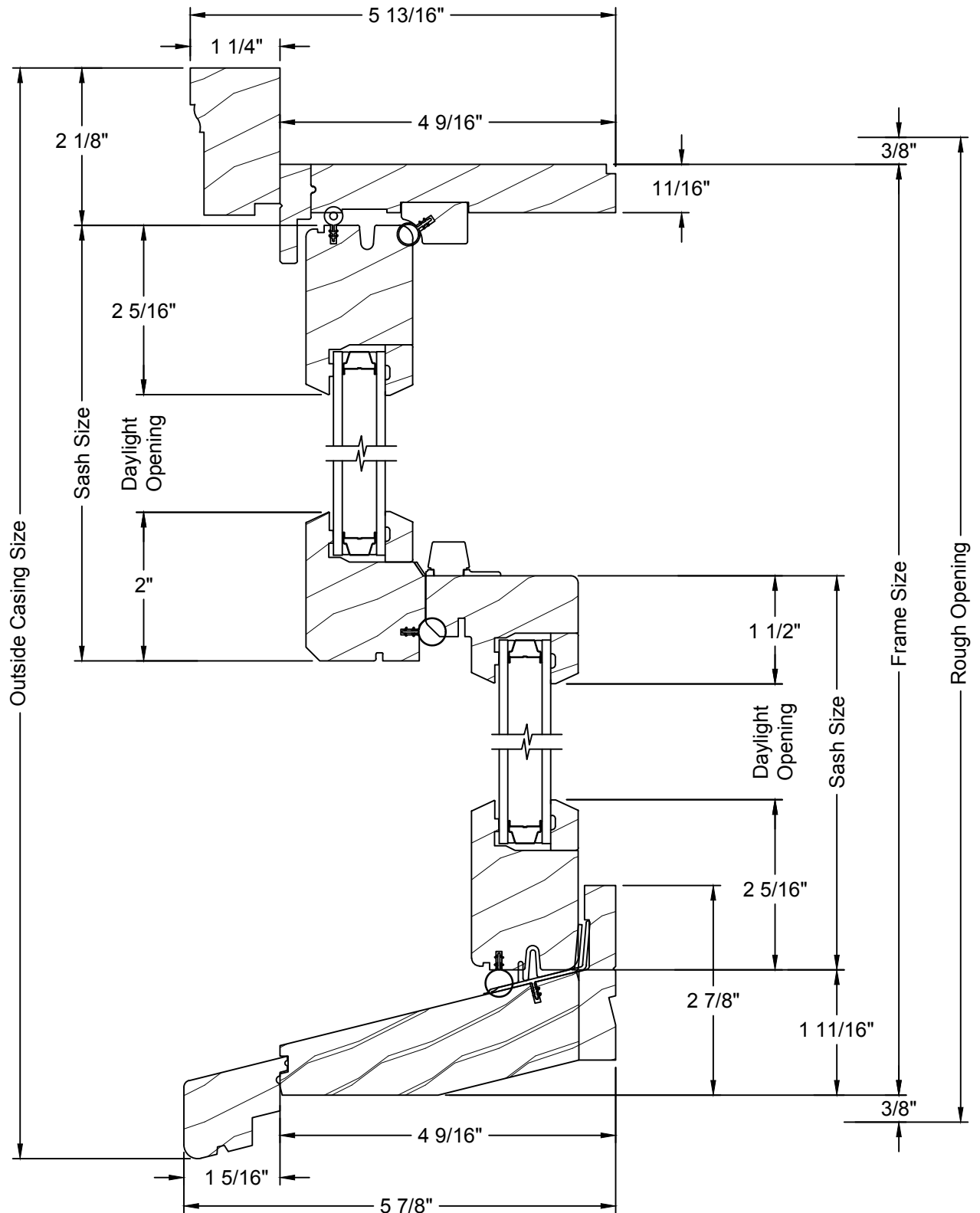


| Transom Width | | | | |
|---------------|---------|---------|---------|---------|
| 21 3/8" | 25 3/8" | 29 3/8" | 31 3/8" | 33 3/8" |
| 35 3/8" | 37 3/8" | 41 3/8" | 45 3/8" | 49 3/8" |
| 53 3/8" | 61 3/8" | 69 3/8" | 77 3/8" | |

| Transom Height | | | | |
|----------------|-----|-----|--|--|
| 15" | 18" | 24" | | |

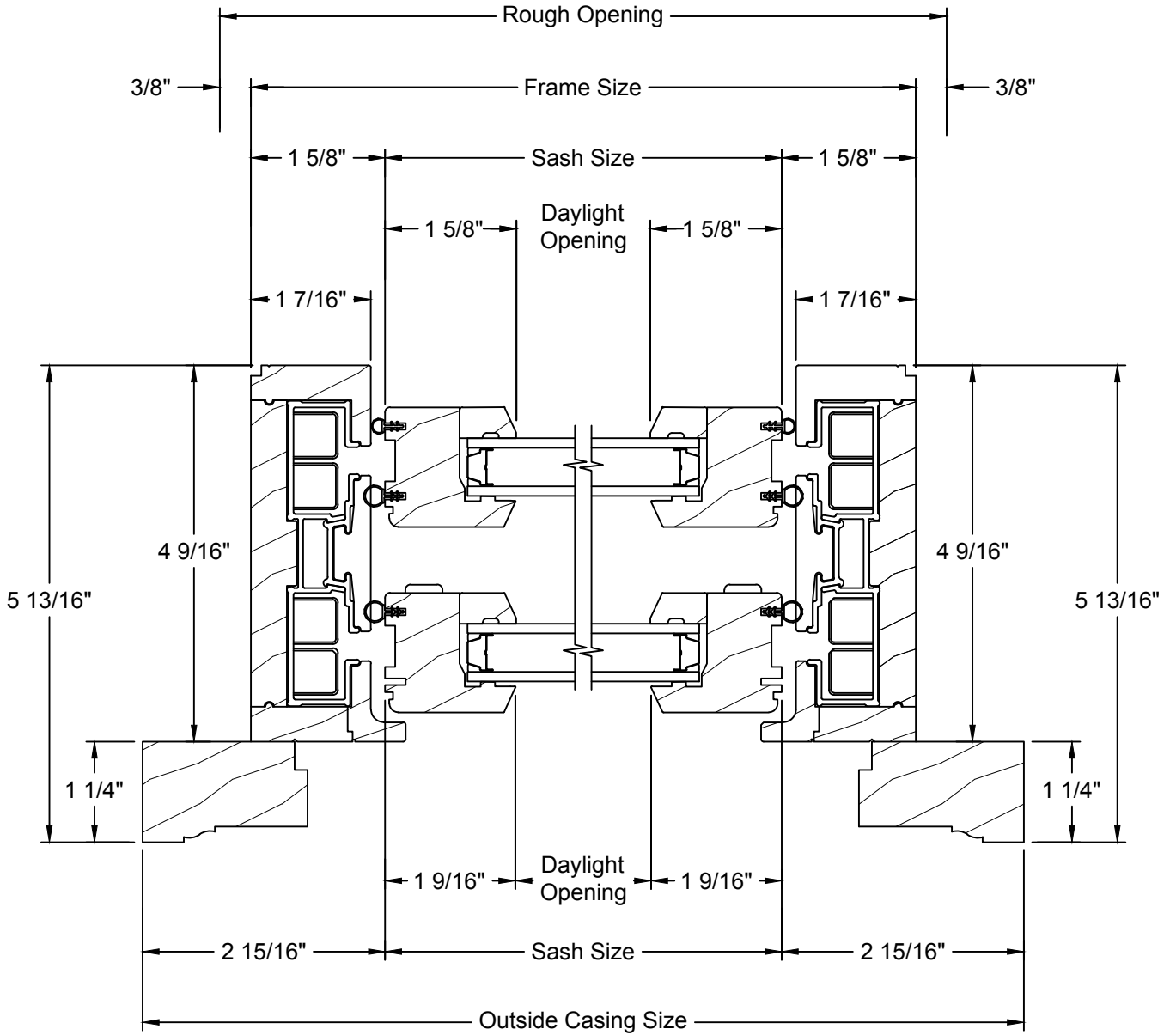


OPERATOR - VERTICAL SECTION



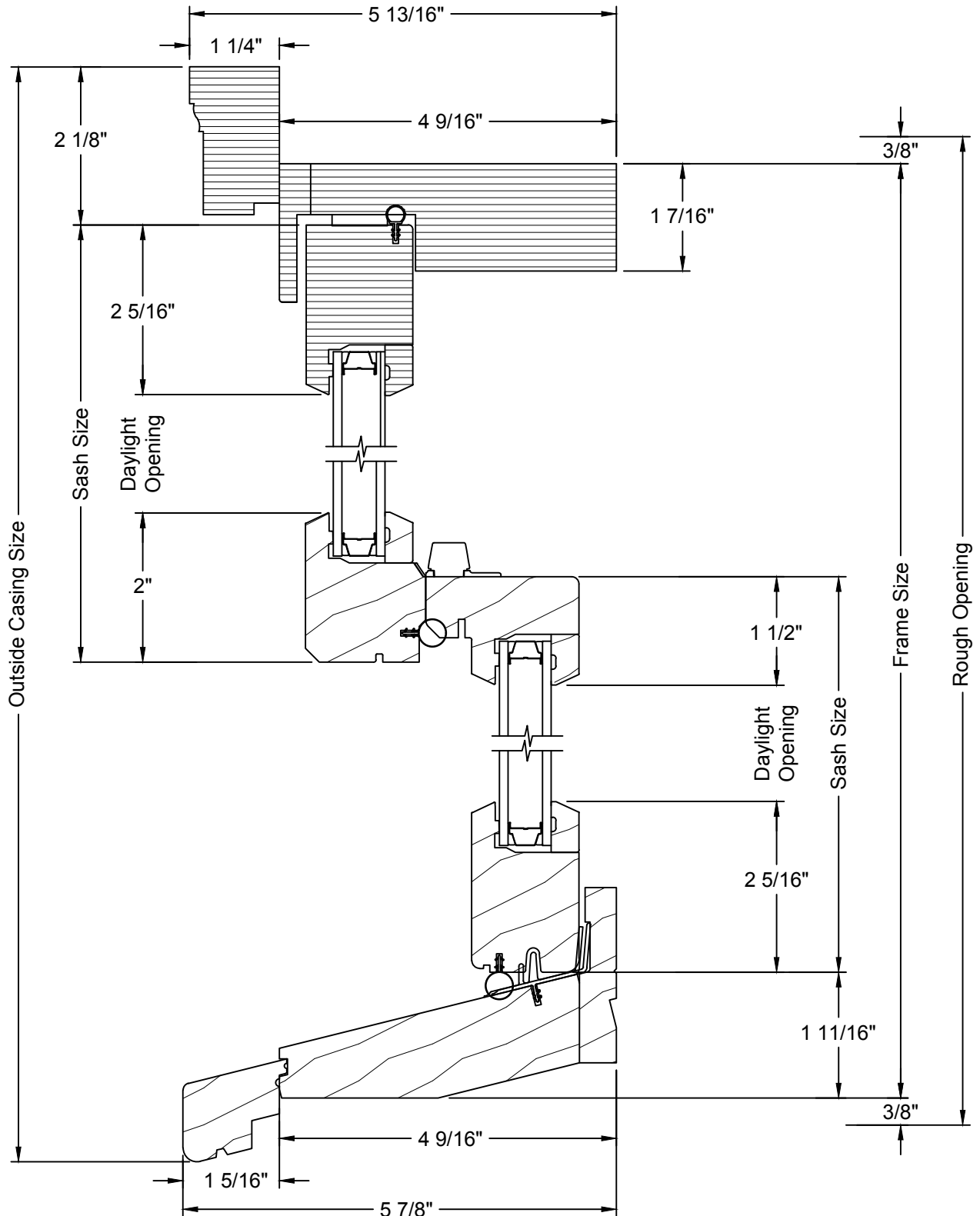


OPERATOR - HORIZONTAL SECTION



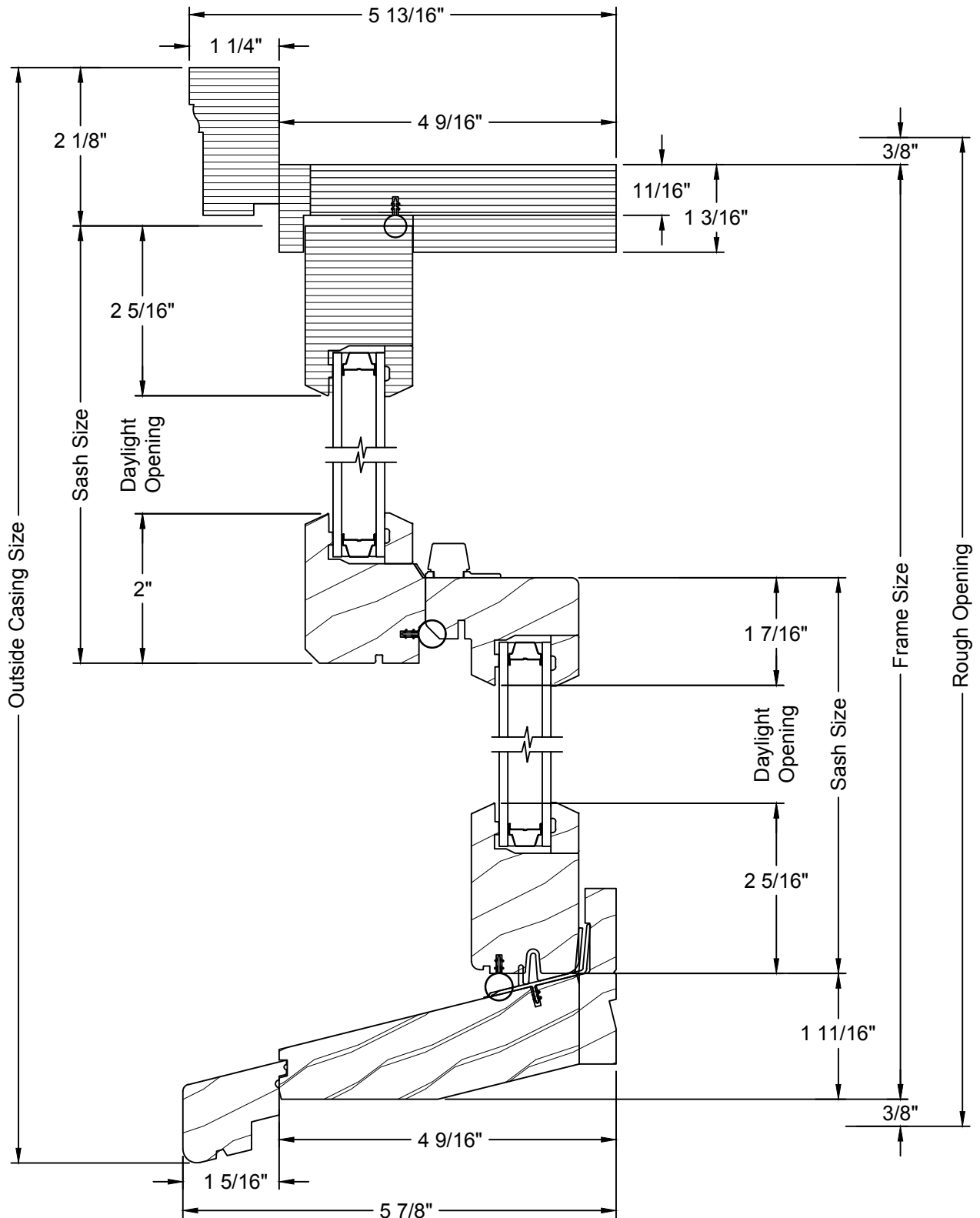


OPERATOR RADIUS - VERTICAL SECTION



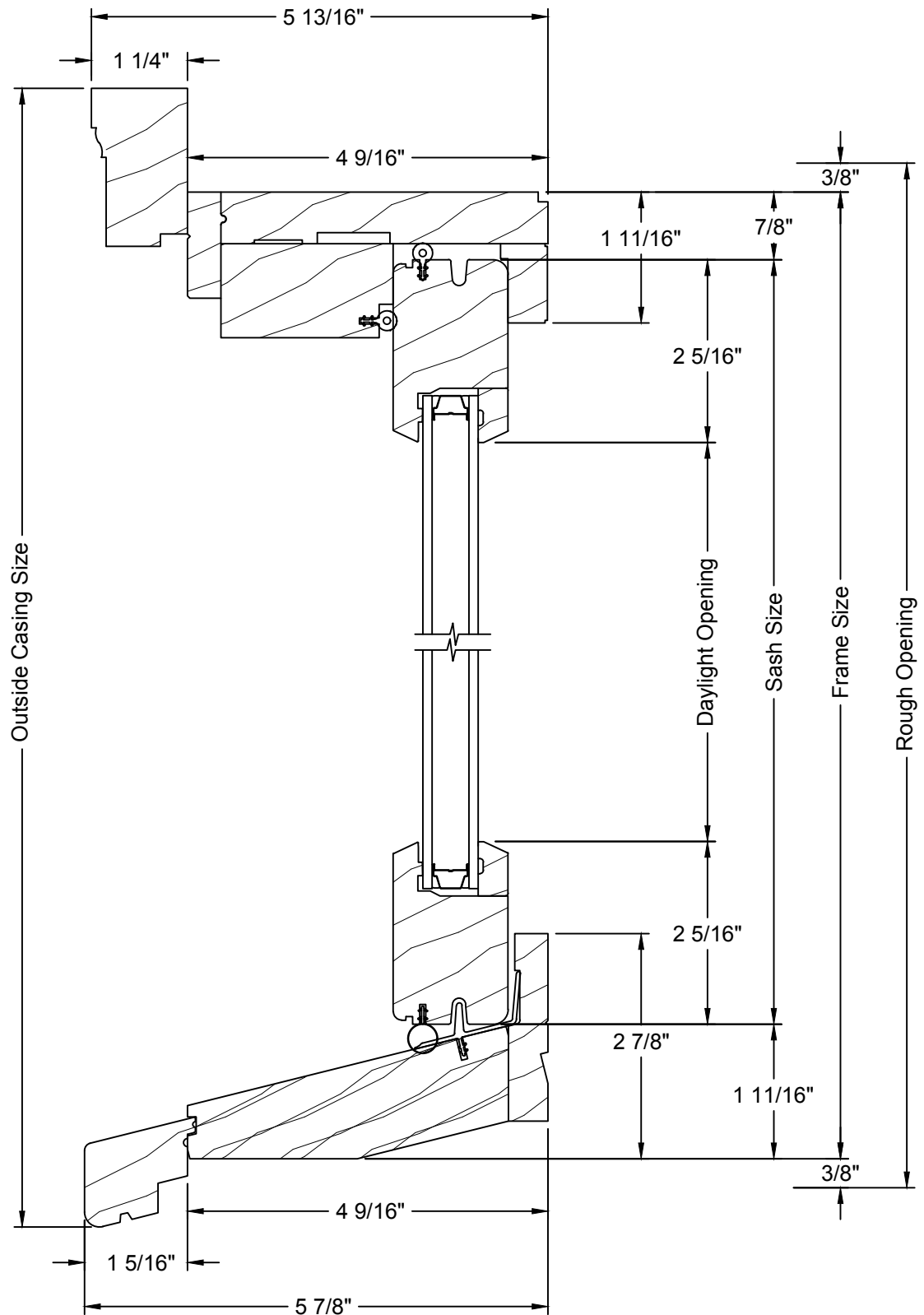


OPERATOR SEGMENT - VERTICAL SECTION



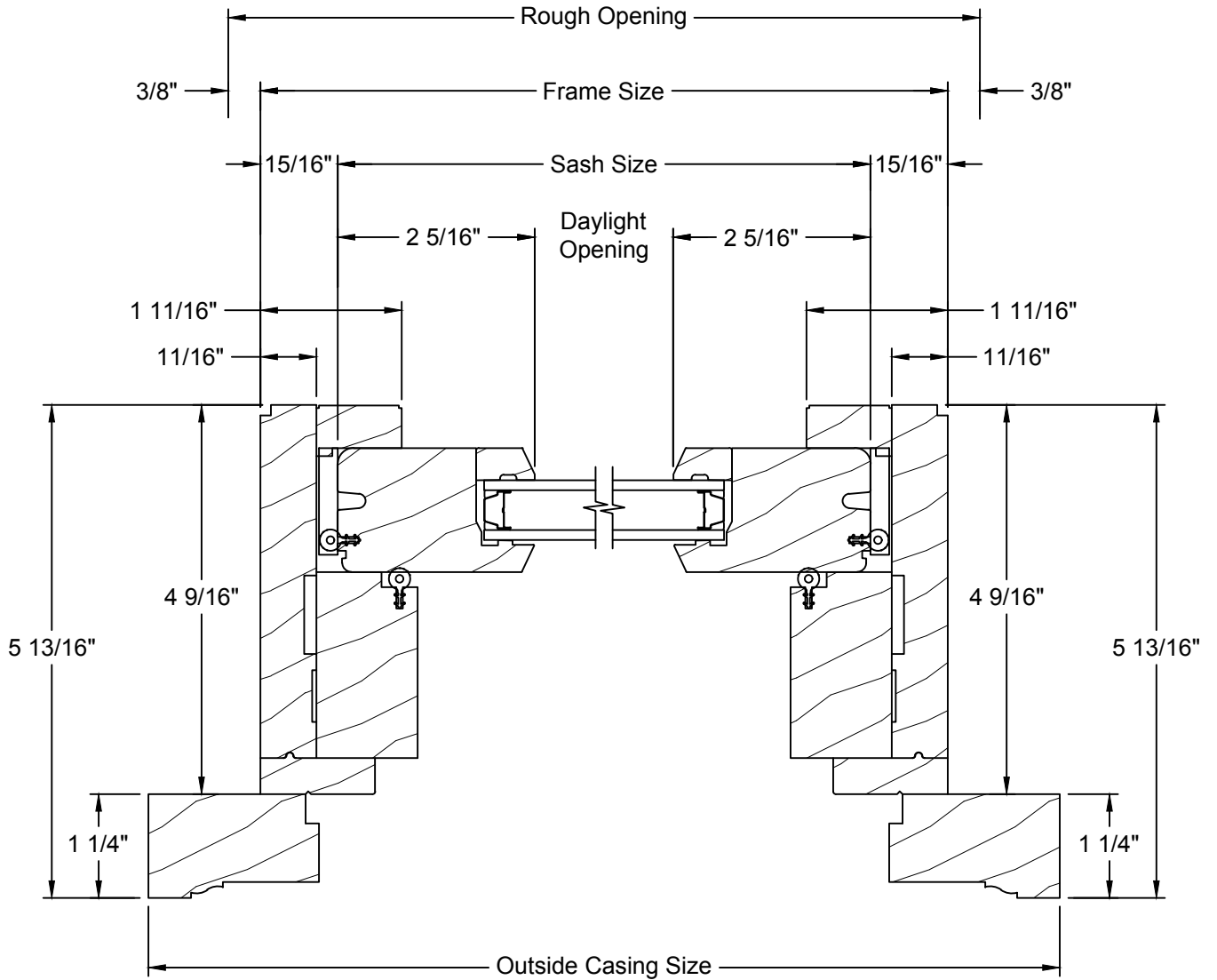


PICTURE - VERTICAL SECTION



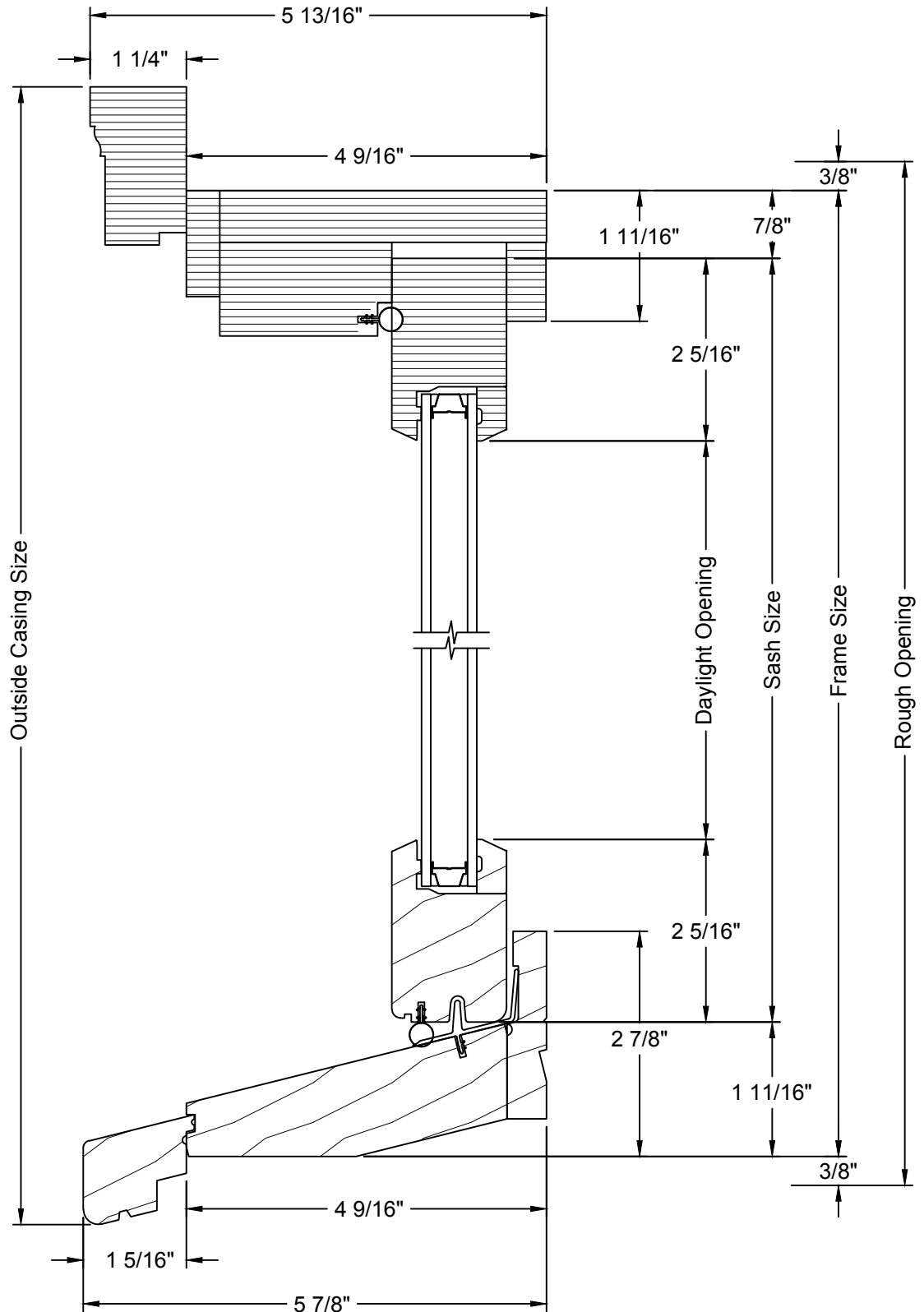


PICTURE - HORIZONTAL SECTION



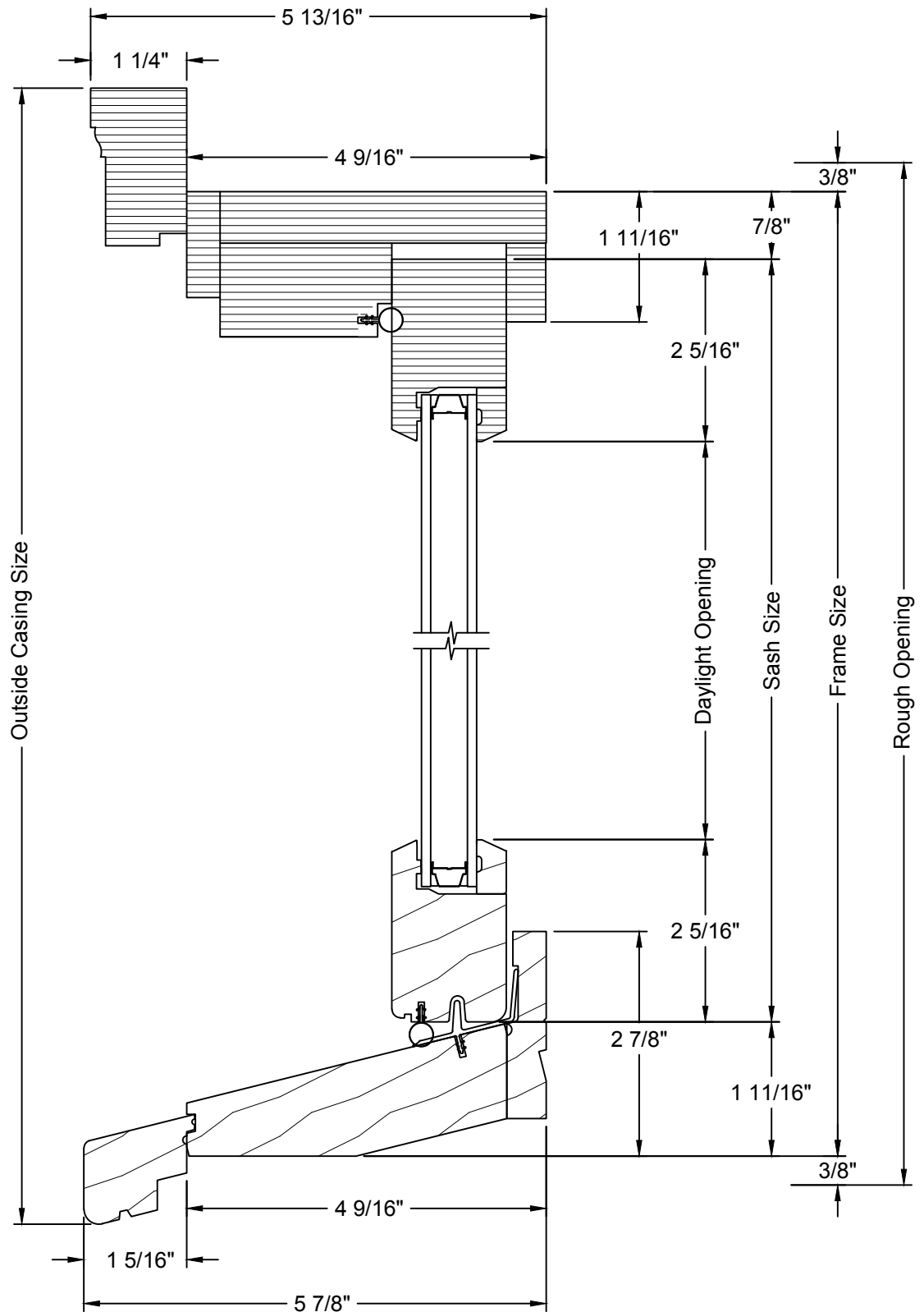


PICTURE RADIUS - VERTICAL SECTION



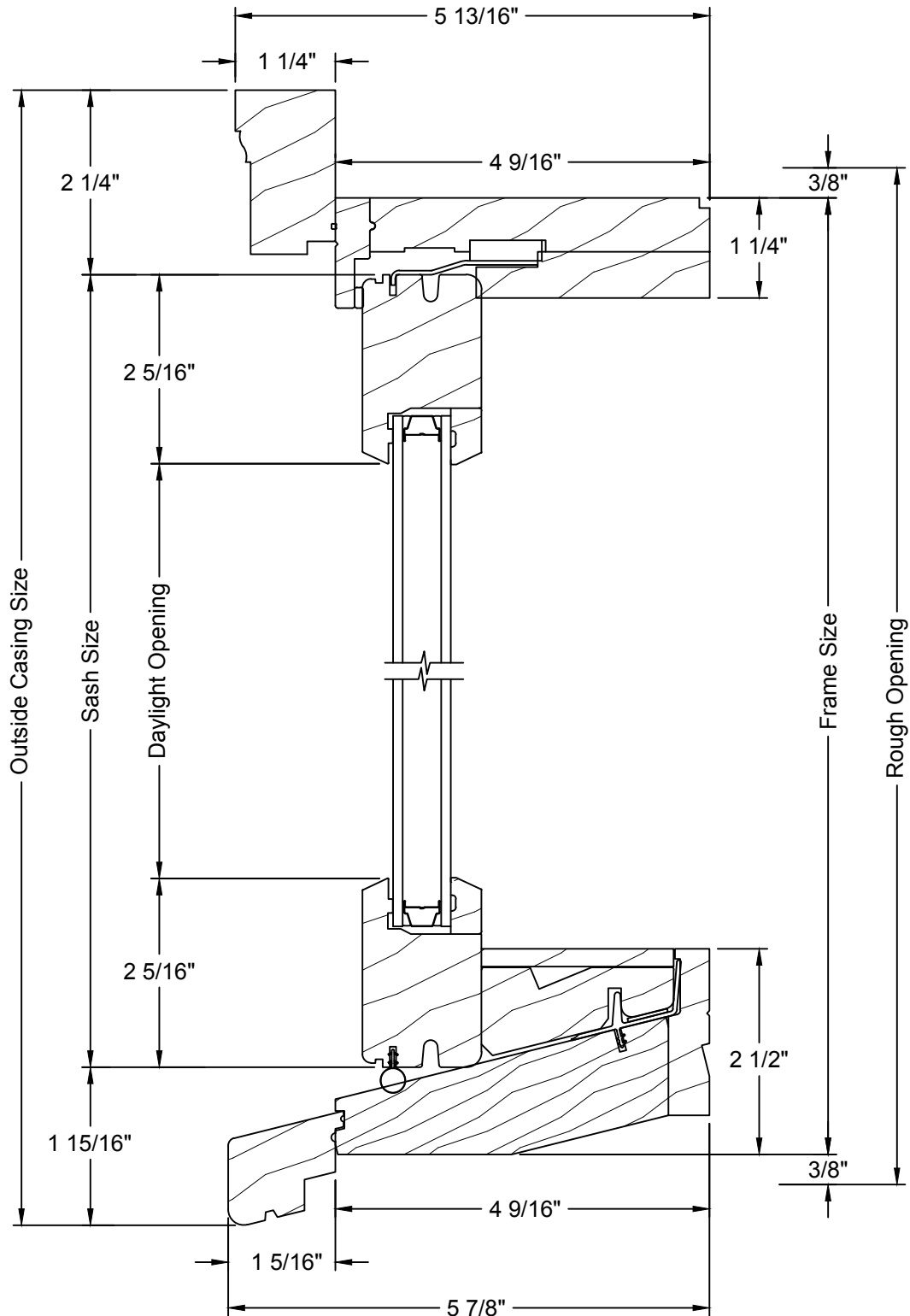


PICTURE SEGMENT - VERTICAL SECTION



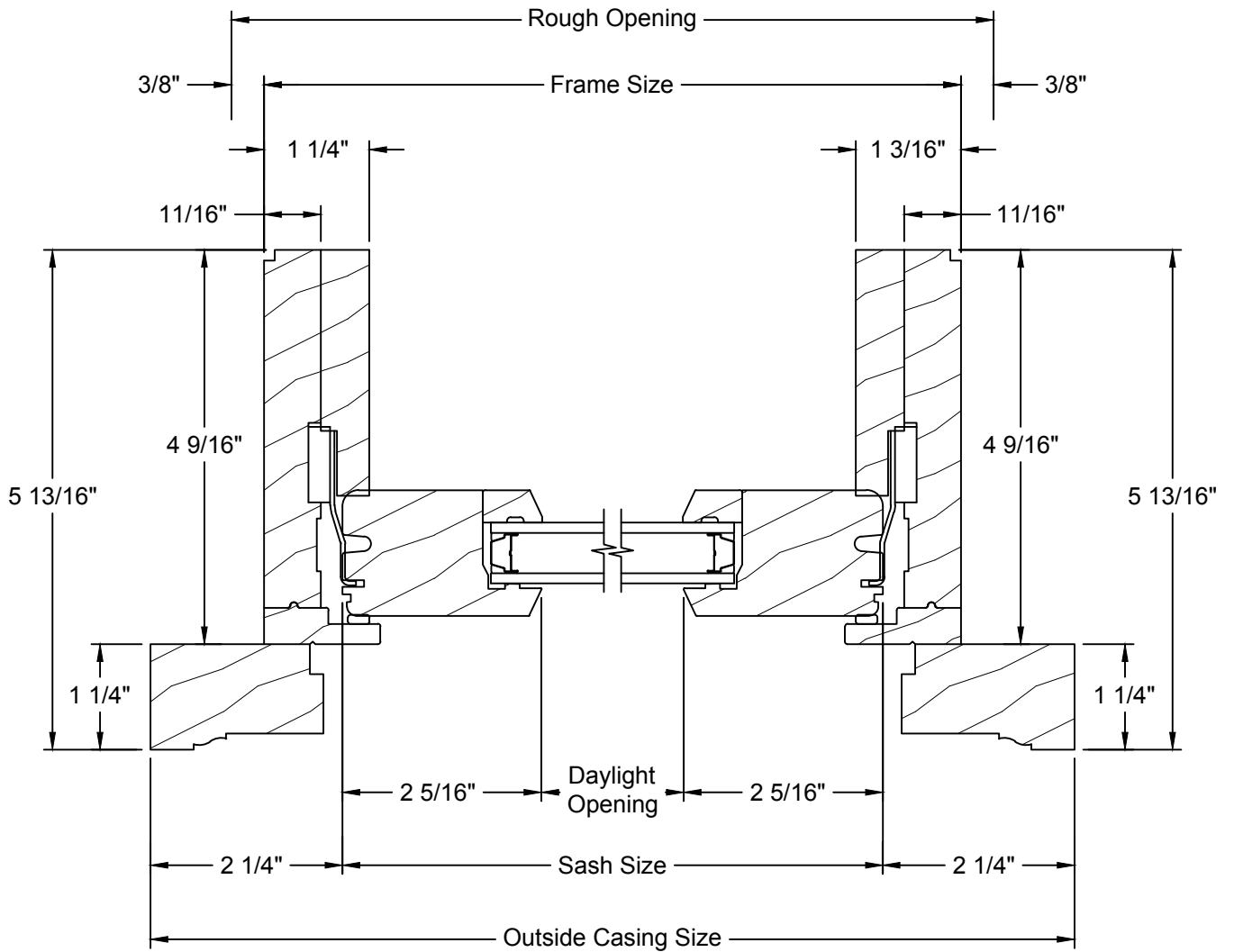


TRANSOM - VERTICAL SECTION



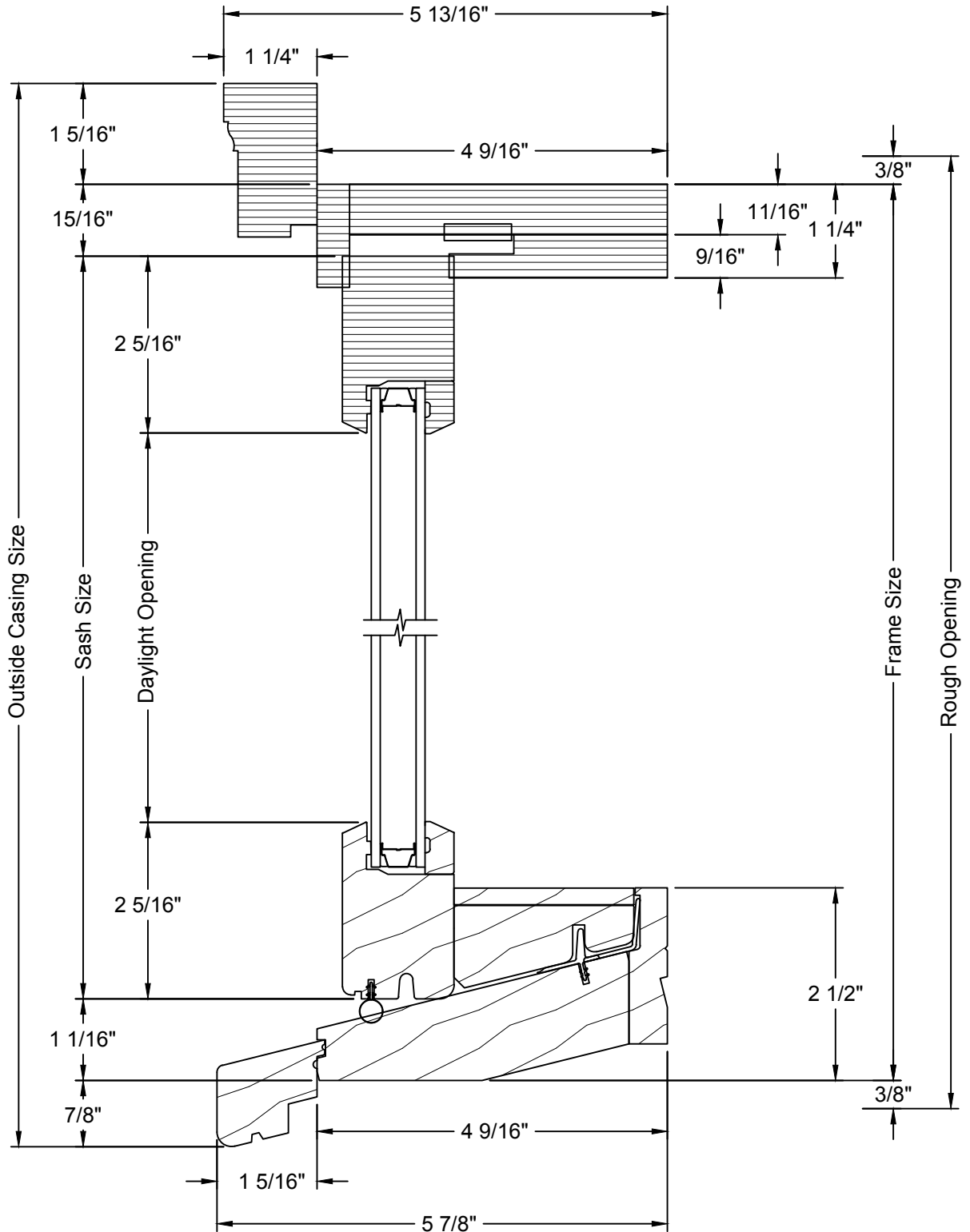


TRANSOM - HORIZONTAL SECTION





TRANSOM RADIUS - VERTICAL SECTION





TRANSOM SEGMENT - VERTICAL SECTION

