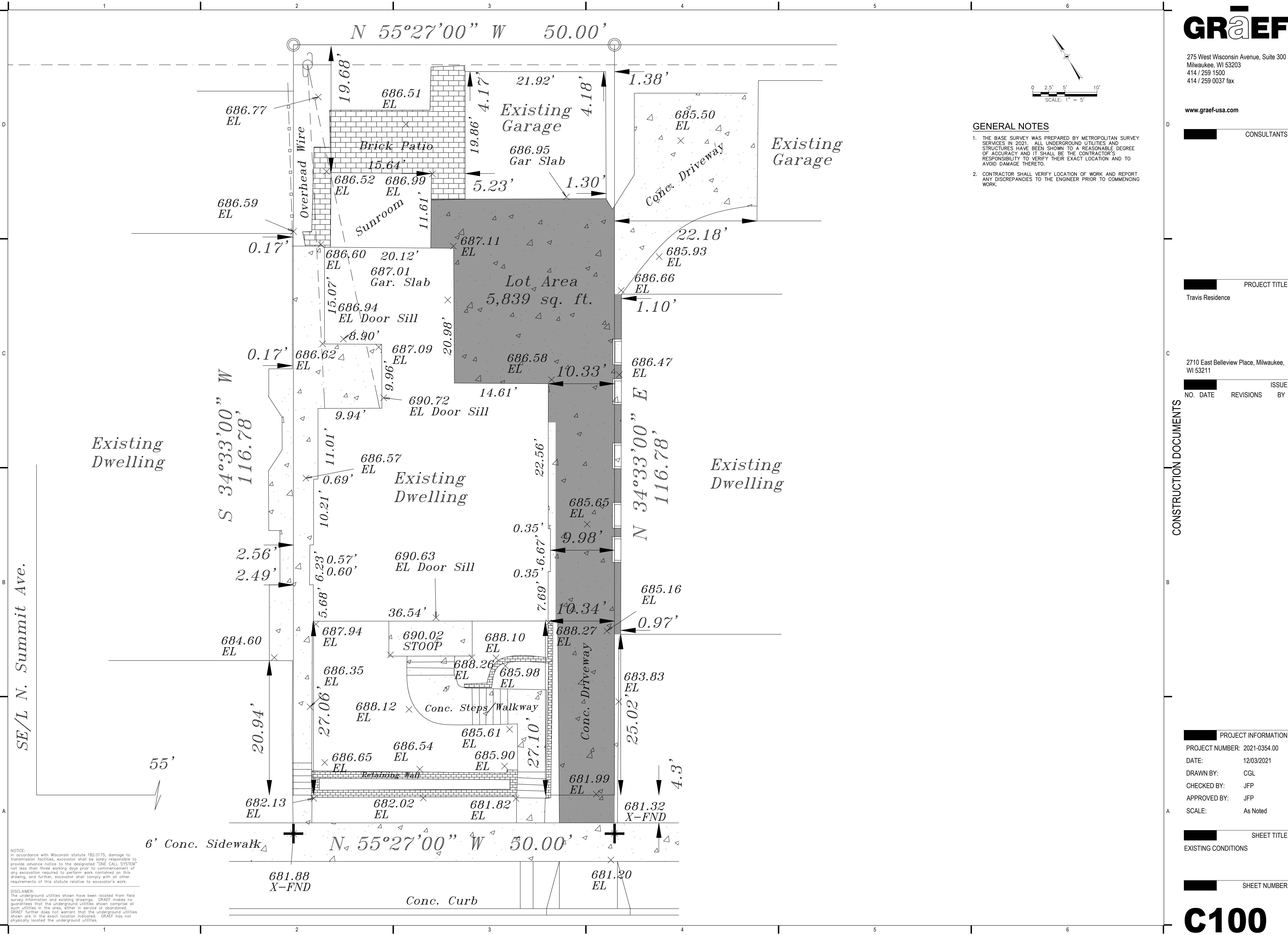


GENERAL NOTES

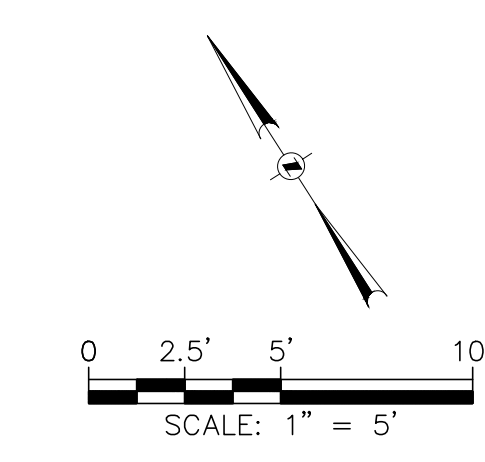
1. THE BASE SURVEY WAS PREPARED BY METROPOLITAN SURVEY SERVICES IN 2021. ALL UNDERGROUND UTILITIES AND STRUCTURES HAVE BEEN SHOWN TO A REASONABLE DEGREE OF ACCURACY AND IT SHALL BE THE CONTRACTOR'S RESPONSIBILITY TO VERIFY THEIR EXACT LOCATION AND TO AVOID DAMAGE THERETO.
2. CONTRACTOR SHALL VERIFY LOCATION OF WORK AND REPORT ANY DISCREPANCIES TO THE ENGINEER PRIOR TO COMMENCING WORK.



NOTICE:
 In accordance with Wisconsin statute 182.0175, damage to transmission facilities, excavator shall be solely responsible to provide advance notice to the designated "ONE CALL SYSTEM" not less than three working days prior to commencement of any excavation required to perform work contained on this drawing, and further, excavator shall comply with all other requirements of this statute relative to excavator's work.

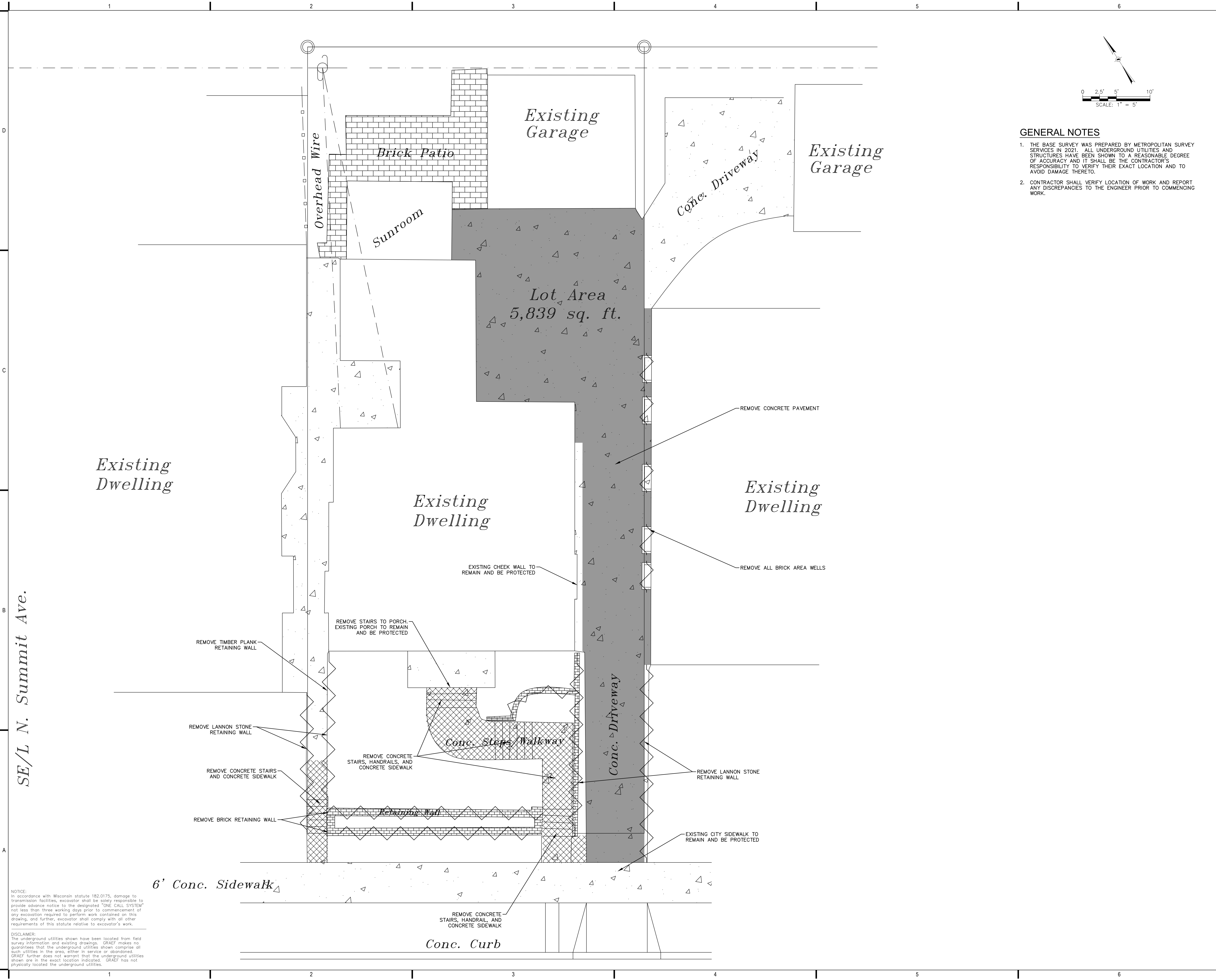
DISCLAIMER:
 The underground utilities shown have been located from field survey information and existing drawings. GRAEF makes no guarantee that the underground utilities shown comprise all such utilities in the area, either in service or abandoned. GRAEF further does not warrant that the underground utilities shown are in the exact location indicated. GRAEF has not physically located the underground utilities.

X:\M\2021\20210354\Design\Design\Civil\00C_00_C100_ExistingConditionsPlan_0354 1/4/2022 2:24 PM



GENERAL NOTES

1. THE BASE SURVEY WAS PREPARED BY METROPOLITAN SURVEY SERVICES IN 2021. ALL UNDERGROUND UTILITIES AND STRUCTURES HAVE BEEN SHOWN TO A REASONABLE DEGREE OF ACCURACY AND IT SHALL BE THE CONTRACTOR'S RESPONSIBILITY TO VERIFY THEIR EXACT LOCATION AND TO AVOID DAMAGE THERETO.
2. CONTRACTOR SHALL VERIFY LOCATION OF WORK AND REPORT ANY DISCREPANCIES TO THE ENGINEER PRIOR TO COMMENCING WORK.

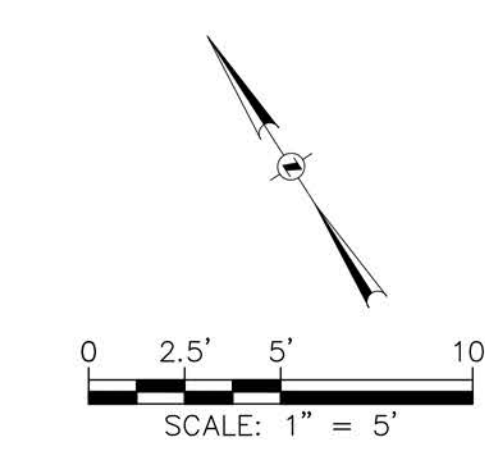


SE/L N. Summit Ave.

NOTICE:
 In accordance with Wisconsin statute 182.0175, damage to transmission facilities, excavator shall be solely responsible to provide advance notice to the designated "ONE CALL SYSTEM" not less than three working days prior to commencement of any excavation required to perform work contained on this drawing, and further, excavator shall comply with all other requirements of this statute relative to excavator's work.

DISCLAIMER:
 The underground utilities shown have been located from field survey information and existing drawings. GRAEF makes no guarantee that the underground utilities shown comprise all such utilities in the area, either in service or abandoned. GRAEF further does not warrant that the underground utilities shown are in the exact location indicated. GRAEF has not physically located the underground utilities.

X:\MIL\2021\20210354\Design\Design\Civil\00C_00_C200_Demo&EC Plan_0354 1/4/2022 2:25 PM

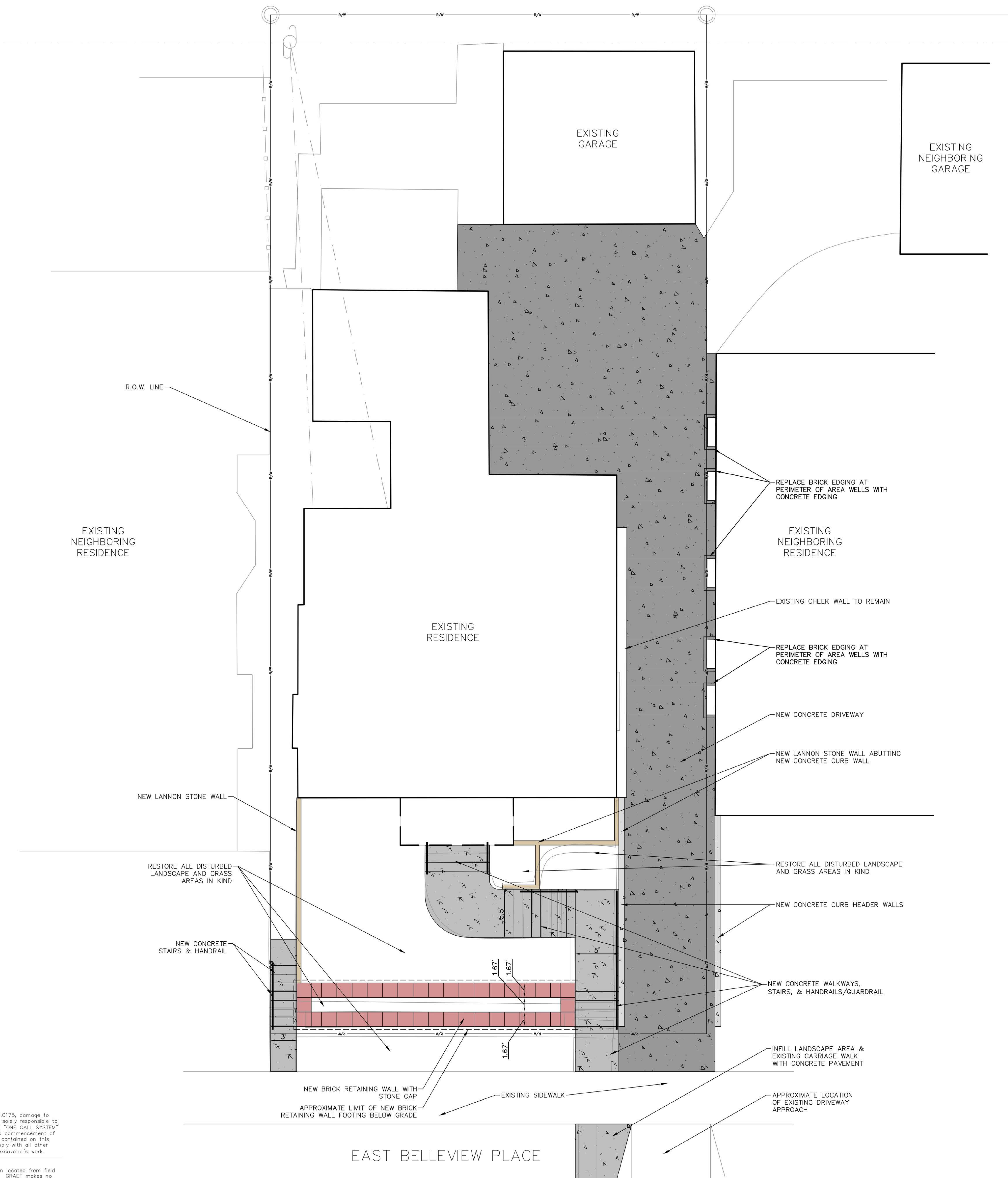


GENERAL NOTES

1. THE BASE SURVEY WAS PREPARED BY METROPOLITAN SURVEY SERVICES IN 2021. ALL UNDERGROUND UTILITIES AND STRUCTURES HAVE BEEN SHOWN TO A REASONABLE DEGREE OF ACCURACY AND IT SHALL BE THE CONTRACTOR'S RESPONSIBILITY TO VERIFY THEIR EXACT LOCATION AND TO AVOID DAMAGE THERETO.
2. CONTRACTOR SHALL VERIFY LOCATION OF WORK AND REPORT ANY DISCREPANCIES TO THE ENGINEER PRIOR TO COMMENCING WORK.

LEGEND

- CONCRETE SIDEWALK (02 C900)
- CONCRETE DRIVEWAY PAVEMENT (01 C900)
- CONCRETE CURB HEADER WALL (03 C900)
- MASONRY VENEER CONCRETE WALL (05 C900)
- LANNON STONE RETAINING WALL (04 C900)

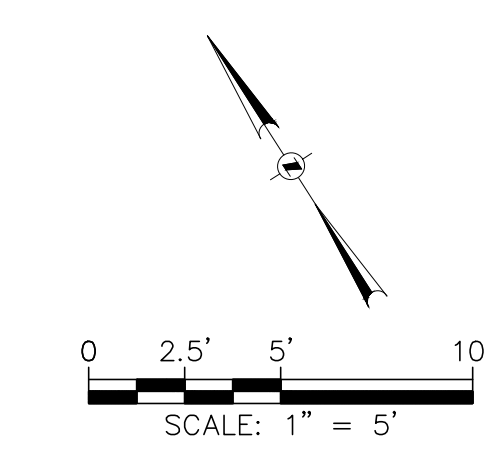


NOTICE:
 In accordance with Wisconsin statute 182.0175, damage to transmission facilities, excavator shall be solely responsible to provide advance notice to the designated "ONE CALL SYSTEM" not less than three working days prior to commencement of any excavation required to perform work contained on this drawing, and further, excavator shall comply with all other requirements of this statute relative to excavator's work.

DISCLAIMER:
 The underground utilities shown have been located from field survey information and existing drawings. GRAEF makes no guarantee that the underground utilities shown comprise all such utilities in the area, either in service or abandoned. GRAEF further does not warrant that the underground utilities shown are in the exact location indicated. GRAEF has not physically located the underground utilities.

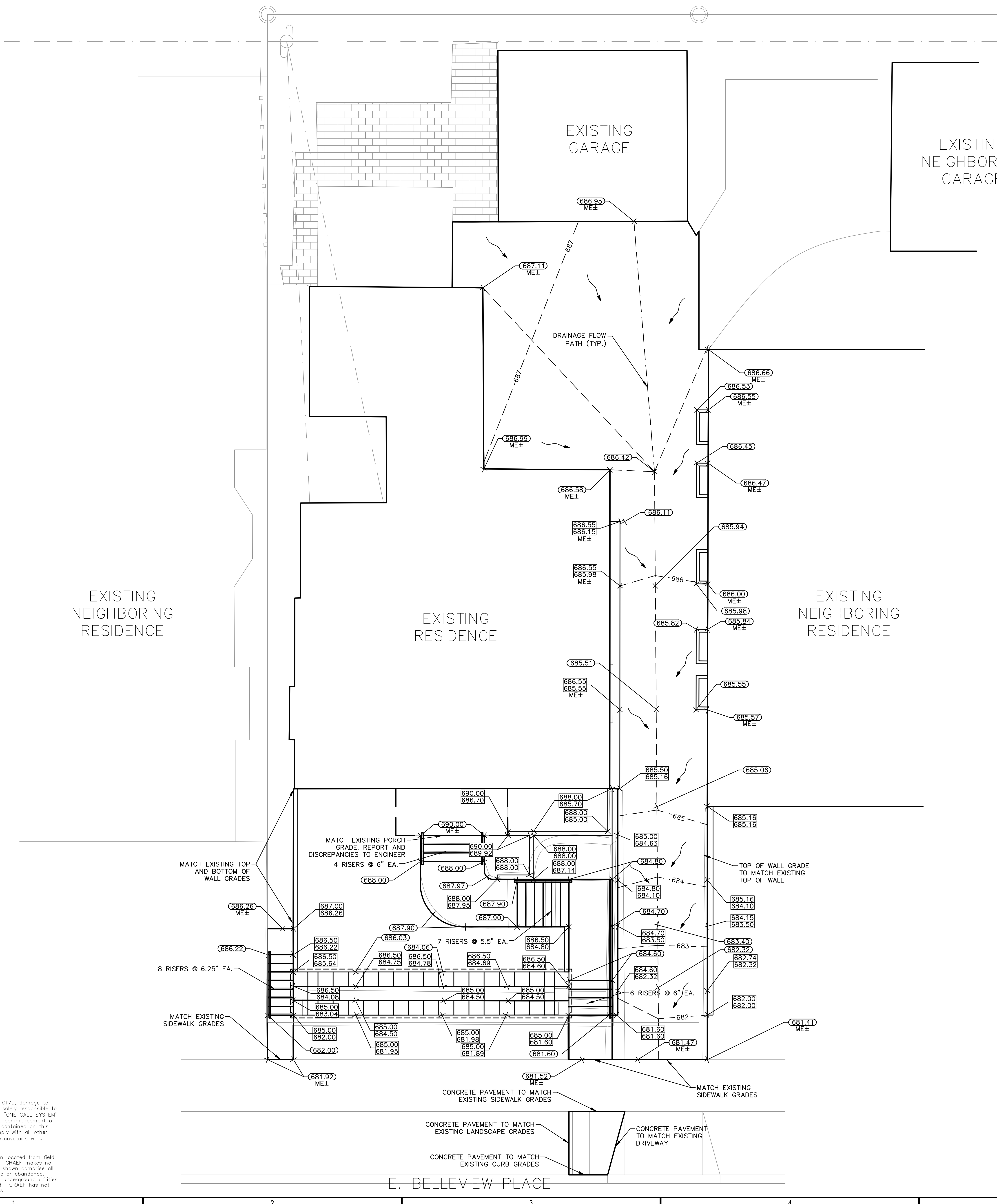
X:\ML\2021\20210354\Design\Files\Civil\00C_00_C300_SiteLayout&MaterialsPlan_0354 1/6/2022 4:01 PM

CONSTRUCTION DOCUMENTS



GENERAL NOTES

1. THE BASE SURVEY WAS PREPARED BY METROPOLITAN SURVEY SERVICES IN 2021. ALL UNDERGROUND UTILITIES AND STRUCTURES HAVE BEEN SHOWN TO A REASONABLE DEGREE OF ACCURACY AND IT SHALL BE THE CONTRACTOR'S RESPONSIBILITY TO VERIFY THEIR EXACT LOCATION AND TO AVOID DAMAGE THERETO.
2. CONTRACTOR SHALL VERIFY LOCATION OF WORK AND REPORT ANY DISCREPANCIES TO THE ENGINEER PRIOR TO COMMENCING WORK.
3. TOP OF WALL GRADES ARE TO BOTTOM OF COPING. BOTTOM OF WALL GRADES ARE TO FINISHED GRADE OF ADJACENT LAWN OR PAVEMENT.



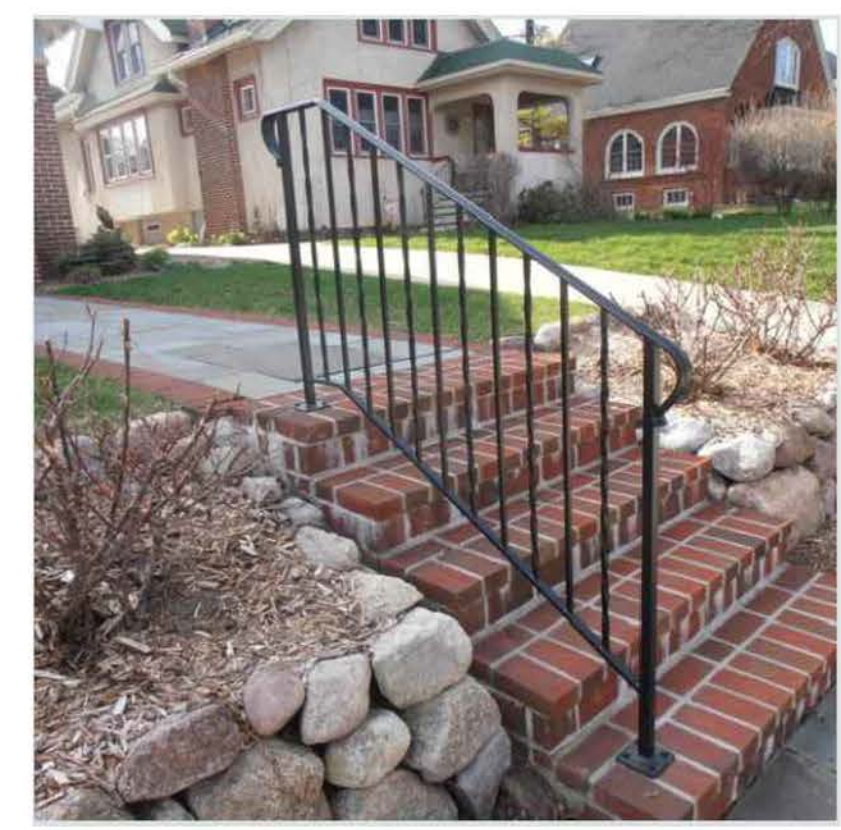
NOTICE:
 In accordance with Wisconsin statute 182.0175, damage to transmission facilities, excavator shall be solely responsible to provide advance notice to the designated "ONE CALL SYSTEM" not less than three working days prior to commencement of any excavation required to perform work contained on this drawing, and further, excavator shall comply with all other requirements of this statute relative to excavator's work.

DISCLAIMER:
 The underground utilities shown have been located from field survey information and existing drawings. GRAEF makes no guarantee that the underground utilities shown comprise all such utilities in the area, either in service or abandoned. GRAEF further does not warrant that the underground utilities shown are in the exact location indicated. GRAEF has not physically located the underground utilities.

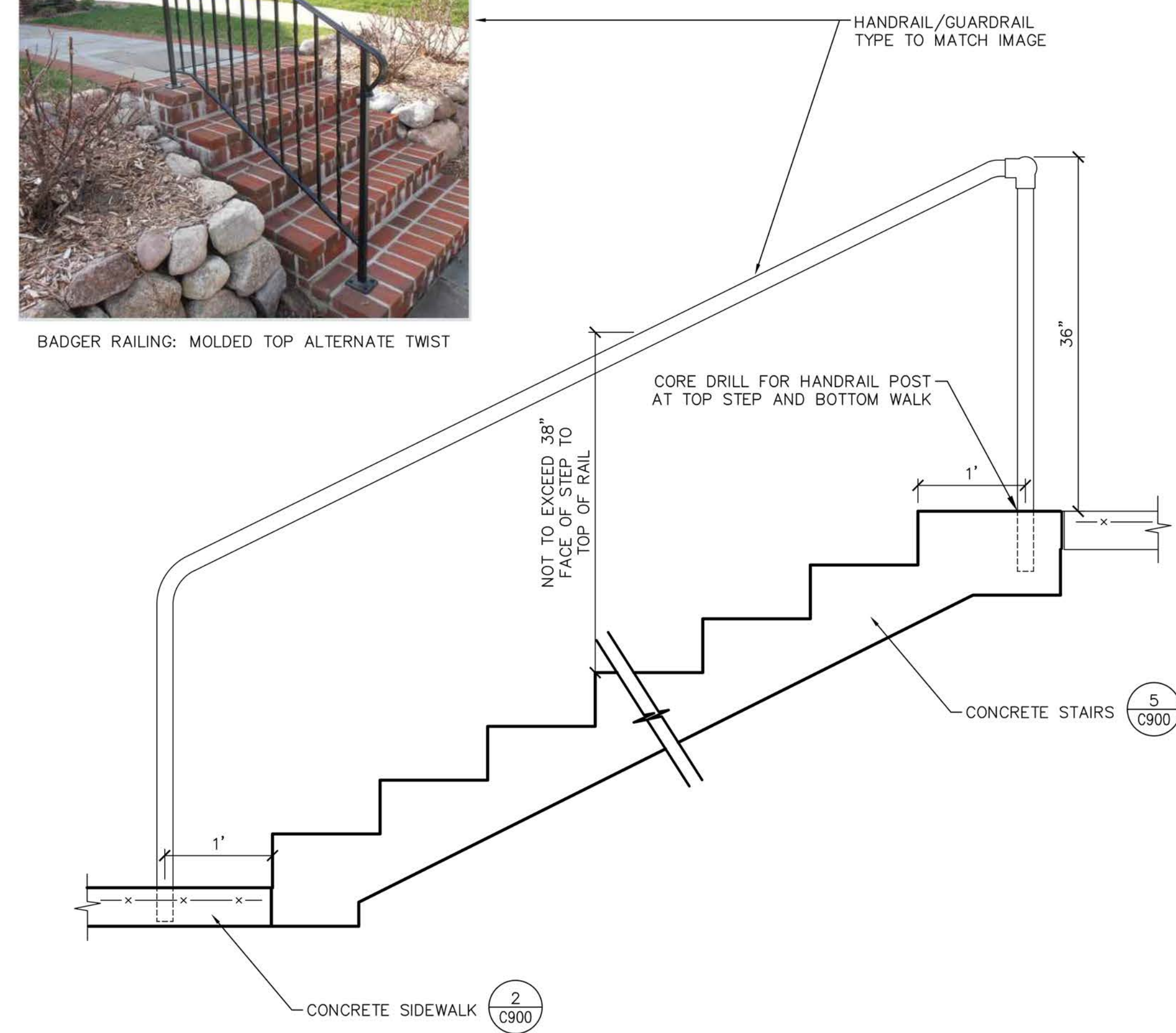
X:\MIL\2021\20210354\Design\Design\Civil\00_C400_SiteGradingPlan_0354 1/4/2022 3:08 PM

NOTES:
CONTRACTOR SHALL INSTALL FIVE HANDRAILS AND ONE GUARDRAIL TOTAL. ALLOW A MINIMUM OF 3" CLEARANCE (MAXIMUM 4-1/2") FROM THE EDGE OF CONCRETE TO THE CENTER OF THE HANDRAIL. HANDRAILS SHALL BE PROVIDED FOR ALL NEWLY CONSTRUCTED STAIRS (REFER TO SITE LAYOUT PLAN FOR LOCATIONS).

HANDRAIL TYPE:
MANUFACTURER = BADGER RAILING (OR APPROVED EQUAL)
MODEL = MOLDED TOP ALTERNATE TWIST (OR APPROVED EQUAL)
ALL RAILINGS TO CONFORM WITH CITY OF MILWAUKEE RESIDENTIAL CODE OF ORDINANCES.

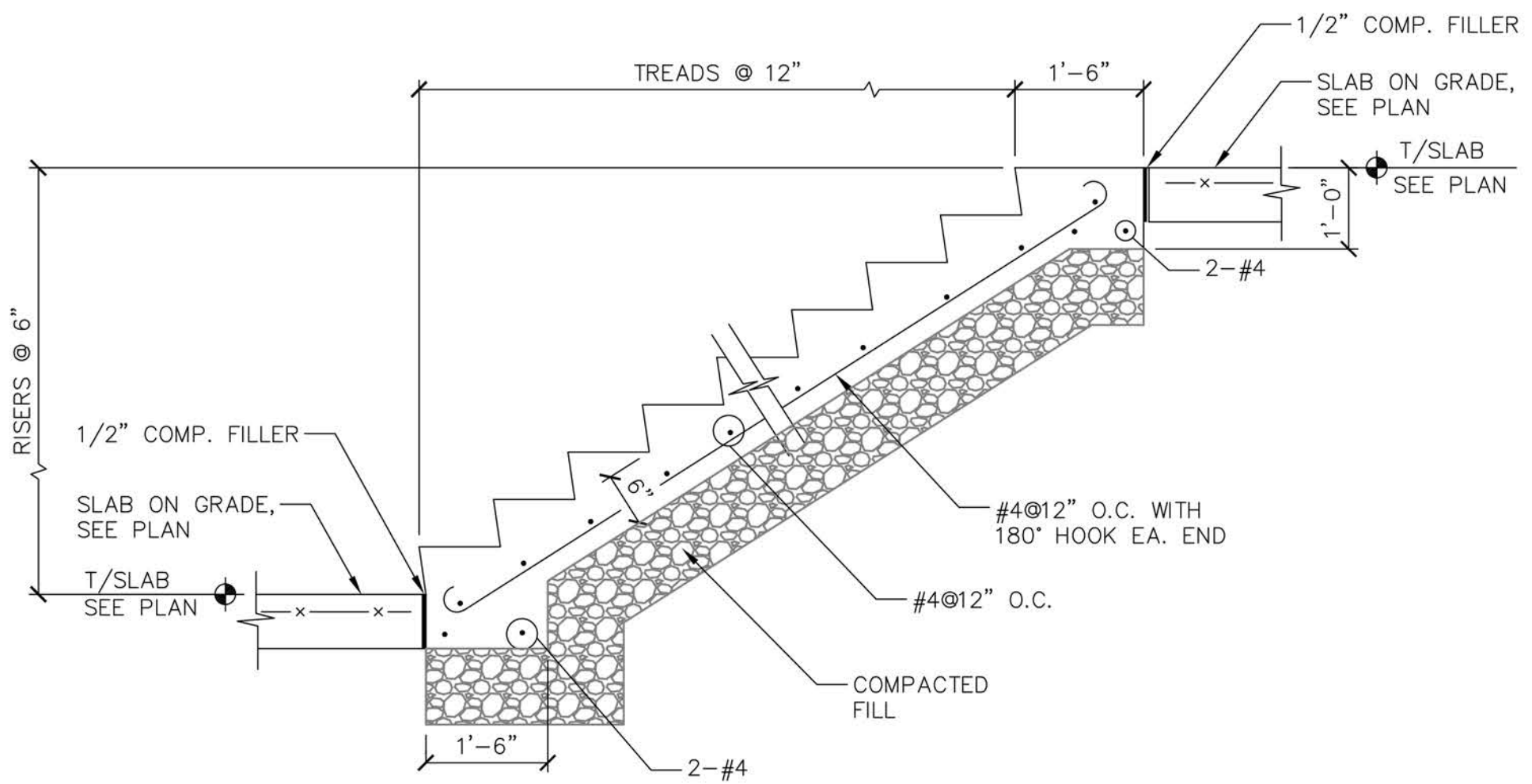


BADGER RAILING: MOLDED TOP ALTERNATE TWIST



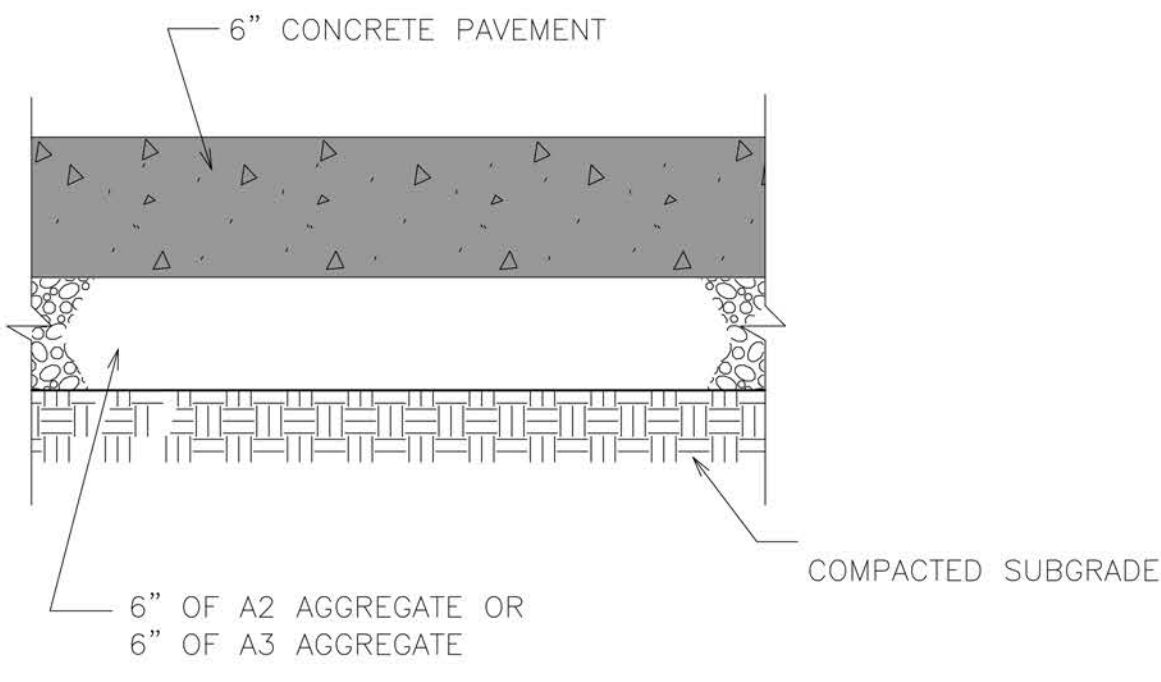
7 HANDRAIL MOUNTING DETAIL AT STAIRS

N.T.S.



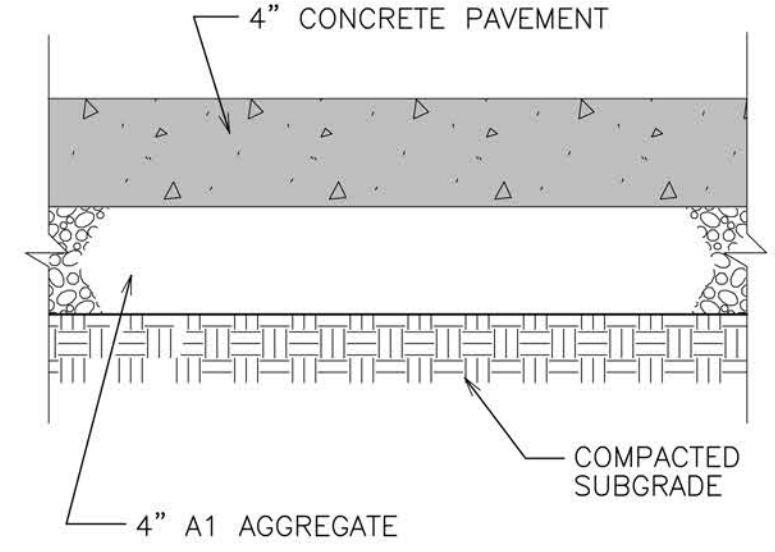
5 CONCRETE STAIR SECTION

N.T.S.



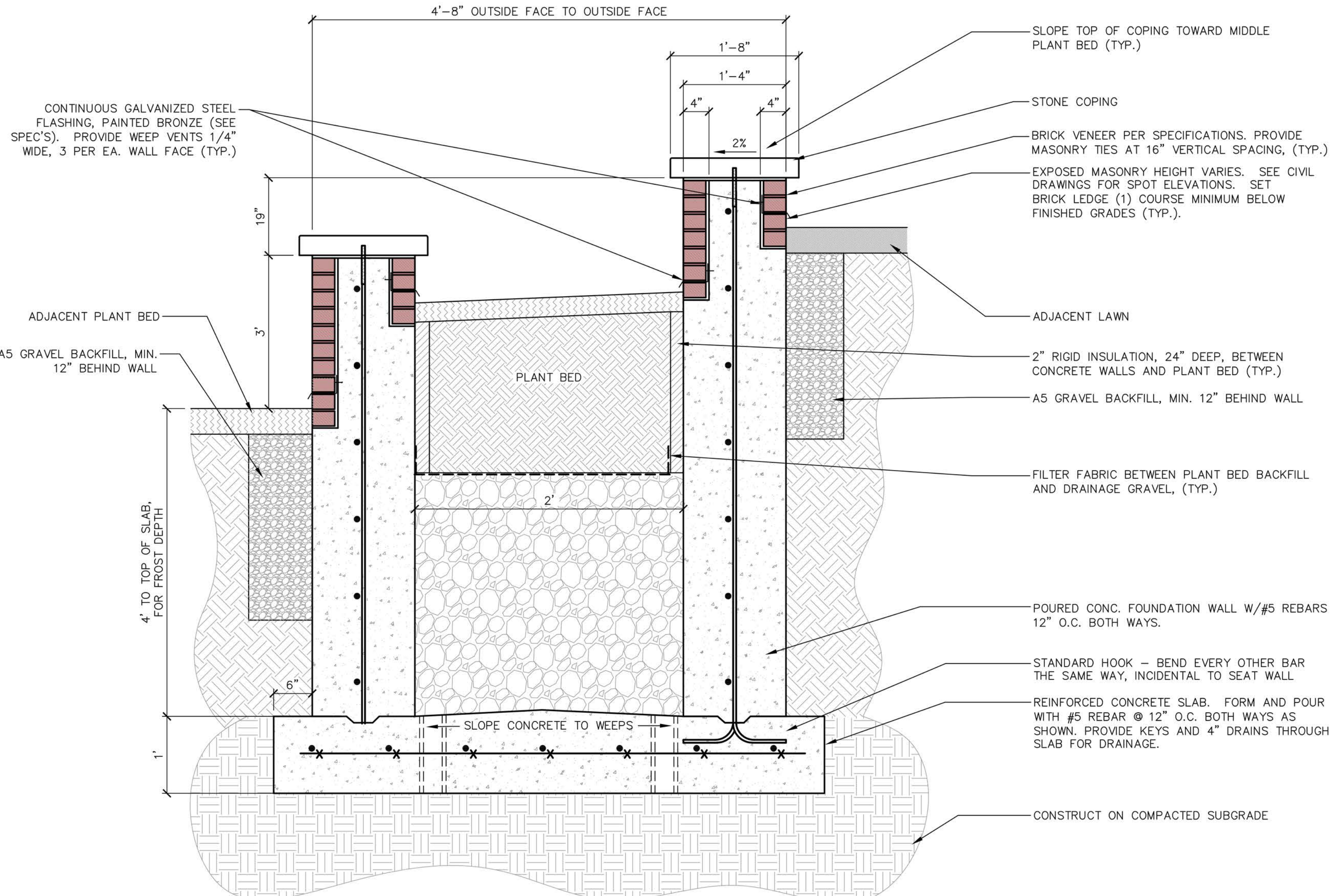
1 CONCRETE DRIVEWAY PAVEMENT

N.T.S.



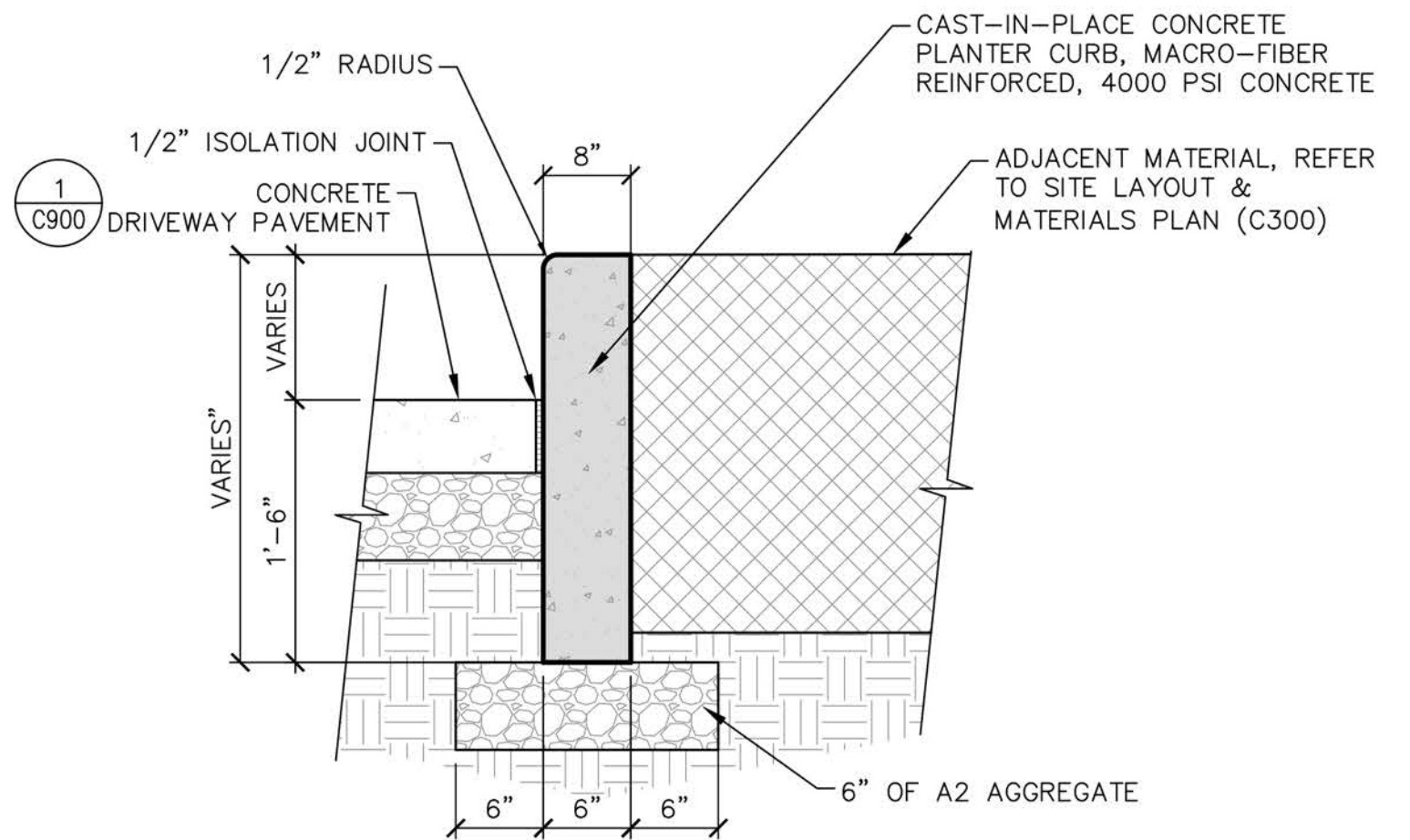
2 CONCRETE SIDEWALK

N.T.S.



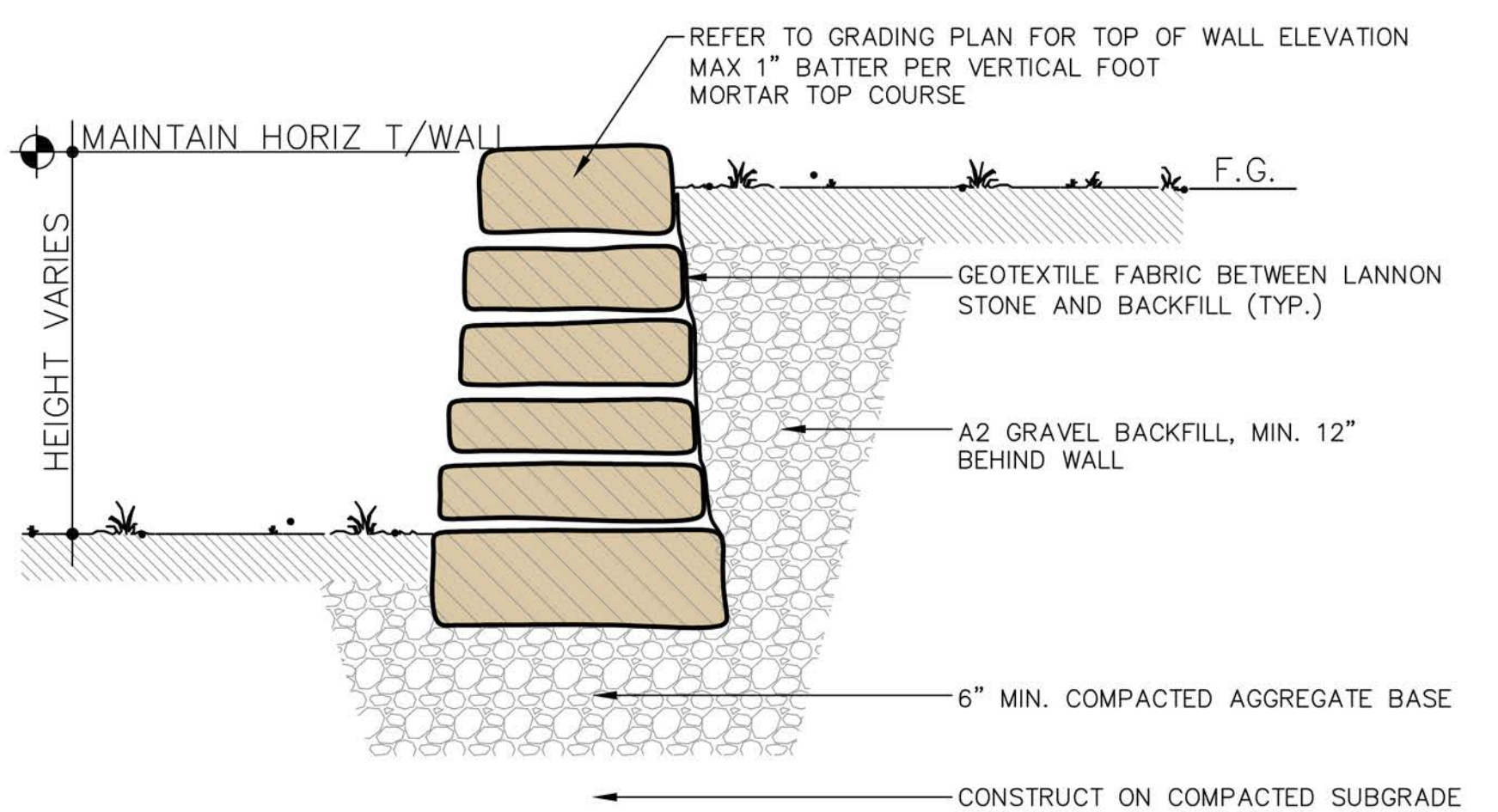
6 TYPICAL SECTION - MASONRY VENEER CONCRETE WALL

N.T.S.



3 CONCRETE CURB HEADER WALL

N.T.S.



4 TYPICAL SECTION - DRY LAID LANNON STONE RETAINING WALL

N.T.S.

NOTICE:
In accordance with Wisconsin statute 182.0175, damage to transmission facilities, excavator shall be solely responsible to provide advance notice to the designated "ONE CALL SYSTEM" not less than three working days prior to commencement of any excavation required to perform work contained on this drawing, and further, excavator shall comply with all other requirements of this statute relative to excavator's work.

DISCLAIMER:
The underground utilities shown have been located from field survey information and existing drawings. GRAEF makes no guarantee that the underground utilities shown comprise all such utilities in the area, either in service or abandoned. GRAEF further does not warrant that the underground utilities shown are in the exact location indicated. GRAEF has not physically located the underground utilities.